



US00D899537S

(12) **United States Design Patent** (10) **Patent No.:** **US D899,537 S**
Sarazen (45) **Date of Patent:** **** Oct. 20, 2020**

(54) **WEIGHT HOLDER FOR EXERCISE APPARATUS**

(71) Applicant: **FITSTICKS LLC**, Lattimore, NC (US)

(72) Inventor: **Paul Sarazen**, Lattimore, NC (US)

(73) Assignee: **FITSTICKS, LLC**, Latimore, NC (US)

(**) Term: **15 Years**

(21) Appl. No.: **29/679,046**

(22) Filed: **Feb. 1, 2019**

(51) **LOC (12) Cl.** **21-02**

(52) **U.S. Cl.**
USPC **D21/686**

(58) **Field of Classification Search**
USPC D21/662, 673, 675, 686, 694, 777, 797;
D34/1, 10
CPC B65F 1/062; B65F 2230/15; A63B
21/00047; A63B 21/16; A63B 55/50
See application file for complete search history.

(56) **References Cited**

U.S. PATENT DOCUMENTS

3,004,474	A	10/1961	Hund	
D335,560	S *	5/1993	Fennell, Jr.	D19/92
D359,826	S *	6/1995	Scarlett	D34/10
5,487,711	A	1/1996	Little	
D413,188	S *	8/1999	Whaley	D12/415
D453,542	S *	2/2002	Louiso	D21/686
D487,490	S *	3/2004	Evans	A63B 21/078 D21/686
D539,998	S *	4/2007	Andrade	D34/1
7,291,103	B1 *	11/2007	Estwanik	A61H 1/0237 482/148
D568,569	S *	5/2008	Wood	D34/1
8,360,938	B2	1/2013	Gilman	
D725,721	S *	3/2015	Azoulay	D21/662
9,192,803	B2	11/2015	Cayo	
D770,571	S	11/2016	Rahnasto	
9,789,349	B2	10/2017	Rahnasto	

D804,134	S *	11/2017	Boyea	D34/10
10,143,274	B2	12/2018	Sarazen	
D850,746	S *	6/2019	Feng	D34/1
D851,851	S *	6/2019	Grant	D34/1
D857,324	S *	8/2019	Grant	D34/1
D875,855	S *	2/2020	Sandoval	D21/691
2011/0224051	A1	9/2011	Larish	

(Continued)

OTHER PUBLICATIONS

Fitsticks, "Fitsticks", Jun. 26, 2020. <https://fitsticks.com/training/>.
Shown on p. 1. (Year: 2020).*

(Continued)

Primary Examiner — Cynthia Ramirez
Assistant Examiner — Michael A Maharajh
(74) *Attorney, Agent, or Firm* — J. Bennett Mullinax, LLC

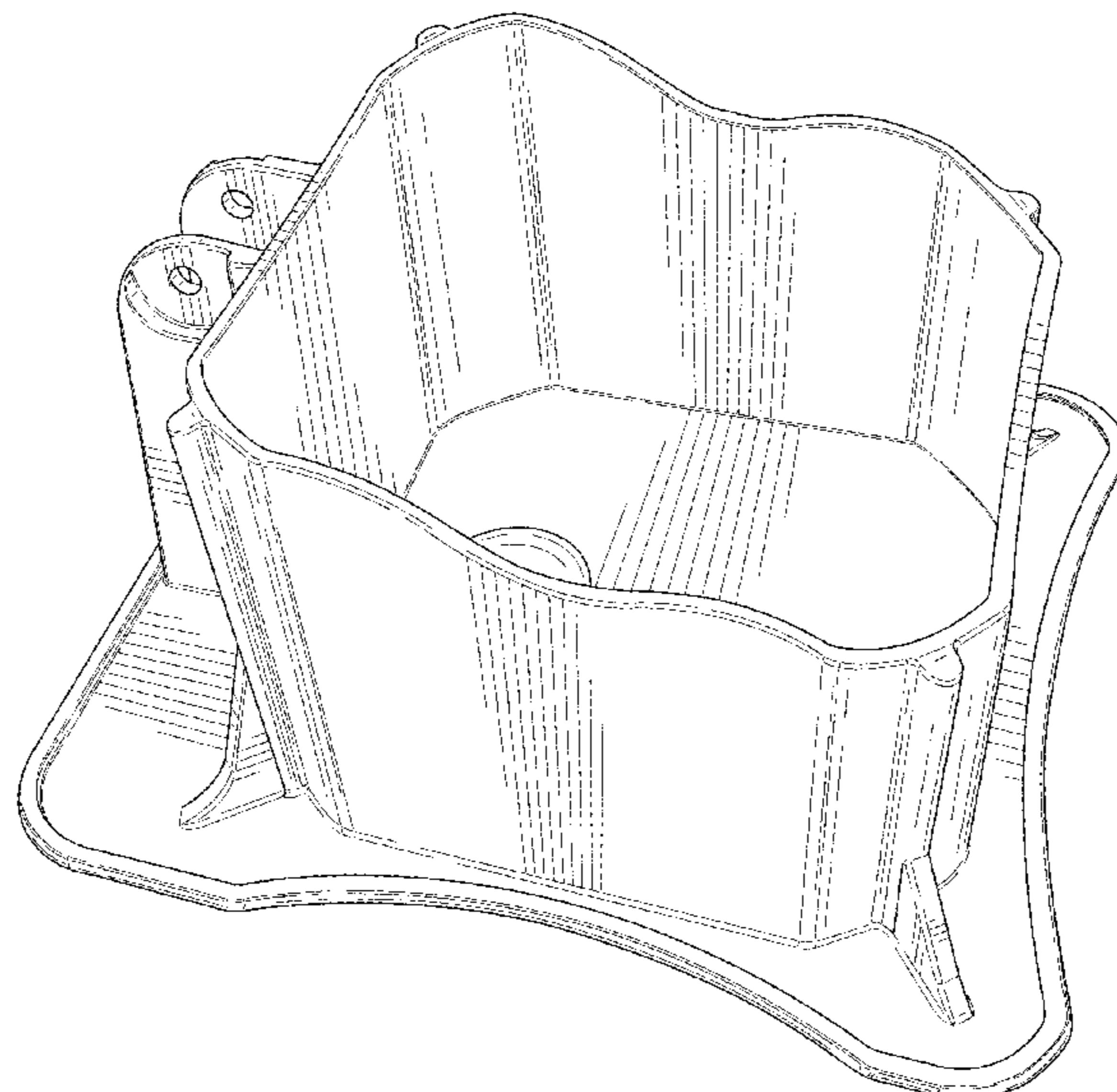
(57) **CLAIM**

The ornamental design for a weight holder for exercise apparatus, as shown and described.

DESCRIPTION

FIG. 1 is an upper perspective view of the weight holder for exercise apparatus as shown in FIG. 1;
FIG. 2 is a front view of the weight holder for exercise apparatus as shown in FIG. 1;
FIG. 3 is a rear view of the weight holder for exercise apparatus as shown in FIG. 1;
FIG. 4 is a right side view of the weight holder for exercise apparatus as shown in FIG. 1;
FIG. 5 is a left side view of the weight holder for exercise apparatus as shown in FIG. 1;
FIG. 6 is a top view of the weight holder for exercise apparatus as shown in FIG. 1; and,
FIG. 7 is a bottom view of the weight holder for exercise apparatus as shown in FIG. 1.

1 Claim, 6 Drawing Sheets



(56)

References Cited

U.S. PATENT DOCUMENTS

2013/0012358 A1* 1/2013 Lynn A63B 21/025
482/8
2013/0143693 A1 6/2013 Forrest, Sr.
2017/0189733 A1 7/2017 Bentley
2017/0326402 A1 11/2017 Sorin

OTHER PUBLICATIONS

<http://www.flurocarbon.co.uk/news-and-events/post/18/what-is-ultra-high-molecular-weight-polyethyiene-uhmwpe> achived: Apr. 10, 2017
retrived Jun. 26, 2018.

* cited by examiner

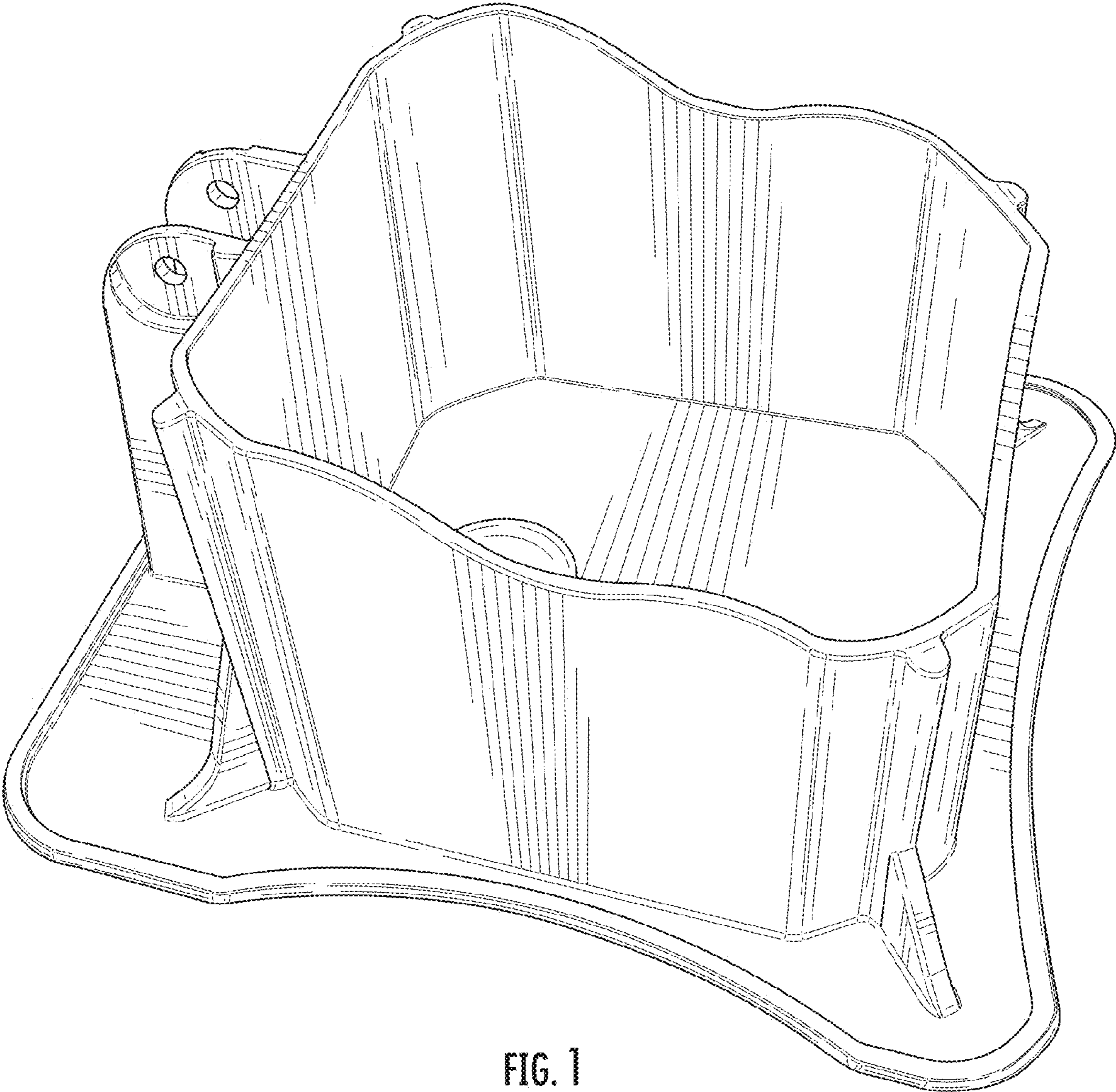


FIG. 1

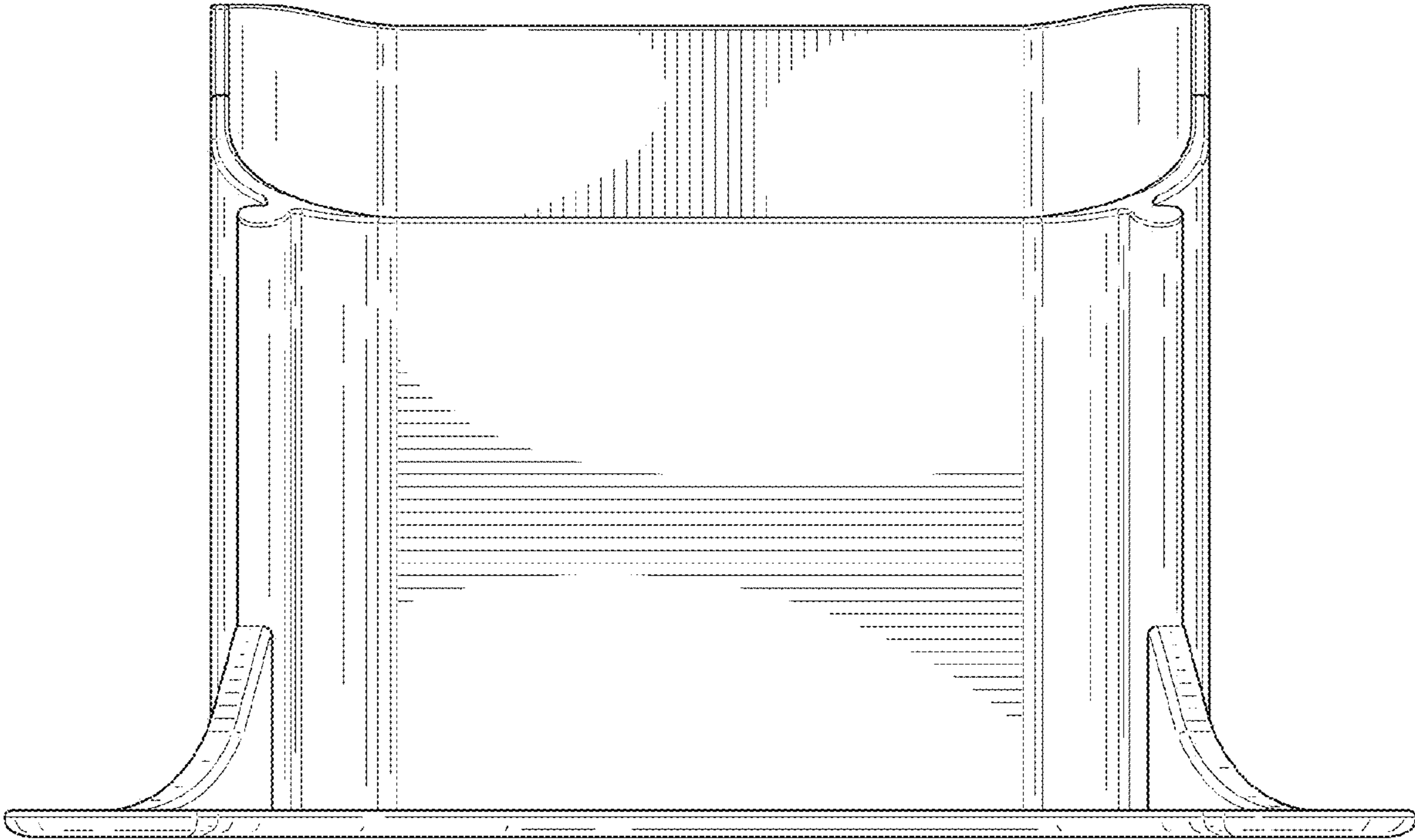


FIG. 2

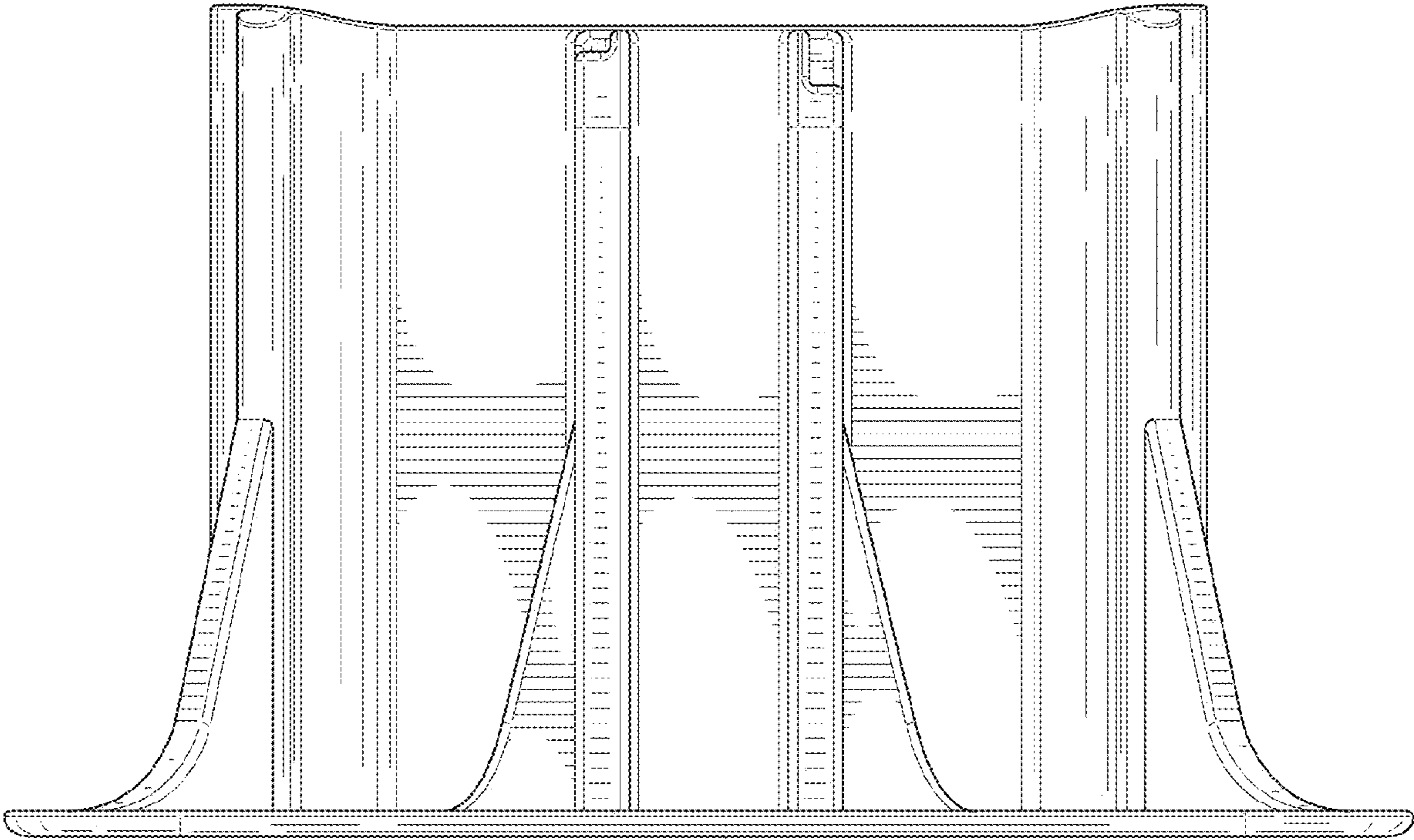


FIG. 3

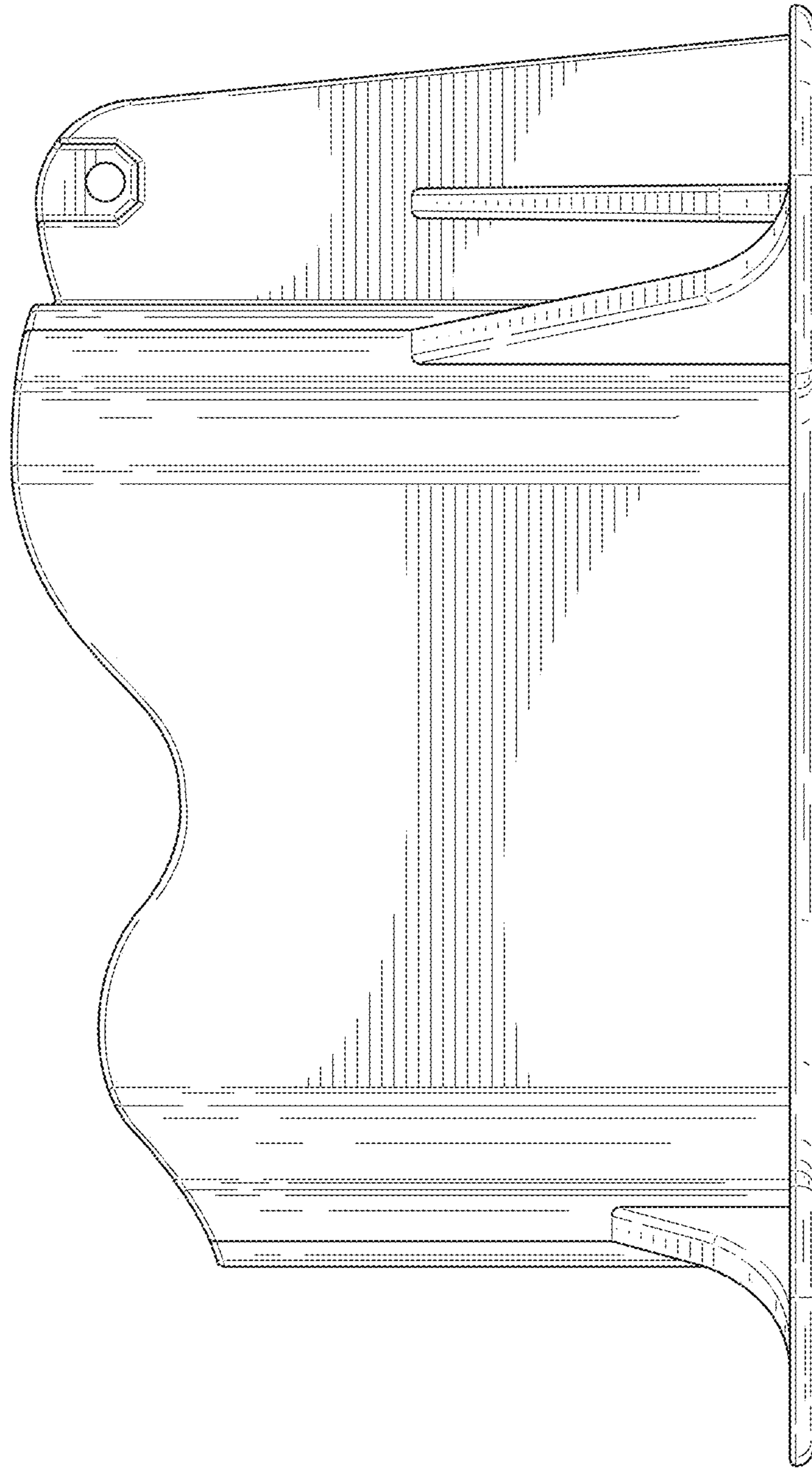


FIG. 4

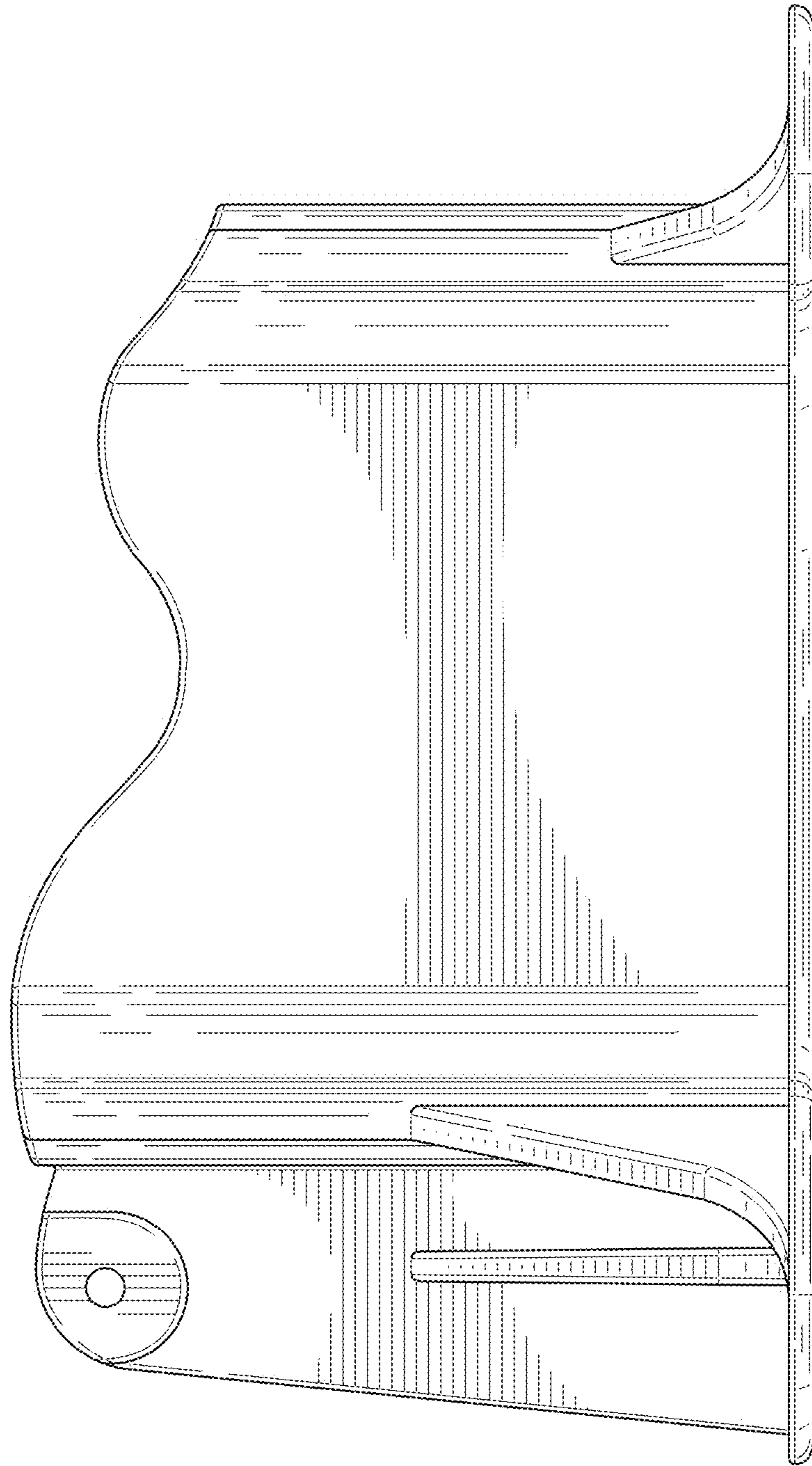


FIG. 5

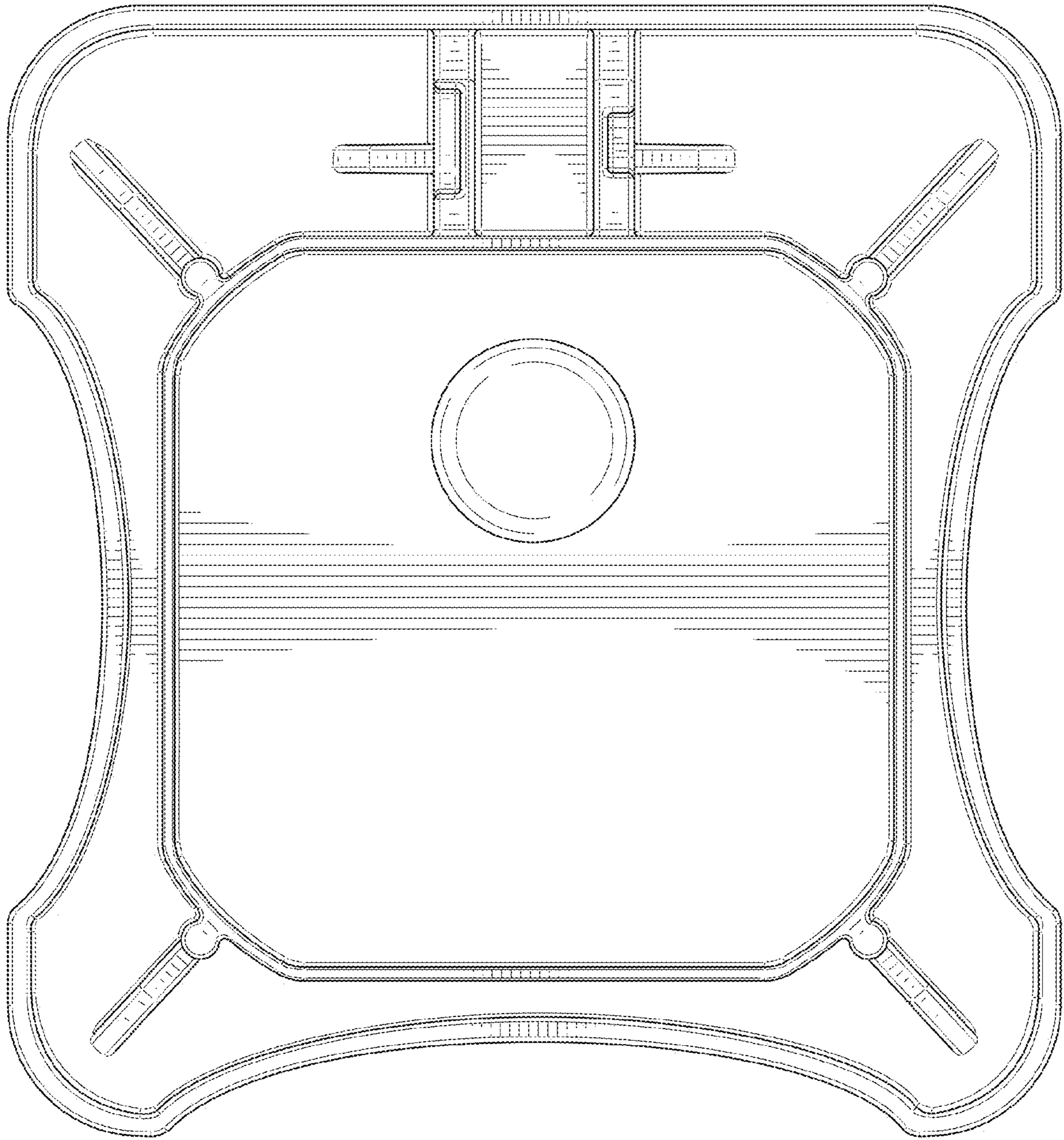


FIG. 6

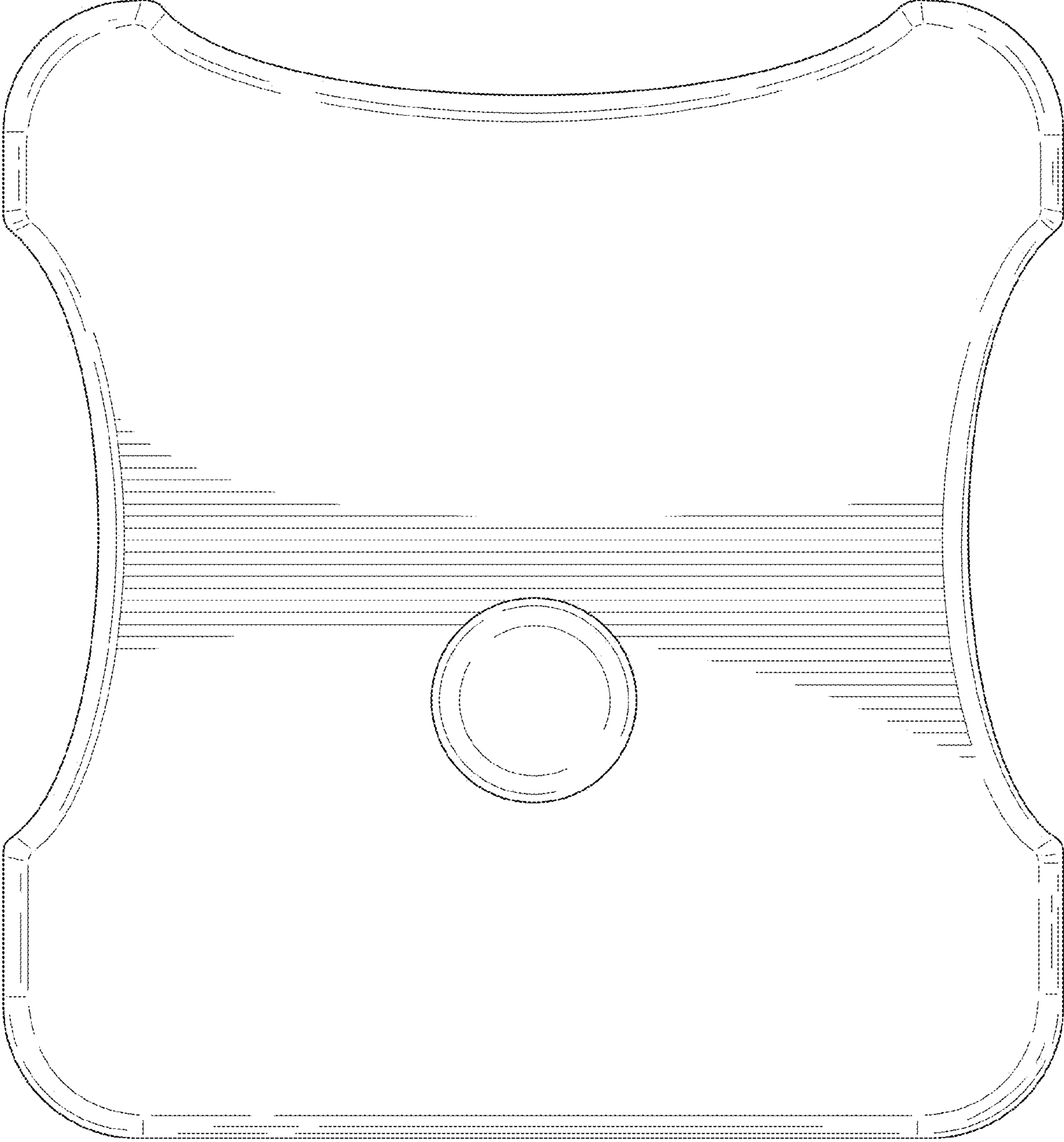


FIG. 7