



US00D899534S

(12) **United States Design Patent** (10) **Patent No.:** **US D899,534 S**  
**Chuang** (45) **Date of Patent:** **\*\* Oct. 20, 2020**

(54) **FITNESS DEVICE**

(71) Applicant: **Lung-Fei Chuang**, Taichung (TW)

(72) Inventor: **Lung-Fei Chuang**, Taichung (TW)

(\*\*) Term: **15 Years**

(21) Appl. No.: **29/677,427**

(22) Filed: **Jan. 21, 2019**

(30) **Foreign Application Priority Data**

Sep. 13, 2018 (CN) ..... 2018 3 0515053

(51) **LOC (12) Cl.** ..... **21-02**

(52) **U.S. Cl.**  
USPC ..... **D21/667**

(58) **Field of Classification Search**  
USPC ..... D21/662, 665, 667, 671, 673, 675, 686,  
D21/687, 690, 694  
CPC ..... A63B 21/00076; A63B 21/4049; A63B  
21/225; A63B 22/0046; A63B 22/203;  
A63B 22/205; A63B 21/156

See application file for complete search history.

(56) **References Cited**

**U.S. PATENT DOCUMENTS**

D319,479 S *	8/1991	Hur-Aoun .....	D21/665
D358,437 S *	5/1995	Wang .....	D21/665
D398,669 S *	9/1998	Anderson .....	D21/662
D410,712 S *	6/1999	Giger .....	D21/665
D499,457 S *	12/2004	Kuo .....	D21/690
D636,826 S *	4/2011	Chan .....	D21/663
D667,513 S *	9/2012	Lee .....	D21/690
D703,280 S *	4/2014	Ho .....	D21/687
2005/0233874 A1 *	10/2005	Bucay-Bissu ....	A63B 21/00072 482/112

2007/0015633 A1 *	1/2007	Gerschefske .....	A63B 22/001 482/52
2008/0300113 A1 *	12/2008	Battiston .....	A63B 21/4049 482/51
2016/0082314 A1 *	3/2016	Skrashevskiy .....	A63B 23/1263 482/62
2017/0043202 A1 *	2/2017	Chuang .....	A63B 21/156
2017/0043203 A1 *	2/2017	Chuang .....	A63B 21/4035
2018/0185698 A1 *	7/2018	Anderson .....	A63B 22/205
2020/0086169 A1 *	3/2020	Chuang .....	A63B 22/0605

\* cited by examiner

*Primary Examiner* — Cynthia Ramirez

*Assistant Examiner* — Michael A Maharajh

(74) *Attorney, Agent, or Firm* — CKC & Partners Co., LLC

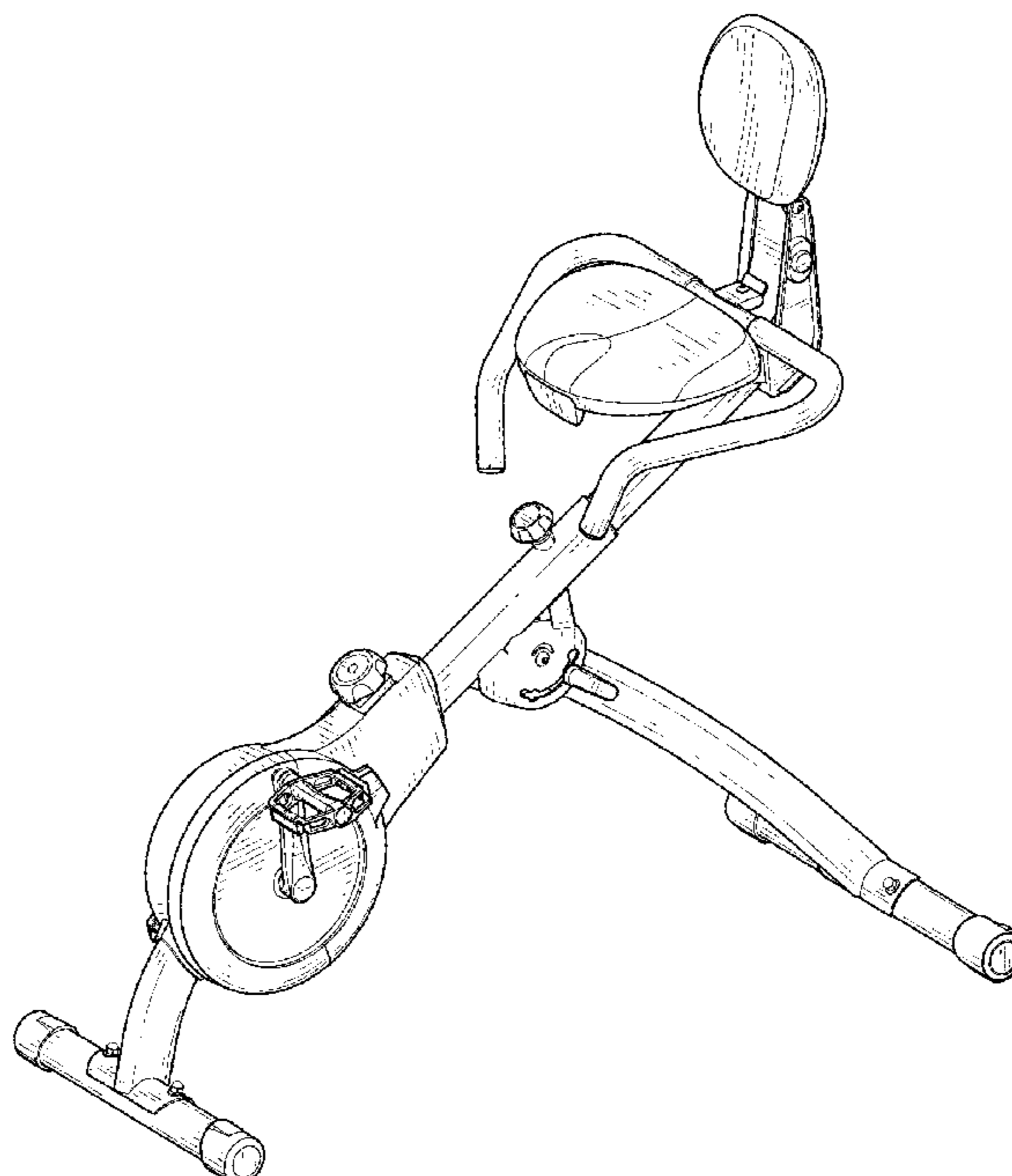
(57) **CLAIM**

The ornamental design for a fitness device, as shown and described.

**DESCRIPTION**

FIG. 1 is a perspective view of a fitness device showing my new design;  
 FIG. 2 is a front view thereof;  
 FIG. 3 is a back view thereof;  
 FIG. 4 is a left side view thereof;  
 FIG. 5 is a right side view thereof;  
 FIG. 6 is a top view thereof;  
 FIG. 7 is a bottom view thereof; and,  
 FIG. 8 is another perspective view thereof.  
 The broken lines shown in the figures are for the purpose of illustrating portions of the fitness device, which form no part of the claimed design.

**1 Claim, 8 Drawing Sheets**



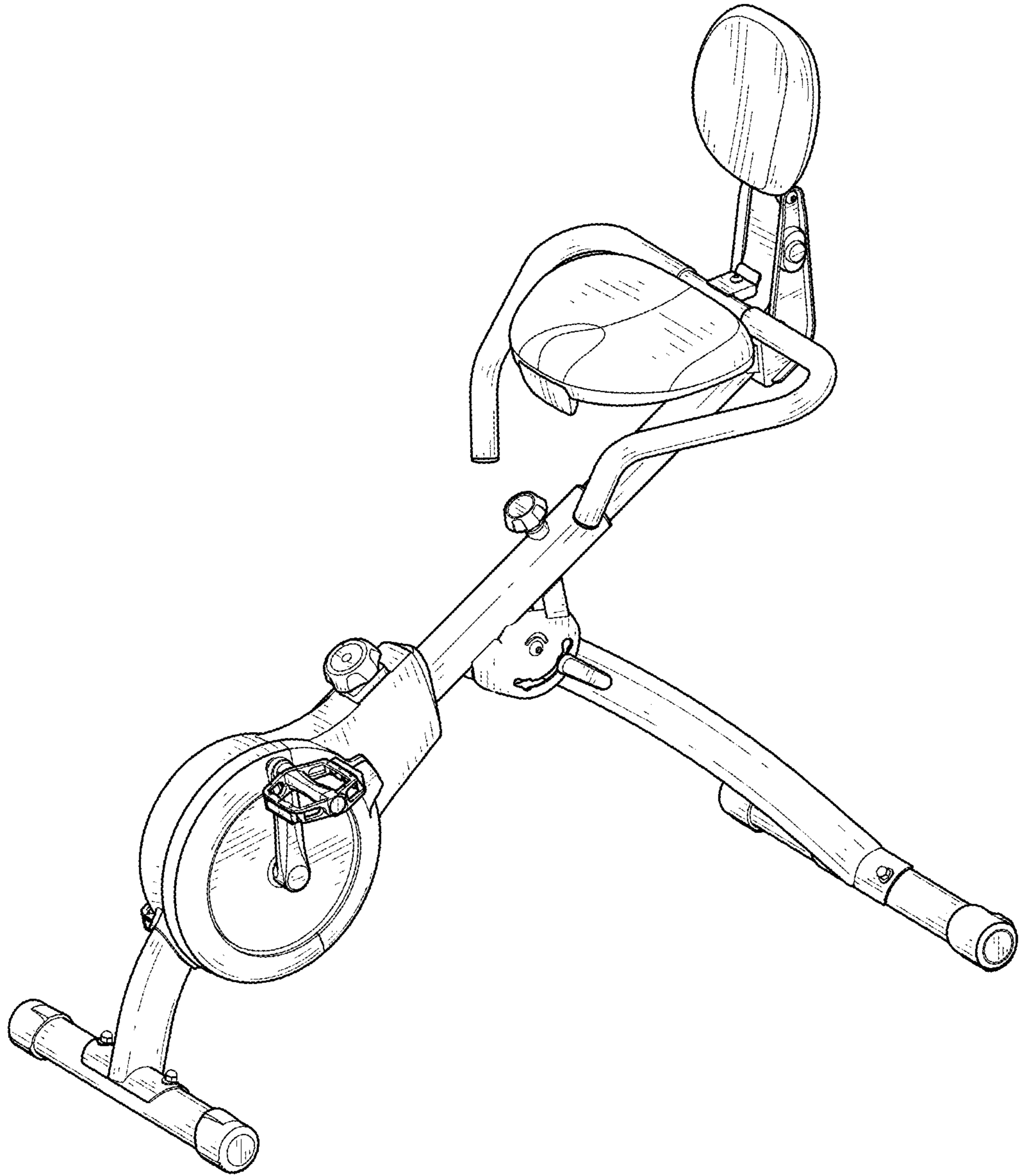


Fig. 1

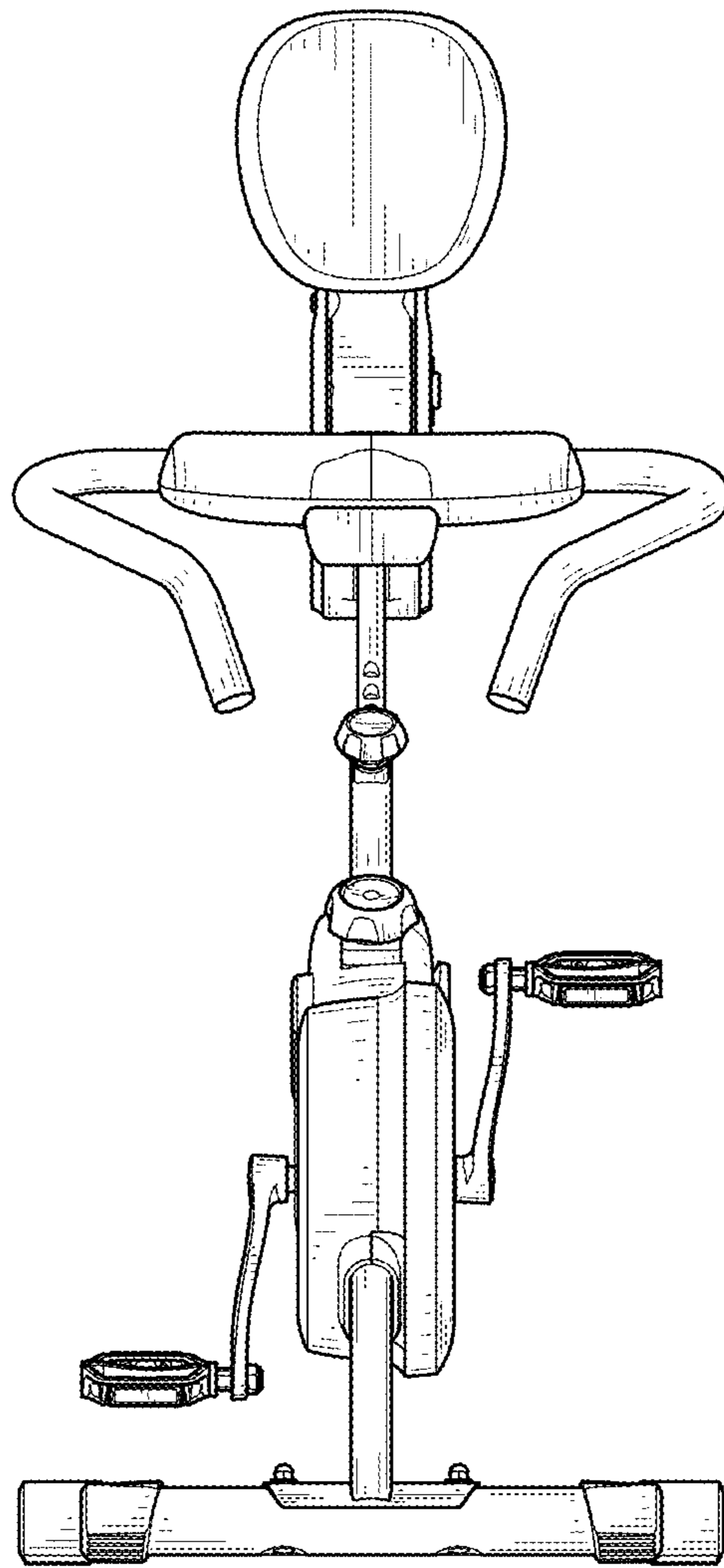


Fig. 2

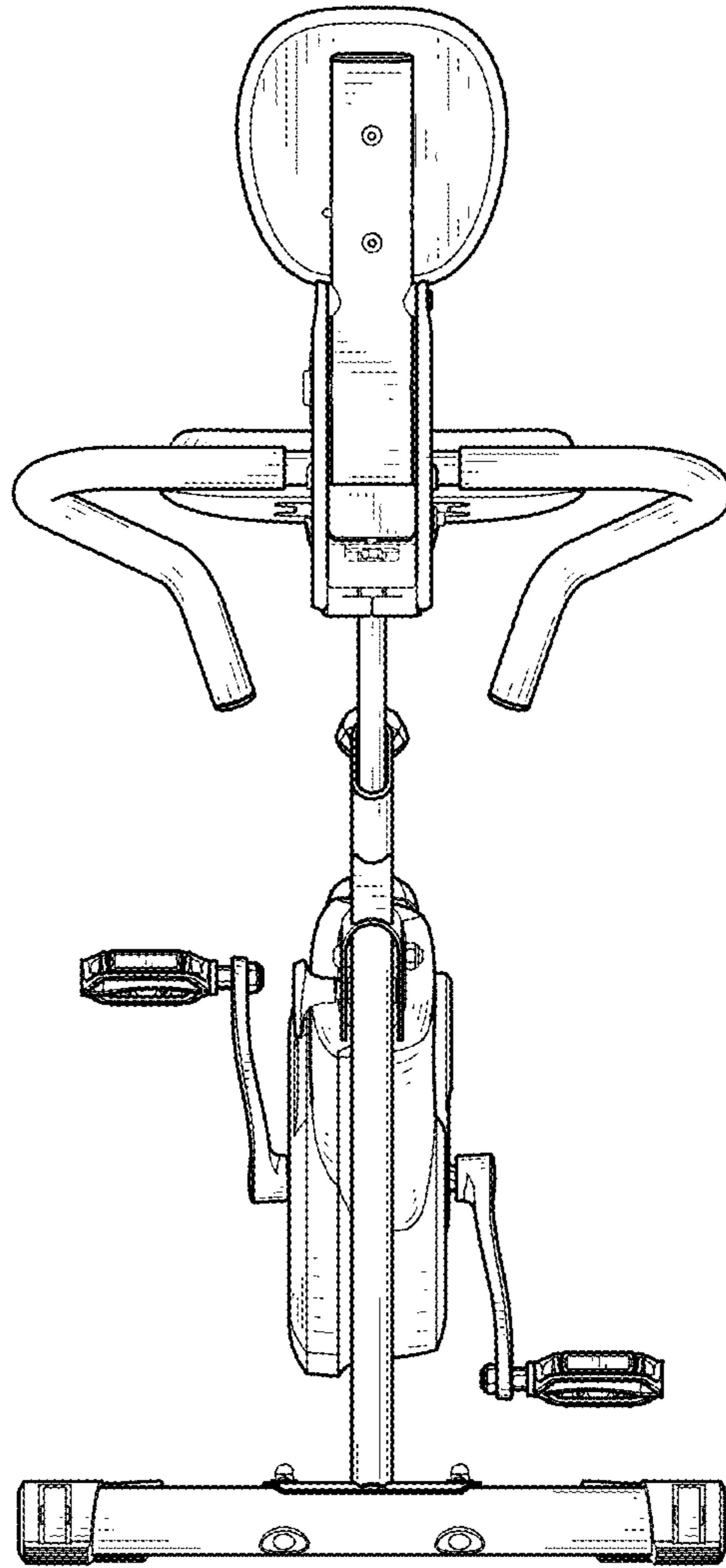


Fig. 3

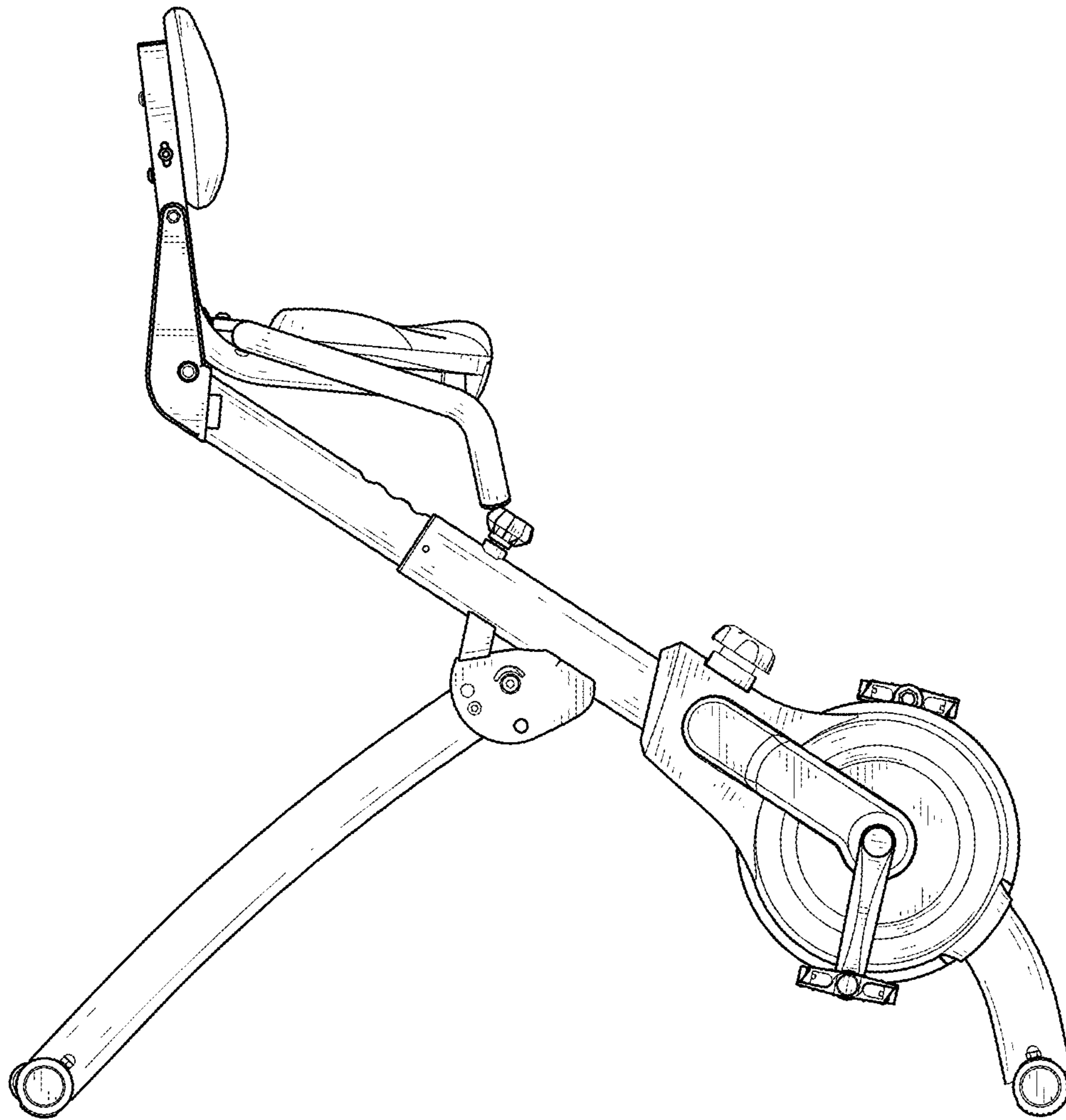


Fig. 4

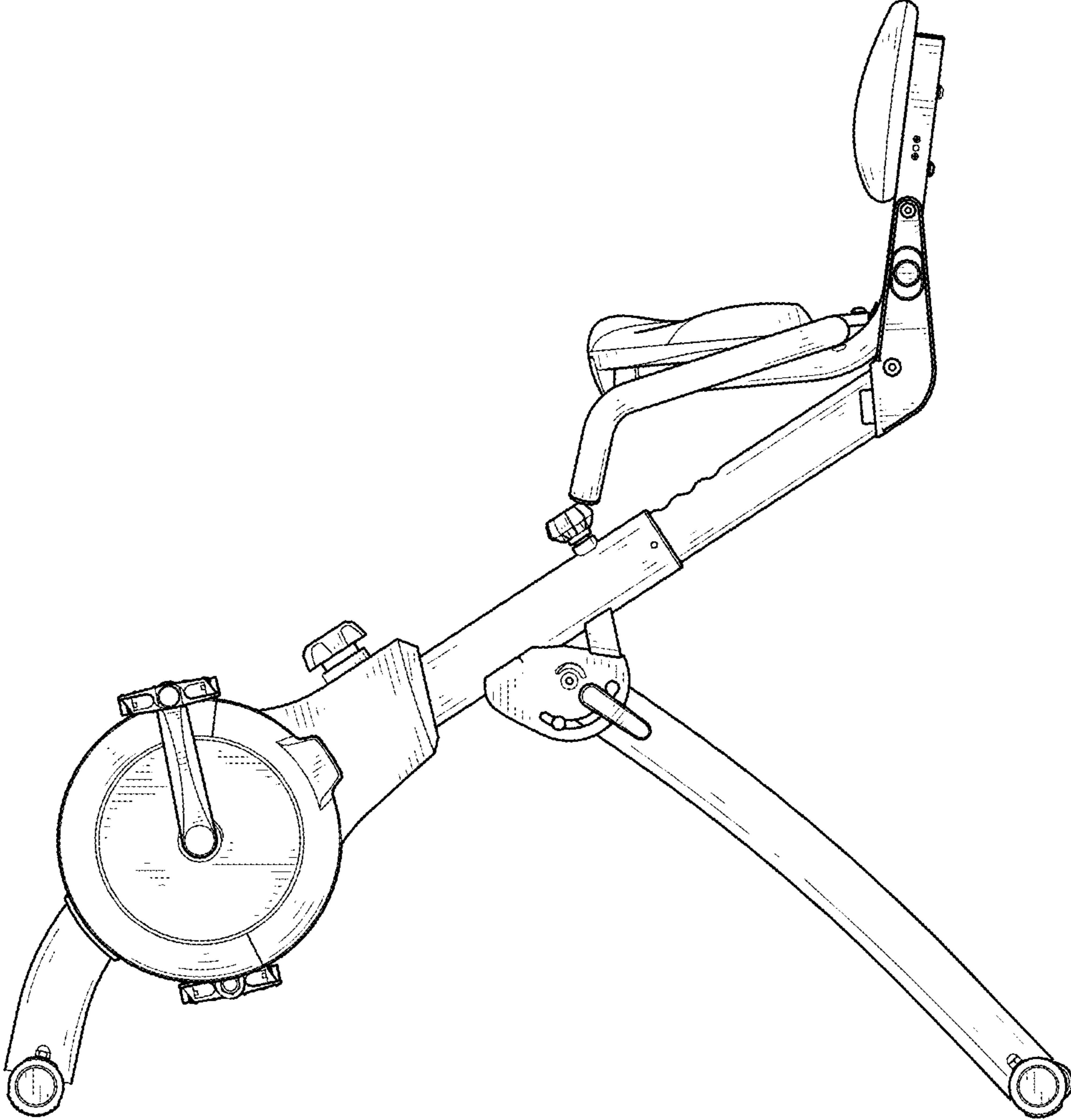


Fig. 5

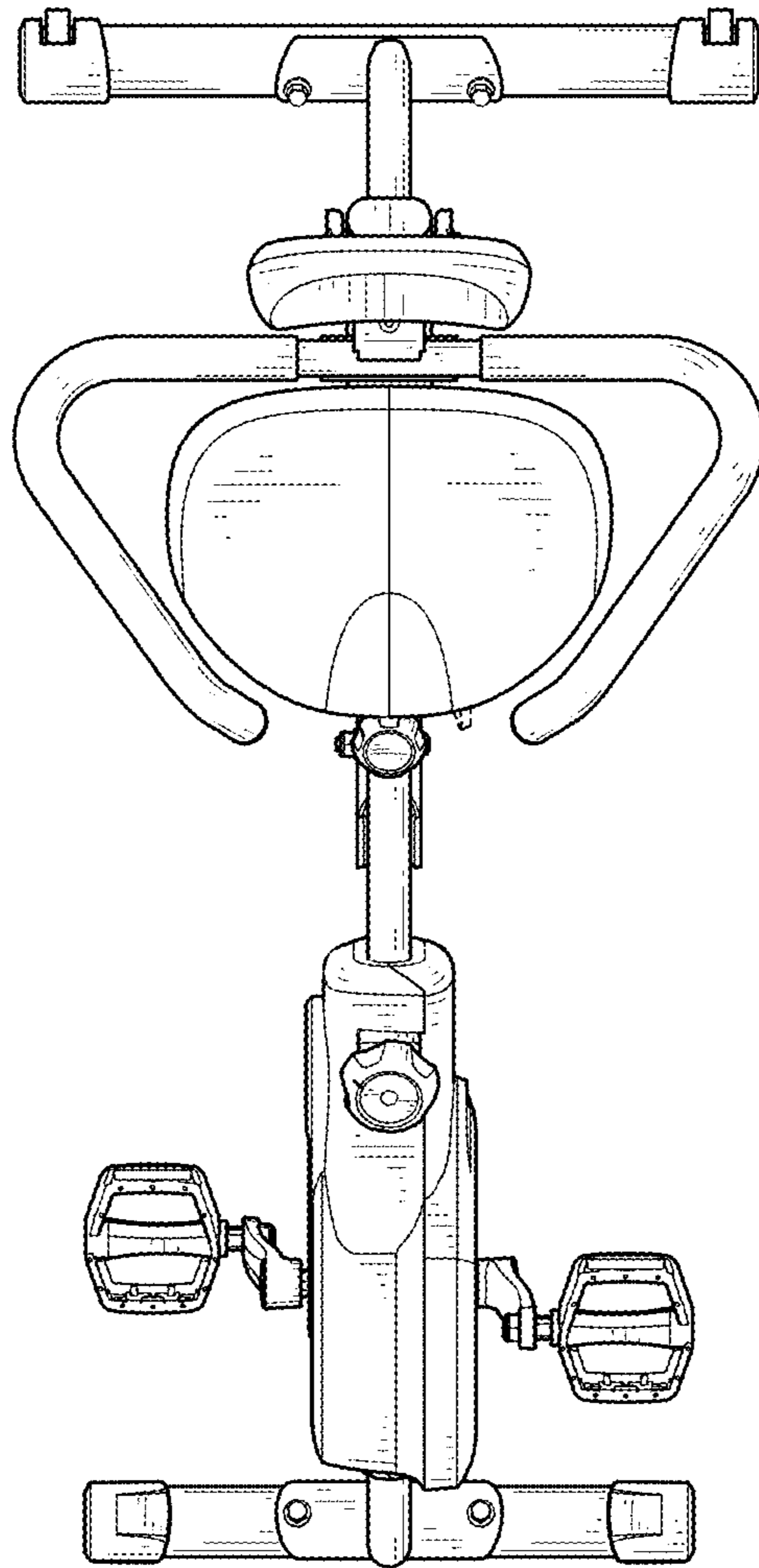


Fig. 6

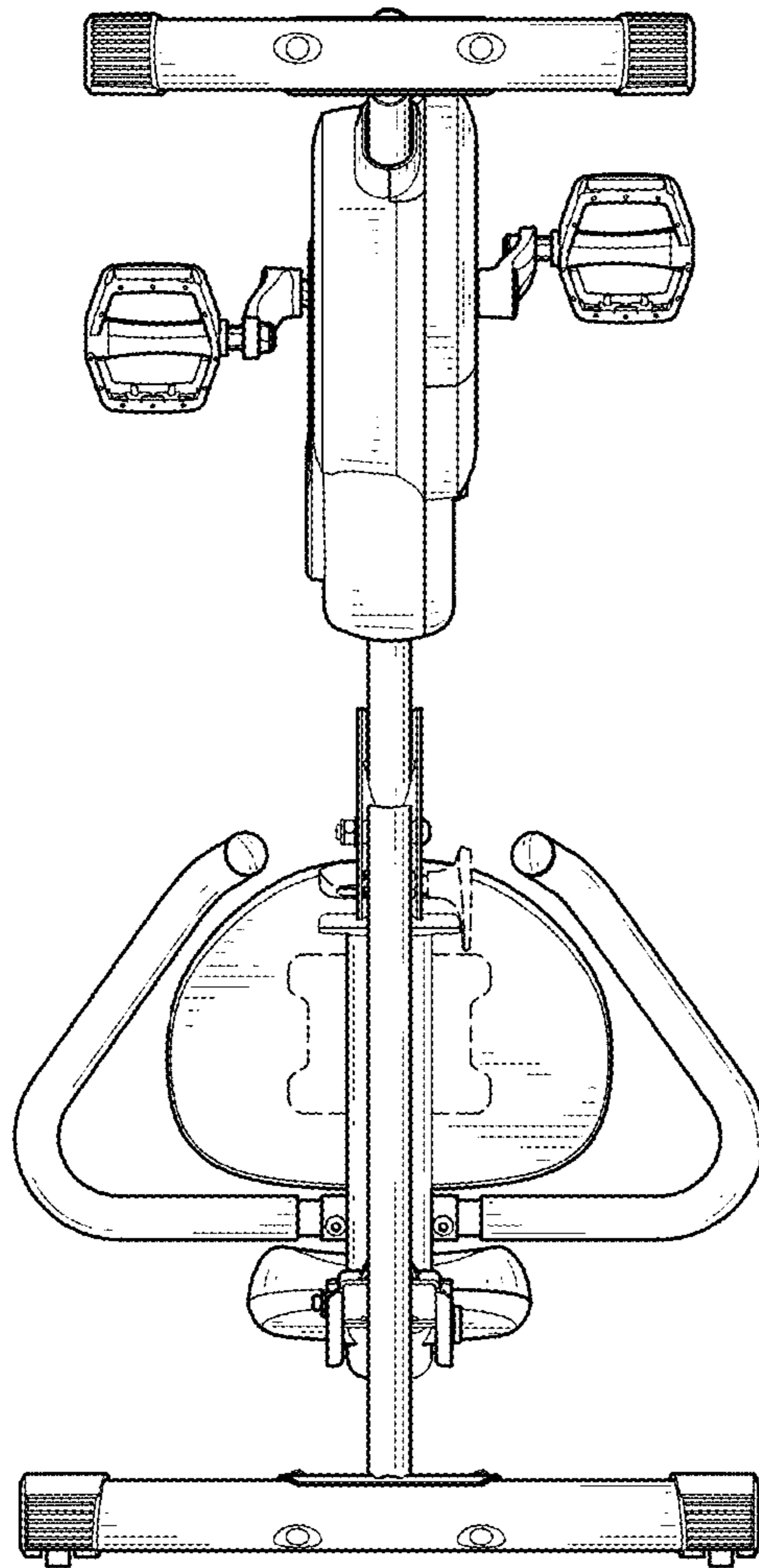


Fig. 7



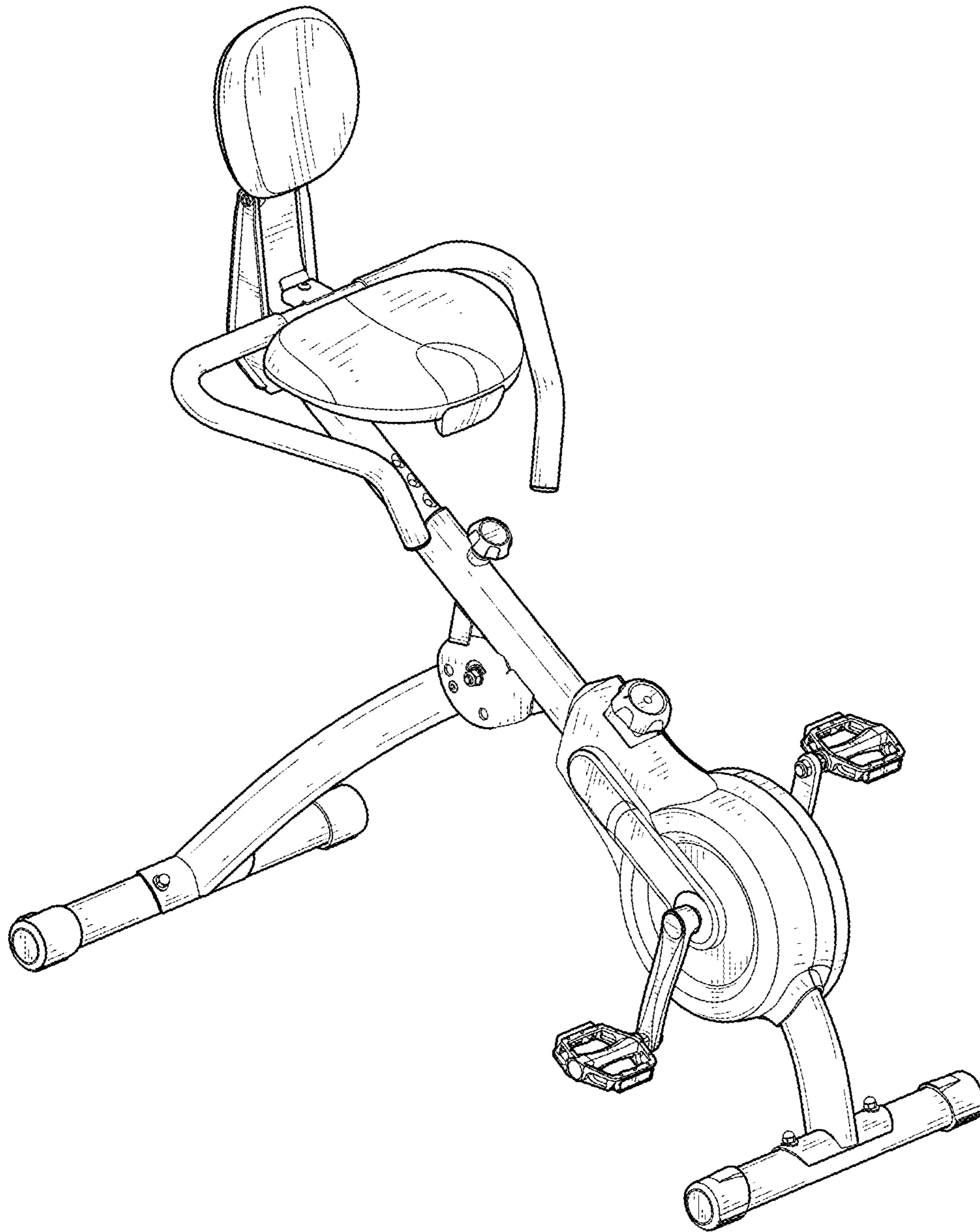


Fig. 8