



US00D899533S

(12) **United States Design Patent** (10) **Patent No.:** **US D899,533 S**
Chiu (45) **Date of Patent:** **** Oct. 20, 2020**

(54) **YOGA CIRCLE**
(71) Applicant: **Pei-Jung Chiu**, Lukang Township,
Changhua County (TW)
(72) Inventor: **Pei-Jung Chiu**, Lukang Township,
Changhua County (TW)
(**) Term: **15 Years**
(21) Appl. No.: **29/689,973**
(22) Filed: **May 3, 2019**
(51) **LOC (12) Cl.** **21-02**
(52) **U.S. Cl.**
USPC **D21/662; D21/680**
(58) **Field of Classification Search**
USPC D8/34, 108, 303, 321, 355; D11/210,
D11/212, 216, 218; D12/175, 177;
D21/662, 680, 694
CPC A63B 21/0724
See application file for complete search history.

D773,174 S * 12/2016 Okuma D3/26
D811,018 S * 2/2018 Toolan D30/160
D812,234 S * 3/2018 Miller D24/188
10,016,649 B2 * 7/2018 Widerman A63B 21/4035
2006/0199709 A1 * 9/2006 Shepherd A63B 23/1281
482/109

OTHER PUBLICATIONS

“Zen Ring (Wave Stretch Exercise)” Jul. 30, 2011, YouTube, site visited May 20, 2020: <https://youtu.be/WZwVPOhWB2Q> (Year: 2011).
“Munchkin Twisty Figure 8 Teether Toy” Mar. 26, 2012, Amazon. Com, site visited Jun. 17, 2020: <https://www.amazon.co.uk/dp/B006MB1S80/> (Year: 2012).*

* cited by examiner

Primary Examiner — Jack Reickel
Assistant Examiner — Melvin L Davis
(74) *Attorney, Agent, or Firm* — Alan D. Kamrath; Mayer & Williams PC

(57) **CLAIM**

The ornamental design for a yoga circle, as shown and described.

DESCRIPTION

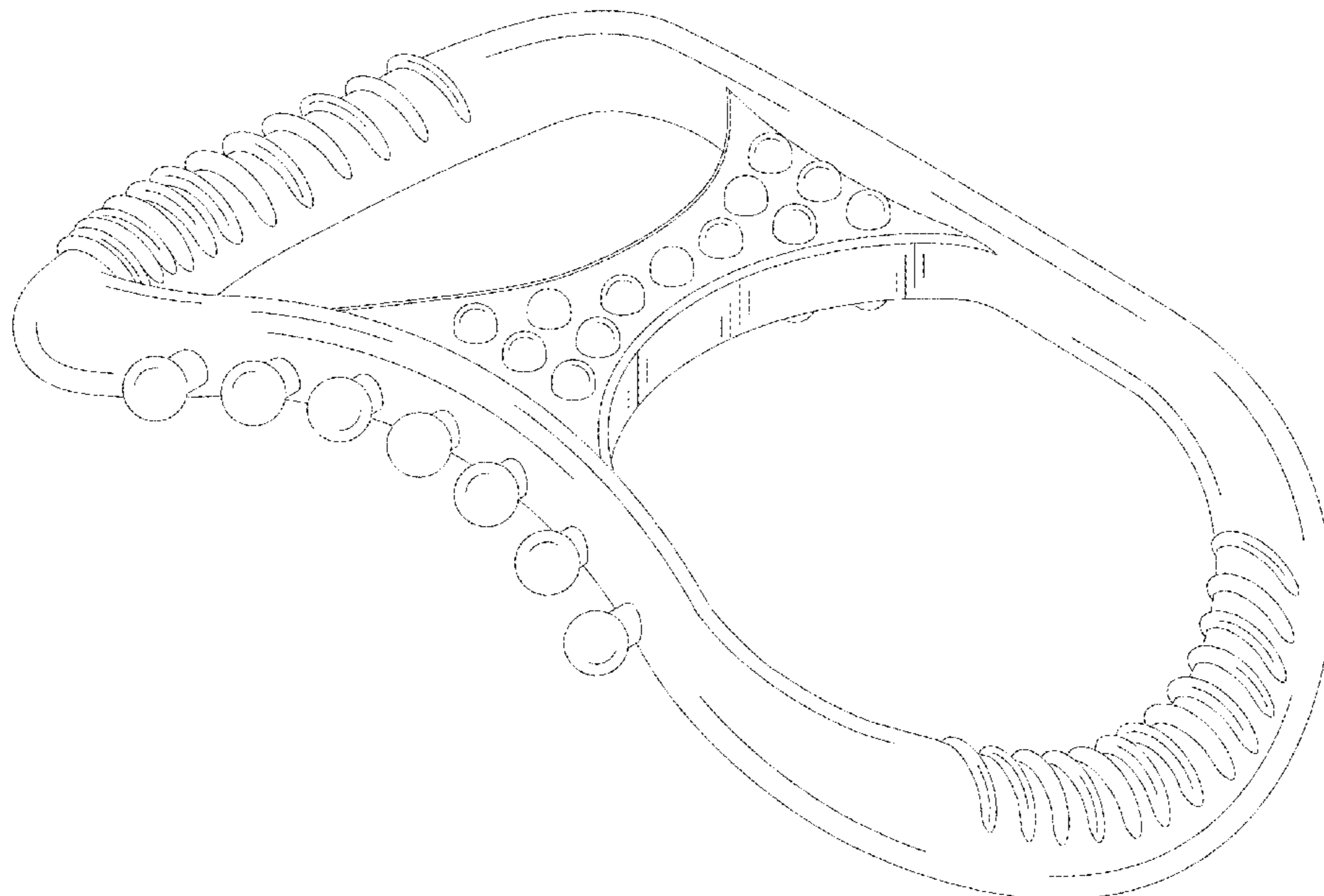
FIG. 1 is a perspective view of a yoga circle showing my design;
FIG. 2 is a front elevational view thereof;
FIG. 3 is a rear elevational view thereof;
FIG. 4 is a left side elevational view thereof;
FIG. 5 is a right side elevational view thereof;
FIG. 6 is a top plan view thereof; and,
FIG. 7 is a bottom plan view thereof.
The broken line showing of the yoga circle is for the purpose of illustration portions of the article and forms no part of the claimed design.

1 Claim, 7 Drawing Sheets

(56) **References Cited**

U.S. PATENT DOCUMENTS

D299,373 S * 1/1989 Parker D21/682
5,692,996 A * 12/1997 Widerman A63B 21/072
482/93
D431,608 S * 10/2000 Lin D21/398
6,196,951 B1 * 3/2001 Shepherd A63B 21/072
482/106
D464,095 S * 10/2002 Yu D21/662
D551,018 S * 9/2007 Goodman D21/694
7,604,581 B1 * 10/2009 Williams A63B 21/0004
446/220
7,713,182 B2 * 5/2010 Bizzell A63B 21/0004
482/140
D659,774 S * 5/2012 Huang D21/662
D660,929 S * 5/2012 Fitzpatrick D21/692
D712,987 S * 9/2014 Salzedo D21/662



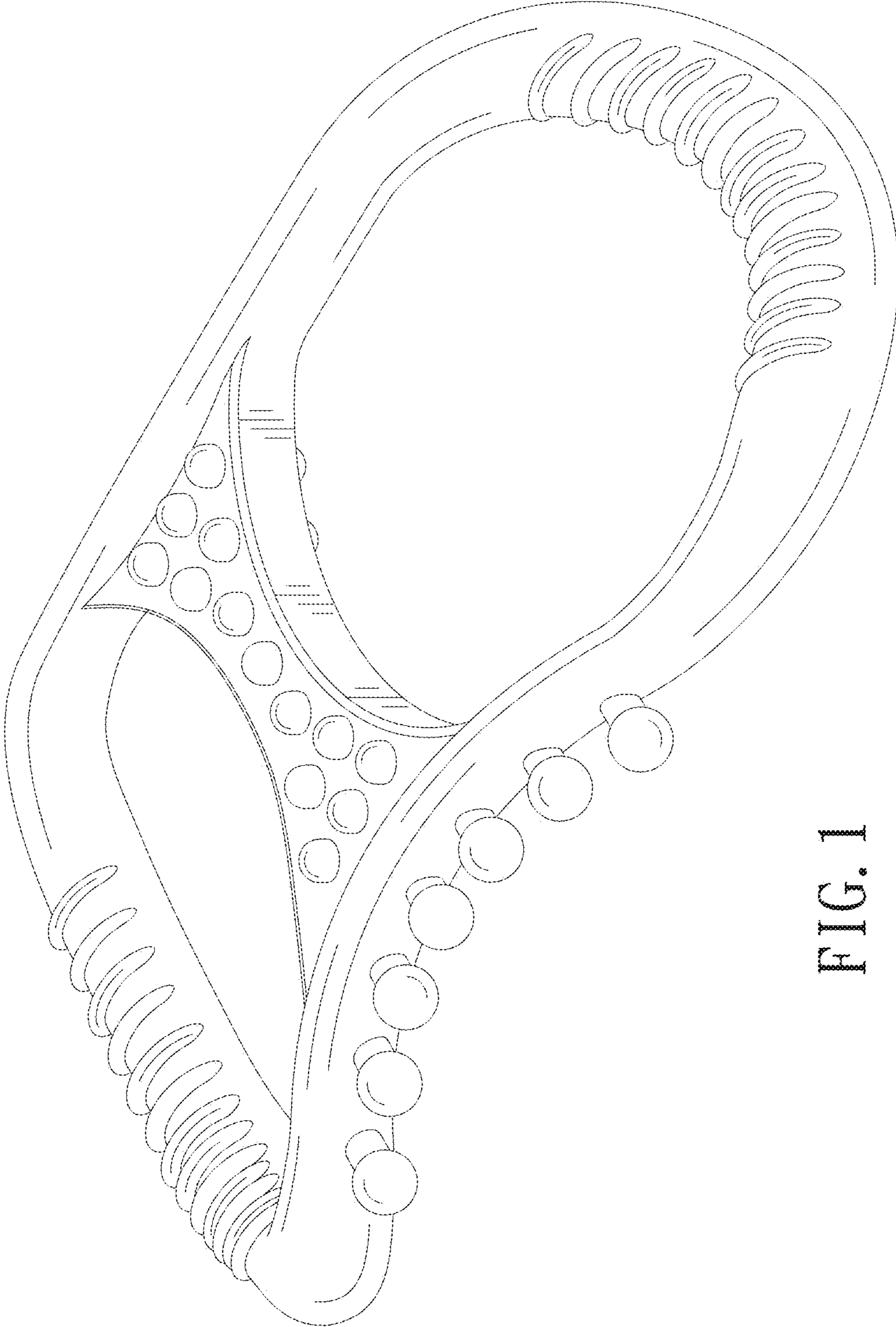


FIG. 1

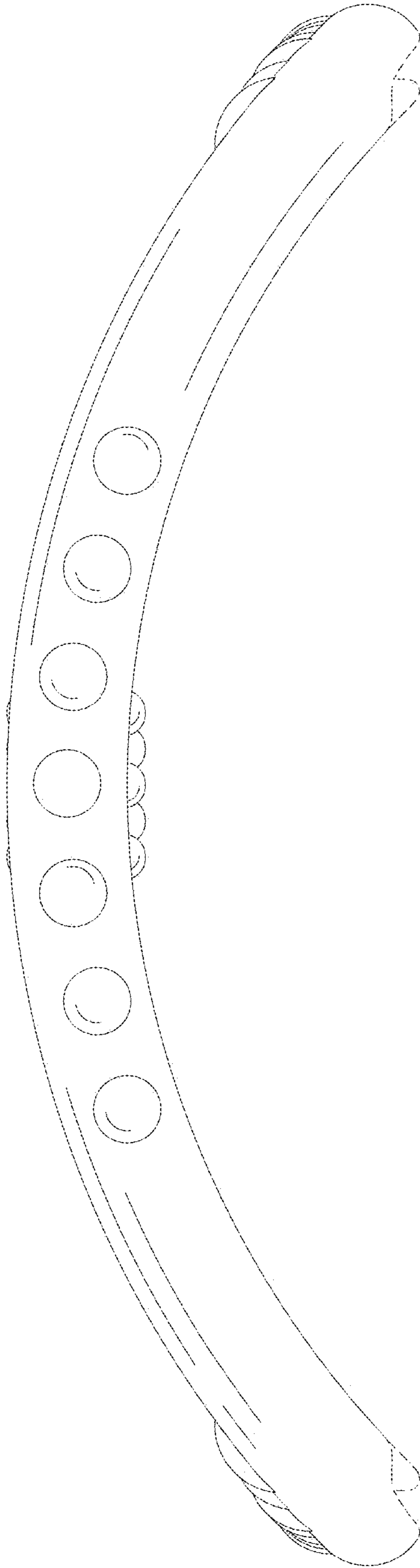


FIG. 2

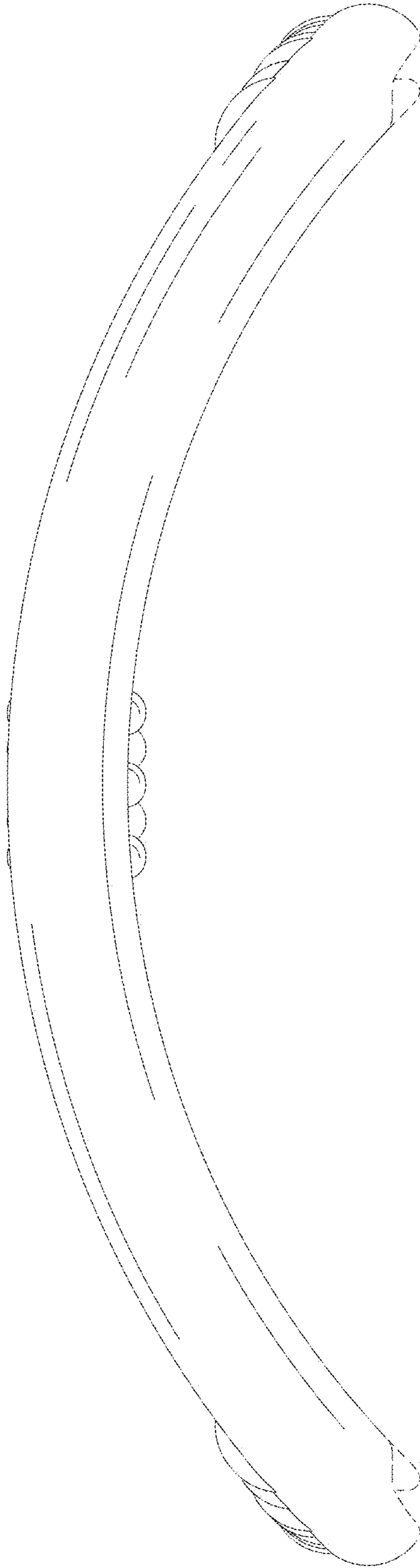


FIG. 3

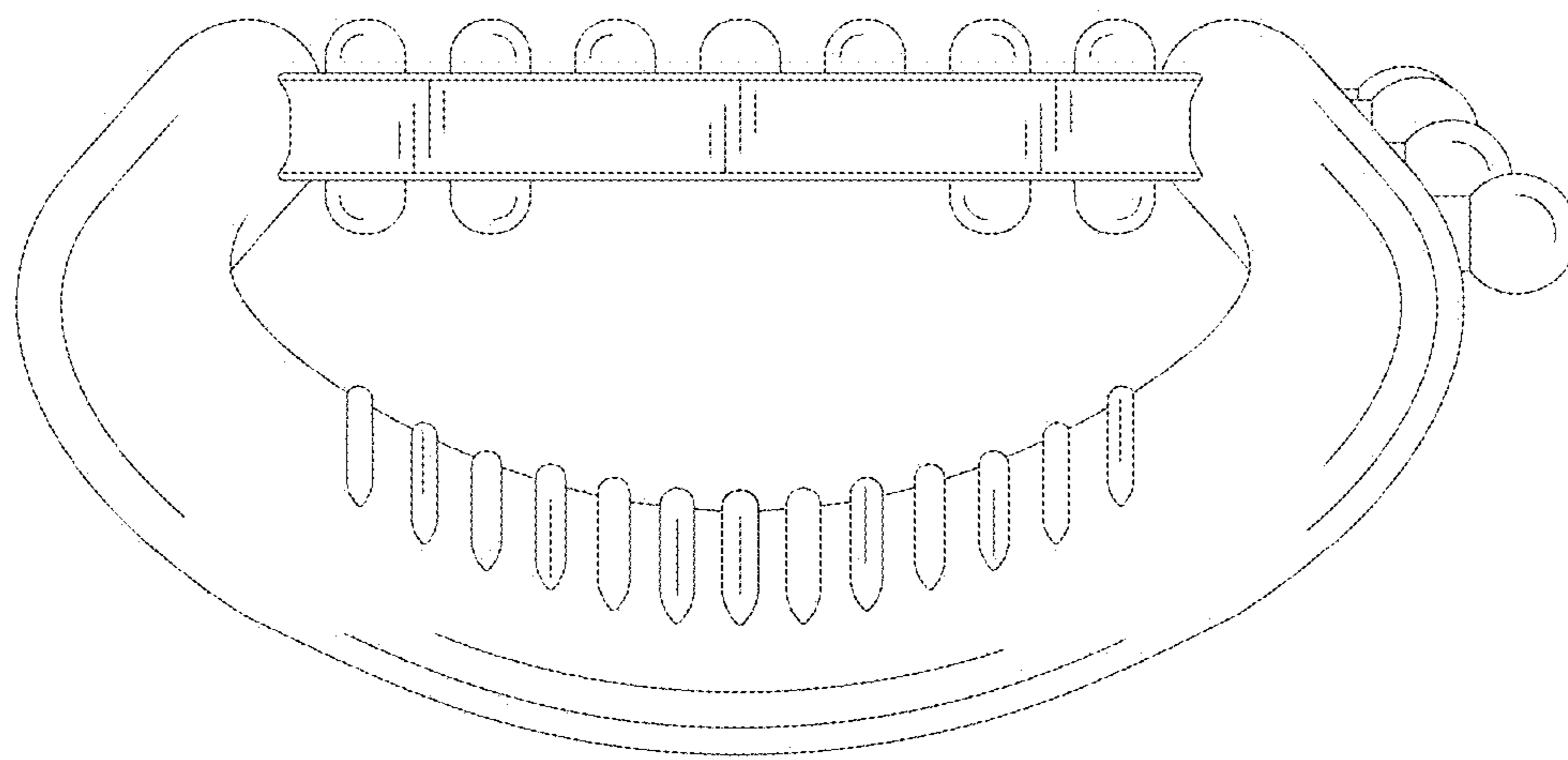


FIG. 4

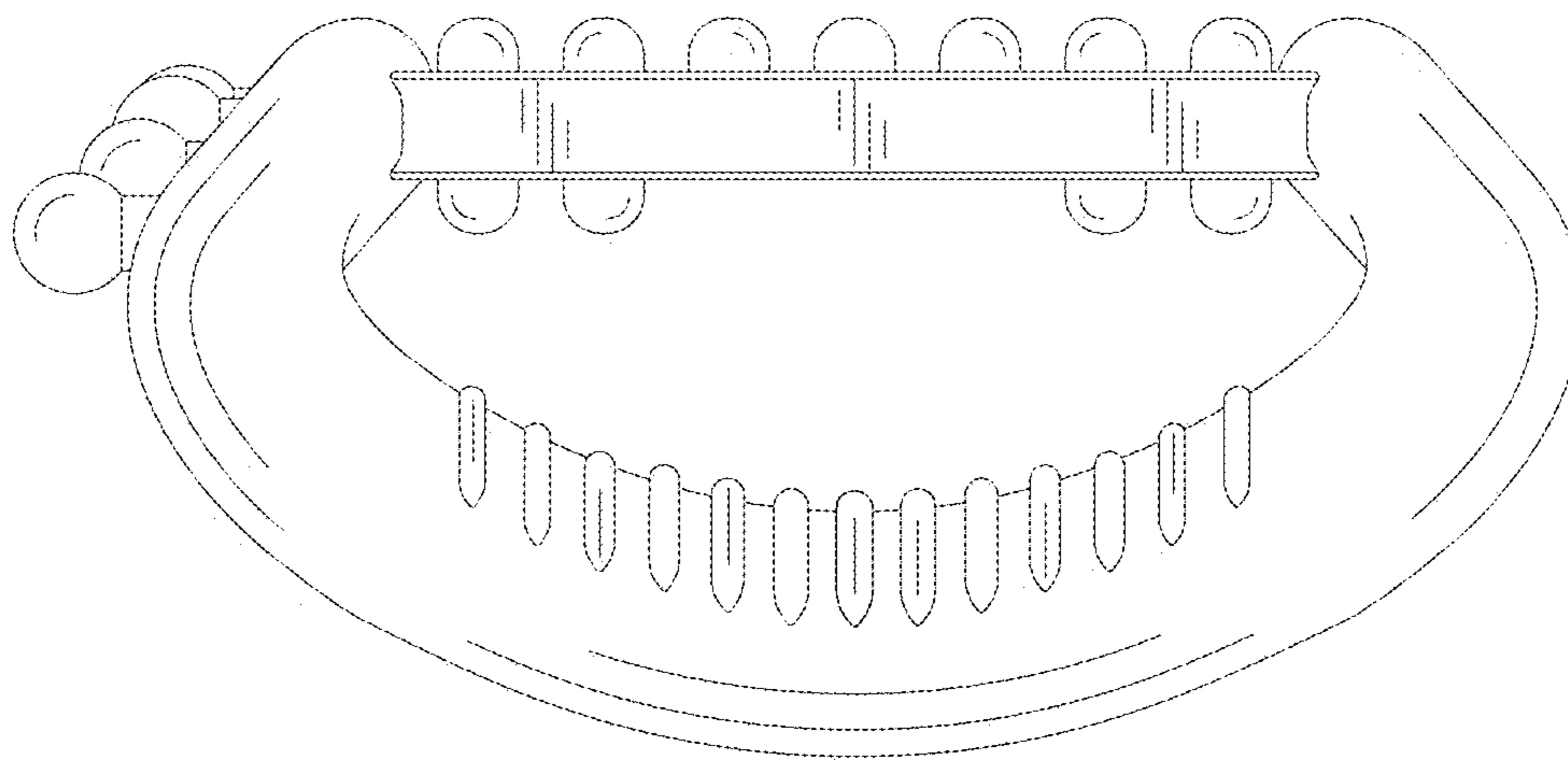


FIG. 5

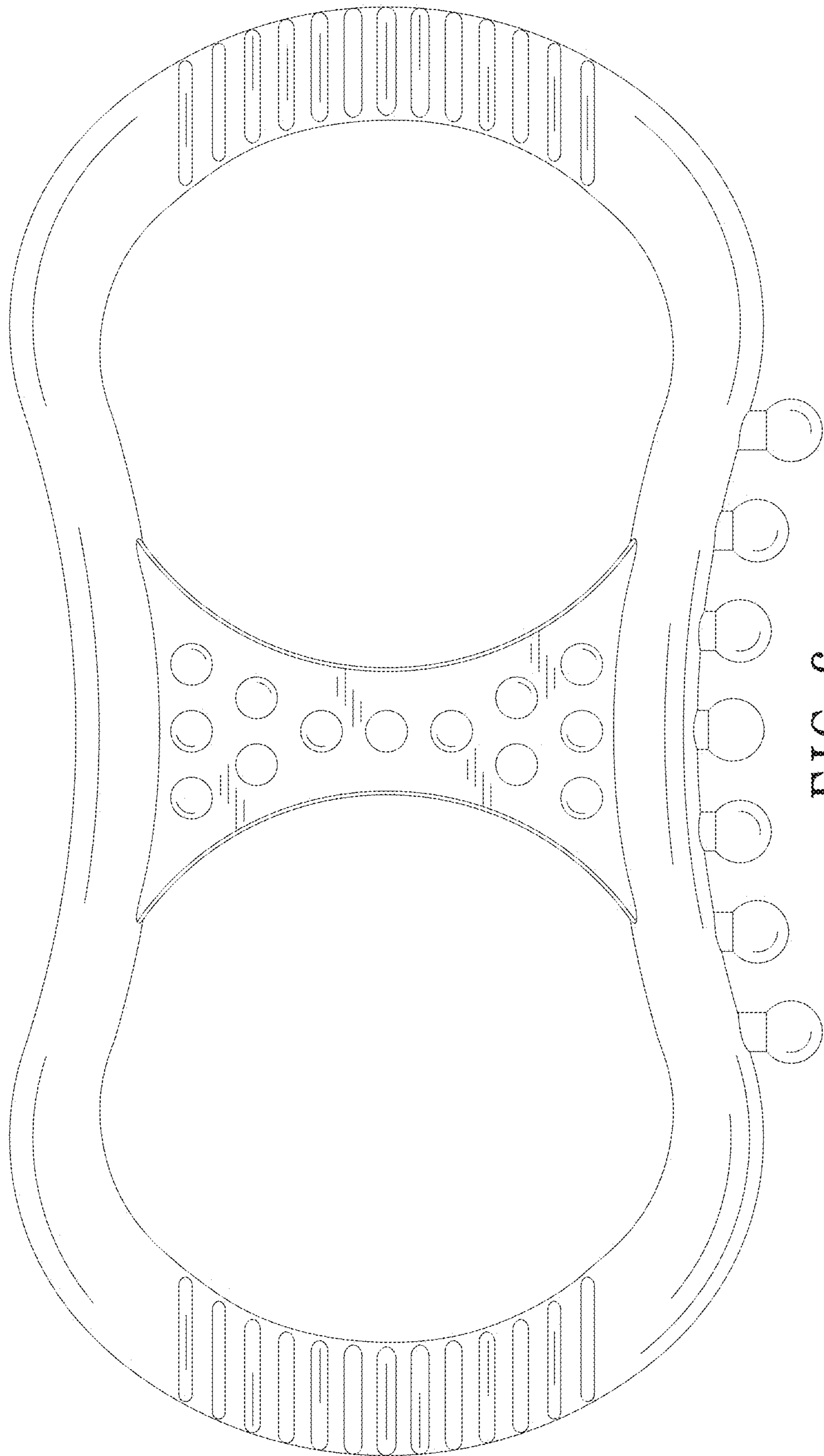


FIG. 6

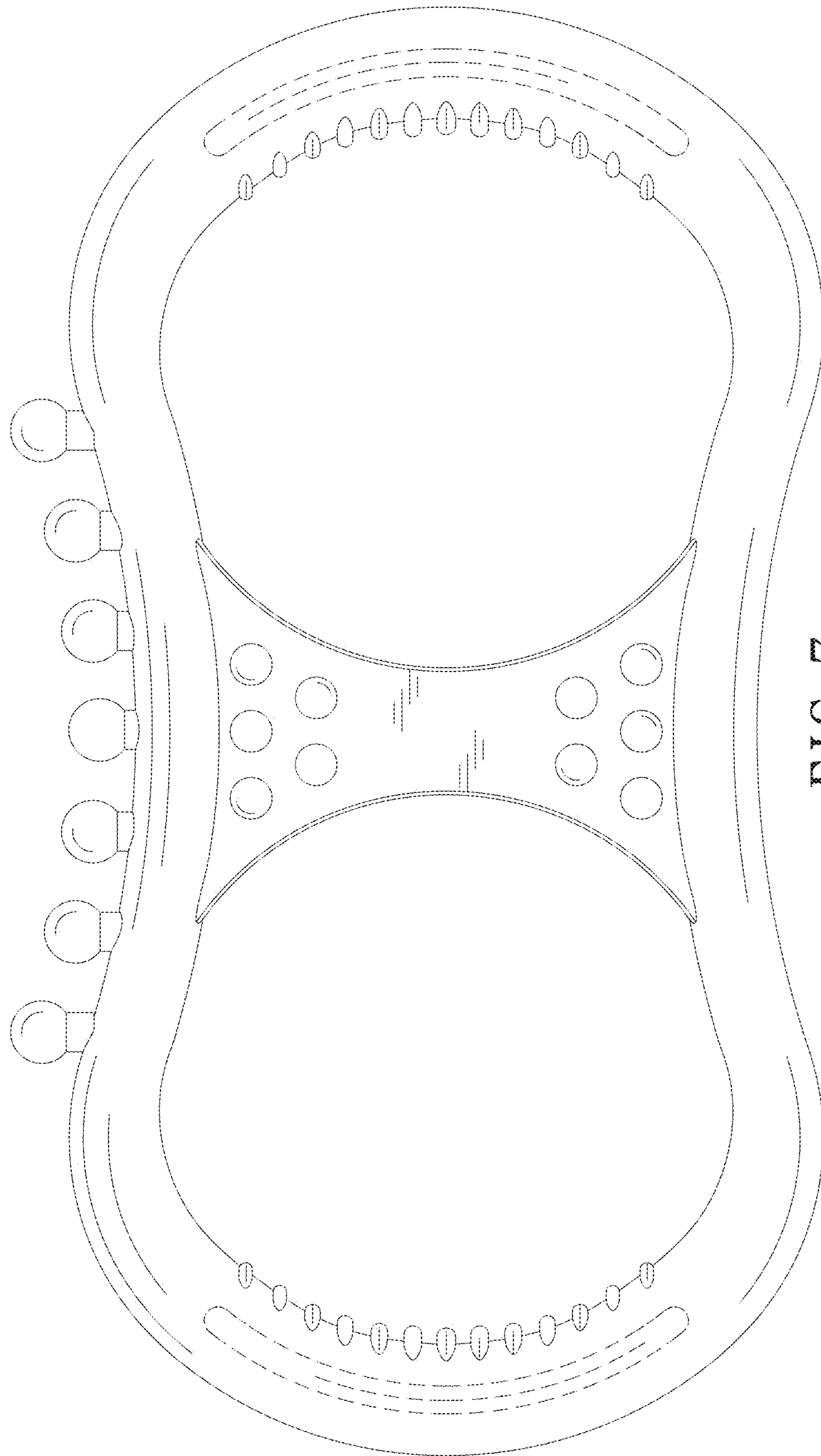


FIG. 7