



US00D899531S

(12) **United States Design Patent** (10) **Patent No.:** **US D899,531 S**
Lee (45) **Date of Patent:** **** Oct. 20, 2020**

(54) **HYDRAULIC TOY HAND**
(71) Applicant: **Wen Hsien Lee**, New Taipei (TW)
(72) Inventor: **Wen Hsien Lee**, New Taipei (TW)
(**) Term: **15 Years**
(21) Appl. No.: **29/707,696**
(22) Filed: **Sep. 30, 2019**
(51) **LOC (12) Cl.** **21-01**
(52) **U.S. Cl.**
USPC **D21/578; D15/199**
(58) **Field of Classification Search**
USPC D15/199; D21/578-583, 621, 622
CPC A63H 3/00; G06N 5/00
See application file for complete search history.

(56) **References Cited**
U.S. PATENT DOCUMENTS
D671,175 S * 11/2012 Koshiishi D21/578
9,095,978 B2 * 8/2015 Shi B25J 9/1664
9,138,897 B1 * 9/2015 Salisbury B25J 19/0091
D812,122 S * 3/2018 Clerc D15/199
D846,615 S * 4/2019 Kawaguchi D15/199
D847,244 S * 4/2019 Kawaguchi D15/199
D880,551 S * 4/2020 Kawaguchi D15/199
2004/0054424 A1 * 3/2004 Matsuda B25J 15/0009
623/64
2010/0259057 A1 * 10/2010 Madhani B25J 15/0009
294/106

2011/0040408 A1 * 2/2011 De La Rosa Tames
B25J 9/1045
700/258
2012/0068486 A1 * 3/2012 Kim B25J 15/10
294/213
2018/0140441 A1 * 5/2018 Poirters A61F 2/72
2018/0311827 A1 * 11/2018 Bicchi A61F 2/583

* cited by examiner

Primary Examiner — Michael C Stout
Assistant Examiner — Melvin L Davis
(74) *Attorney, Agent, or Firm* — WPAT, PC

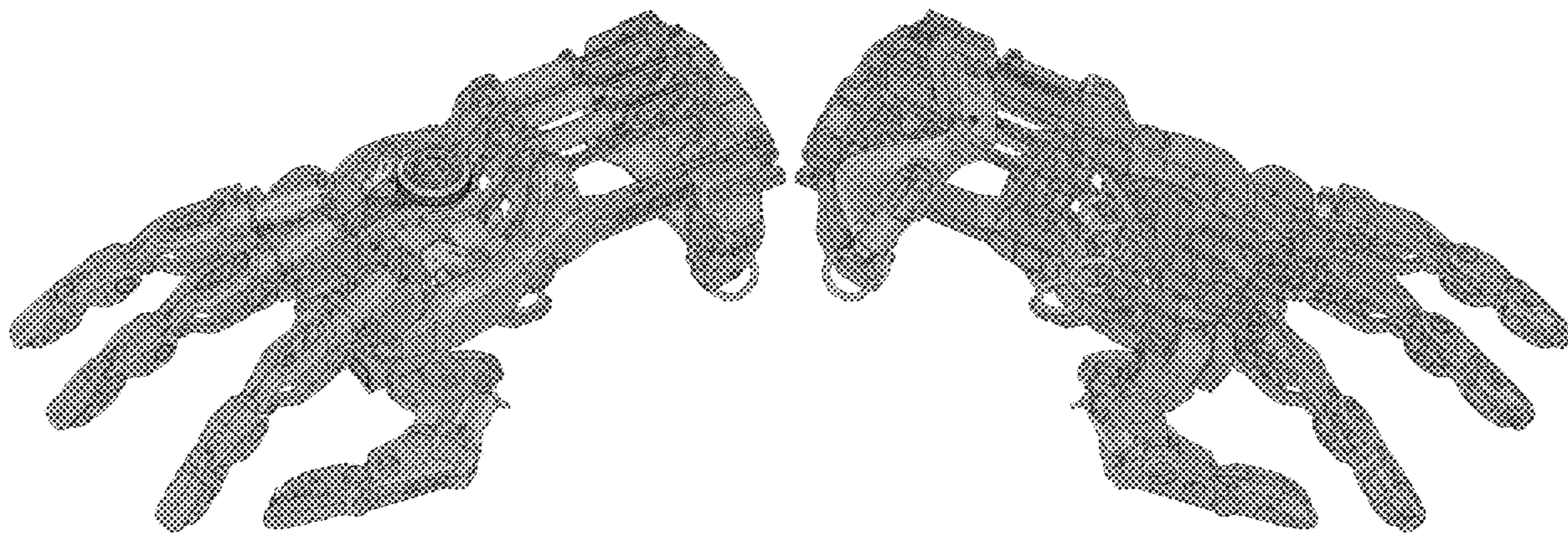
(57) **CLAIM**

The ornamental design for a hydraulic toy hand, as shown.

DESCRIPTION

FIG. 1 is a top front perspective view of a hydraulic toy hand showing my new design;
FIG. 2 is bottom front perspective view thereof;
FIG. 3 is bottom rear perspective view thereof;
FIG. 4 is top rear perspective view thereof;
FIG. 5 is a front elevation view thereof;
FIG. 6 is a rear elevation view thereof;
FIG. 7 is a left side elevation view thereof;
FIG. 8 is a right side elevation view thereof;
FIG. 9 is a top plan view thereof; and,
FIG. 10 is a bottom plan view thereof.

1 Claim, 10 Drawing Sheets



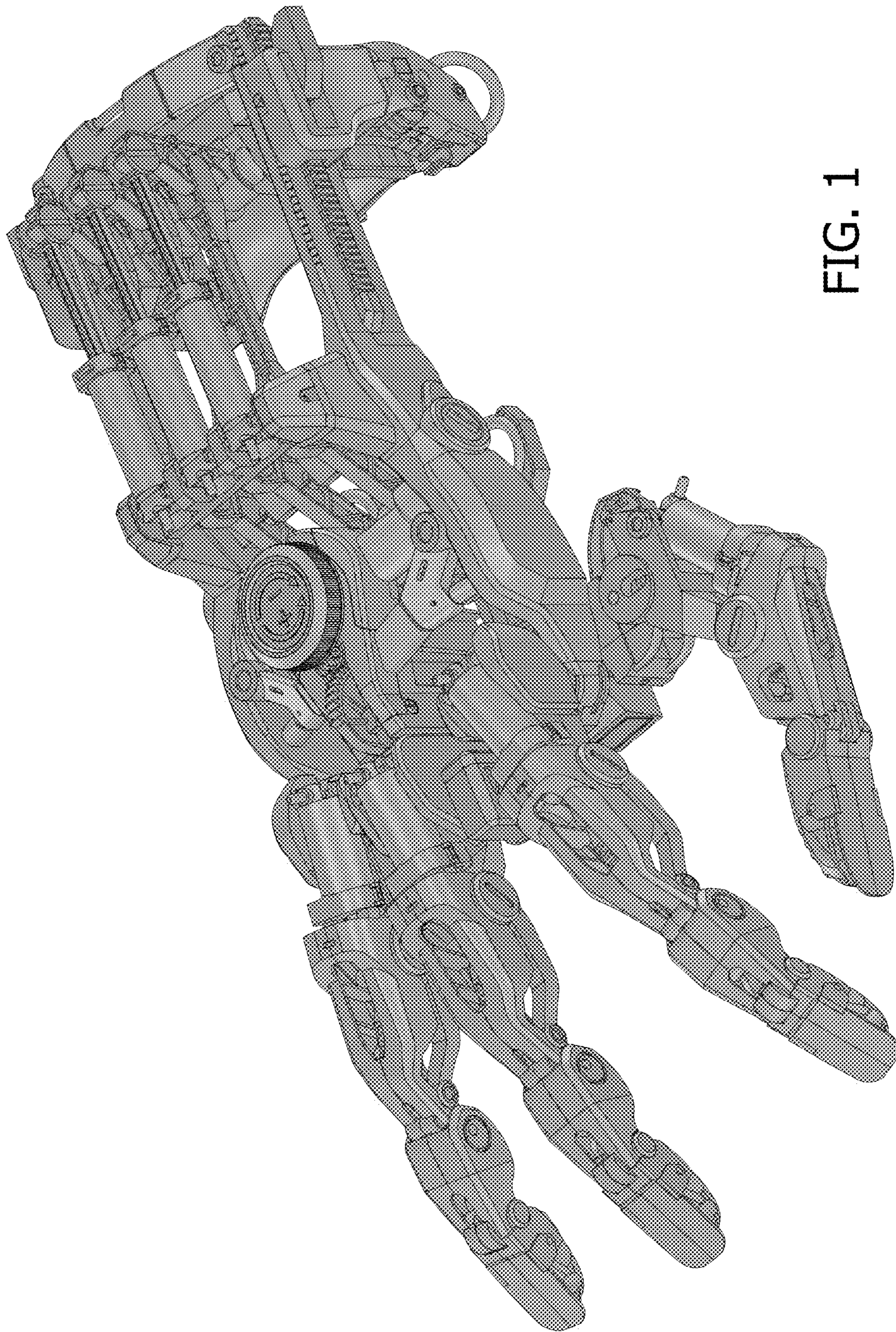


FIG. 1

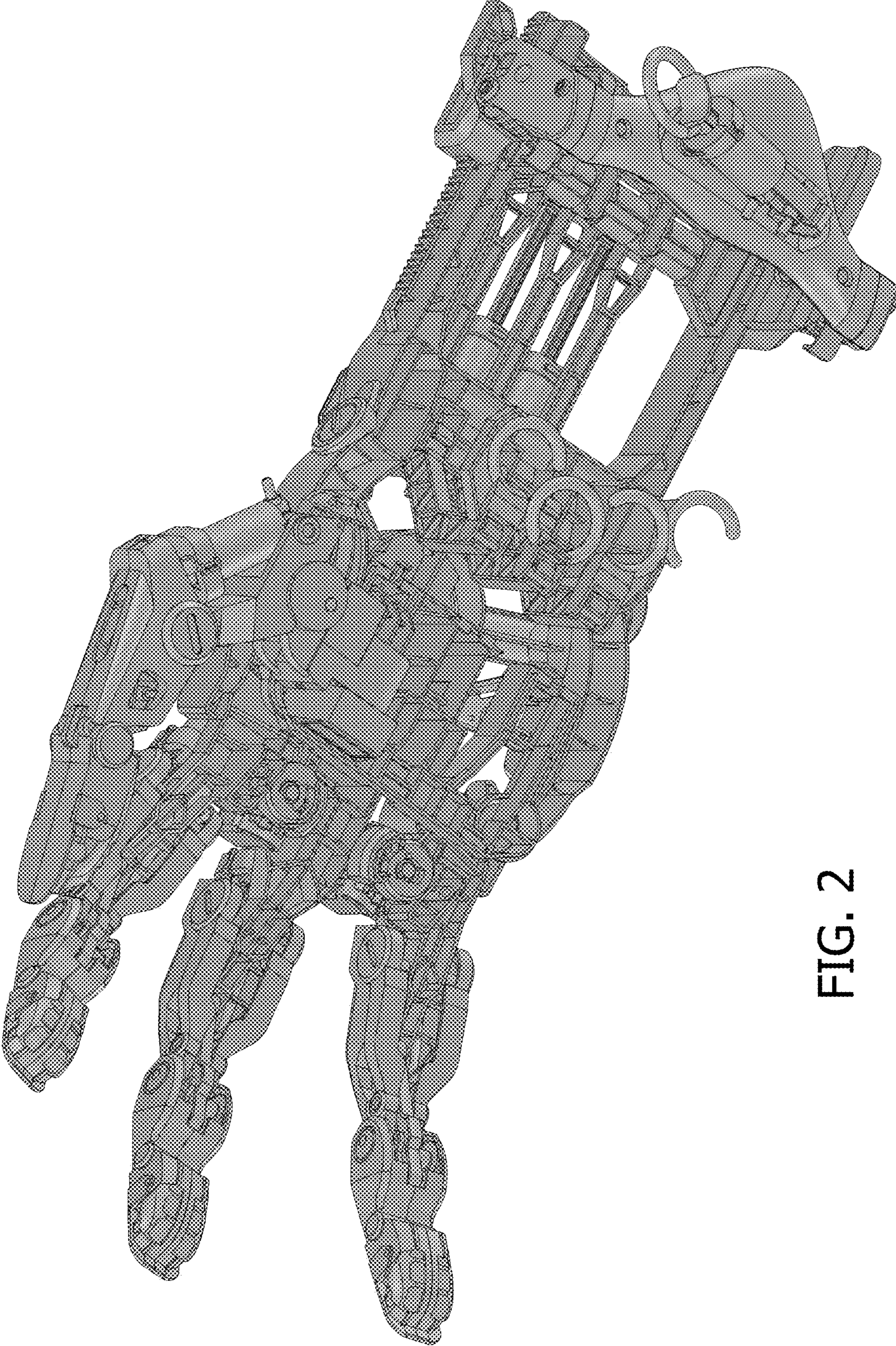


FIG. 2

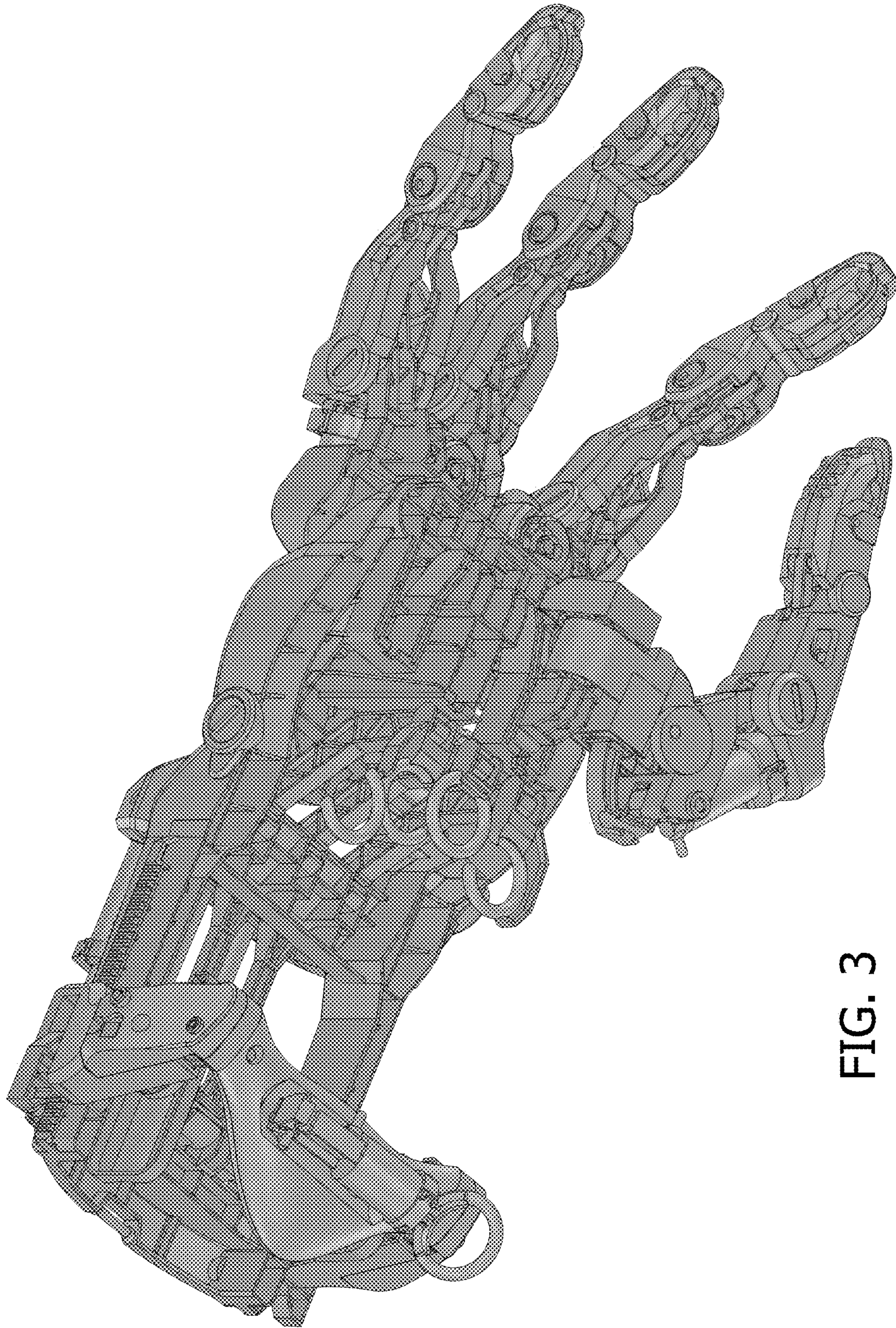


FIG. 3

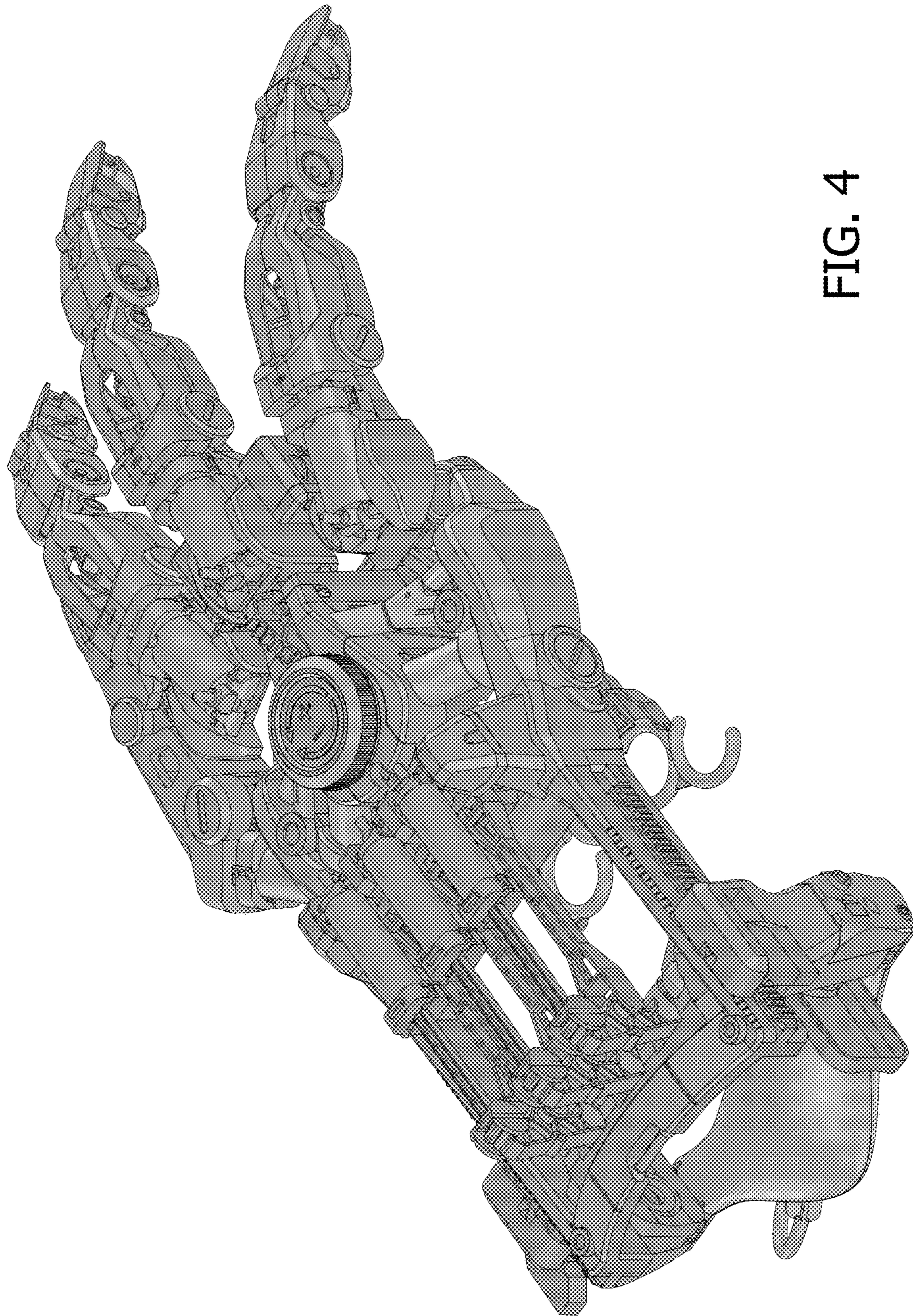


FIG. 4

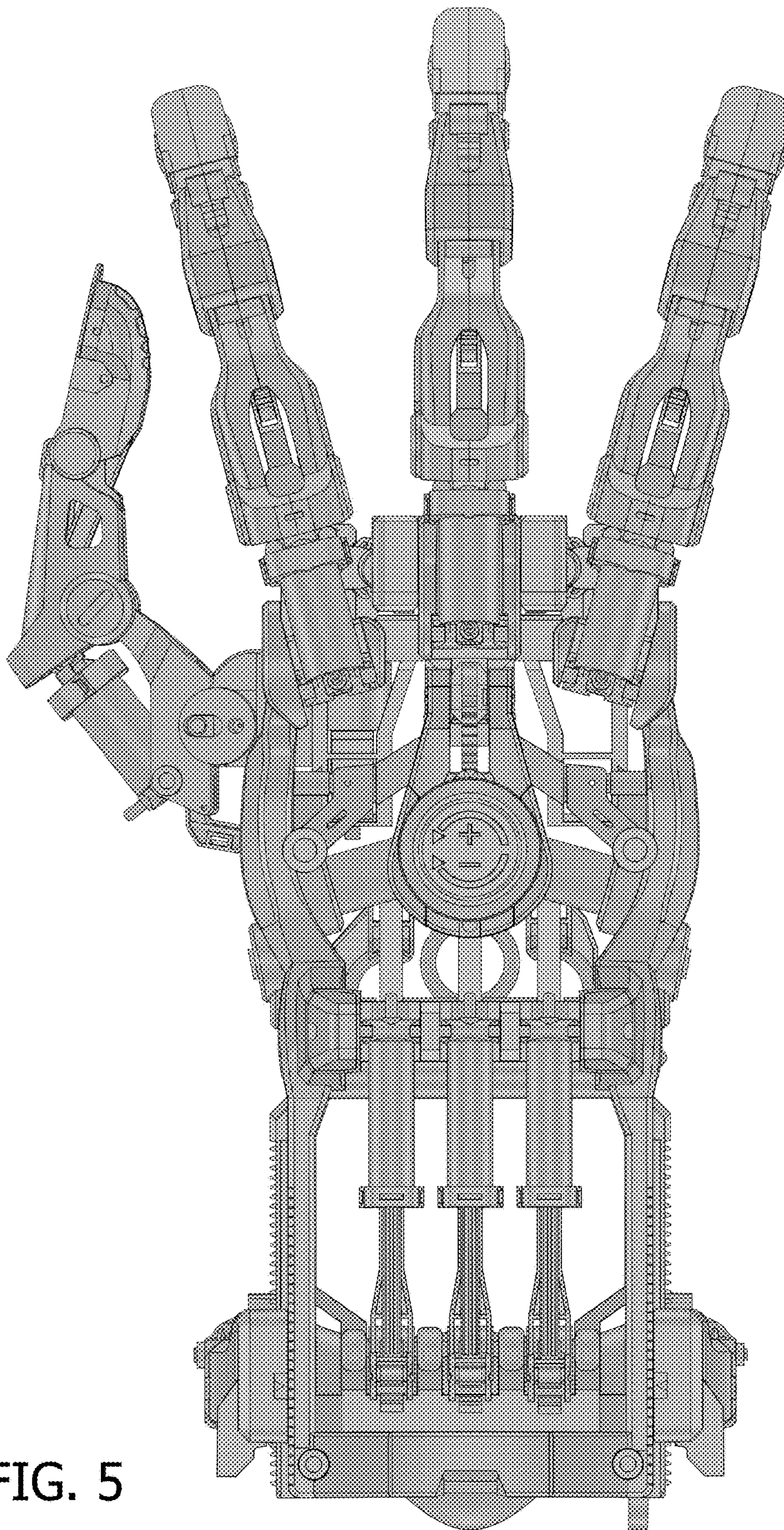


FIG. 5

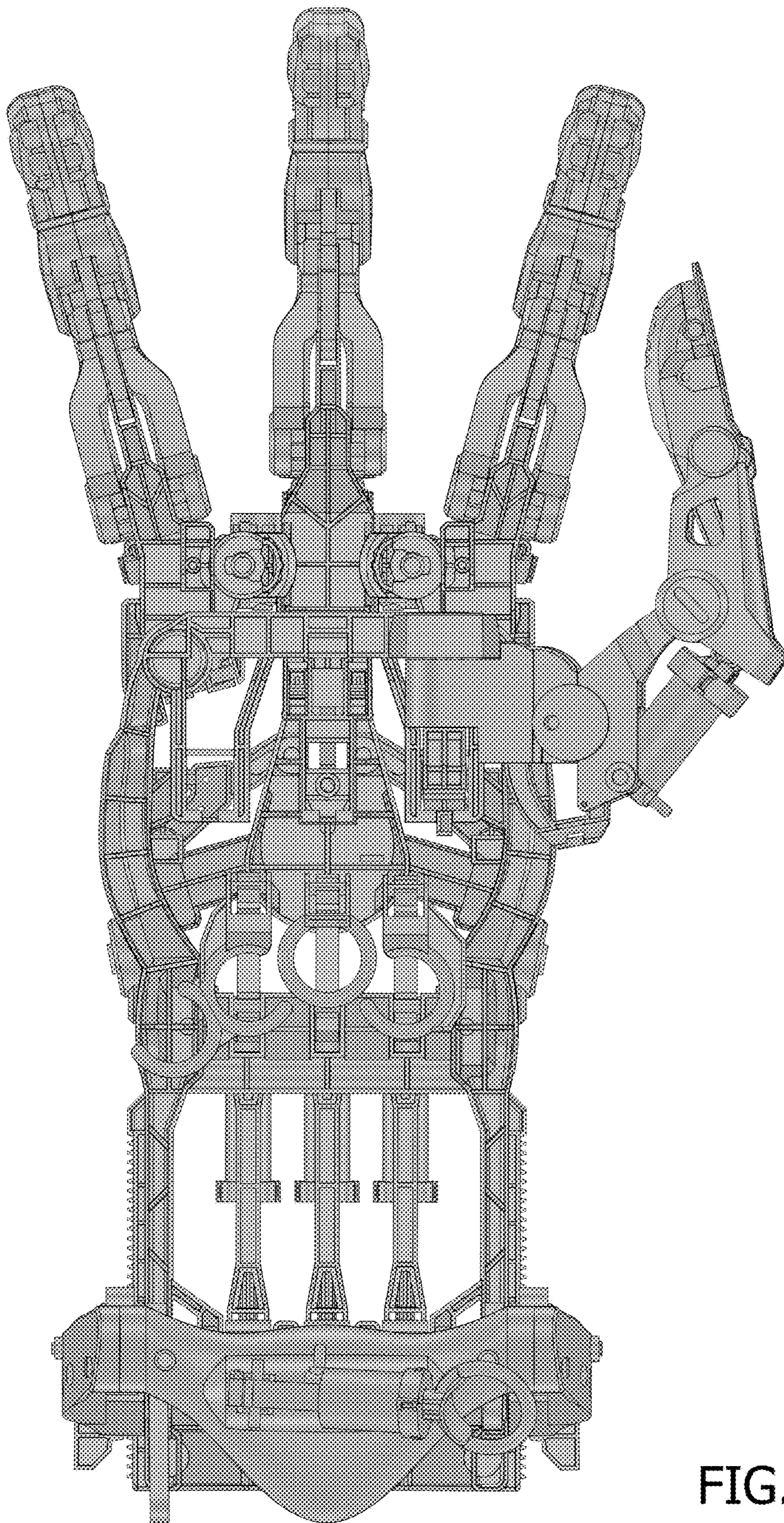


FIG. 6

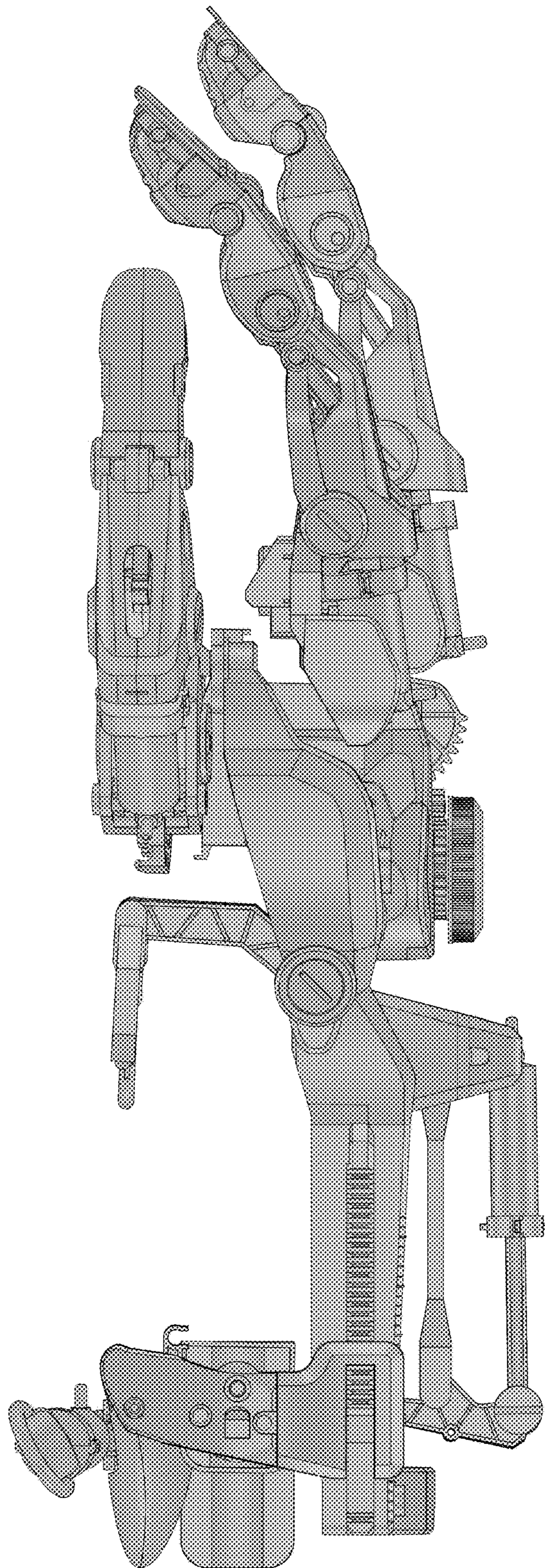


FIG. 7

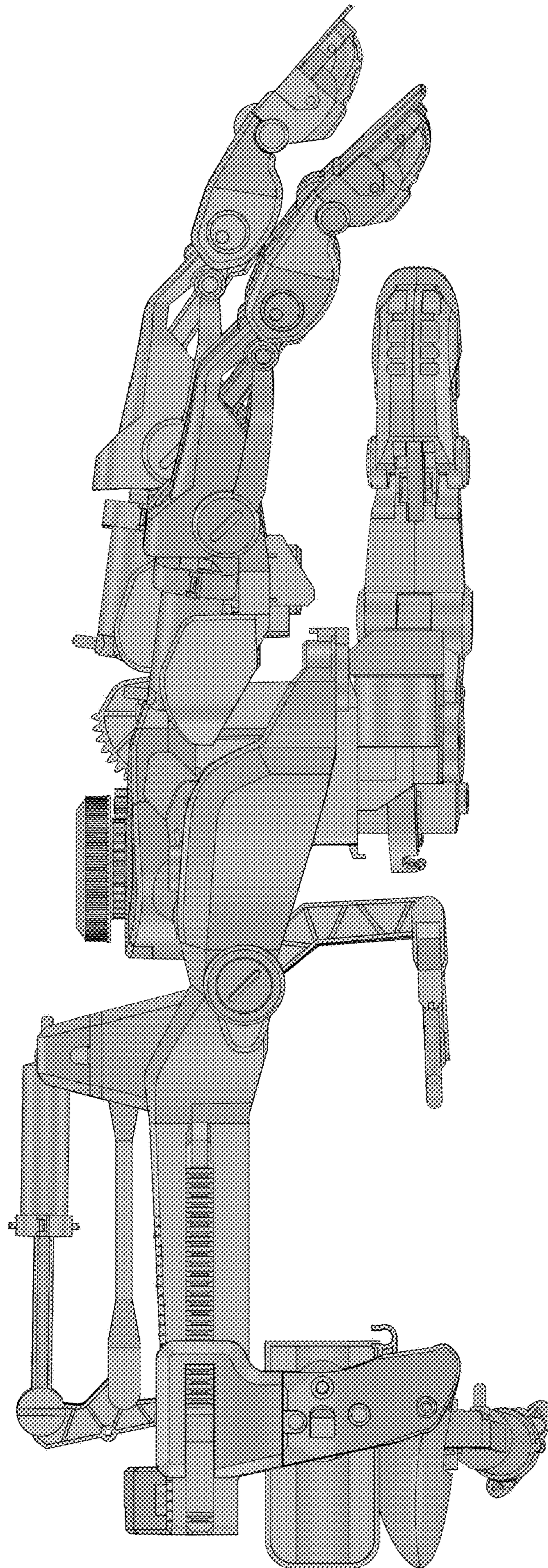


FIG. 8

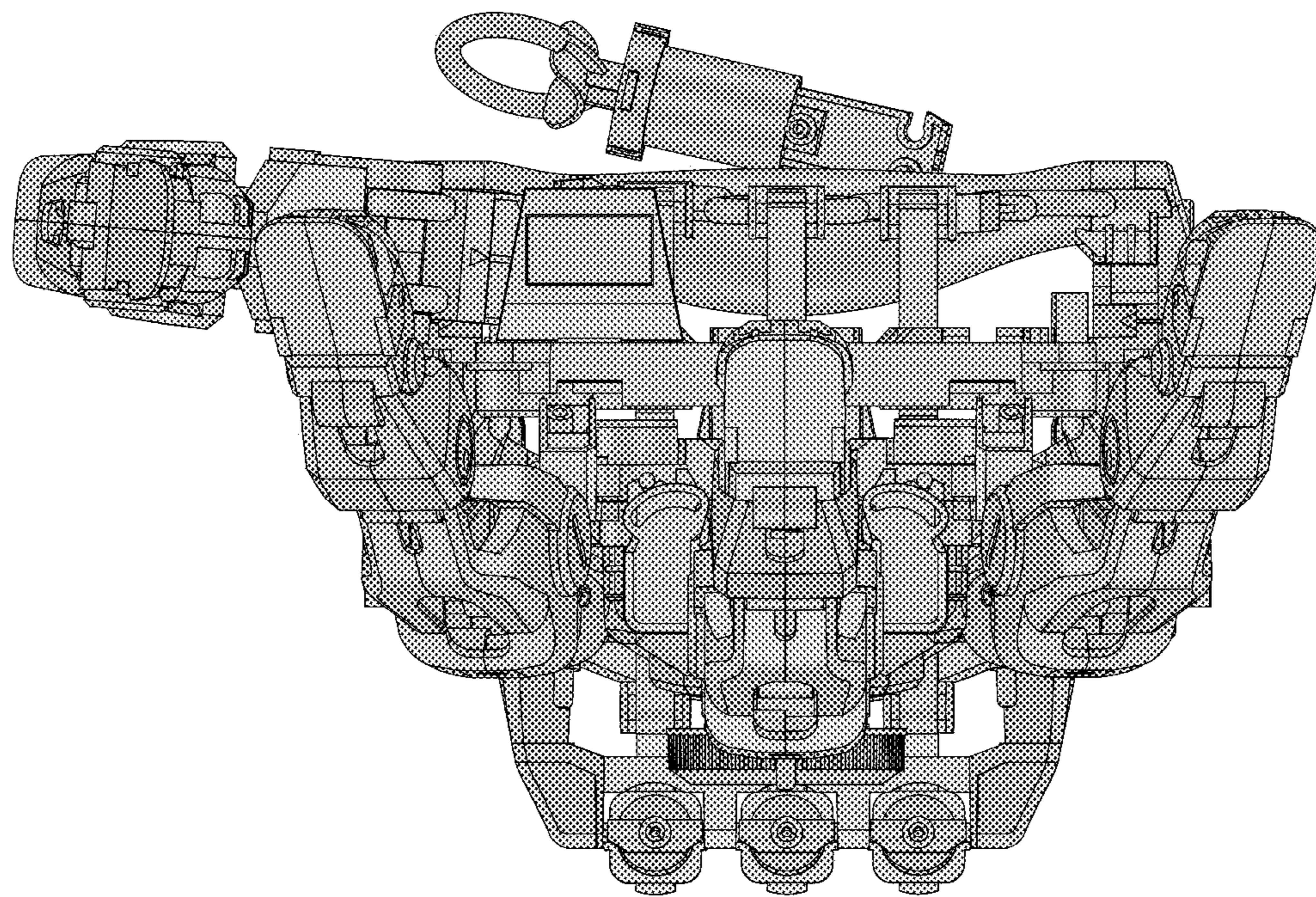


FIG. 9

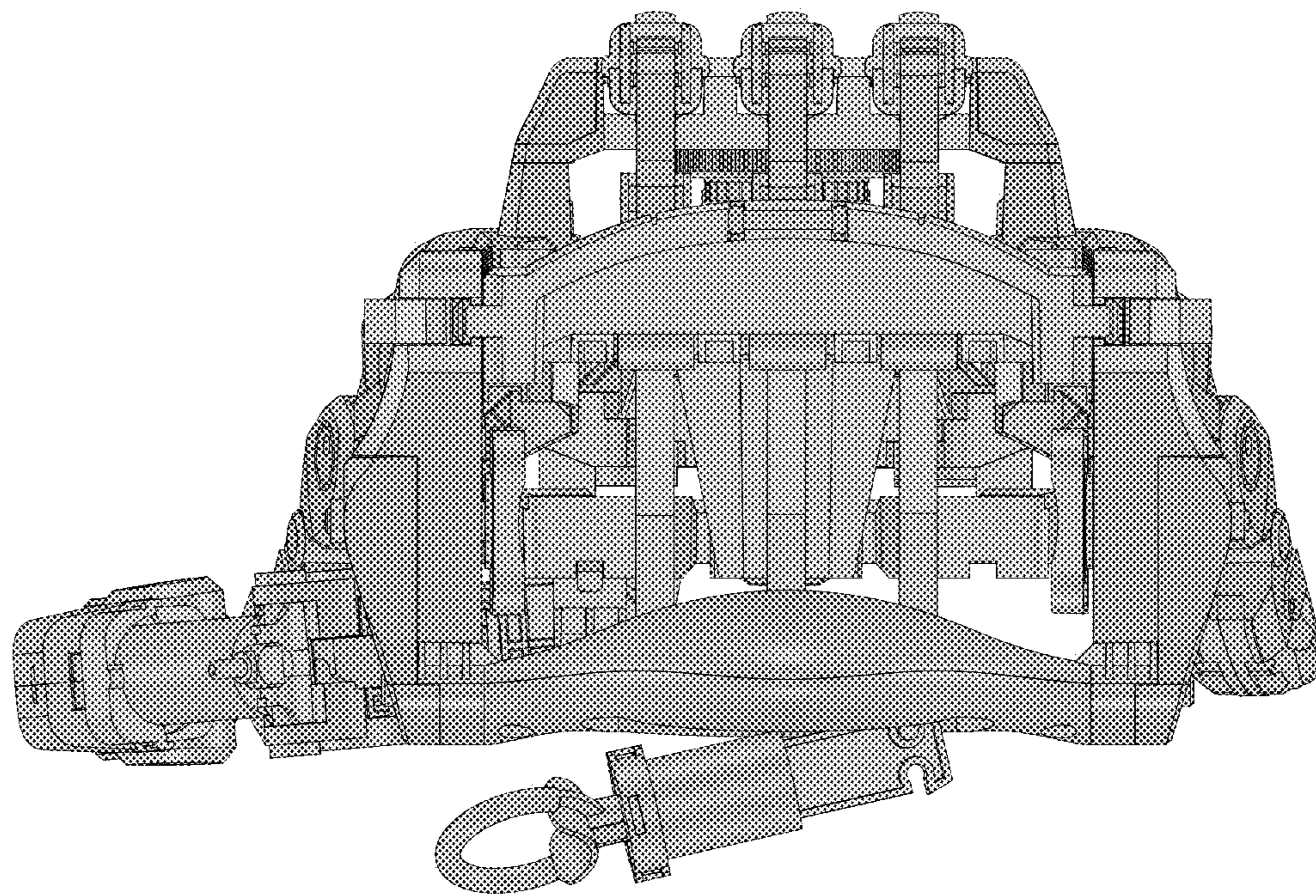


FIG. 10