



US00D899530S

(12) **United States Design Patent**  
**Iwasawa**

(10) **Patent No.:** **US D899,530 S**

(45) **Date of Patent:** **\*\* Oct. 20, 2020**

(54) **TOY GUN**

(71) Applicant: **TOKYO MARUI Co., Ltd.**, Tokyo  
(JP)

(72) Inventor: **Iwao Iwasawa**, Tokyo (JP)

(73) Assignee: **TOKYO MARUI CO., LTD.**, Tokyo  
(JP)

(\*\*) Term: **15 Years**

(21) Appl. No.: **29/646,639**

(22) Filed: **May 7, 2018**

(30) **Foreign Application Priority Data**

Nov. 8, 2017 (JP) ..... 2017-024967

(51) **LOC (12) Cl.** ..... **21-01**

(52) **U.S. Cl.**  
USPC ..... **D21/573**

(58) **Field of Classification Search**  
USPC ..... D21/333, 401, 461, 567, 568, 570-575;  
D14/418; D22/100, 101, 104, 105,  
D22/108-110

CPC .... F41B 11/89; F41B 7/08; F41C 7/00; F41C  
7/11; F41C 7/12

See application file for complete search history.

(56) **References Cited**

**U.S. PATENT DOCUMENTS**

D606,614 S \* 12/2009 Fitzpatrick ..... D22/103  
D733,223 S \* 6/2015 Chu ..... D21/573

D766,380 S \* 9/2016 Crye ..... D21/573  
D795,984 S \* 8/2017 Frederickson ..... D22/108  
D803,955 S \* 11/2017 Martelli ..... D21/573  
D808,486 S \* 1/2018 Kafka ..... D22/103  
D819,765 S \* 6/2018 Kafka ..... D22/103  
D842,389 S \* 3/2019 Iwasawa ..... D21/567  
D842,390 S \* 3/2019 Iwasawa ..... D21/573

**OTHER PUBLICATIONS**

“Decision of Rejection of China Counterpart Application,” dated Nov. 2, 2018, with English translation hereof, p. 1-p. 5.

“Office Action of China Counterpart Application,” with English translation thereof, dated Aug. 20, 2019, p. 1-p. 6.

\* cited by examiner

*Primary Examiner* — Cynthia M. Chin

(74) *Attorney, Agent, or Firm* — JCIPRNET

(57) **CLAIM**

The ornamental design for a toy gun, as shown and described.

**DESCRIPTION**

FIG. 1 is a perspective view of a toy gun showing my new design;

FIG. 2 is a front view thereof;

FIG. 3 is a rear view thereof;

FIG. 4 is a left side view thereof;

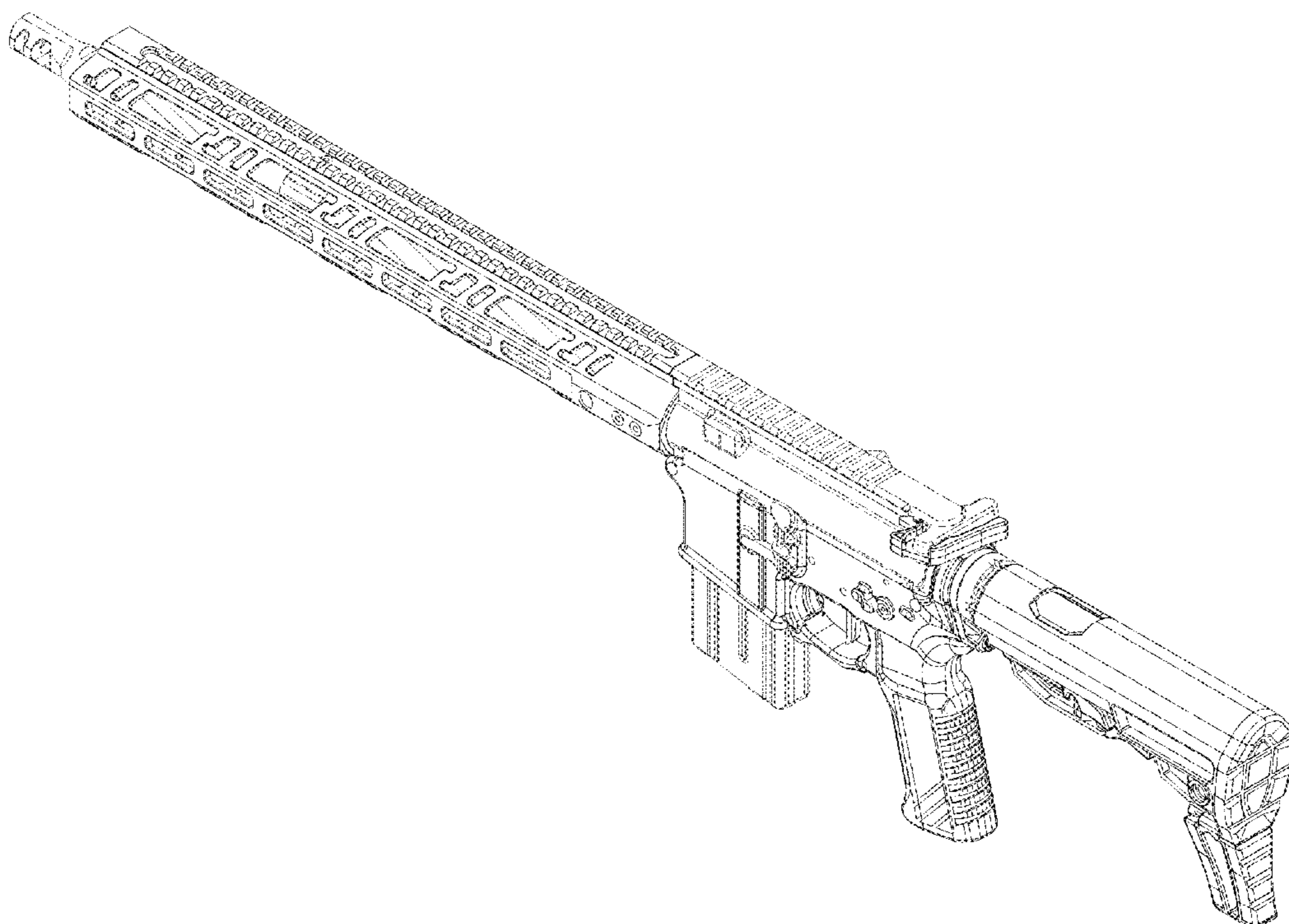
FIG. 5 is a right side view thereof;

FIG. 6 is a top view thereof; and,

FIG. 7 is a bottom view thereof.

The dashed broken lines illustrate portions of the toy gun and form no part of the claimed design.

**1 Claim, 4 Drawing Sheets**



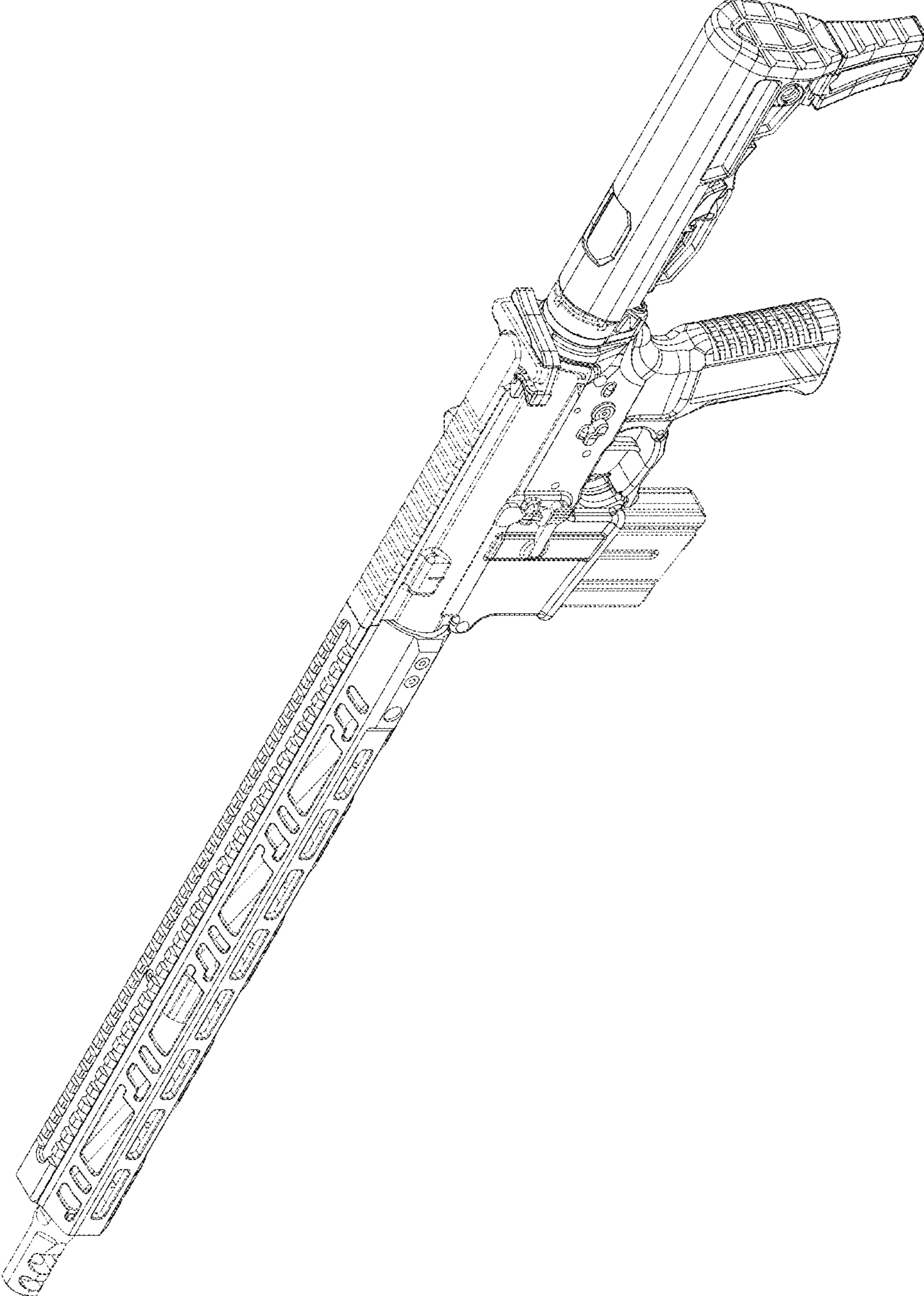


FIG. 1



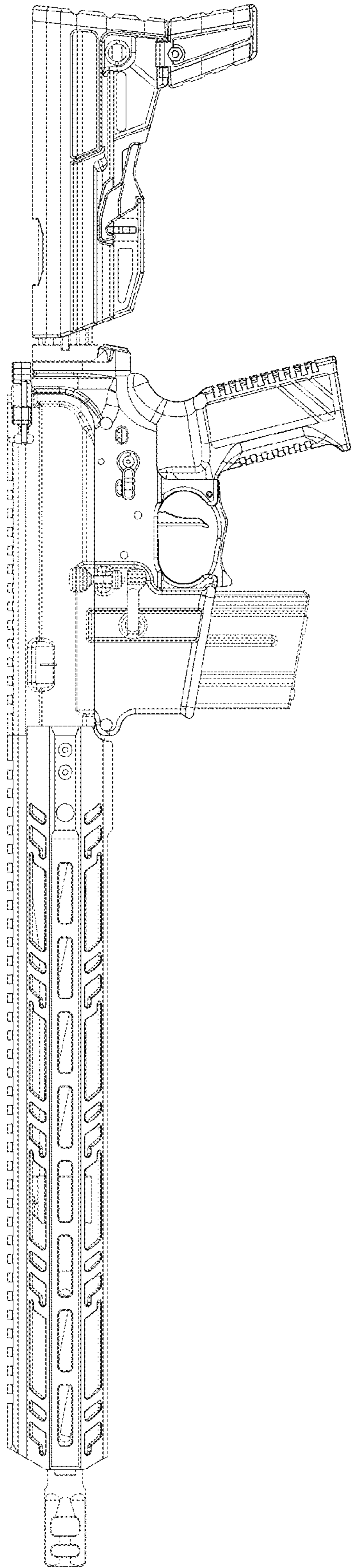


FIG. 2

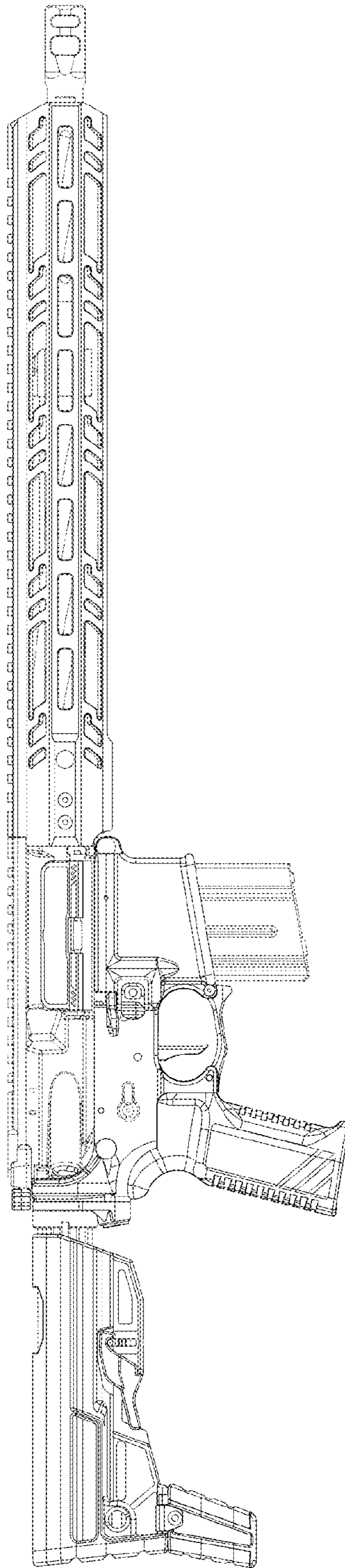


FIG. 3

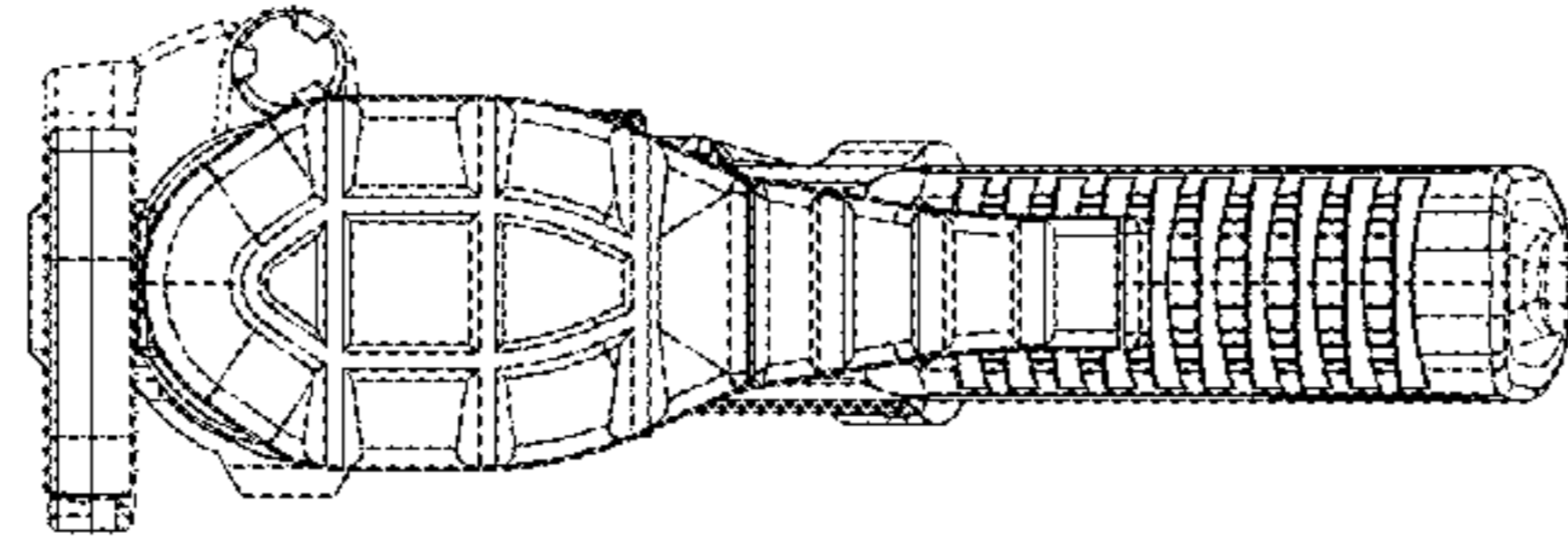


FIG. 5

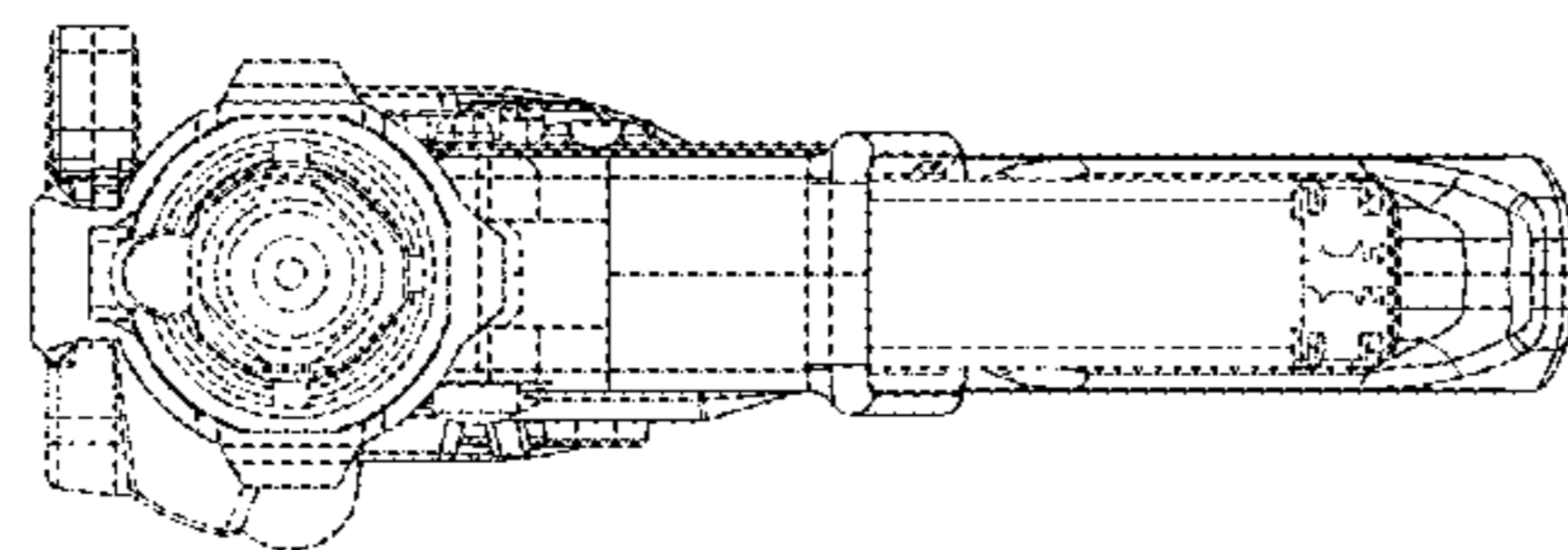


FIG. 4

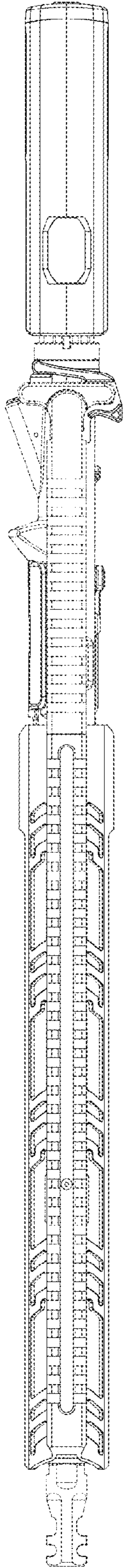


FIG. 6

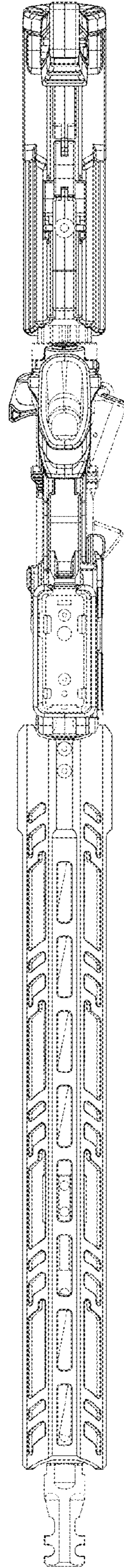


FIG. 7