



US00D899529S

(12) **United States Design Patent**
Chen

(10) **Patent No.:** **US D899,529 S**

(45) **Date of Patent:** **** Oct. 20, 2020**

(54) **CONTROLLER**

(71) Applicant: **SZ DJI Technology Co., Ltd.**,
Shenzhen (CN)

(72) Inventor: **Yiwei Chen**, Shenzhen (CN)

(73) Assignee: **SZ DJI Technology Co., Ltd.**,
Shenzhen (CN)

(**) Term: **15 Years**

(21) Appl. No.: **29/709,652**

(22) Filed: **Oct. 16, 2019**

Related U.S. Application Data

(63) Continuation of application No. 29/657,351, filed on
Jul. 20, 2018.

(51) **LOC (12) Cl.** **21-01**

(52) **U.S. Cl.**
USPC **D21/566**

(58) **Field of Classification Search**
USPC D13/168; D14/195, 218; D21/333, 561,
D21/566; D12/174, 345
CPC A63F 13/06; A63H 30/04; G08C 17/02;
G08C 23/04
See application file for complete search history.

(56) **References Cited**

U.S. PATENT DOCUMENTS

| | | |
|--------------|---------|-----------------|
| D344,553 S | 2/1994 | Arai |
| 5,525,972 A | 6/1996 | Inokoshi |
| D471,603 S | 3/2003 | Morita et al. |
| D517,129 S | 3/2006 | Yamamoto et al. |
| D521,573 S | 5/2006 | Jinno et al. |
| 7,250,844 B2 | 7/2007 | Arai et al. |
| D573,204 S | 7/2008 | Arai et al. |
| D594,071 S | 6/2009 | Jinno et al. |
| D636,825 S | 4/2011 | Tanaka |
| D650,021 S | 12/2011 | Suzuki et al. |
| 8,075,364 B2 | 12/2011 | Wai et al. |
| D670,768 S | 11/2012 | Isono et al. |

| | | |
|--------------|---------|------------------|
| D740,708 S | 10/2015 | Pecorari |
| D749,527 S | 2/2016 | Li |
| D780,269 S | 2/2017 | Isono et al. |
| D794,135 S | 8/2017 | Snyder et al. |
| D802,677 S | 11/2017 | Hung |
| 9,829,909 B2 | 11/2017 | Yamaguchi et al. |
| 9,855,512 B1 | 1/2018 | Wong |

(Continued)

OTHER PUBLICATIONS

DJI Spark Remote Controller; prior to Jul. 20, 2018; 1 pg.; https://www.google.com/search?q=drone+controller&hl=en&biw=1536&bih=813&source=Int&tbs=cdr%3A1%2Ccd_min%3A%2Ccd_max%3A7%2F20%2F2018&tbm=isch#imgcr=QPCn1Vvk25rY2M:&spf=1562023673592.

(Continued)

Primary Examiner — Selina Sikder

(74) *Attorney, Agent, or Firm* — Sterne, Kessler,
Goldstein & Fox P.L.L.C

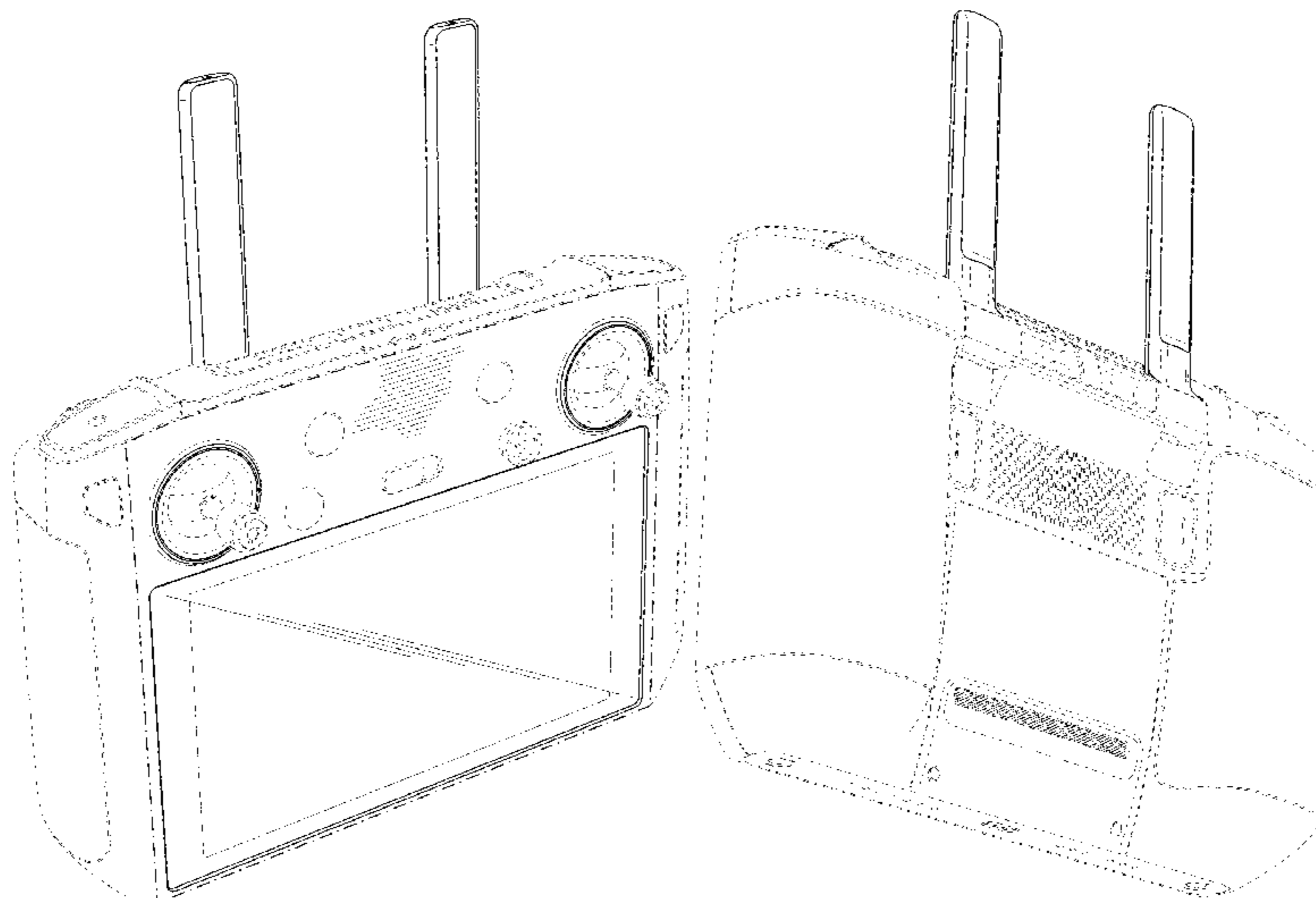
(57) **CLAIM**

The ornamental design for a controller, as shown and described.

DESCRIPTION

FIG. 1 is a top front perspective view of a controller showing the claimed design;
FIG. 2 is a bottom rear perspective view thereof;
FIG. 3 is a front view thereof;
FIG. 4 is a rear view thereof;
FIG. 5 is a left side view thereof;
FIG. 6 is a right side view thereof;
FIG. 7 is a top view thereof; and,
FIG. 8 is a bottom view thereof.
The dashed broken lines in the figures show portions of the controller that form no part of the claimed design.
The dot-dash broken lines in the figures show boundaries that form no part of the claimed design.

1 Claim, 6 Drawing Sheets



(56)

References Cited

U.S. PATENT DOCUMENTS

| | | | | |
|--------------|----|-----------|------------------|---------|
| D817,416 | S | 5/2018 | Pecorari et al. | |
| D821,506 | S | 6/2018 | Wang et al. | |
| D823,949 | S | 7/2018 | Lu et al. | |
| D839,968 | S | 2/2019 | Kim et al. | |
| D839,969 | S | 2/2019 | Kim et al. | |
| D844,716 | S | 4/2019 | Gan | |
| D864,312 | S | * 10/2019 | Kim | D21/566 |
| D868,177 | S | * 11/2019 | Chen | D21/566 |
| 2014/0111317 | A1 | 4/2014 | Shen | |
| 2016/0124458 | A1 | 5/2016 | Yamaguchi et al. | |
| 2017/0357254 | A1 | 12/2017 | Tanaka | |

OTHER PUBLICATIONS

Evolve Remote Controller; prior to Jul. 20, 2017; 1pg.; https://www.google.com/search?q=drone+controller&hl=en&biw=1536&bih=813&source=ln&tbs=cdr%3A1%2Ccd_min%3A%2Ccd_max%3A7%2F20%2F2017&tbm=isch#imgrc=2SXLnOzWHipBRM:&spf=1562025333940.

Amazon.com, Drone Fans 2pc. remote controller; prior to Jul. 20, 2017; 1 pg.; https://www.google.com/search?q=drone+controller&hl=en&biw=1536&bih=813&source=ln&tbs=cdr%3A1%2Ccd_min%3A%2Ccd_max%3A7%2F20%2F2017&tbm=isch#imgrc=x1OQCVIsiIkPIM:&spf=1562025333940.

Yuneec Remote Control ; prior to Jul. 20, 2017; 1 pg.; https://www.google.com/search?q=drone+controller&hl=en&biw=1536&bih=813&source=ln&tbs=cdr%3A1%2Ccd_min%3A%2Ccd_max%3A7%2F20%2F2017&tbm=isch#imgrc=Pb2uDnZr6dNjM:&spf=1562025333944.

* cited by examiner

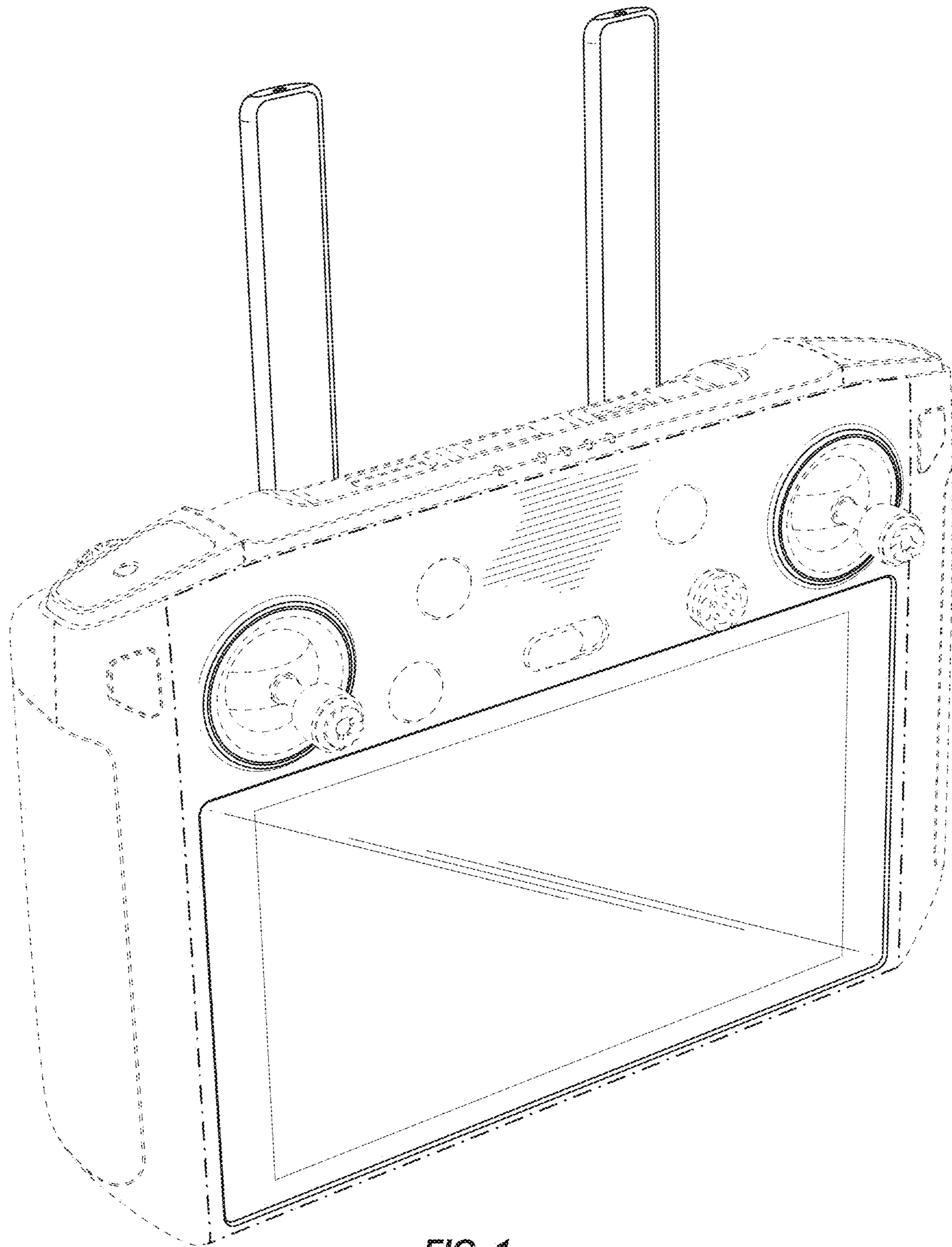


FIG. 1

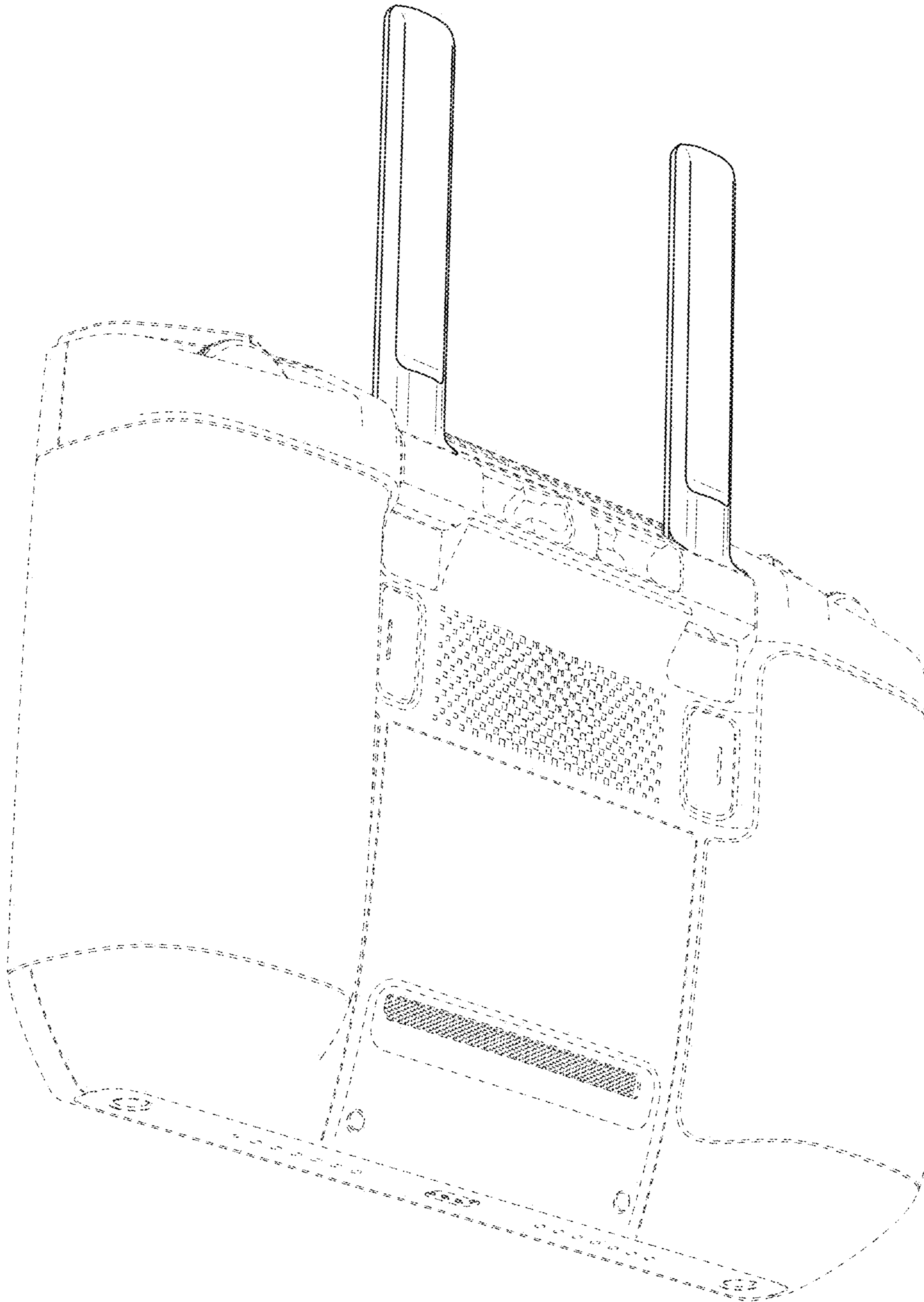


FIG. 2

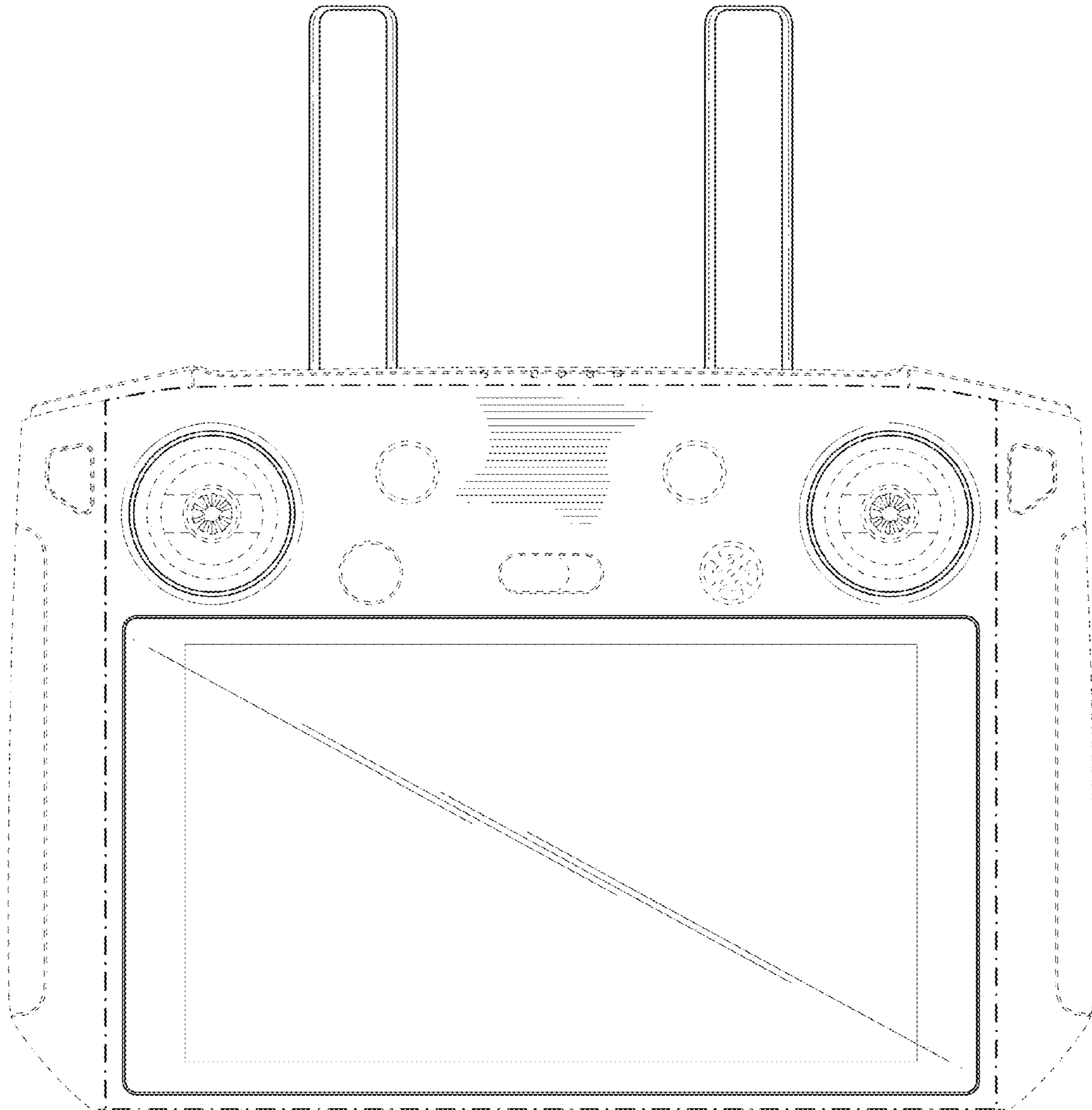


FIG. 3

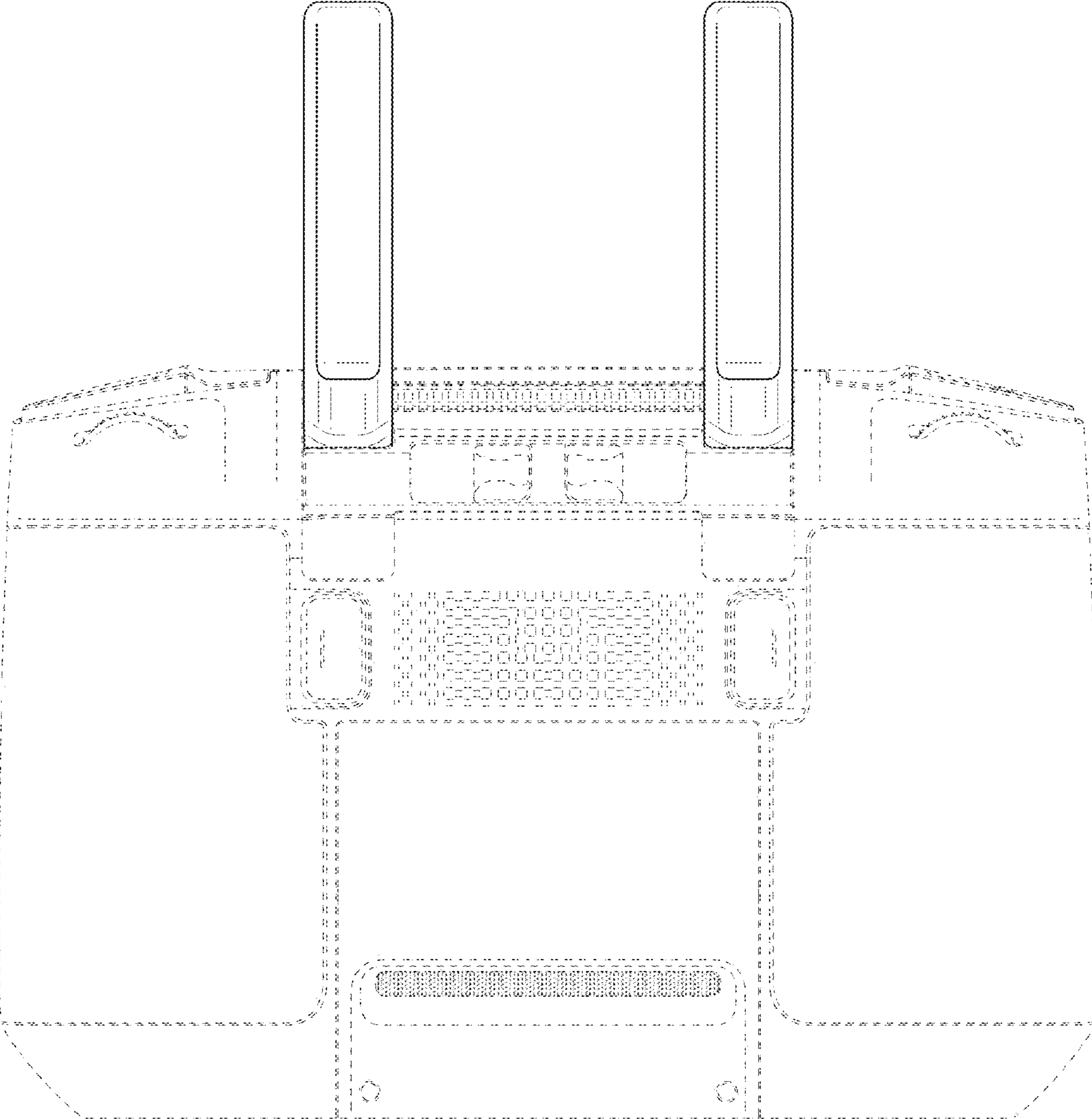


FIG. 4

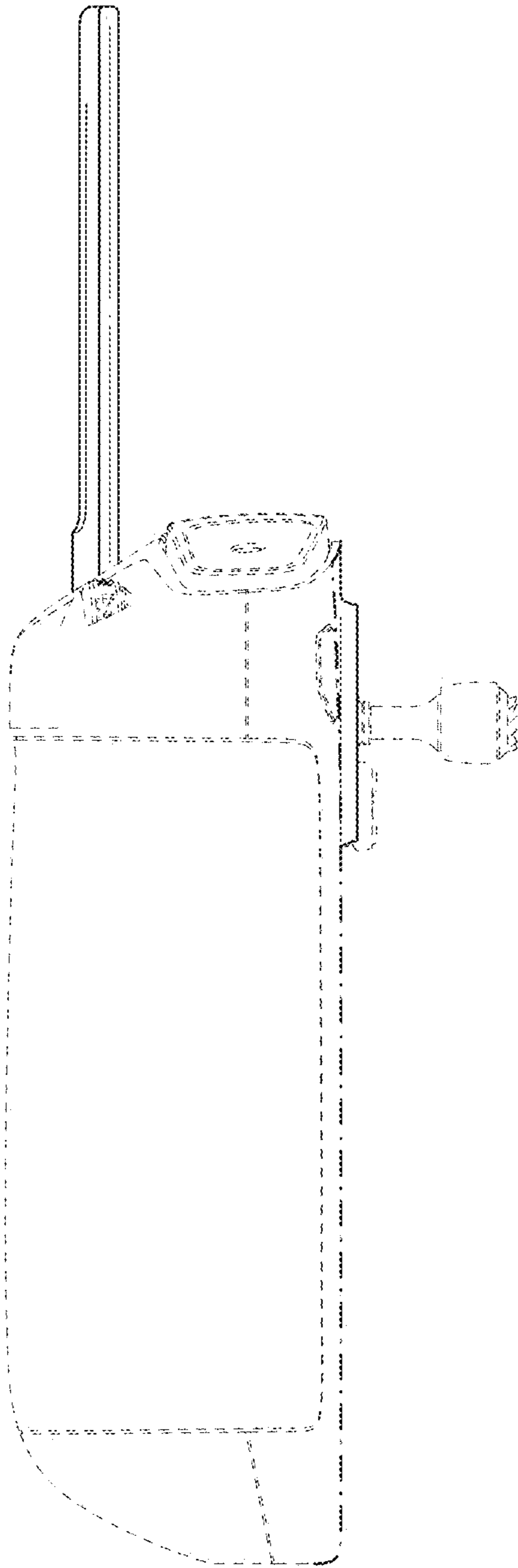


FIG. 5

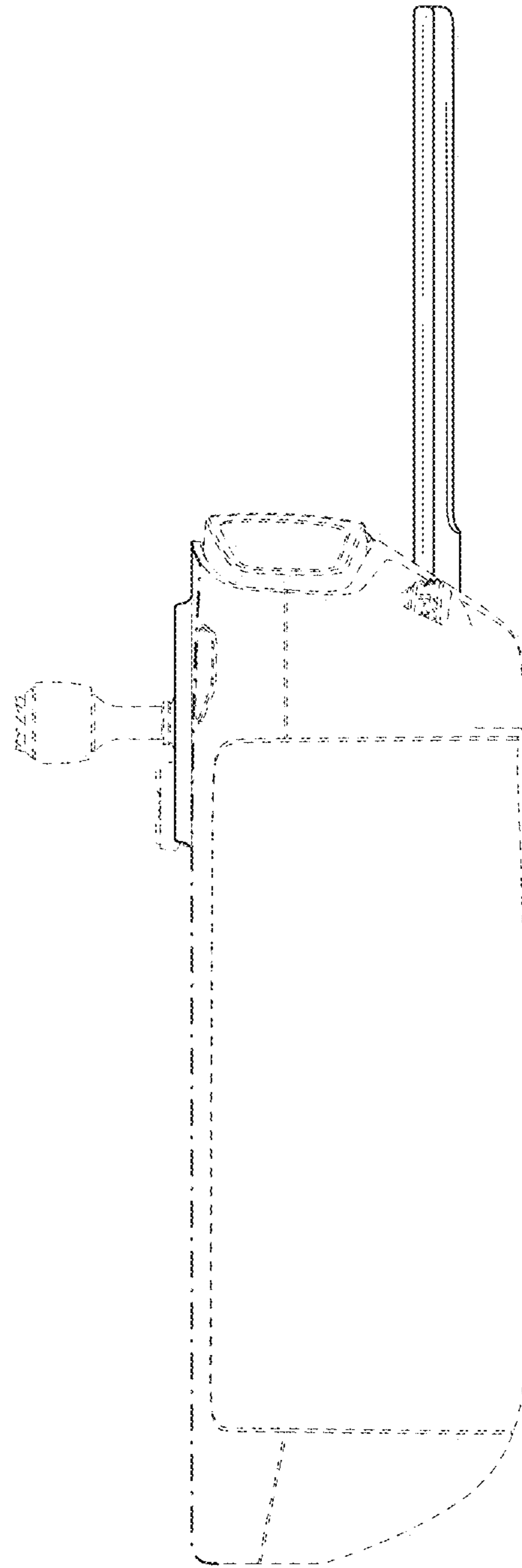


FIG. 6

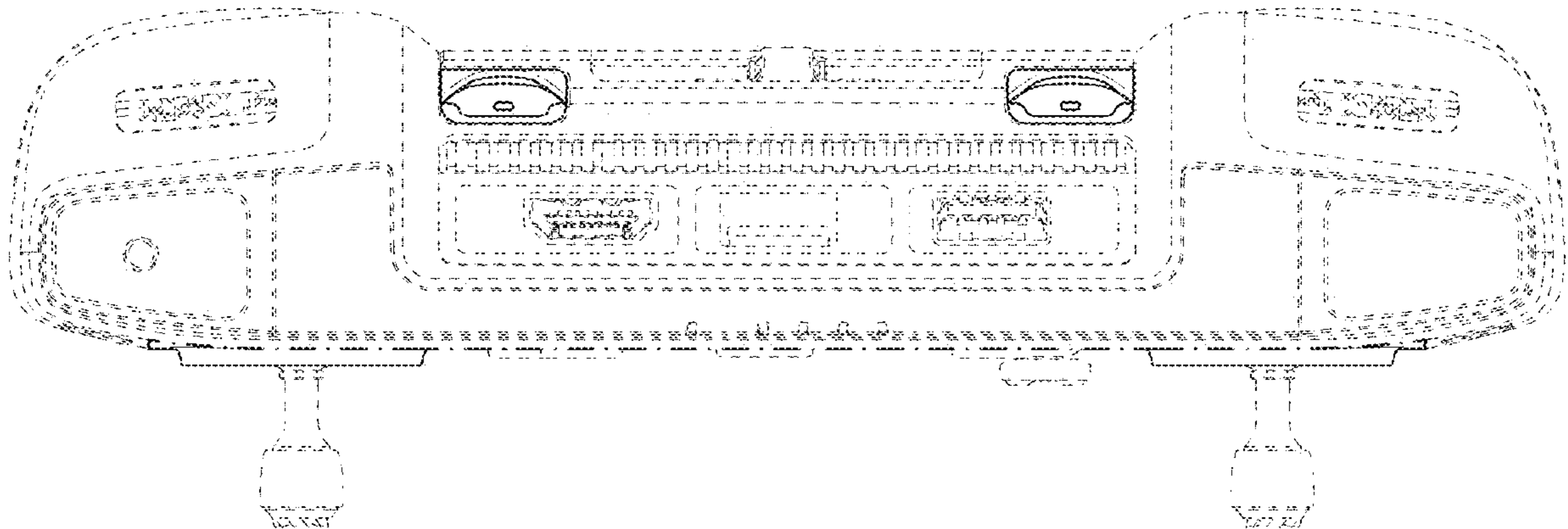


FIG. 7

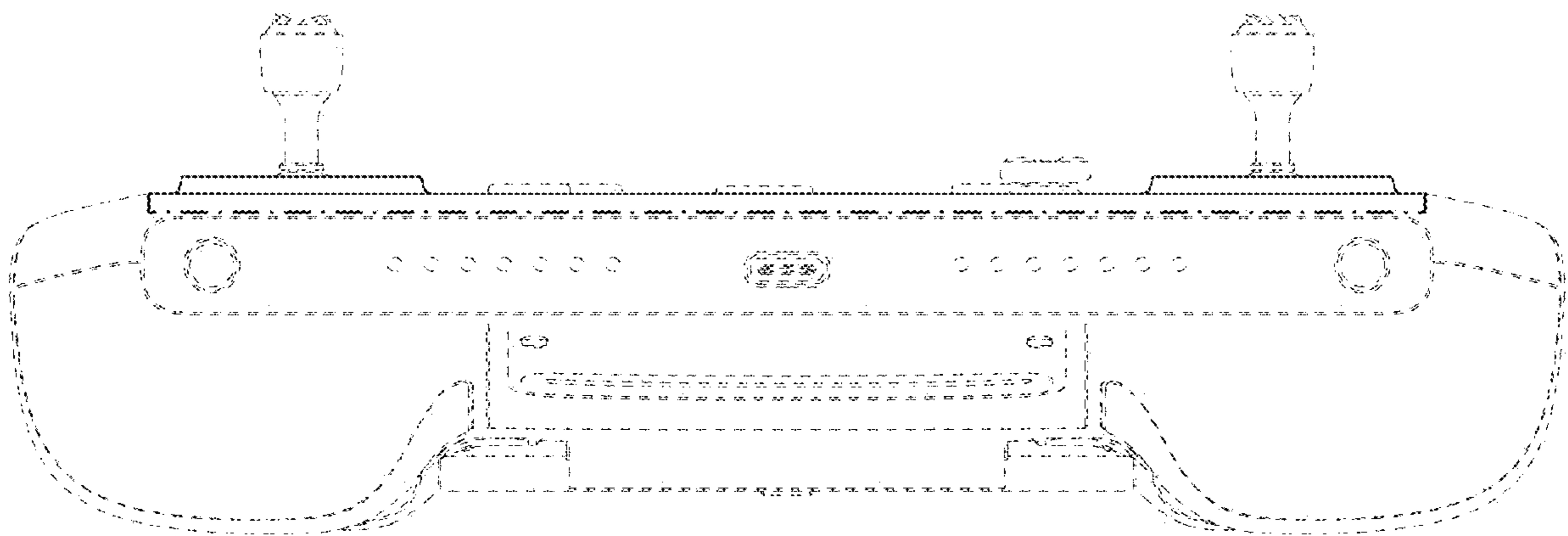


FIG. 8