



US00D899528S

(12) **United States Design Patent** (10) **Patent No.:** **US D899,528 S**
Brown et al. (45) **Date of Patent:** **** Oct. 20, 2020**

- (54) **FRAME FOR A SCOOTER**
- (71) Applicant: **East Simpson Enterprises Inc.**, Erie, CO (US)
- (72) Inventors: **Gabriel A. Brown**, Longmont, CO (US); **Curt R. Cheesman**, Erie, CO (US)
- (73) Assignee: **East Simpson Enterprises Inc.**, Erie, CO (US)
- (**) Term: **15 Years**
- (21) Appl. No.: **29/723,669**
- (22) Filed: **Feb. 10, 2020**

Related U.S. Application Data

- (63) Continuation of application No. 29/660,454, filed on Aug. 21, 2018, now Pat. No. Des. 880,622.
- (51) **LOC (12) Cl.** **21-01**
- (52) **U.S. Cl.**
USPC **D21/423**
- (58) **Field of Classification Search**
USPC D21/419, 421, 423, 760, 765, 771;
D12/1, 8, 107, 110, 112, 113, 114
CPC B62K 3/002; B62K 9/00; B62K 2202/00;
B60Y 2200/126
See application file for complete search history.

References Cited

U.S. PATENT DOCUMENTS

- D425,944 S * 5/2000 Lee D21/423
- 6,273,439 B1 * 8/2001 Ray B62K 3/002
280/63
- D457,197 S * 5/2002 Becker D21/423
- D492,367 S * 6/2004 Dennis D21/423

- D651,659 S * 1/2012 Scolari D21/423
- D654,962 S * 2/2012 Scolari D21/423
- D656,998 S * 4/2012 Wiggins D21/423
- D755,899 S * 5/2016 Castrucci D21/423
- D814,978 S * 4/2018 Niu D12/110
- D832,931 S * 11/2018 Gudushauri D21/423

OTHER PUBLICATIONS

Daymak Beast: A Solar Powered Mini-Bike Published Aug. 29, 2017. Author unknown. Retrieved from <https://oddtymall.com/daymak-s-the-beast-a-solar-powered-mini-bike>.

* cited by examiner

Primary Examiner — Cynthia M. Chin

(74) *Attorney, Agent, or Firm* — Schneider IP Law LLC; Laura Schneider

(57) **CLAIM**

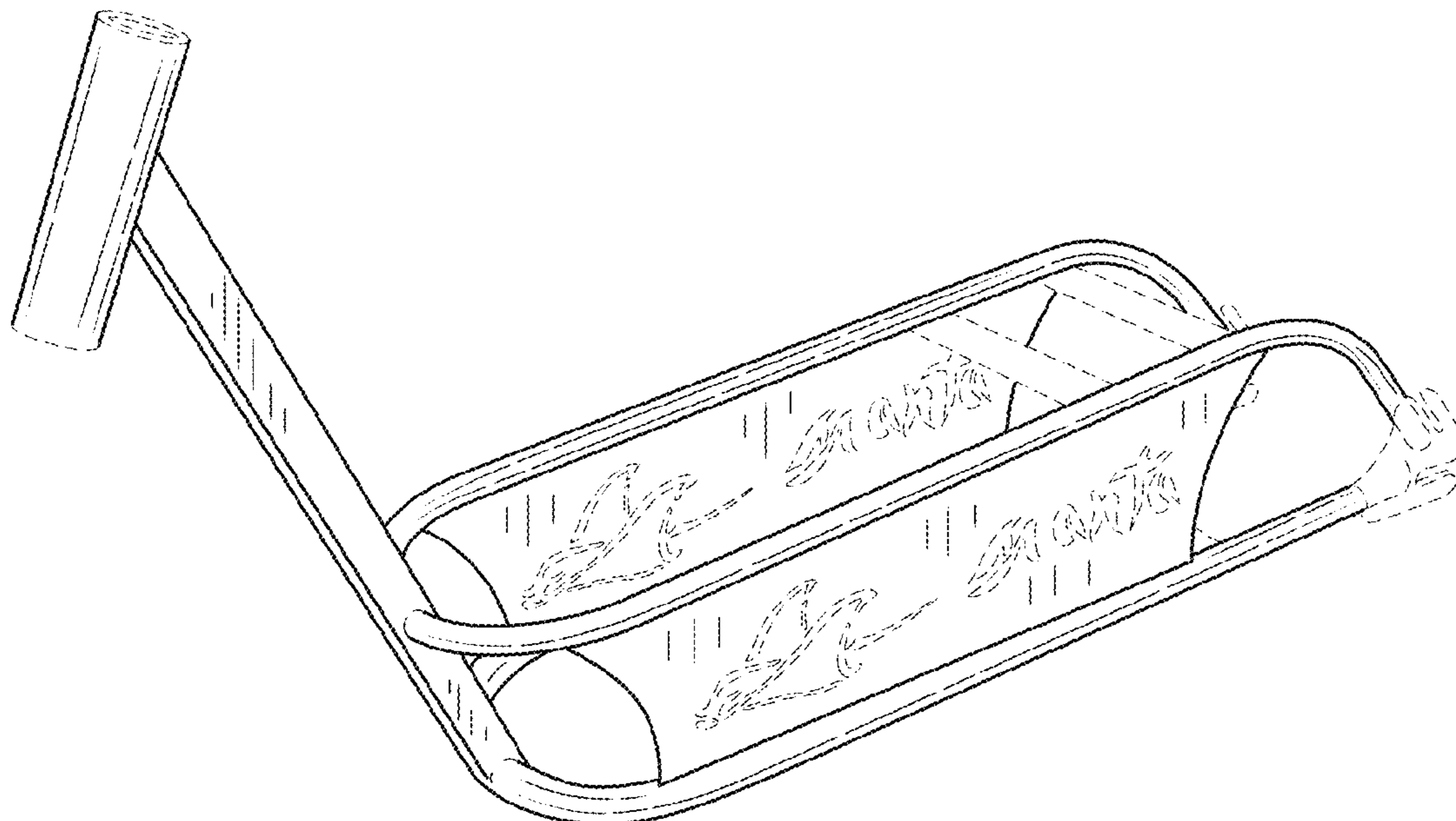
The ornamental design for a frame for a scooter, as shown and described.

DESCRIPTION

FIG. 1 is a perspective from the front and side of a frame for a scooter;
 FIG. 2 is a front perspective view of the frame for a scooter in FIG. 1;
 FIG. 3 is a back perspective view of the frame for a scooter in FIG. 1;
 FIG. 4 is a right side perspective view of the frame for a scooter in FIG. 1;
 FIG. 5 is a left side perspective view of the frame for a scooter in FIG. 1; and,
 FIG. 6 is a top perspective view of the frame for a scooter in FIG. 1.

The broken lines shown are included for the purpose of illustrating portions of the article which form no part of the claimed design.

1 Claim, 6 Drawing Sheets



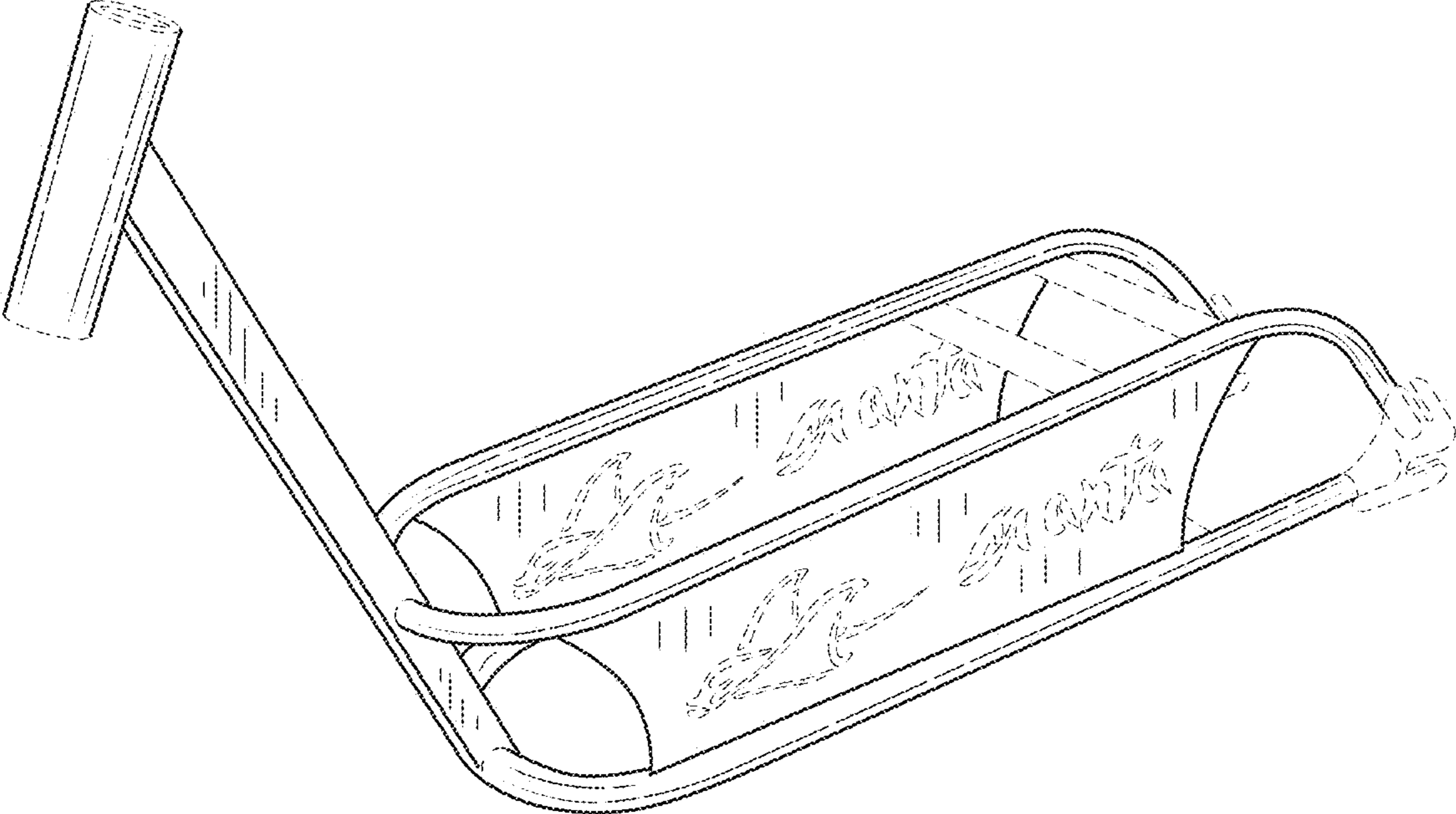


FIG.1

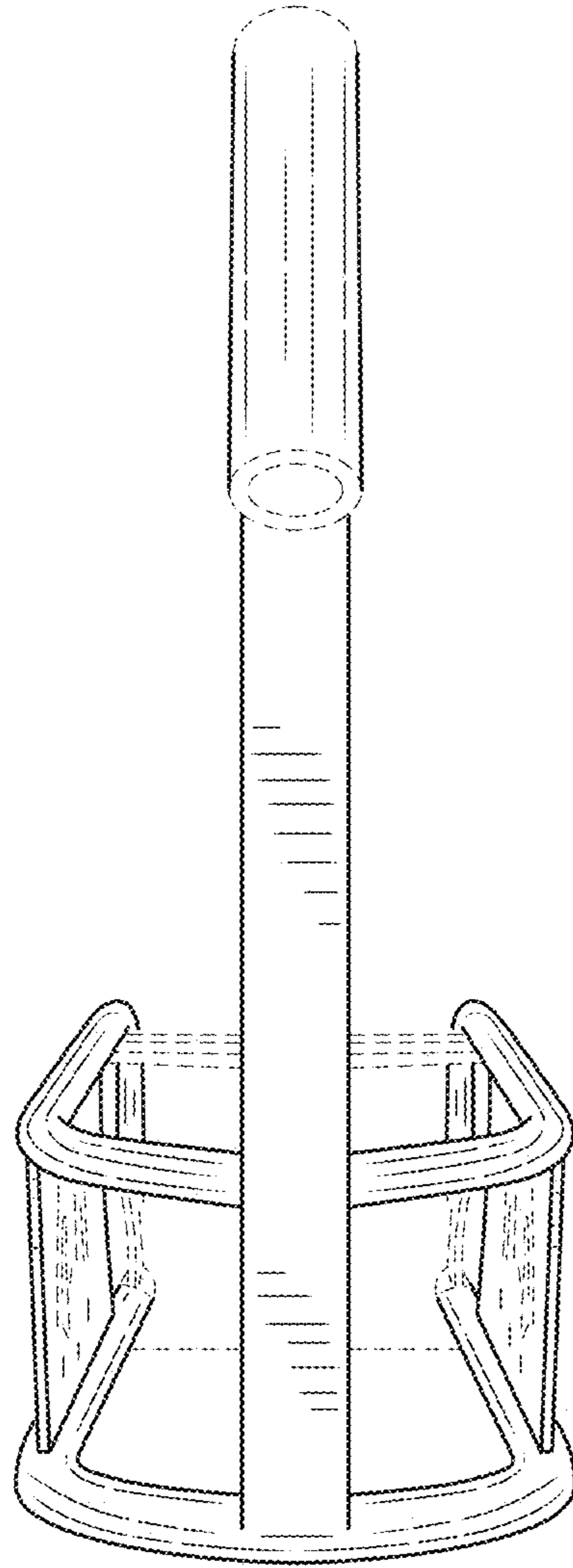


FIG.2

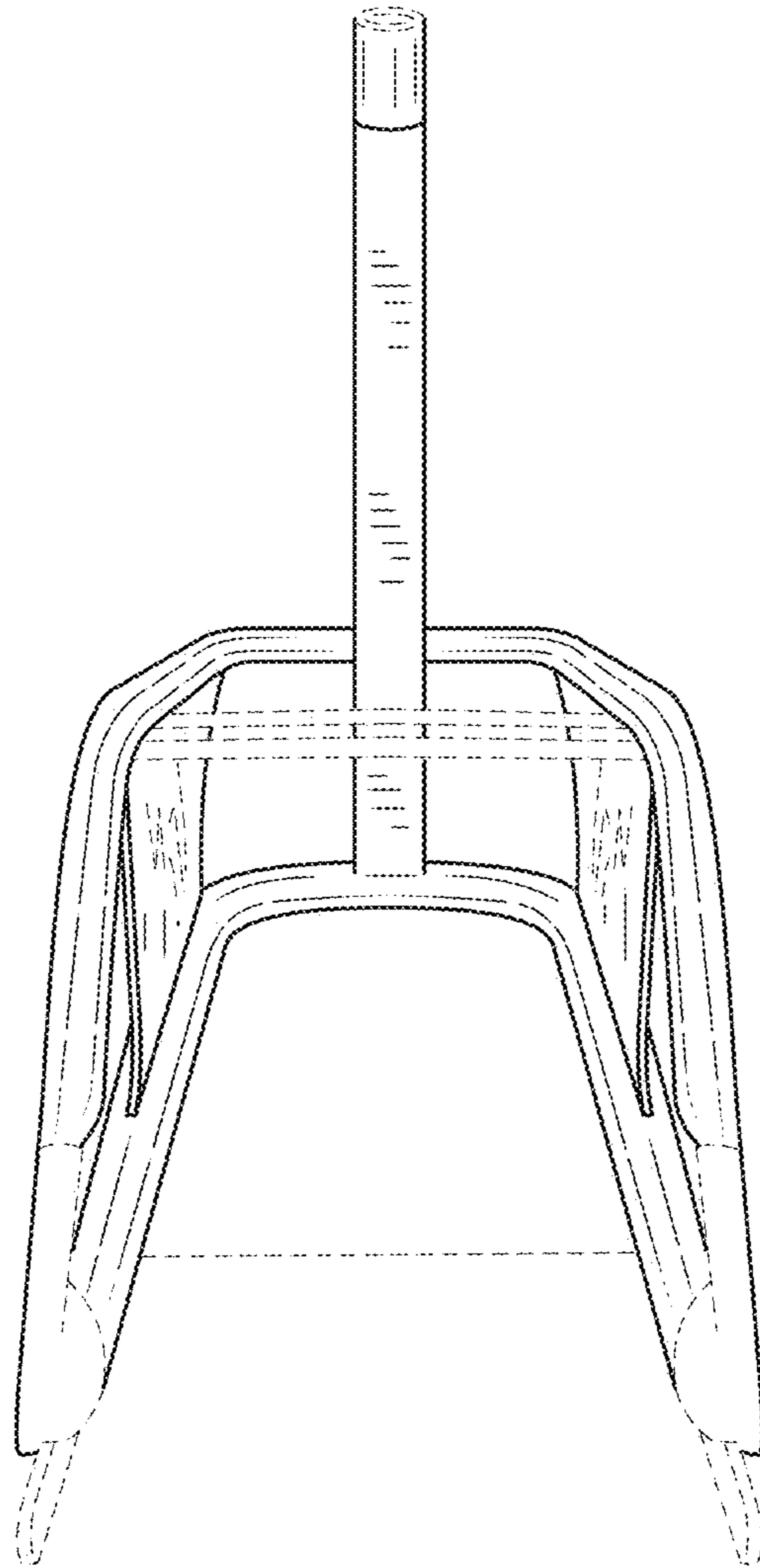


FIG.3

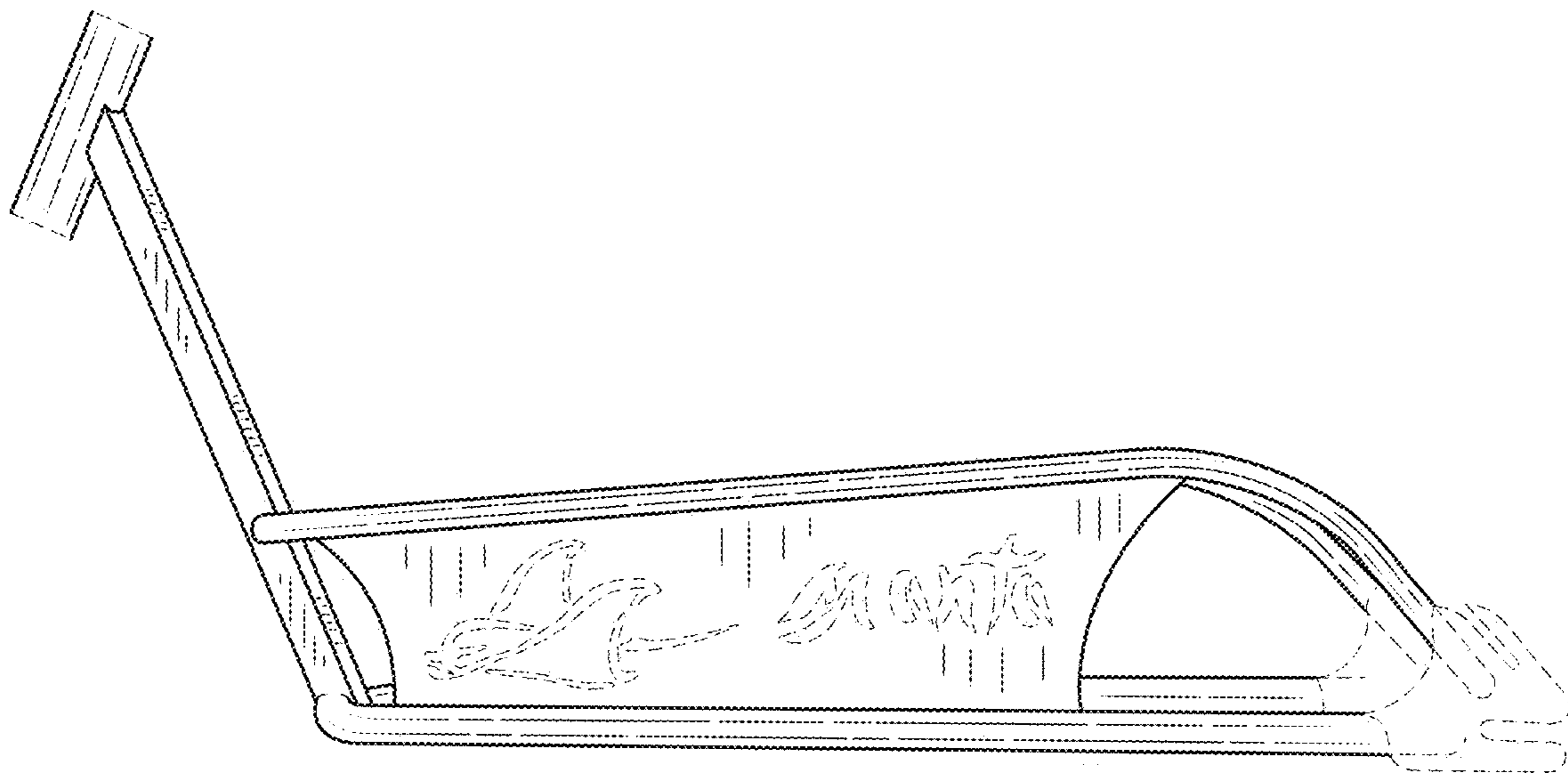


FIG.4

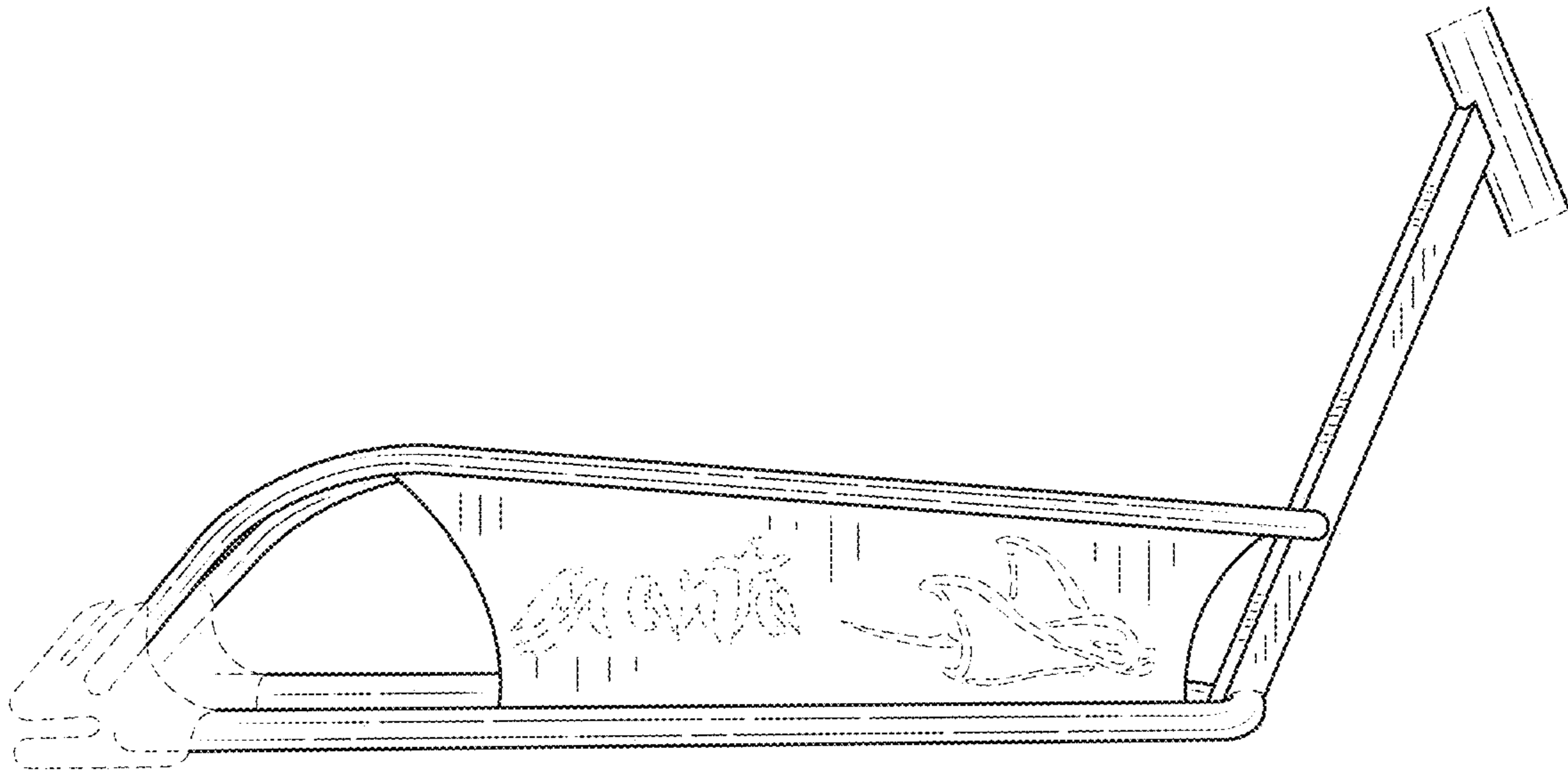


FIG.5

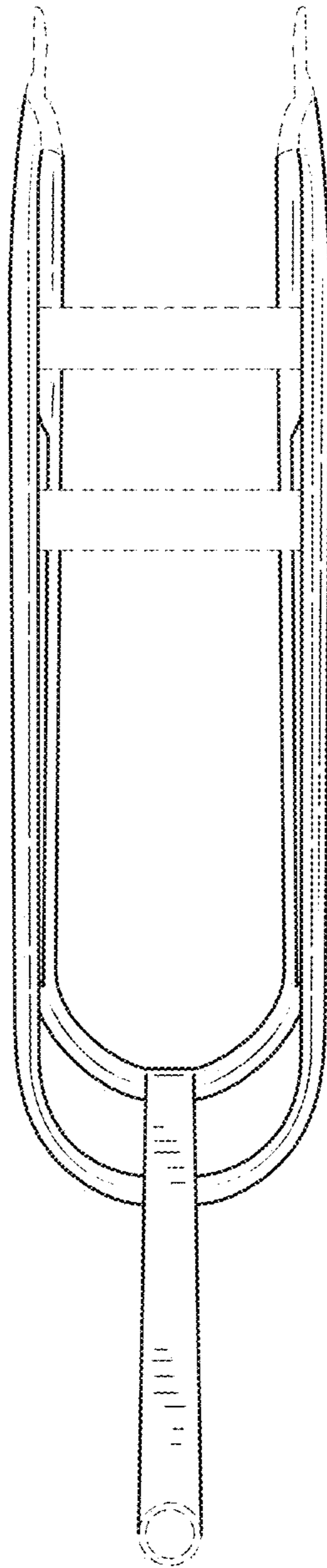


FIG.6