



US00D899527S

(12) **United States Design Patent**
Privitelli

(10) **Patent No.:** **US D899,527 S**

(45) **Date of Patent:** **** Oct. 20, 2020**

(54) **SINGLE UNIT WHEEL WITH HUB
ELECTRIC MOTOR**

(71) Applicant: **Greg Privitelli**, Wilmington, CA (US)

(72) Inventor: **Greg Privitelli**, Wilmington, CA (US)

(**) Term: **15 Years**

(21) Appl. No.: **29/675,264**

(22) Filed: **Dec. 29, 2018**

(51) **LOC (12) Cl.** **21-01**

(52) **U.S. Cl.**

USPC **D21/423**

(58) **Field of Classification Search**

USPC D21/419, 421, 423, 760, 765, 771;
D12/1, 107, 110, 112, 113, 114

CPC B62K 3/002; B62K 9/00; B62K 2202/00;
B60Y 2200/126

See application file for complete search history.

(56) **References Cited**

U.S. PATENT DOCUMENTS

D312,485 S *	11/1990	Turner	D21/423
D392,001 S *	3/1998	Chen	D12/111
5,992,864 A *	11/1999	Dickson	B62K 3/002
				280/87.041
D513,772 S *	1/2006	Otis	D21/423
D755,899 S *	5/2016	Castrucci	D21/423
D778,806 S *	2/2017	Welford	D12/423
10,183,718 B2 *	1/2019	Privitelli	B62K 3/002

D865,874 S *	11/2019	Maruszewski	B62K 3/002
2004/0227317 A1 *	11/2004	Cheng	B62K 3/002
				280/87.041
2019/0337333 A1 *	11/2019	Vermeulen	B60B 1/06

* cited by examiner

Primary Examiner — Cynthia M. Chin

(57) **CLAIM**

The ornamental design for a single unit wheel with a hub electric motor, as shown and described.

DESCRIPTION

FIG. 1 is a front/left perspective view of the single unit wheel with hub electric motor of my new design;

FIG. 2 is a side view of the single unit wheel with hub electric motor, as seen from the left side of FIG. 4;

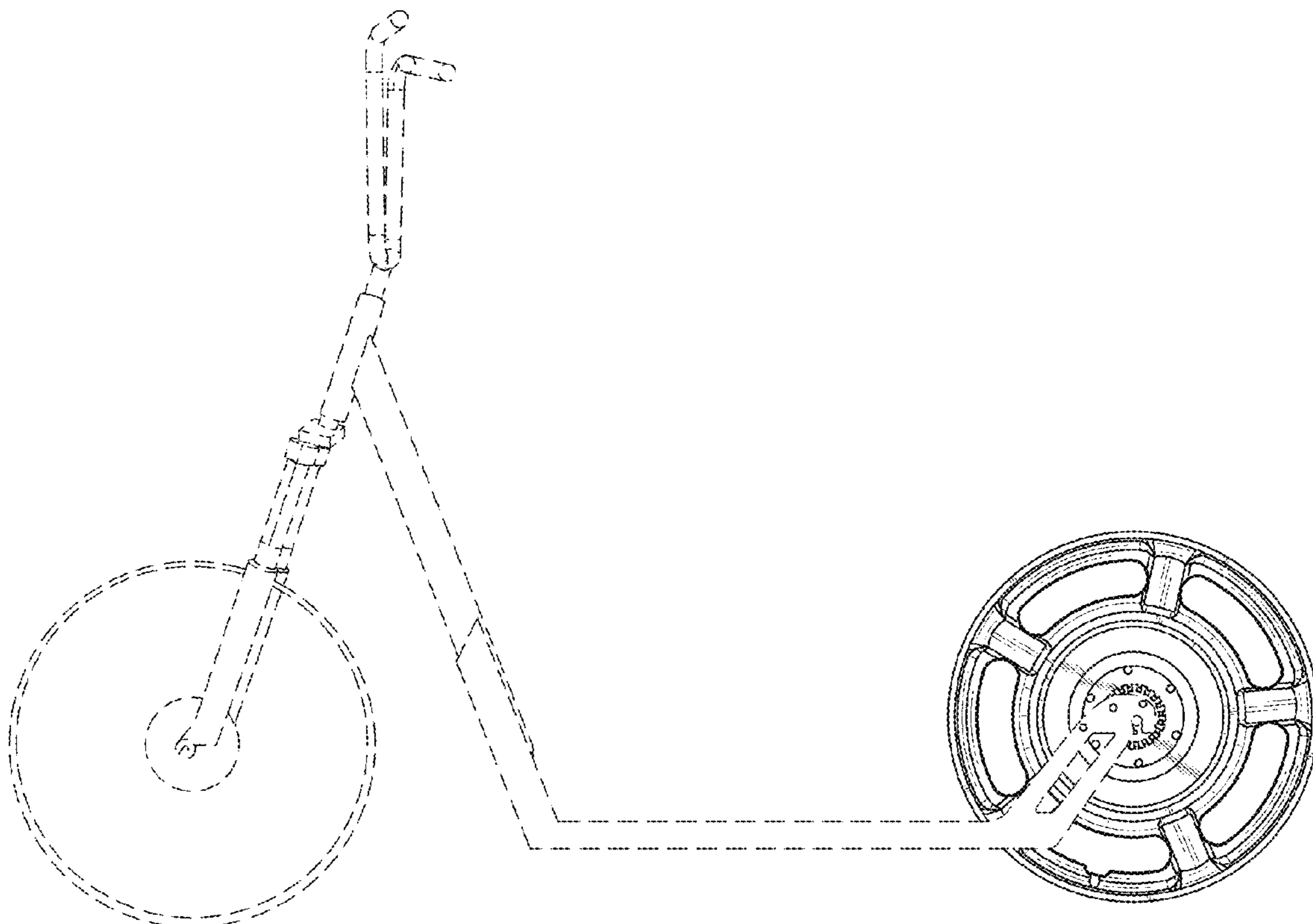
FIG. 3 is a side view of the single unit wheel with hub electric motor of FIG. 1, as seen from the right side view of FIG. 4;

FIG. 4 is a rear view of the single unit wheel with hub electric motor of FIG. 1; and,

FIG. 5 is a side view of the single unit wheel with hub electric motor mounted on the embodiment of a two wheel stand-up scooter, strictly as a sample perspective of one application, as seen from the left side of FIG. 4.

The broken lines in FIGS. 1-4 are for the purpose of illustration portions of the single unit wheel with hub electric motor that form no part of the claim. The broken lines in FIG. 5 represent a sample perspective environment in which the article resides. None of the broken lines form a part of the claimed design.

1 Claim, 5 Drawing Sheets



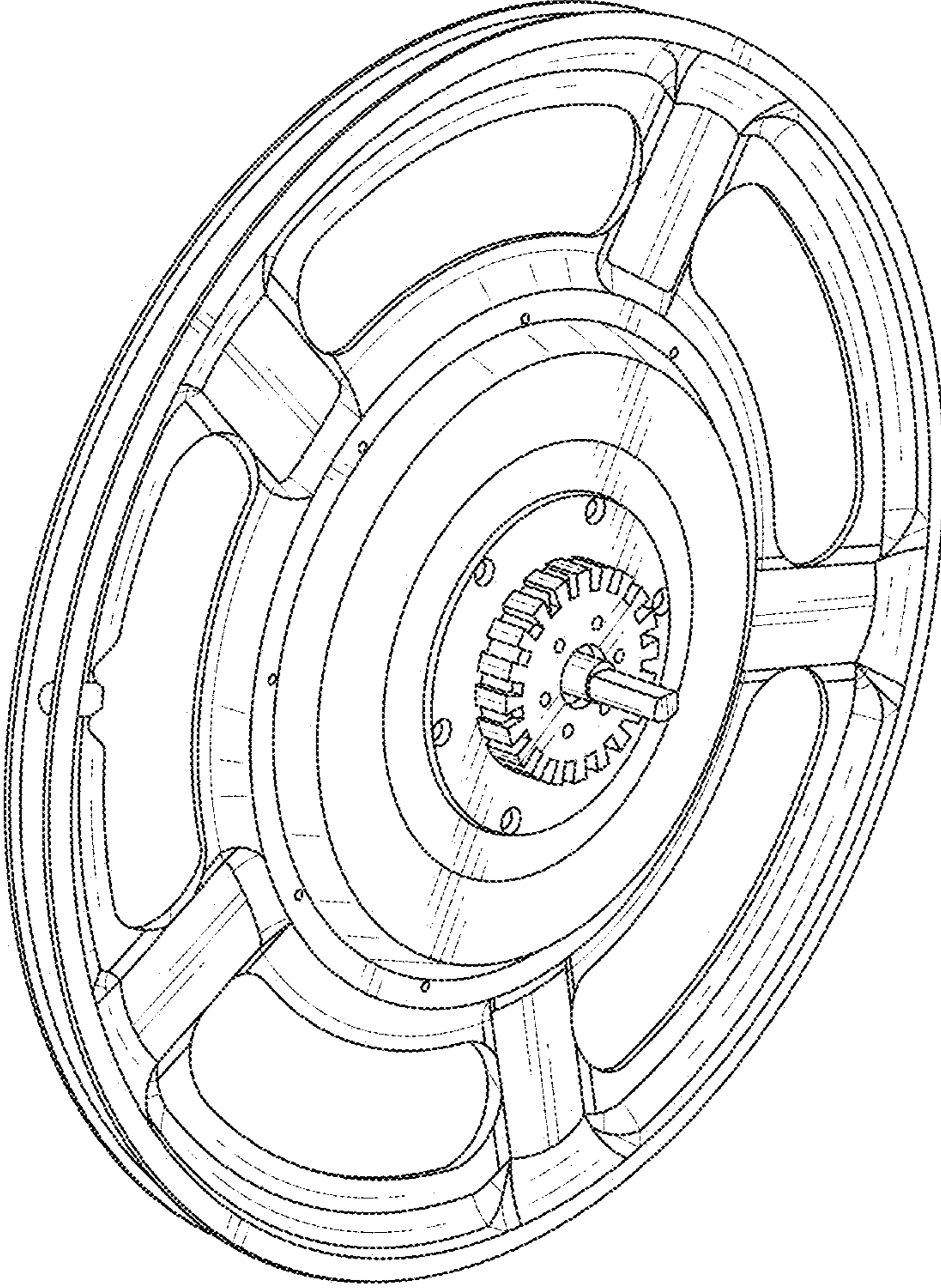


FIG. 1

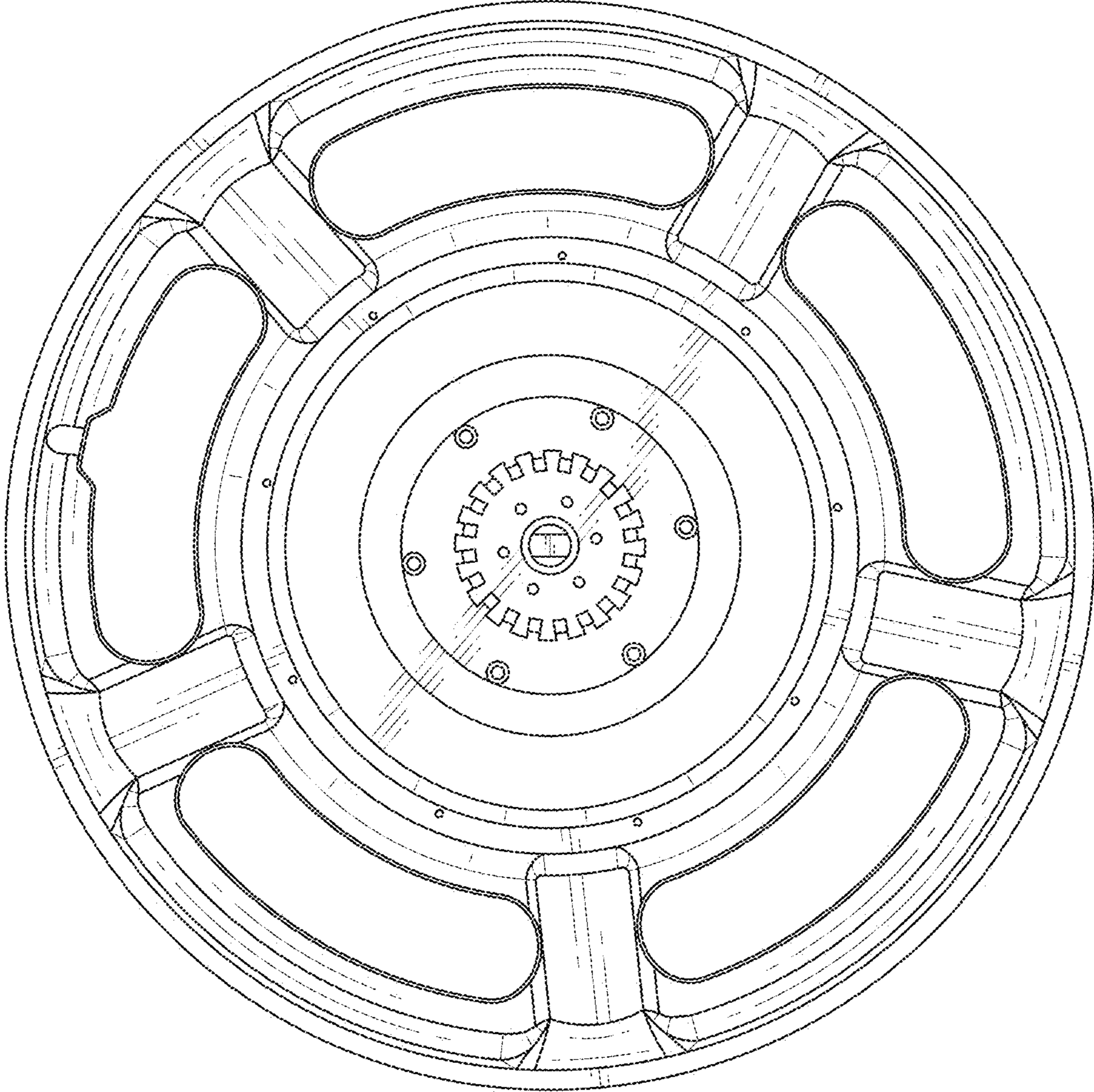


FIG. 2

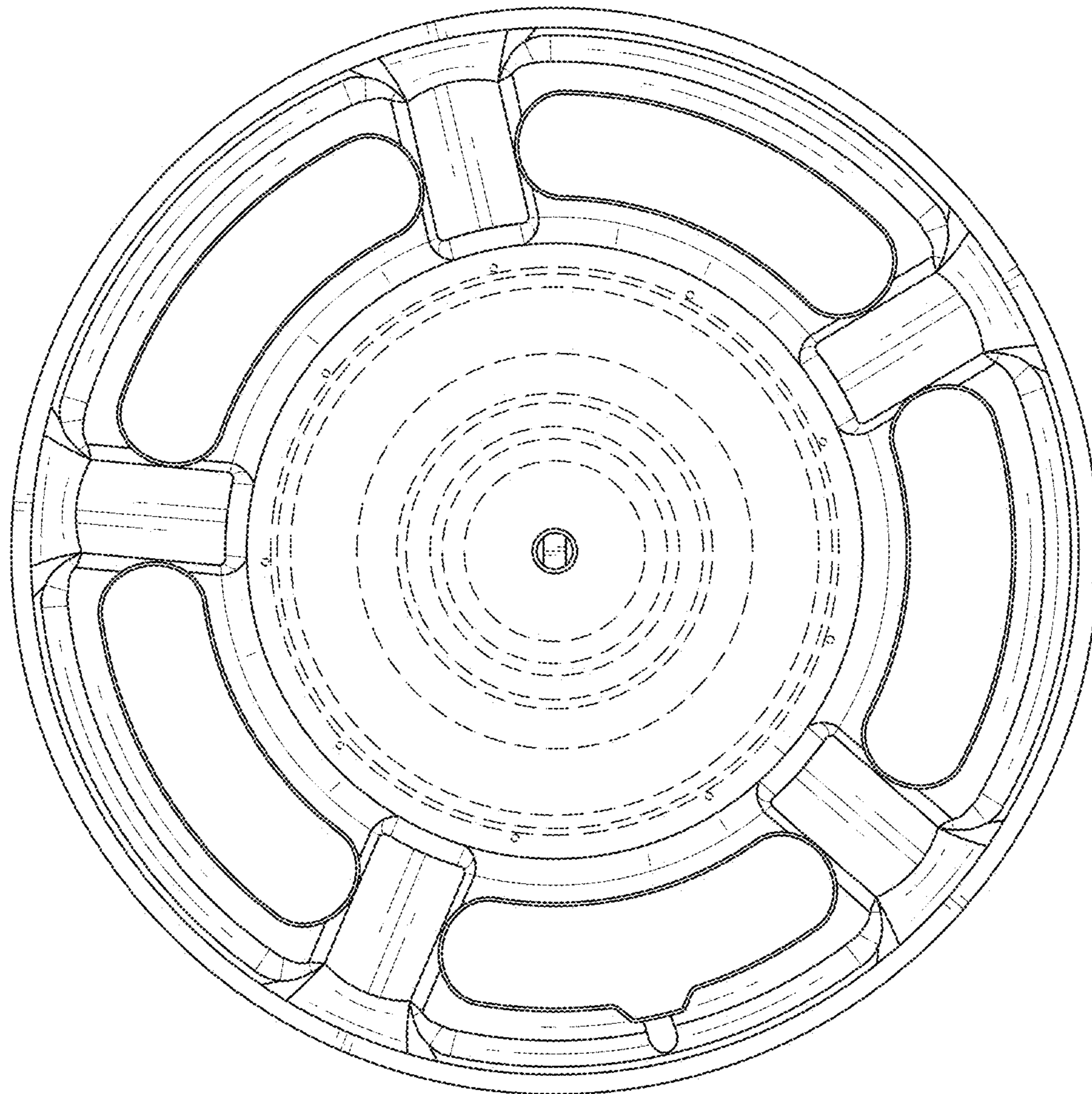


FIG. 3

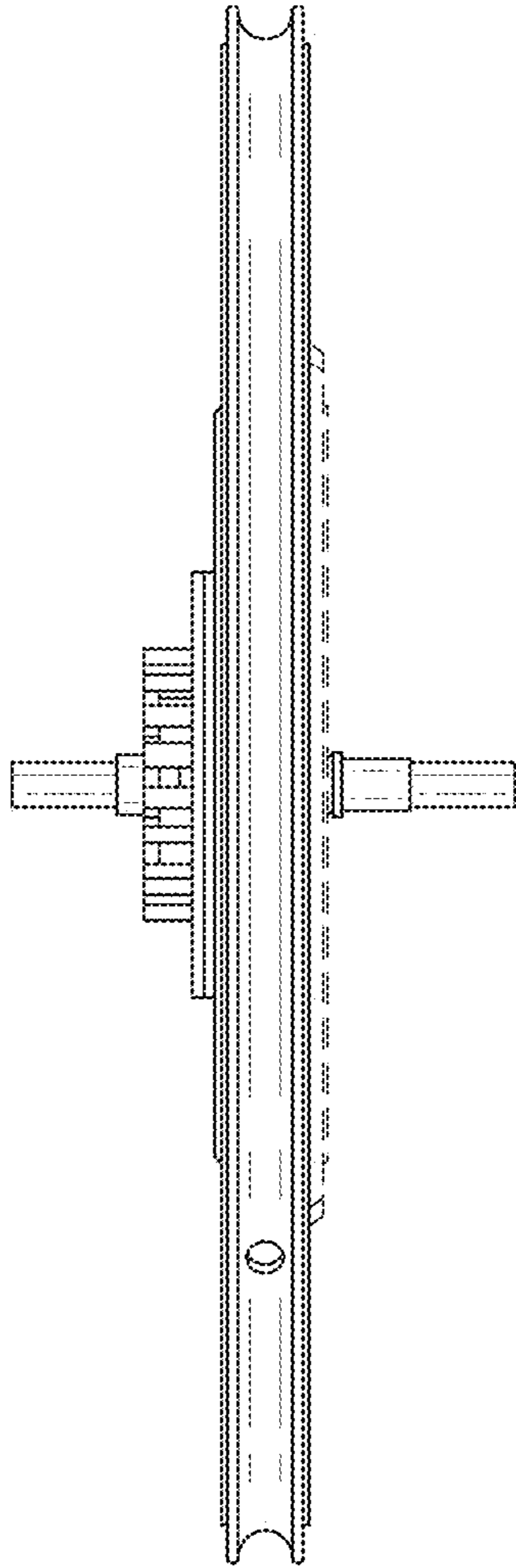


FIG. 4

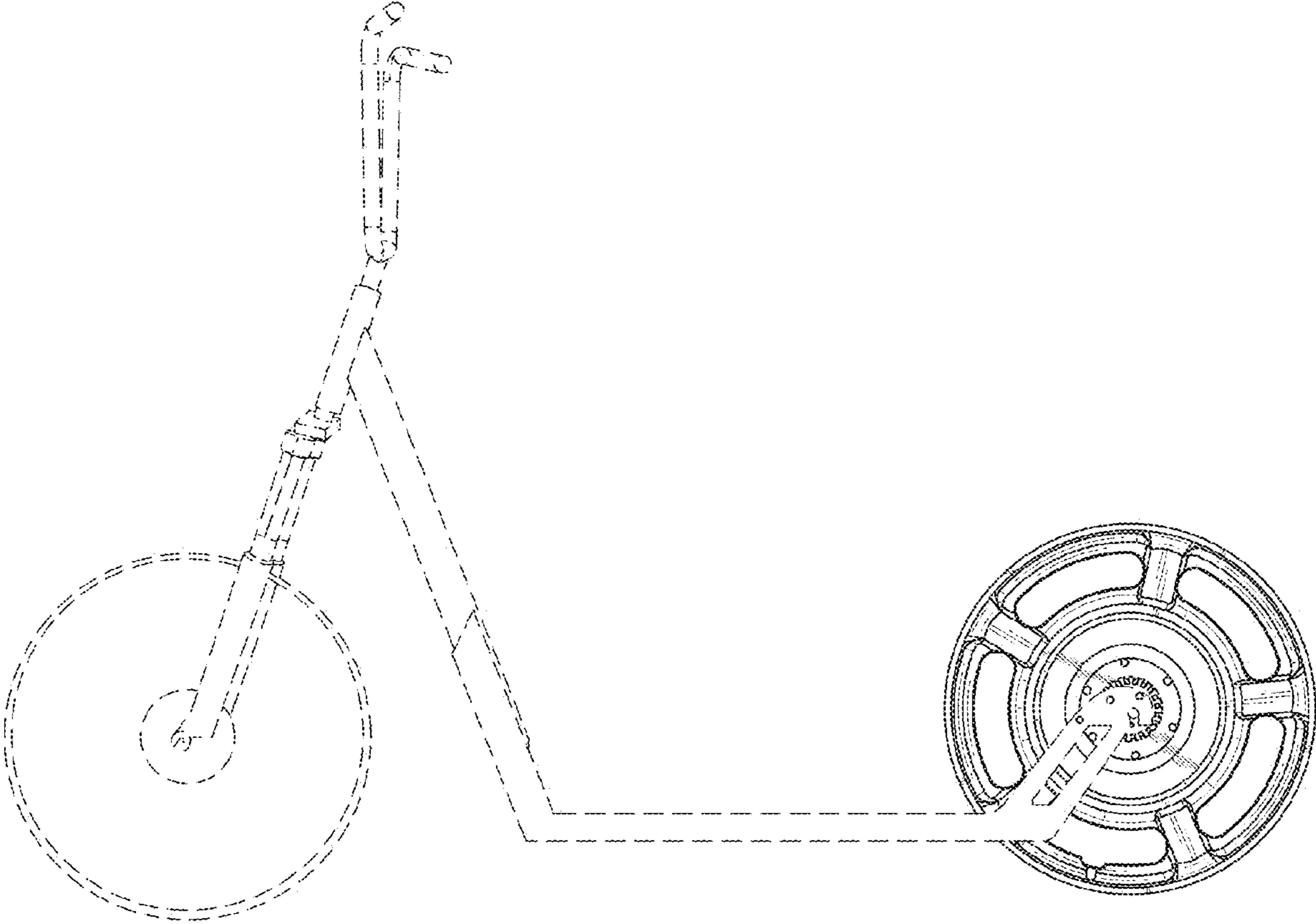


FIG. 5