

US00D899525S

(12) **United States Design Patent**  
**Egar et al.**

(10) **Patent No.:** **US D899,525 S**  
(45) **Date of Patent:** **\*\* Oct. 20, 2020**

(54) **GAMING MACHINE TOPPER**

(71) Applicant: **ARISTOCRAT TECHNOLOGIES AUSTRALIA PTY LIMITED**, North Ryde, NSW (AU)

(72) Inventors: **Daniel Egar**, Las Vegas, NV (US);  
**John Curtis**, Las Vegas, NV (US)

(73) Assignee: **Aristocrat Technologes Australia Pty Limited**, North Ryde, NSW (AU)

(\*\*) Term: **15 Years**

(21) Appl. No.: **29/665,421**

(22) Filed: **Oct. 3, 2018**

(51) **LOC (12) Cl.** ..... **21-03**

(52) **U.S. Cl.**  
USPC ..... **D21/369**

(58) **Field of Classification Search**  
USPC ..... D21/369, 370, 371, 385, 329, 325, 394,  
D21/327, 331; D14/307, 172, 129, 325,  
(Continued)

(56) **References Cited**

**U.S. PATENT DOCUMENTS**

D392,689 S 3/1998 Muraki et al.  
D396,888 S 8/1998 Hayashi  
(Continued)

**OTHER PUBLICATIONS**

Design U.S. Appl. No. 29/613,149, filed Aug. 8, 2017.  
Design U.S. Appl. No. 29/613,154, filed Mar. 8, 2018.  
Design U.S. Appl. No. 29/639,694, filed Mar. 8, 2018.

*Primary Examiner* — Ryan Harvey

(74) *Attorney, Agent, or Firm* — Armstrong Teasdale LLP

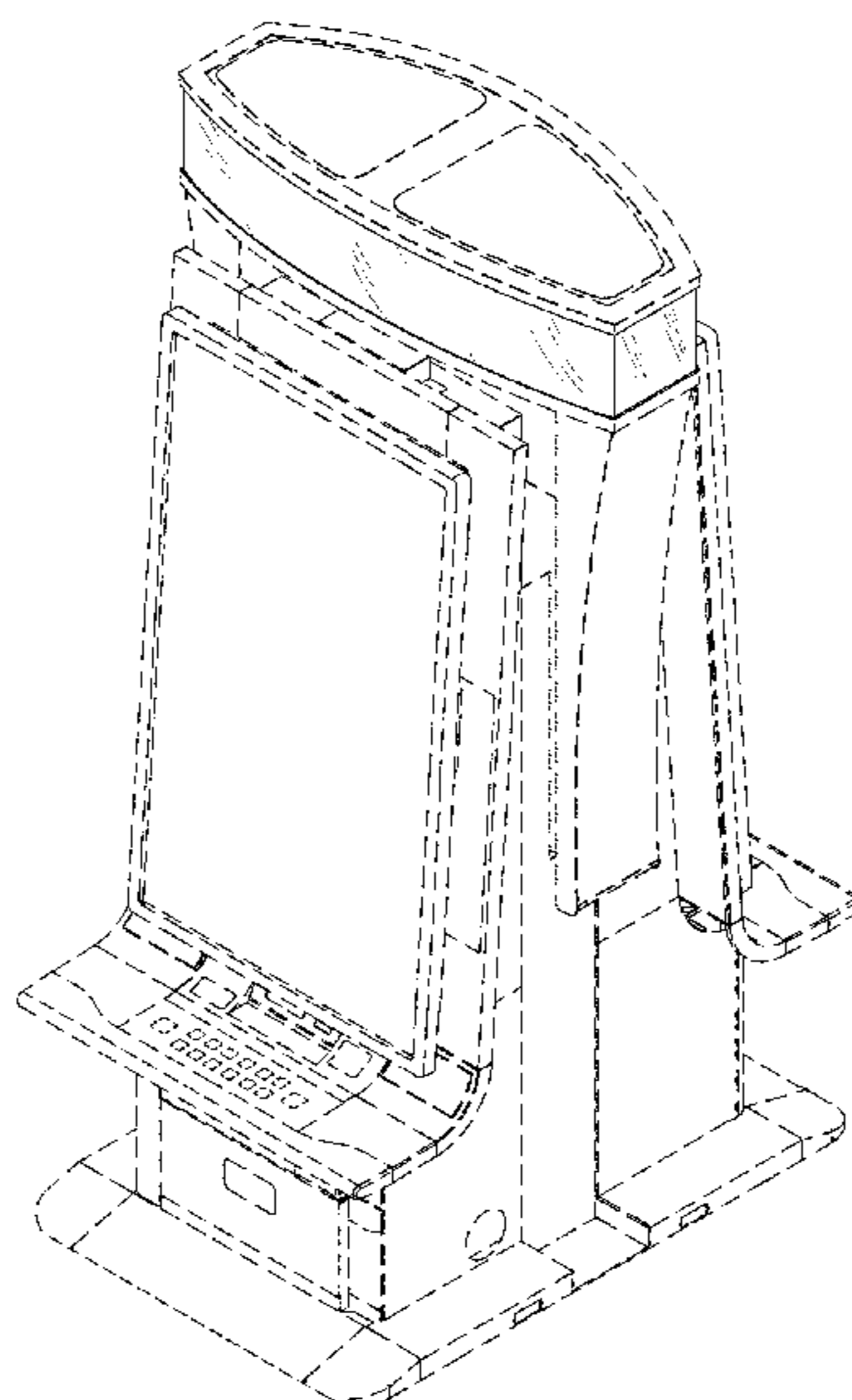
(57) **CLAIM**

We claim the ornamental design for a gaming machine topper, as shown and described.

**DESCRIPTION**

FIG. 1 is a front perspective view of a gaming machine topper showing our new design between two opposed electronic gaming machines;  
FIG. 2 is a front view of the gaming machine topper shown in FIG. 1;  
FIG. 3 is a back view of the gaming machine topper shown in FIG. 1;  
FIG. 4 is a right side view of the gaming machine topper shown in FIG. 1;  
FIG. 5 is a left side view of the gaming machine topper shown in FIG. 1;  
FIG. 6 is a top view of the gaming machine topper shown in FIG. 1;  
FIG. 7 is a bottom view of the gaming machine topper shown in FIG. 1;  
FIG. 8 is another front perspective view of the gaming machine topper shown in FIG. 1;  
FIG. 9 is a front perspective view of the gaming machine topper showing in FIG. 1 without the two gaming machines;  
FIG. 10 is a front view of the gaming machine topper shown in FIG. 9;  
FIG. 11 is a back view of the gaming machine topper shown in FIG. 9;  
FIG. 12 is a right side view of the gaming machine topper shown in FIG. 9;  
FIG. 13 is a left side view of the gaming machine topper shown in FIG. 9;  
FIG. 14 is a top view of the gaming machine topper shown in FIG. 9;  
FIG. 15 is a bottom view of the gaming machine topper shown in FIG. 9; and,  
FIG. 16 is another front perspective view of the gaming machine topper shown in FIG. 9.  
In these drawings, broken lines illustrate unclaimed environmental features and form no part of the claimed design.

**1 Claim, 16 Drawing Sheets**



(58) **Field of Classification Search**

USPC ..... D14/401, 371, 126, 439, 432, 450, 128,  
D14/375, 248, 374, 341, 138 G, 127, 240,  
D14/137, 344, 480, 214, 125; 463/28,  
463/13, 11, 16, 20, 25, 31, 46, 23, 30, 17,  
463/36, 29, 42, 34, 32, 35, 19, 21, 22;  
273/292, 203, 138.2, 143 R, 142 R, 138.1,  
273/143, 142; D19/60; D16/226;  
D8/335, 331, 334; D26/141; D7/641;  
D99/28  
CPC ..... G07F 17/32; G07F 17/34; G07F 17/3211;  
G07F 17/3244; G07F 17/3267; G07F  
17/3202; A63F 13/12

See application file for complete search history.

(56) **References Cited**

U.S. PATENT DOCUMENTS

D396,898 S	8/1998	Tsuda	
D413,936 S	9/1999	Uehara	
D510,959 S	10/2005	Morrison	
D770,406 S *	11/2016	Fleming, Jr. ....	D14/125
D792,520 S	7/2017	Hohman	
D877,810 S *	3/2020	Nelson .....	D21/369
D877,811 S *	3/2020	Bernard .....	D21/369
D882,699 S *	4/2020	Bernard .....	D21/385
D882,700 S *	4/2020	Wudtke .....	D21/385
D883,393 S *	5/2020	Bernard .....	D21/385

\* cited by examiner

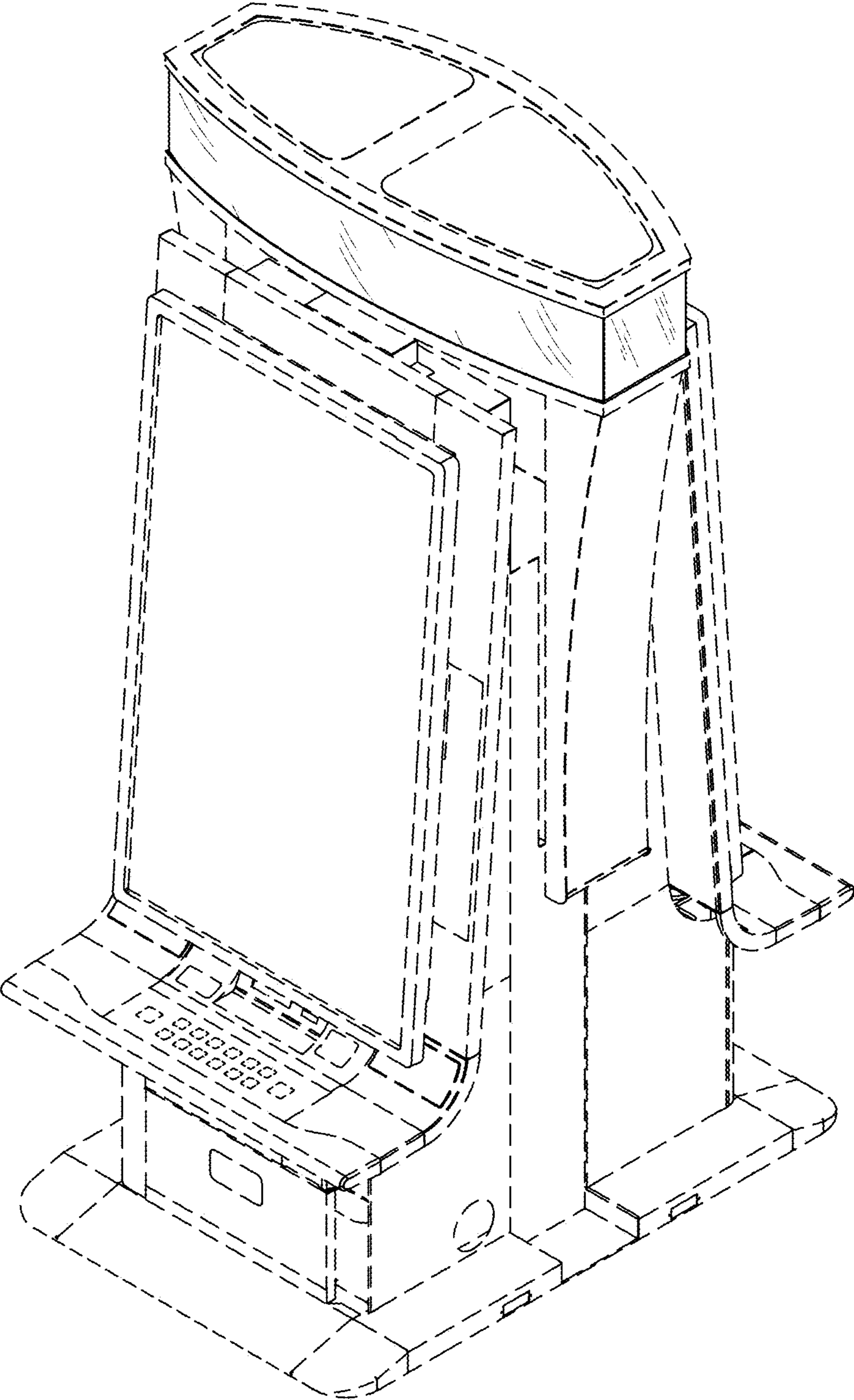


FIG. 1

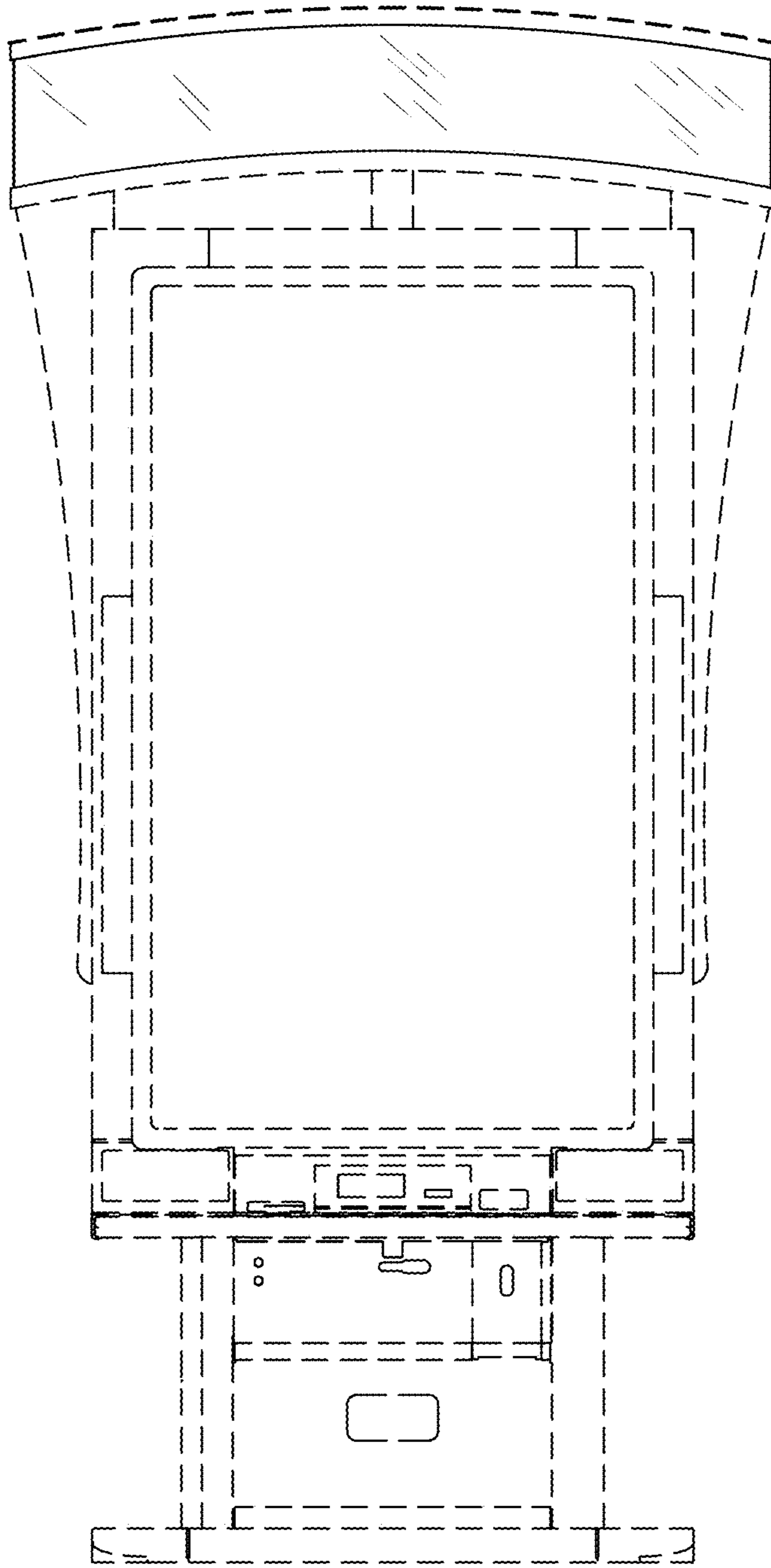


FIG. 2

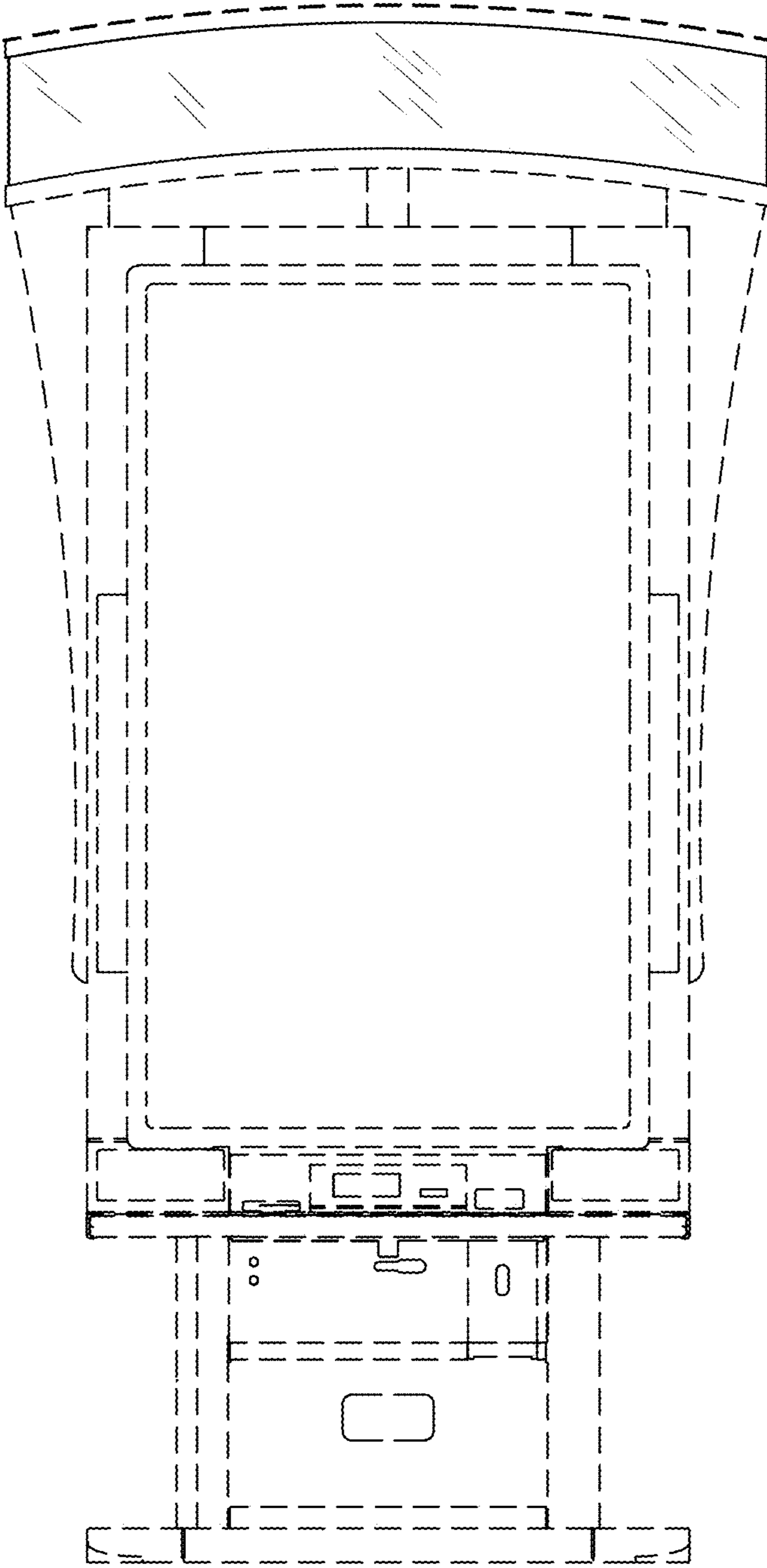


FIG. 3

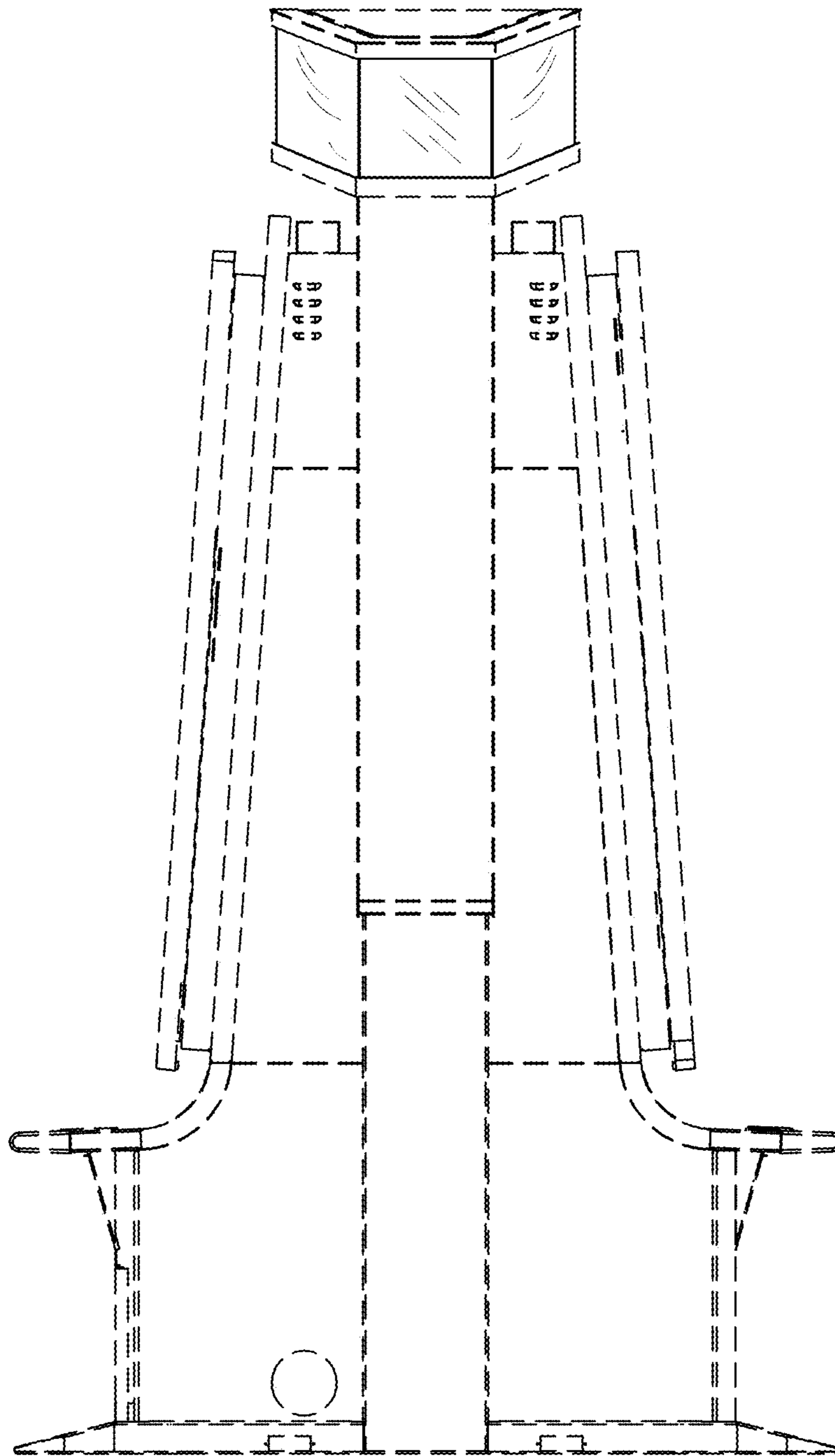


FIG. 4

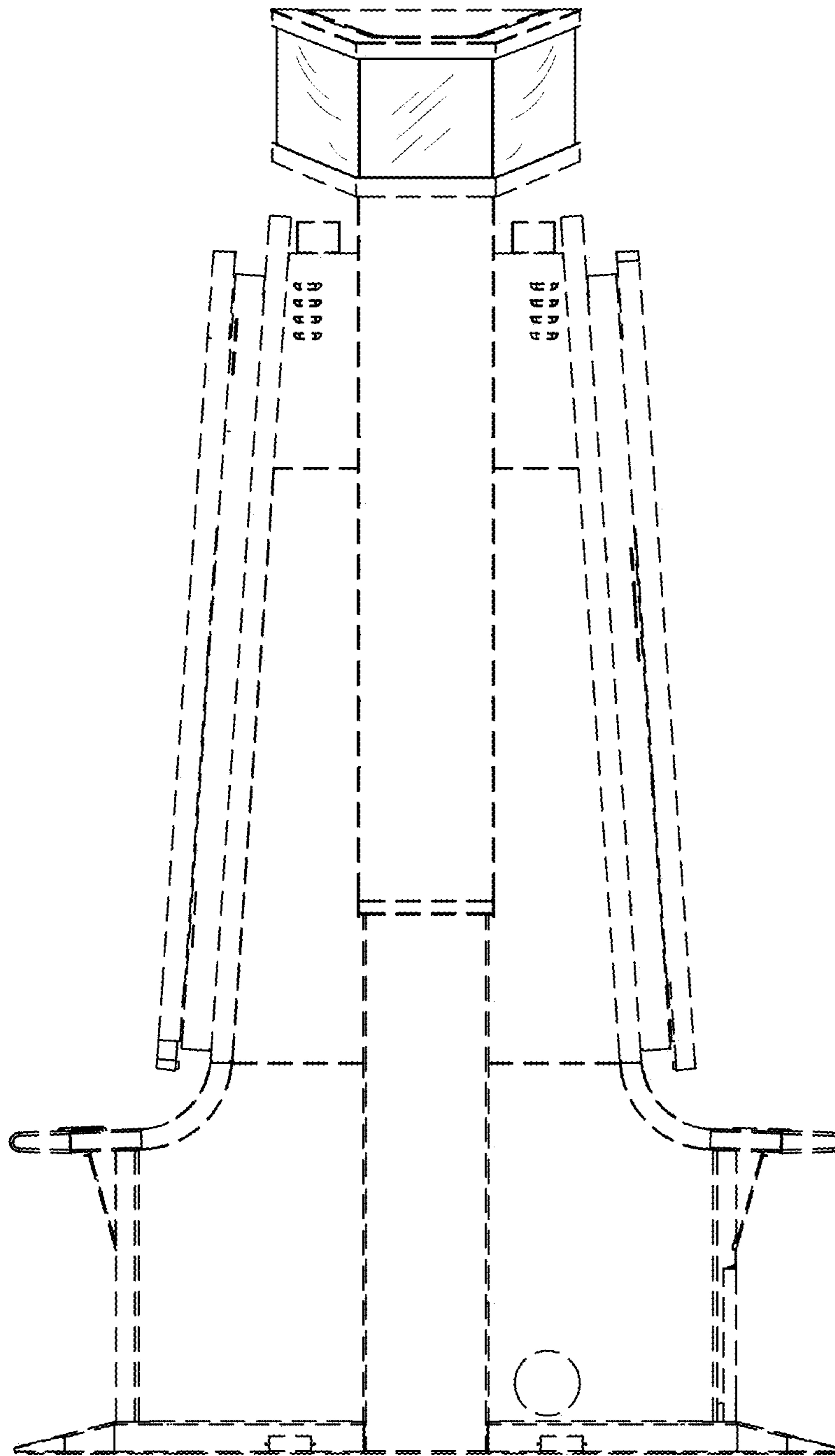


FIG. 5

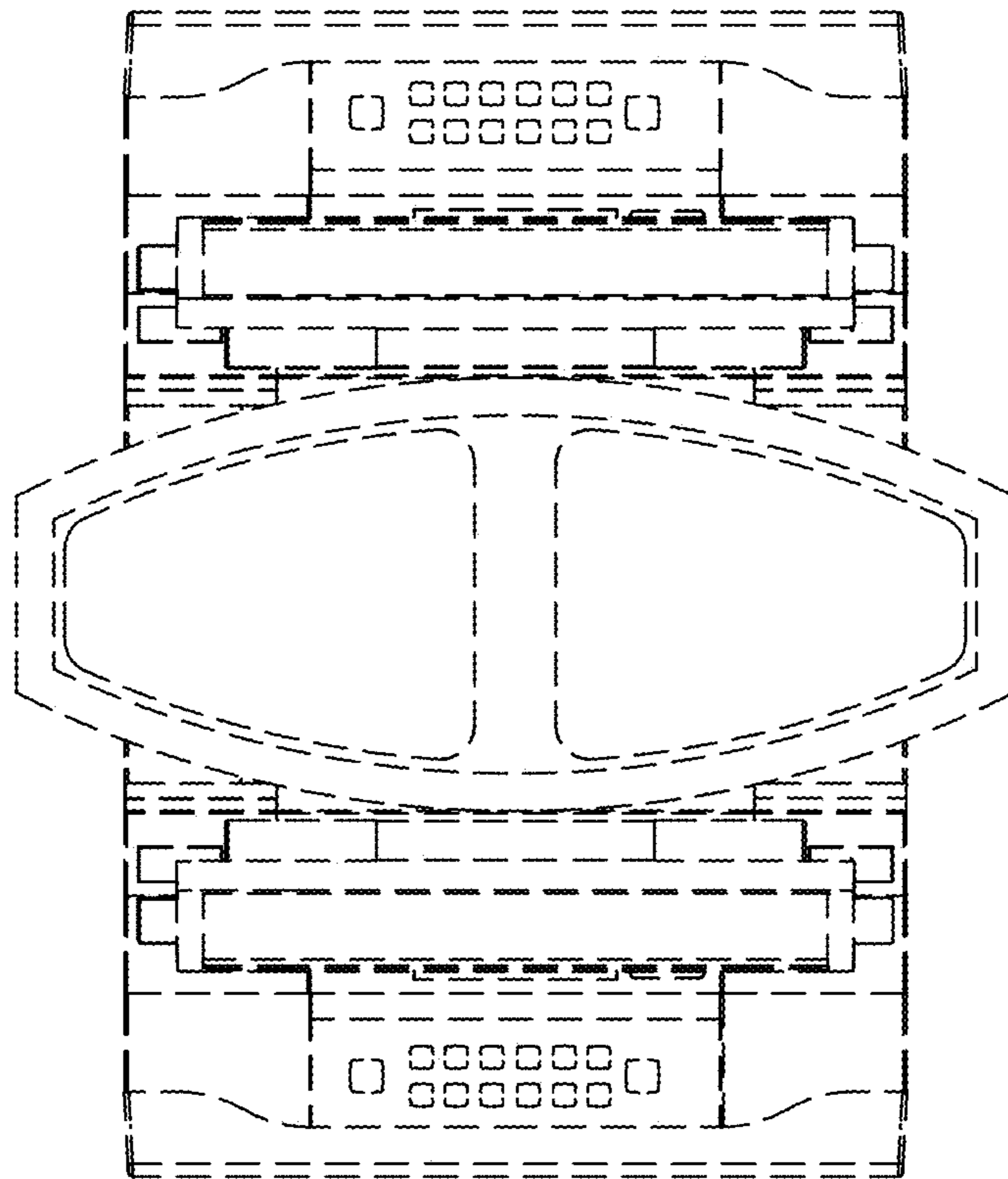


FIG. 6



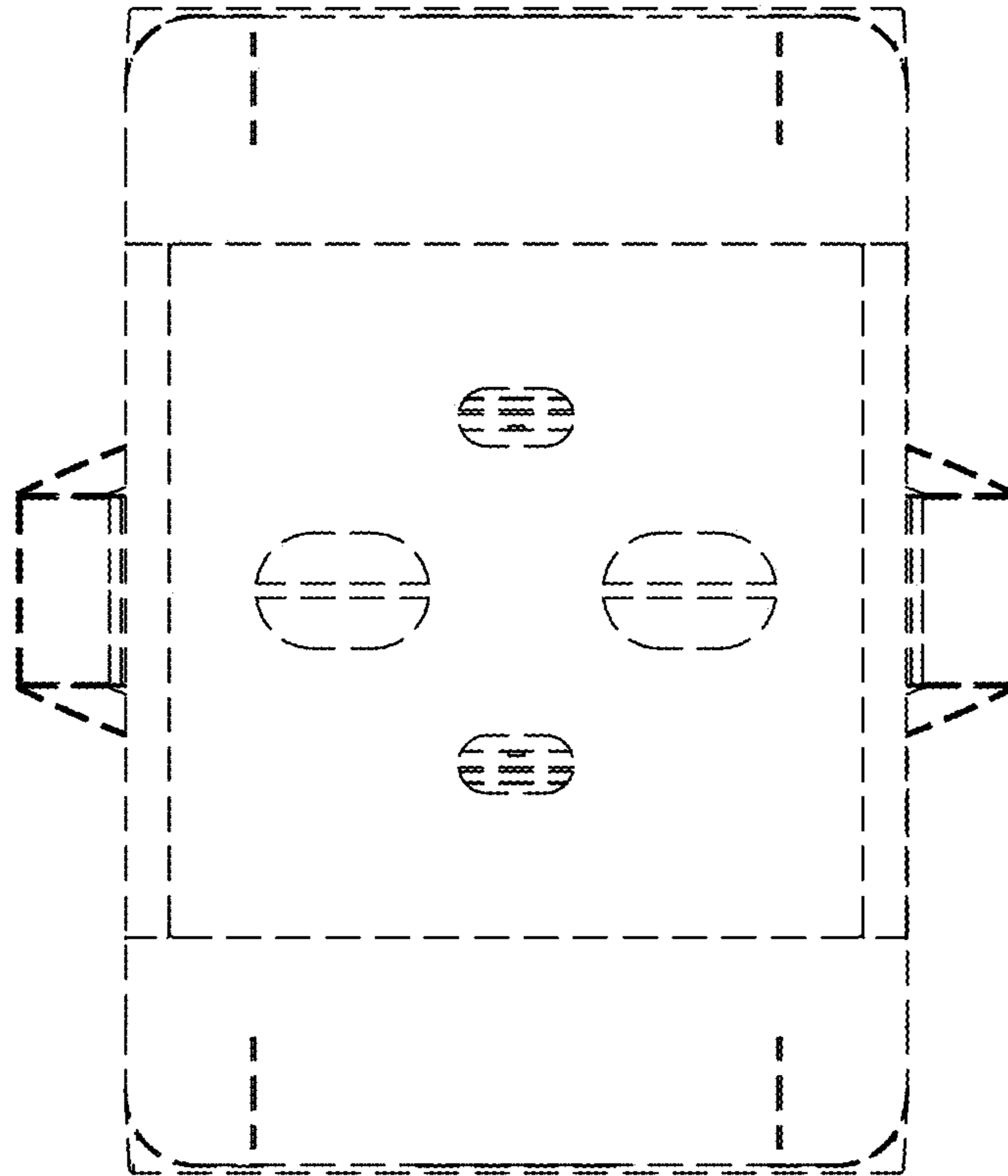


FIG. 7

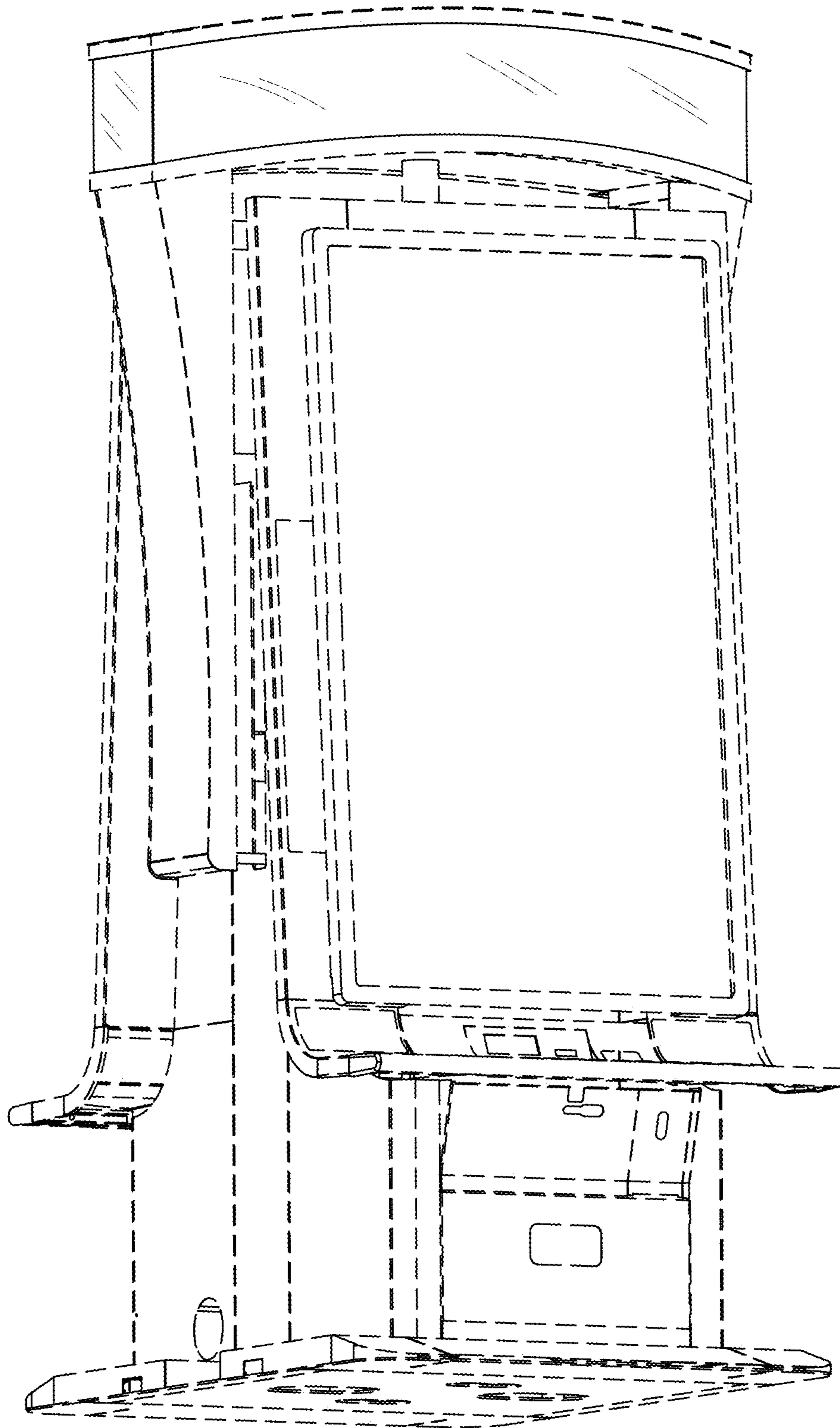


FIG. 8

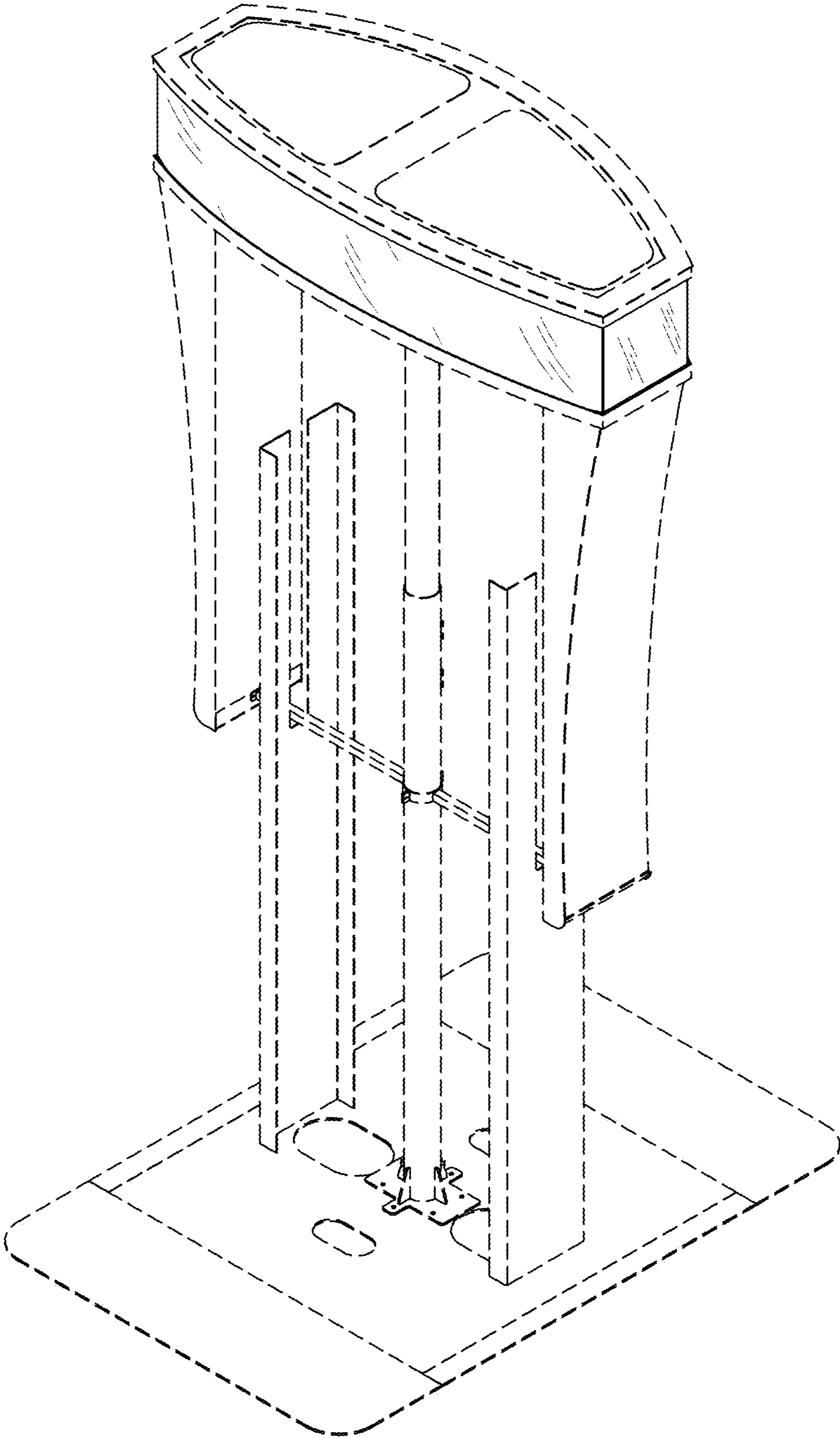


FIG. 9

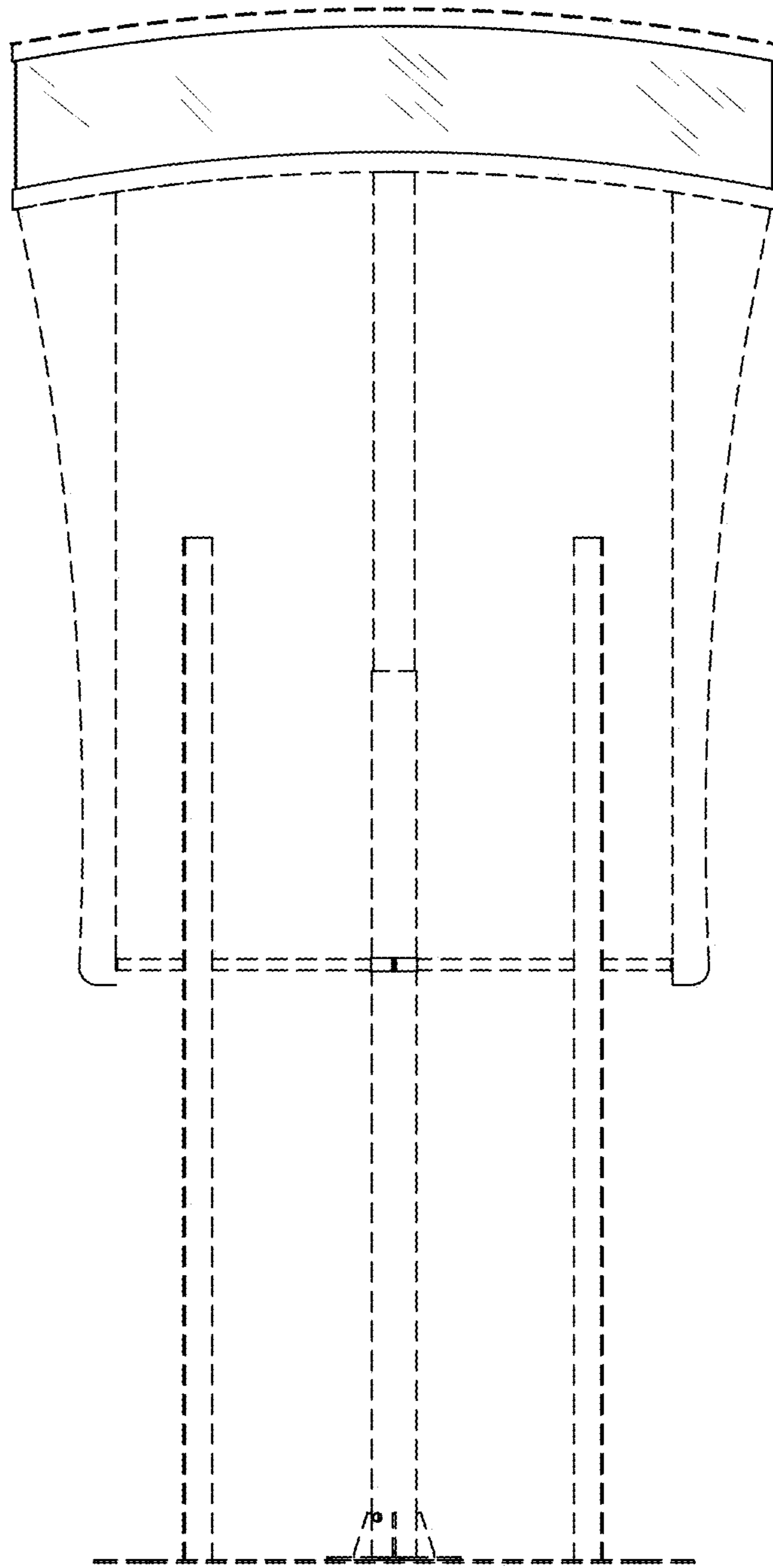


FIG. 10

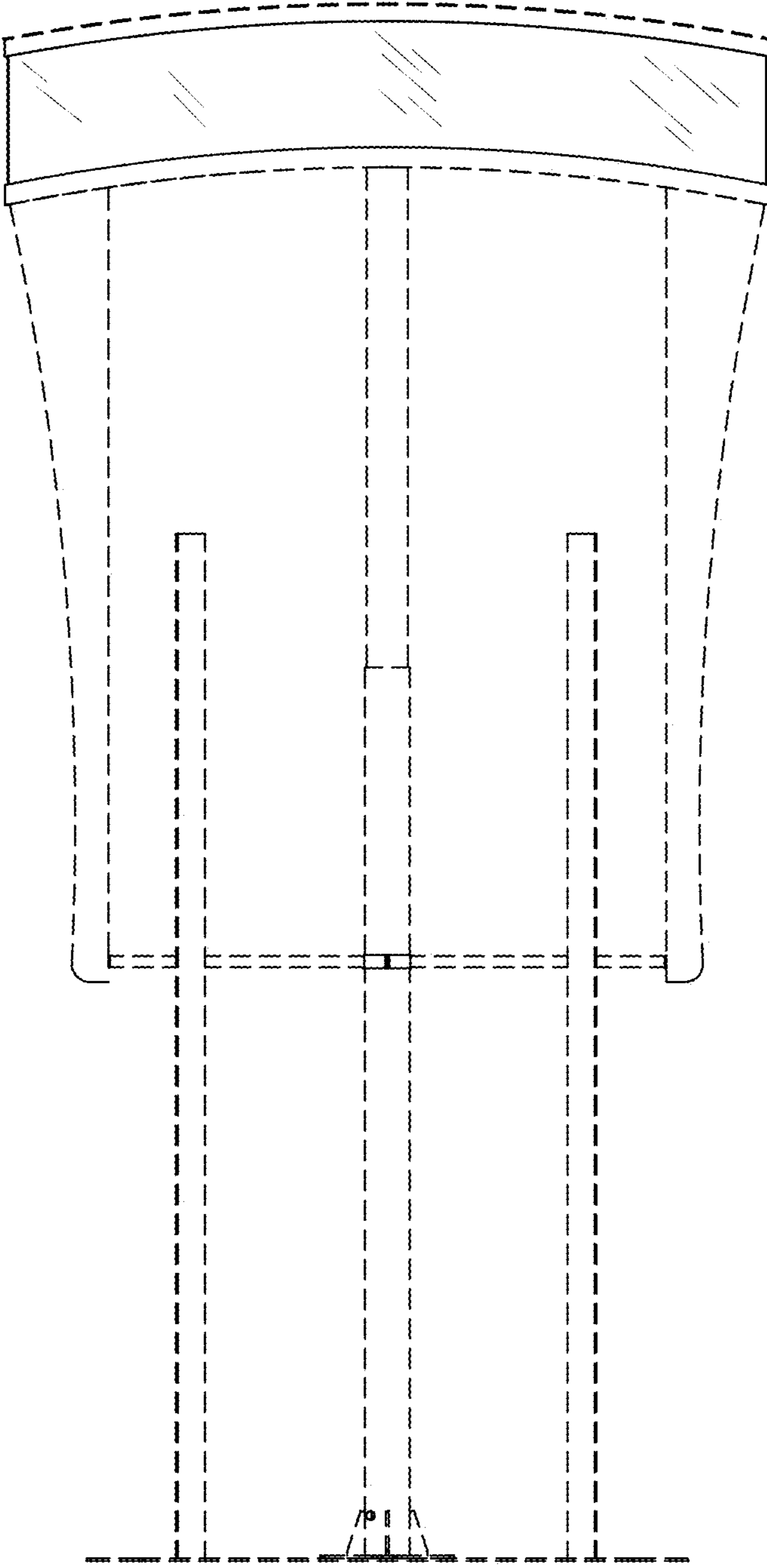


FIG. 11

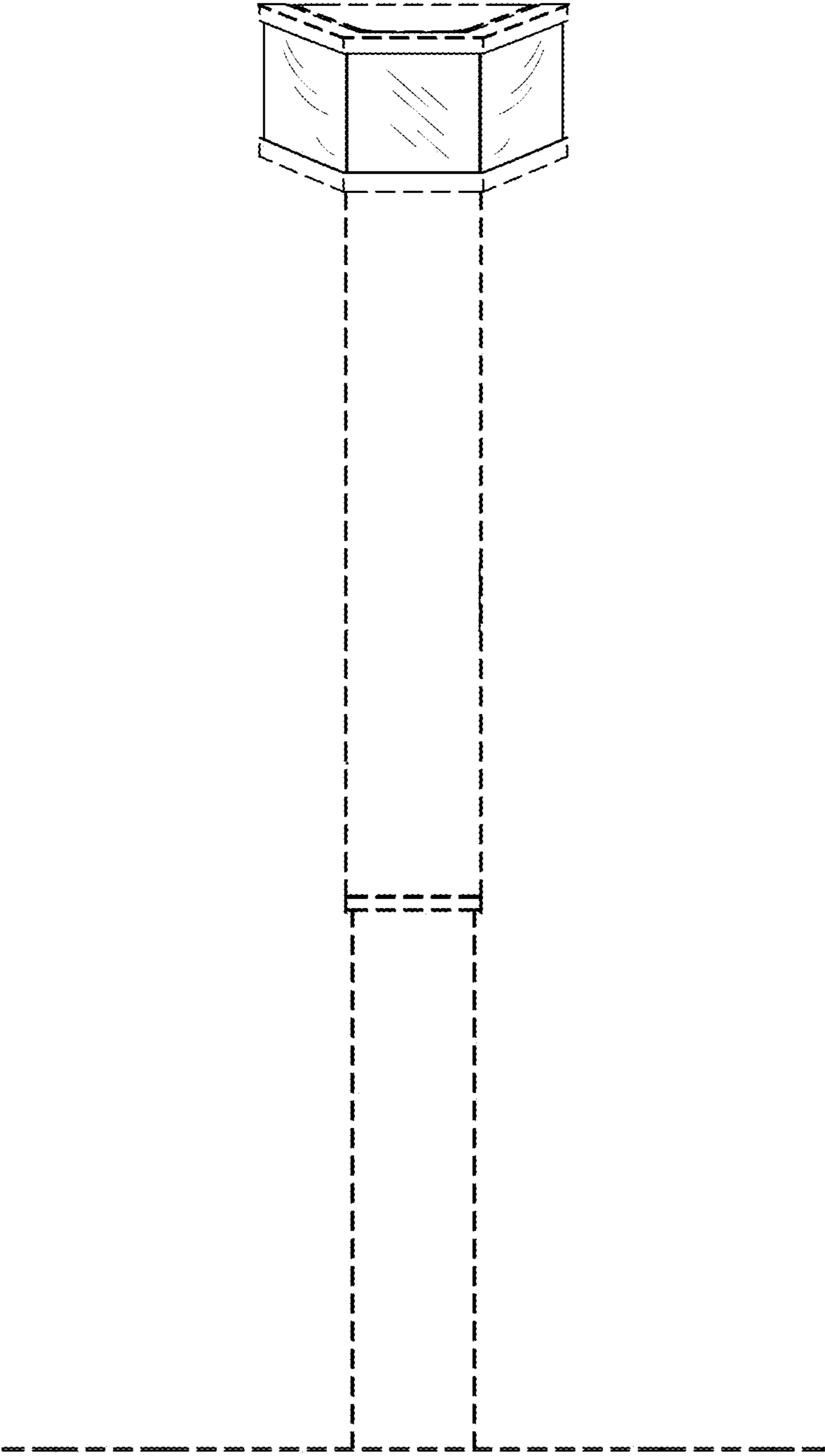


FIG. 12

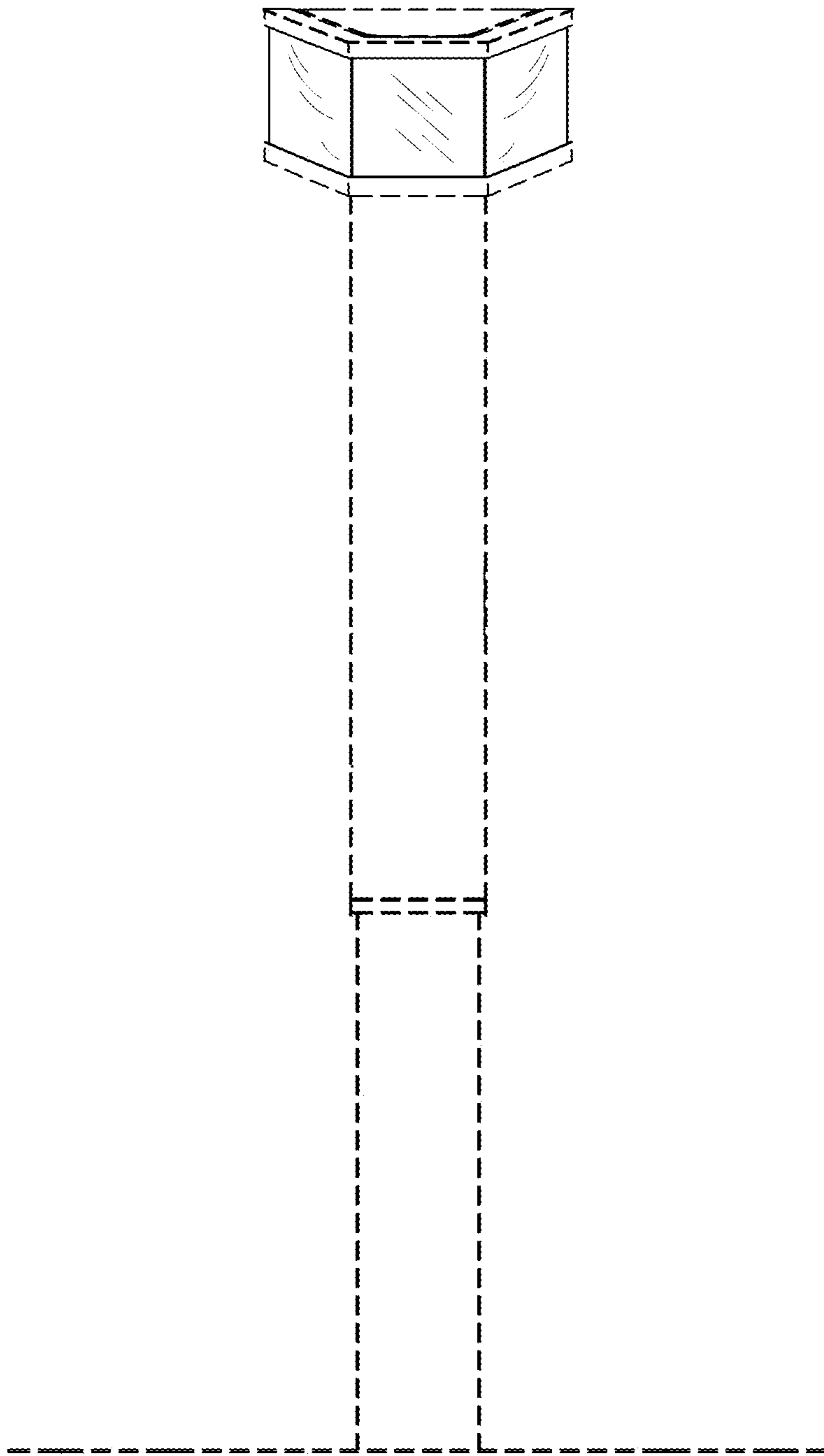


FIG. 13

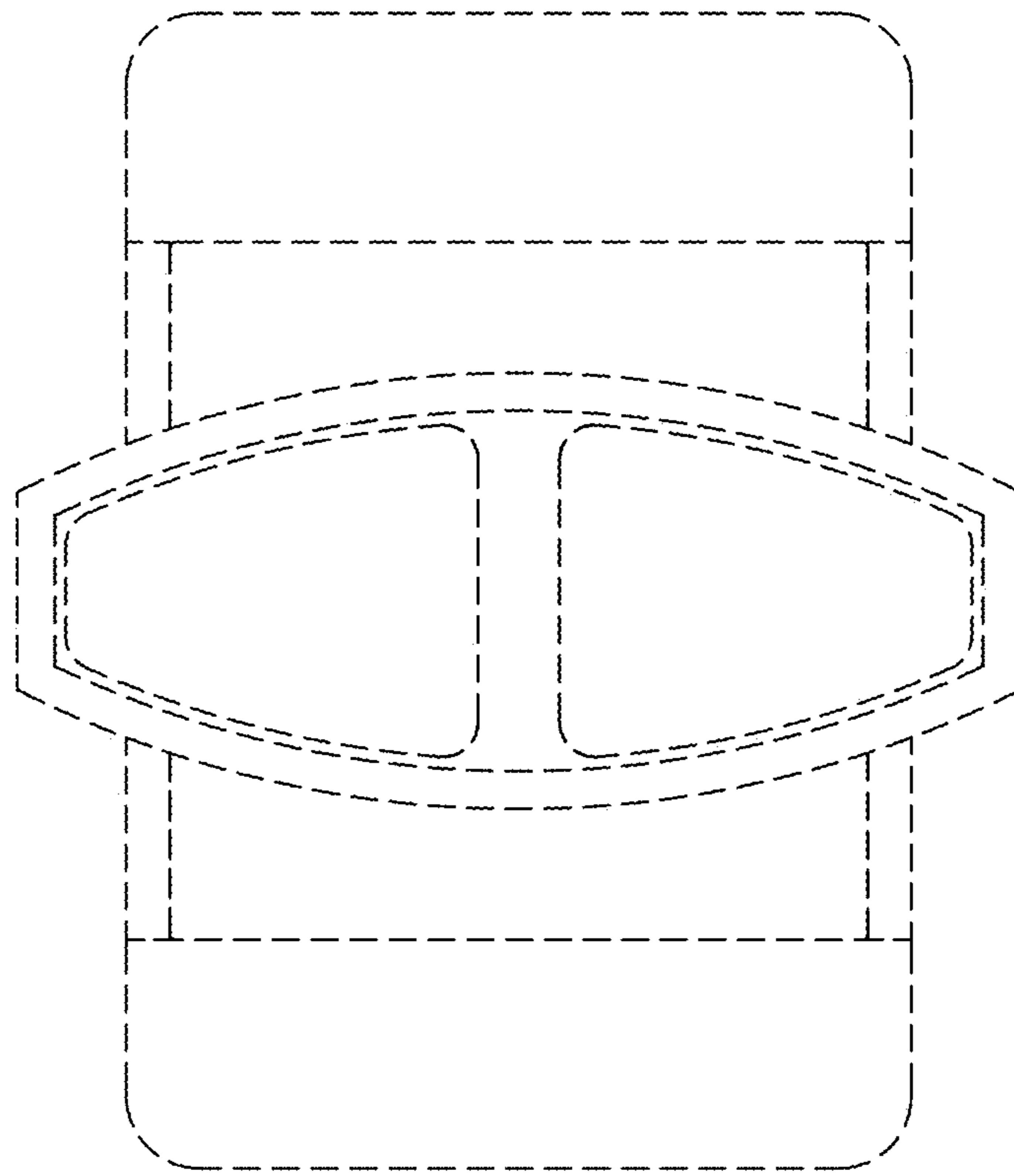


FIG. 14



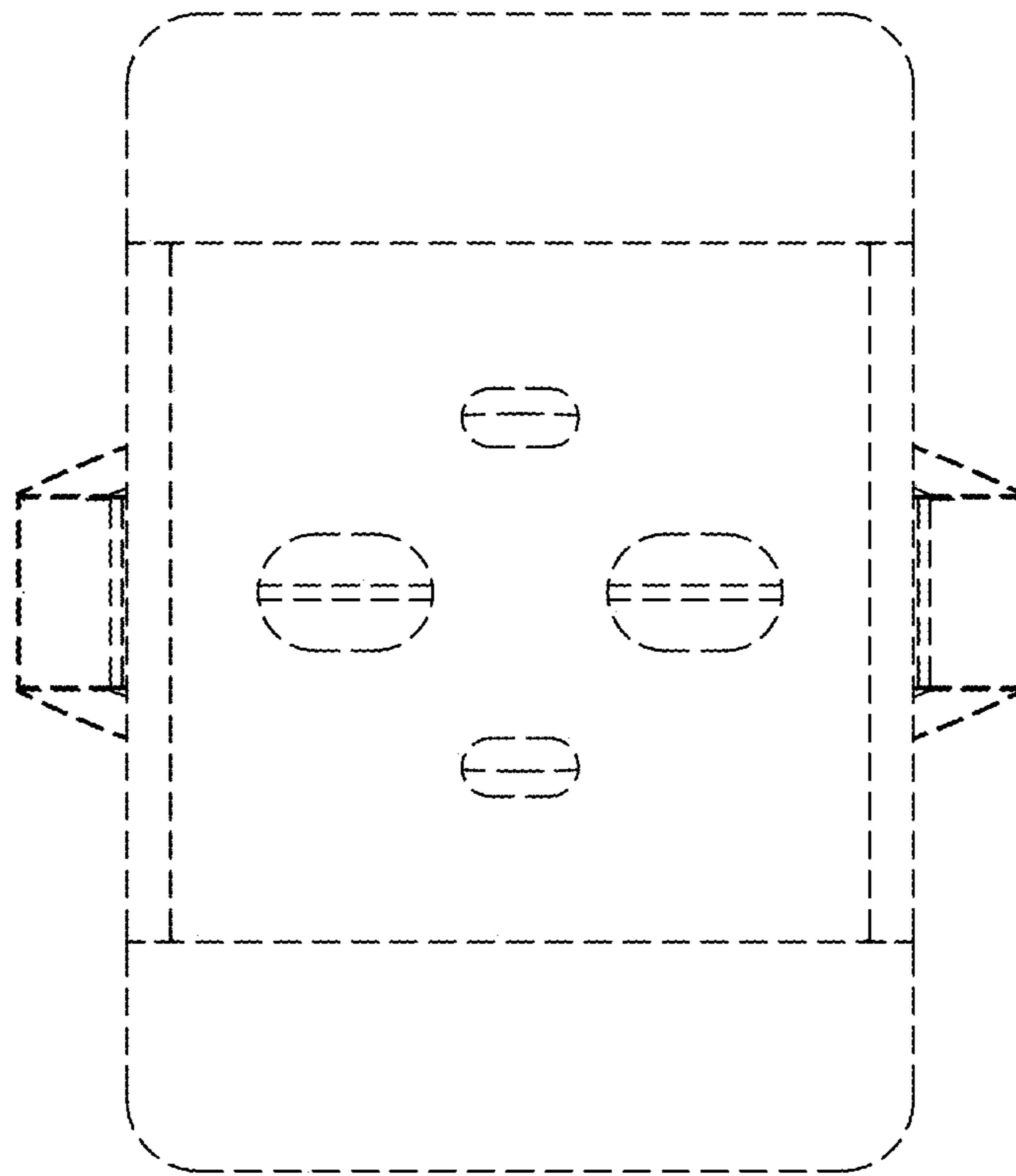


FIG. 15

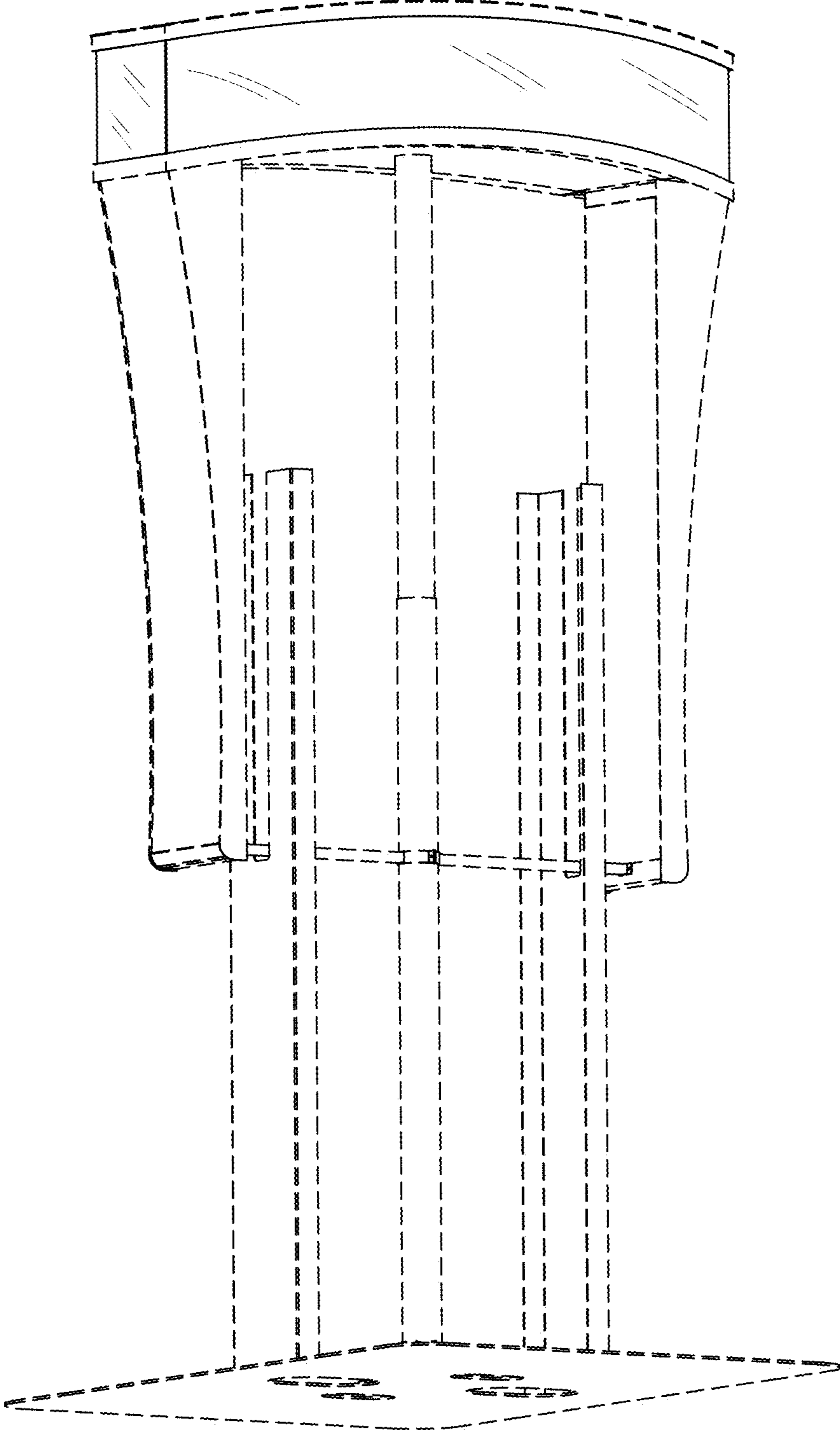


FIG. 16