



US00D899524S

(12) **United States Design Patent** (10) **Patent No.:** **US D899,524 S**  
**Maruyama et al.** (45) **Date of Patent:** **\*\* Oct. 20, 2020**

(54) **CONTROLLER**

(71) Applicant: **Nintendo Co., Ltd.**, Kyoto (JP)  
(72) Inventors: **Kazuhiro Maruyama**, Kyoto (JP);  
**Masaya Takei**, Kyoto (JP); **Shinta Minagawa**, Kyoto (JP)  
(73) Assignee: **Nintendo Co., Ltd.**, Kyoto (JP)  
(\*\*) Term: **15 Years**

D421,033 S \* 2/2000 Shirley ..... D16/227  
D495,386 S \* 8/2004 Bryant ..... D21/713  
D505,464 S \* 5/2005 Shih ..... D21/713  
D521,681 S \* 5/2006 Xu ..... D21/713  
D554,798 S \* 11/2007 Ryan ..... D28/7  
D697,977 S \* 1/2014 Houvener ..... D21/300  
D703,273 S \* 4/2014 Tompkin ..... D21/300  
D703,765 S \* 4/2014 Montes ..... D21/398  
D705,844 S \* 5/2014 Bart ..... D16/203  
D742,955 S \* 11/2015 Kozko ..... D16/207  
D808,828 S \* 1/2018 Behar ..... D10/50  
D819,138 S \* 5/2018 McPhillips ..... D21/300

(Continued)

(21) Appl. No.: **29/670,666**

(22) Filed: **Nov. 19, 2018**

(30) **Foreign Application Priority Data**

May 21, 2018 (JP) ..... 2018-011058

(51) **LOC (12) Cl.** ..... **21-01**

(52) **U.S. Cl.**

USPC ..... **D21/300**

(58) **Field of Classification Search**

USPC ..... D21/300, 324, 333, 386, 394, 465, 713;  
D14/218, 356, 387, 388, 389, 390,  
D14/399-406, 412-416, 426, 429, 443,  
D14/448, 449, 450, 454, 471, 496, 511;  
D16/202, 203, 218, 227; D12/174, 177;  
D13/154, 164, 168; D28/7; D27/148;  
D26/24; D10/50

CPC ..... A63F 13/00; A63F 13/10; A63F 13/02;  
A63F 13/06; A63F 13/04

See application file for complete search history.

(56) **References Cited**

**U.S. PATENT DOCUMENTS**

507,880 A \* 10/1893 Burt ..... A63B 37/0001  
40/327  
D395,715 S \* 6/1998 Queen ..... D26/24  
D405,456 S \* 2/1999 Lefkowitz ..... D16/203  
D419,961 S \* 2/2000 Weatherill ..... D13/154

**OTHER PUBLICATIONS**

“Pokemon Lets Go”, posted May 30, 2018 [online], [retrieved Oct. 2, 2019]. Retrieved from internet, <https://www.youtube.com/watch?v=sXWfdLhTy6o>.\*

(Continued)

*Primary Examiner* — Sandra Snapp  
*Assistant Examiner* — Mehri F Bajoul  
(74) *Attorney, Agent, or Firm* — Nixon & Vanderhye PC

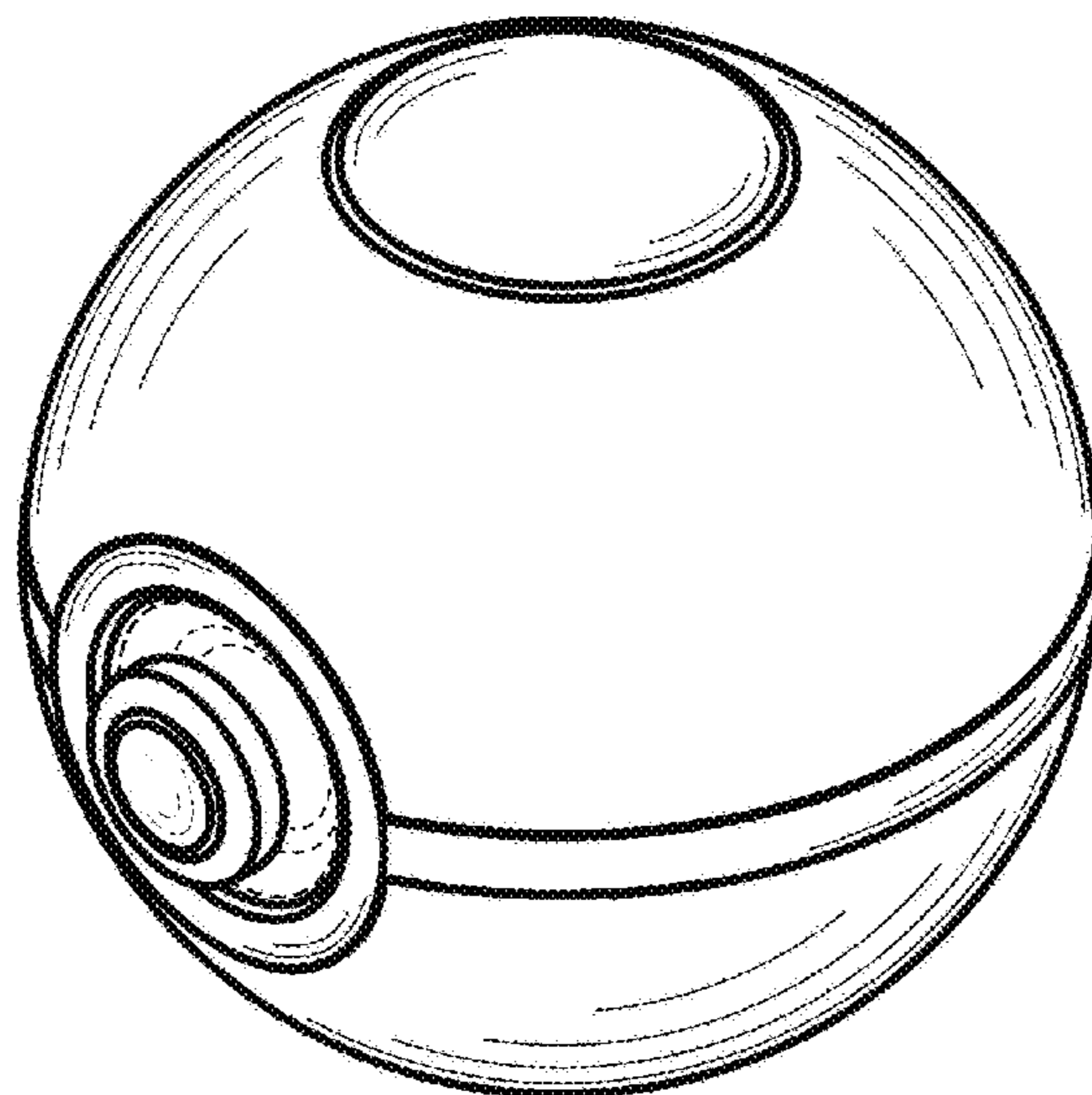
(57) **CLAIM**

The ornamental design for a controller, as shown and described.

**DESCRIPTION**

FIG. 1 is a top front right perspective view of a controller showing our new design;  
FIG. 2 is a back side perspective view thereof;  
FIG. 3 is a front view thereof;  
FIG. 4 is a top view thereof;  
FIG. 5 is a back view thereof;  
FIG. 6 is a bottom view thereof; and,  
FIG. 7 is a right view thereof, a left view thereof being a right-and-left symmetrical image.  
The broken lines in FIG. 1 show portions of the controller that form no part of the claimed design.

**1 Claim, 7 Drawing Sheets**



(56)

**References Cited**

U.S. PATENT DOCUMENTS

D828,518	S *	9/2018	Boal	.....	D23/254
D849,161	S *	5/2019	Zawitz	.....	D21/713
D861,056	S *	9/2019	Joo	.....	D16/202
D863,448	S *	10/2019	Ehara	.....	D21/333
D870,817	S *	12/2019	Yeung	.....	D21/333
D872,185	S *	1/2020	Chatterjee	.....	D21/333
D875,178	S *	2/2020	Ehara	.....	D21/333
D875,180	S *	2/2020	Wang	.....	D21/333
2011/0163957	A1 *	7/2011	Jaouen	.....	G05G 5/05 345/161
2012/0090554	A1 *	4/2012	Nunn	.....	A01K 15/025 119/707
2017/0172229	A1 *	6/2017	DePue	.....	A41D 13/087
2018/0153139	A1 *	6/2018	Nguyen	.....	A01K 15/025
2018/0242554	A1 *	8/2018	Vance	.....	B29C 41/04

OTHER PUBLICATIONS

“Pokennon”, posted Nov. 16, 2018 [online], [retrieved Oct. 2, 2019]. Retrieved from internet, <https://www.youtube.com/watch?v=QhslIgmCEVE>.\*

“Pokemon”, posted Jun. 12, 2018 [online], [retrieved Oct. 2, 2019]. Retrieved from internet, <https://www.youtube.com/watch?v=sXWfdLhTy6o>.\*

“Pokeball” published Nov. 8, 2015[online], [retrieved Feb. 17, 2020] from internet: <https://www.youtube.com/watch?v=of61CxGrmbU>.\*

“Pokemon GO” published Sep. 10, 2015[online], [retrieved Feb. 17, 2020] from internet: <https://www.androidpolice.com/2015/09/10/pokemon-go-from-niantic-labs-lets-you-find-and-fight-pokemon-in-the-real-world-coming-to-android-in-2016/>.\*

\* cited by examiner

Fig.1

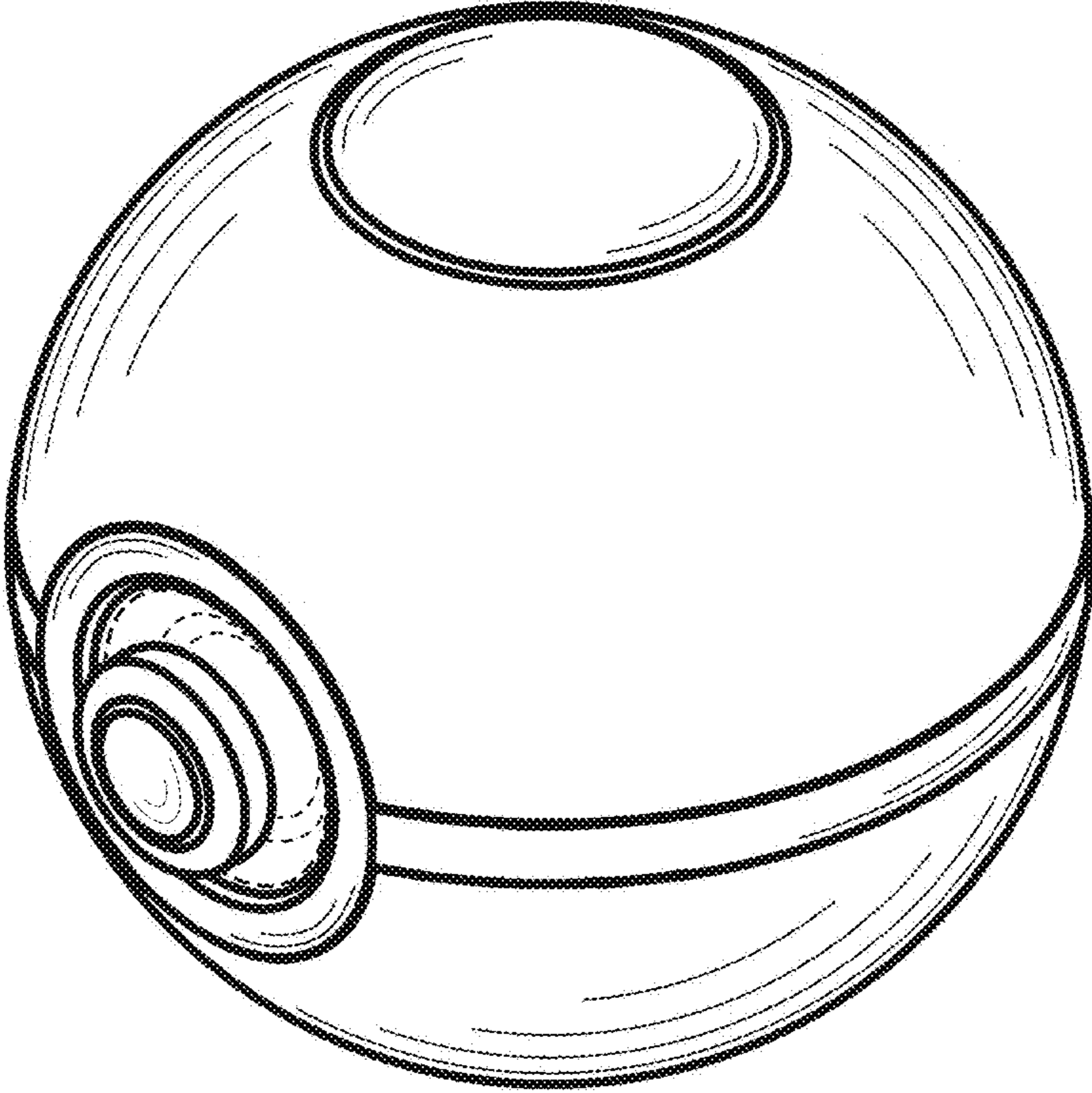


Fig.2

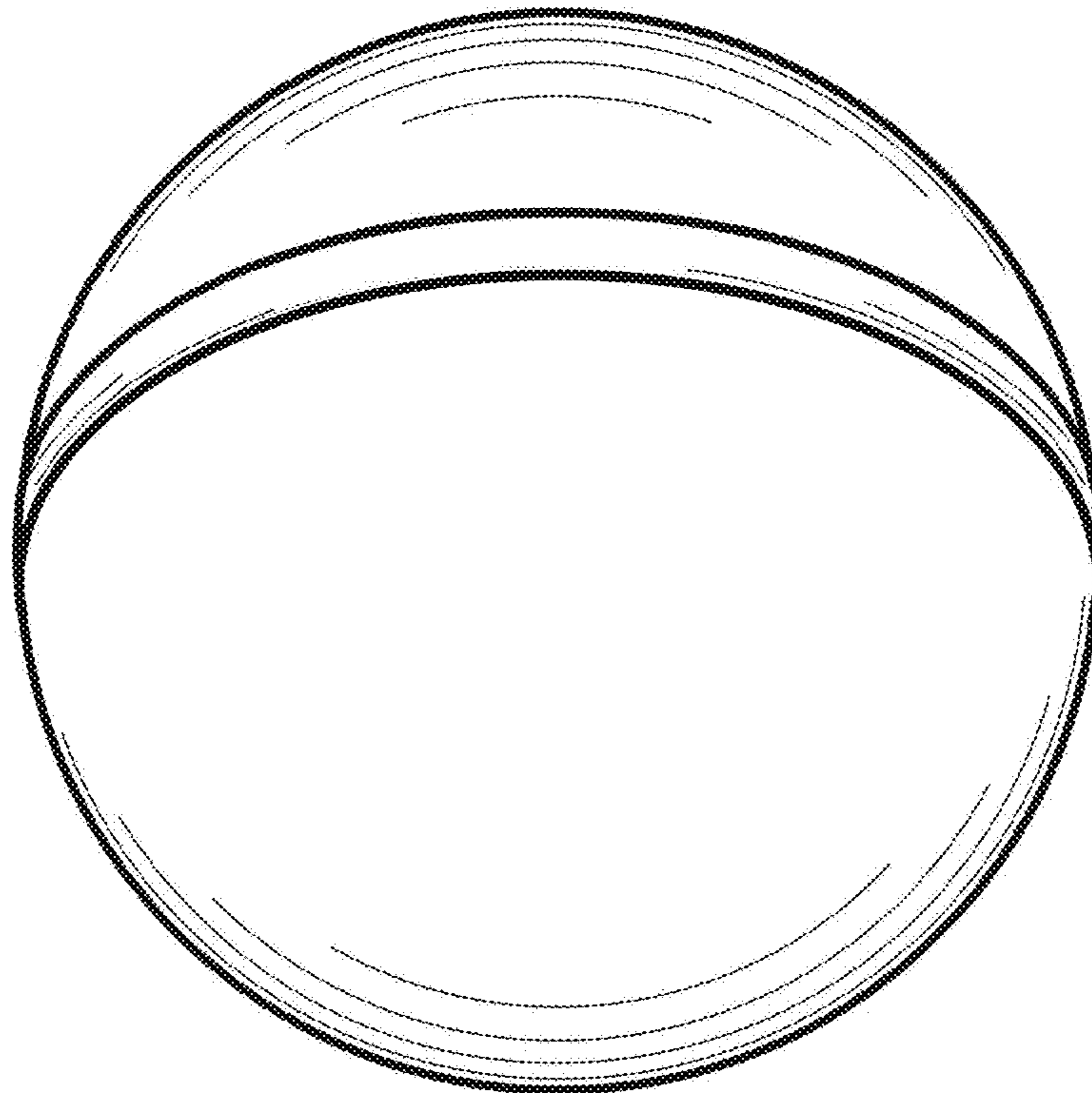


Fig.3

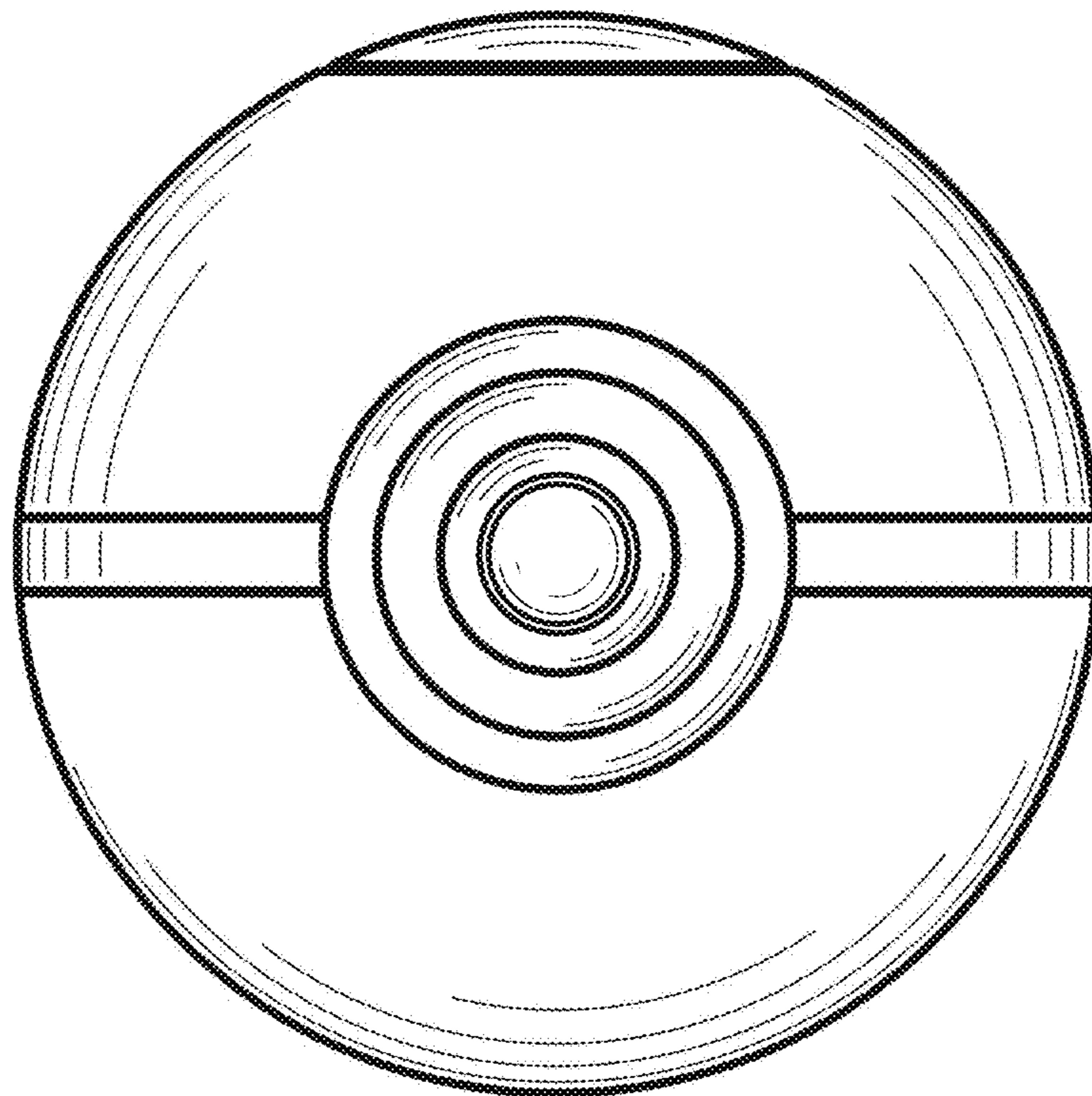


Fig.4

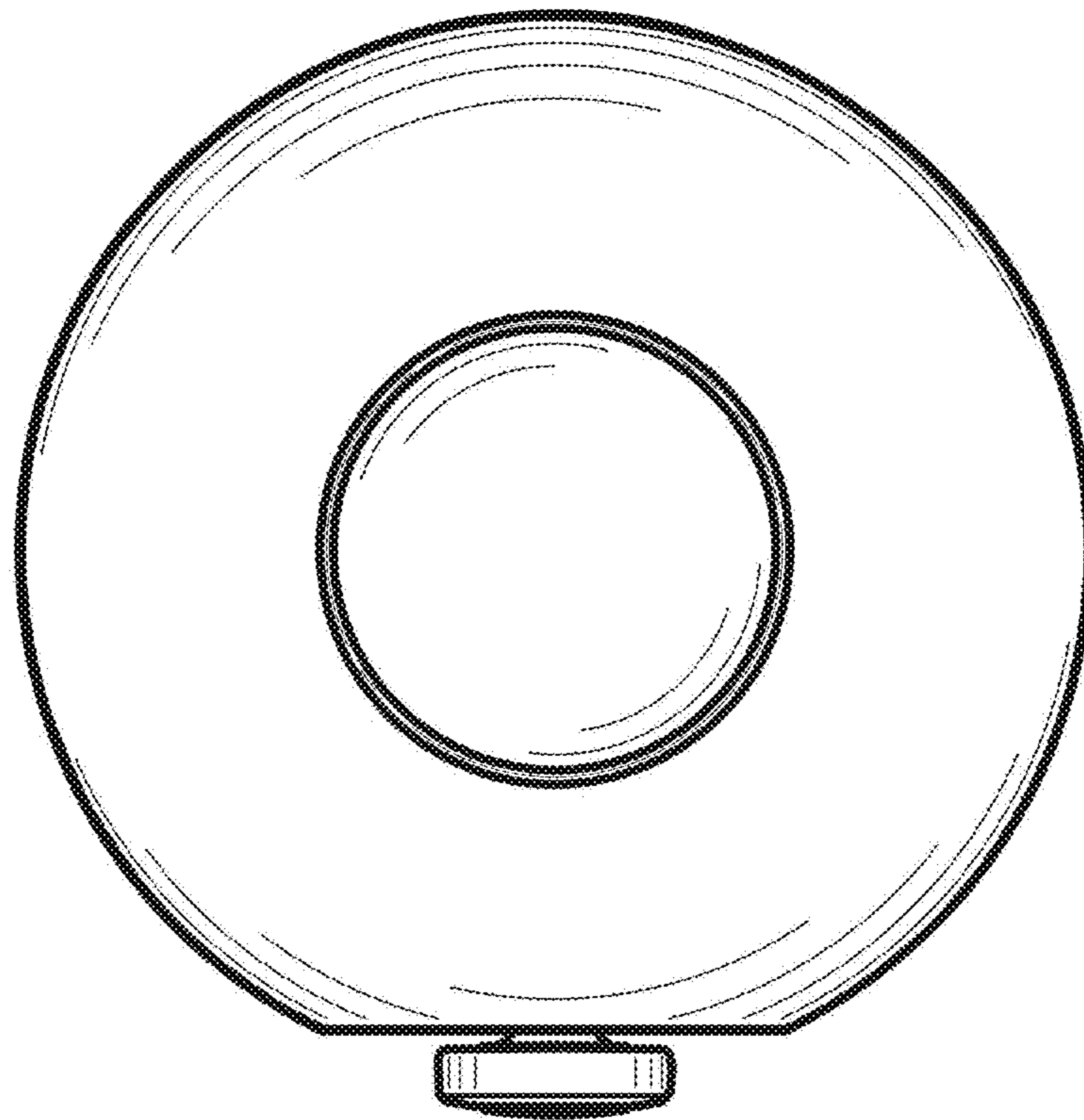


Fig.5

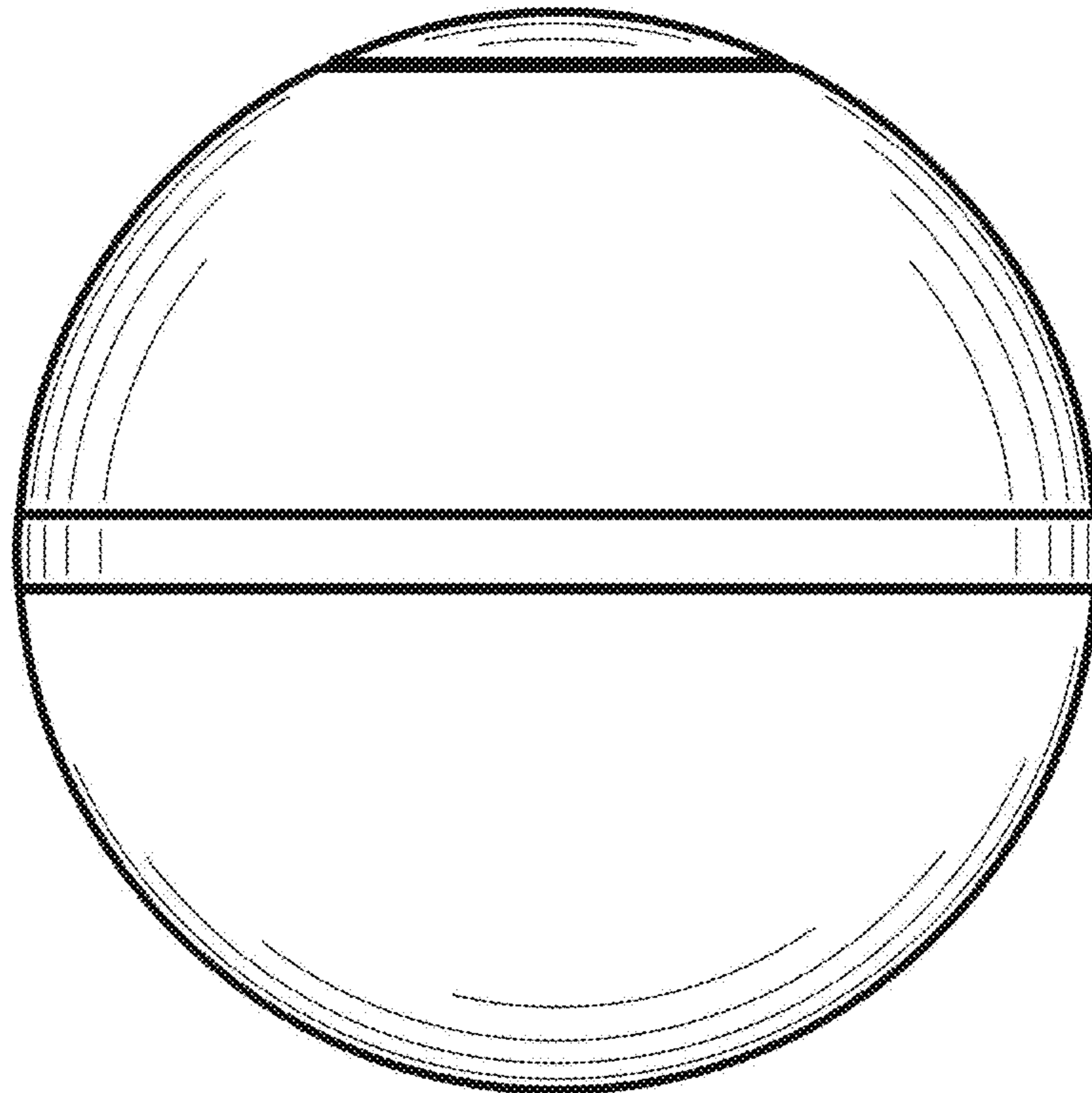


Fig.6

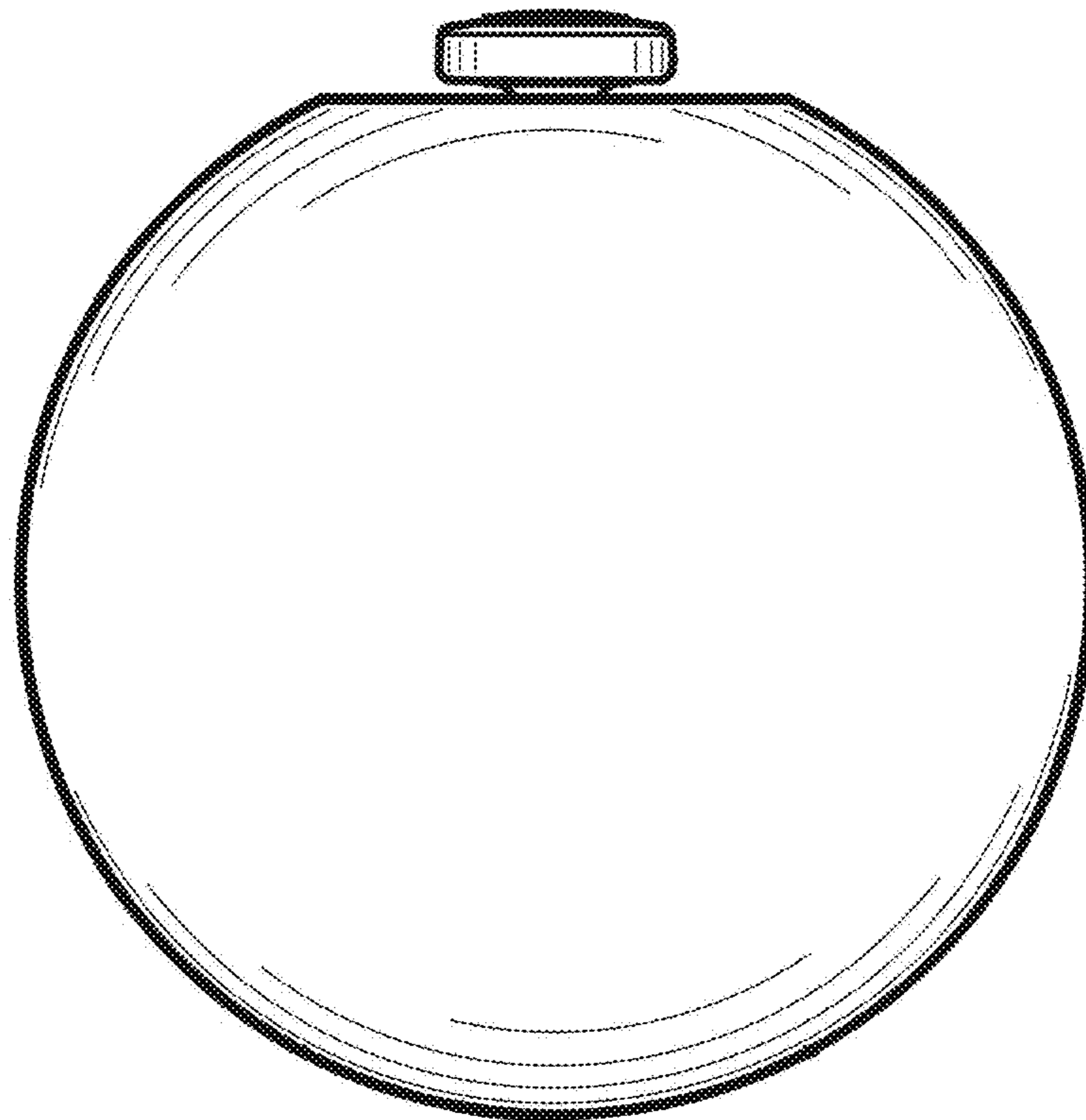




Fig.7

