



US00D899523S

(12) **United States Design Patent**  
**Rollins et al.**

(10) **Patent No.:** **US D899,523 S**  
(45) **Date of Patent:** **\*\* Oct. 20, 2020**

- (54) **EXTRUDED CHANNEL**
- (71) Applicant: **Nashville Wire Products Manufacturing Company, LLC**,  
Nashville, TN (US)
- (72) Inventors: **Phillip Kent Rollins**, Nashville, TN (US); **Jody Taylor**, Hendersonville, TN (US)
- (73) Assignee: **Nashville Wire Products Manufacturing Company, LLC**,  
Nashville, TN (US)
- (\*\*) Term: **15 Years**
- (21) Appl. No.: **29/697,603**
- (22) Filed: **Jul. 10, 2019**
- (51) **LOC (12) Cl.** ..... **20-03**
- (52) **U.S. Cl.**  
USPC ..... **D20/43; D6/705.1**
- (58) **Field of Classification Search**  
USPC ..... **D20/43, 44; D25/119-123, 164, 199; D8/349, 354, 376, 377, 382; D6/702, D6/705, 705.1, 706**  
CPC ... **G09F 3/20; G09F 3/204; G09F 1/10; G09F 1/12**  
See application file for complete search history.

- D512,104 S \* 11/2005 Lowry ..... D20/44
- D516,633 S \* 3/2006 Kosir ..... D20/44
- 7,316,089 B2 \* 1/2008 Brinkman ..... G09F 3/204  
40/343
- 7,325,348 B2 2/2008 Mueller et al.
- 7,836,621 B2 \* 11/2010 Mueller ..... G09F 3/204  
40/661.03
- D645,095 S \* 9/2011 Garfinkle ..... D20/44
- 8,793,913 B1 \* 8/2014 Zobel ..... G09F 3/204  
40/661.03

(Continued)

*Primary Examiner* — Llorelys Martinez

(74) *Attorney, Agent, or Firm* — Lucian Wayne Beavers;  
Alex H. Huffstutter; Patterson Intellectual Property Law,  
PC

(57) **CLAIM**

What is claimed is the ornamental design for an extruded channel, as shown and described.

**DESCRIPTION**

FIG. 1 is a front perspective view of an extruded channel showing our new design.

FIG. 2 is a rear perspective view of the extruded channel of FIG. 1.

FIG. 3 is a right side elevation of the extruded channel of FIG. 1, the left side elevation view being a mirror image thereof.

FIG. 4 is a front elevation view of the extruded channel of FIG. 1.

FIG. 5 is a top plan view of the extruded channel of FIG. 1.

FIG. 6 is a bottom plan view of the extruded channel of FIG. 1; and,

FIG. 7 is a rear elevation view of the extruded channel of FIG. 1.

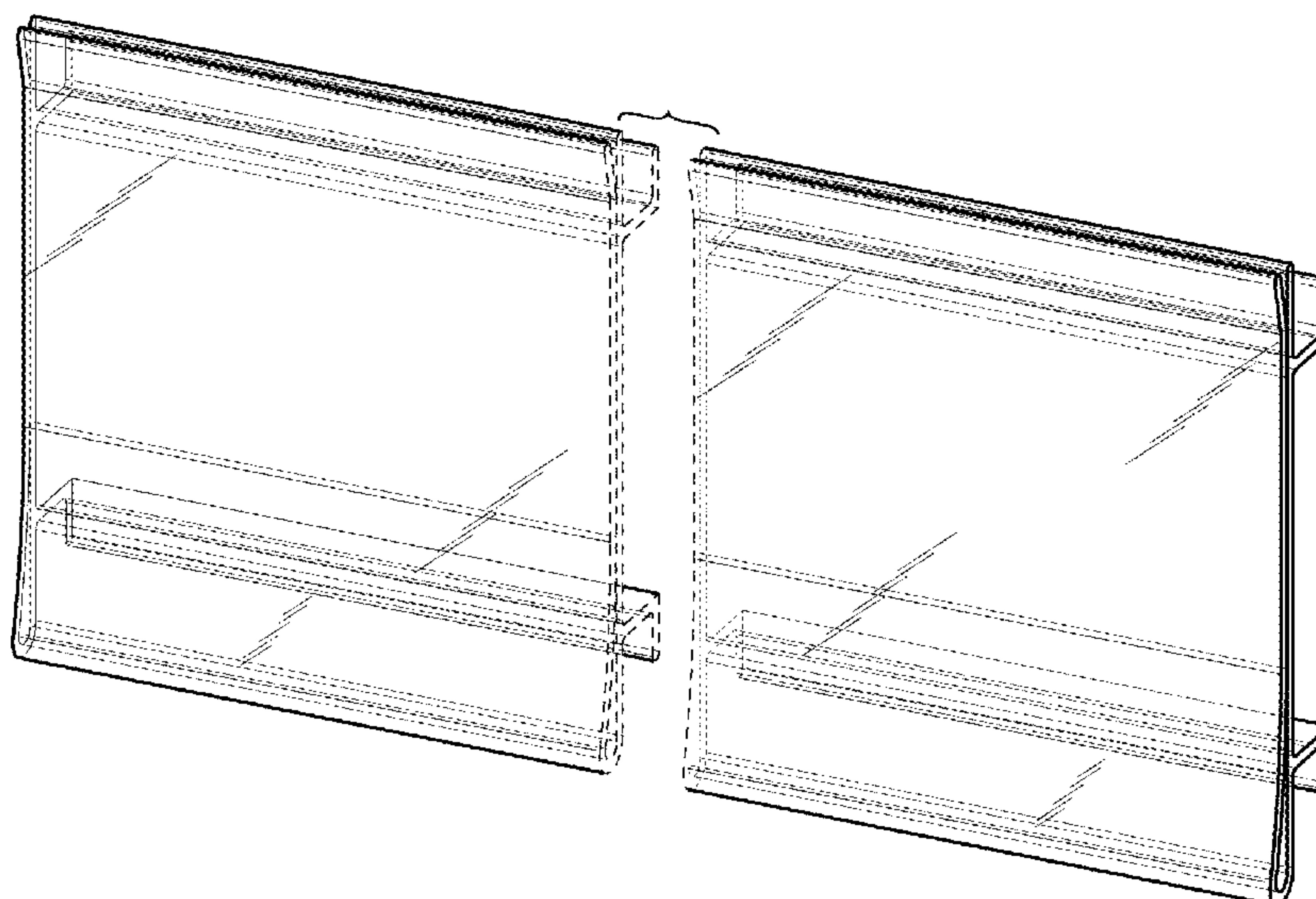
The extruded channel is shown with a symbolic break in its length. The appearance of any portion of the extruded channel between the break lines forms no part of the claimed design.

**1 Claim, 4 Drawing Sheets**

(56) **References Cited**

**U.S. PATENT DOCUMENTS**

- D402,048 S \* 12/1998 Goodchild ..... D25/119
- 5,899,011 A 5/1999 Brinkman
- D425,566 S 5/2000 Mueller et al.
- 6,226,910 B1 5/2001 Ireland
- 6,266,906 B1 7/2001 Nagel
- 6,568,112 B2 \* 5/2003 Lowry ..... G09F 3/20  
40/649
- 6,665,971 B2 \* 12/2003 Lowry ..... G09F 3/20  
40/642.02
- D504,160 S \* 4/2005 Abramson ..... D20/44



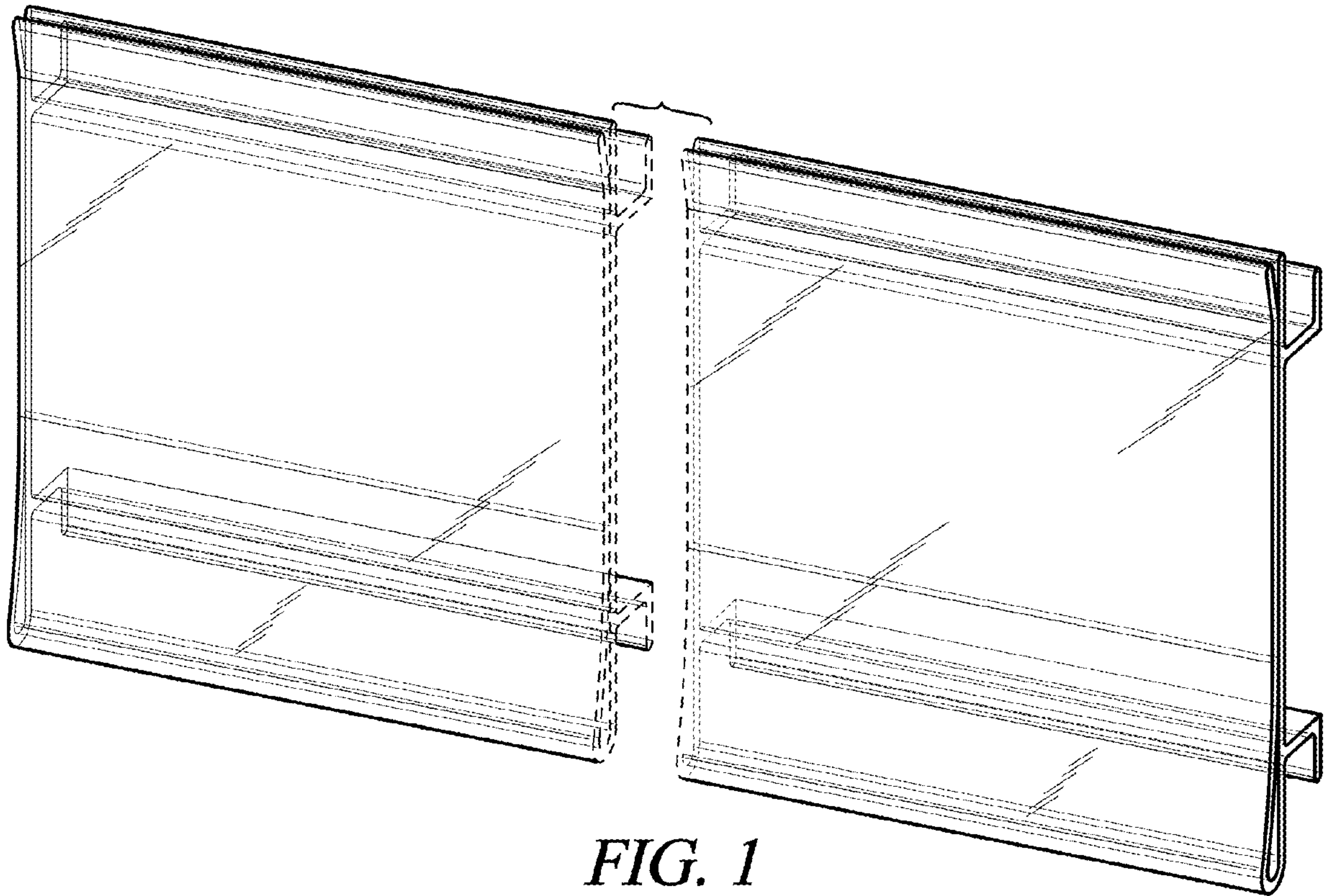
(56)

**References Cited**

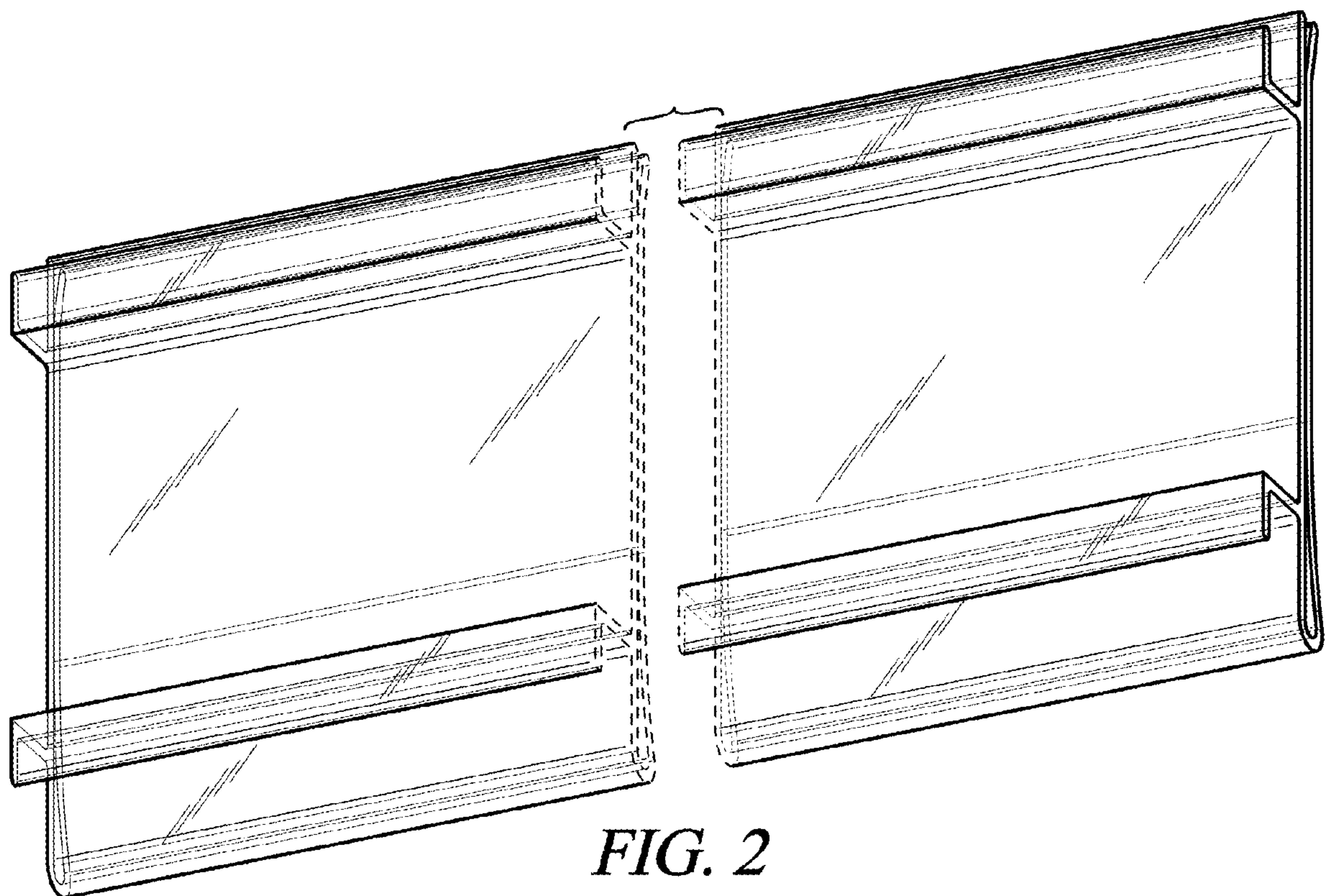
U.S. PATENT DOCUMENTS

D748,730 S \* 2/2016 Kopco ..... D20/43  
9,697,753 B2 7/2017 Johnson et al.  
2002/0129528 A1\* 9/2002 Nagel ..... G09F 3/20  
40/661  
2007/0245611 A1\* 10/2007 McDonald ..... G09F 3/204  
40/661.03  
2008/0016740 A1 1/2008 Mitten et al.  
2009/0320344 A1 12/2009 Barkdoll et al.

\* cited by examiner

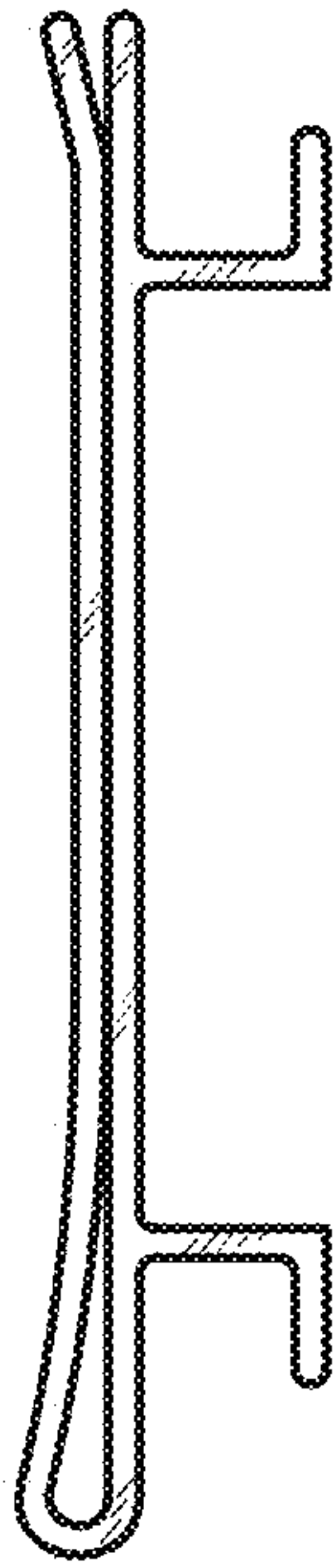


*FIG. 1*

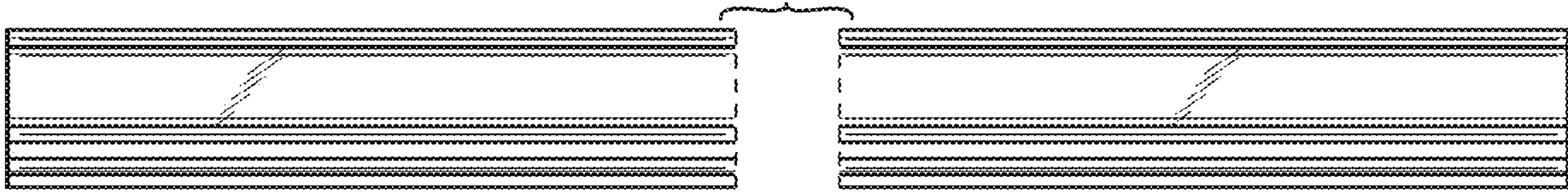


*FIG. 2*

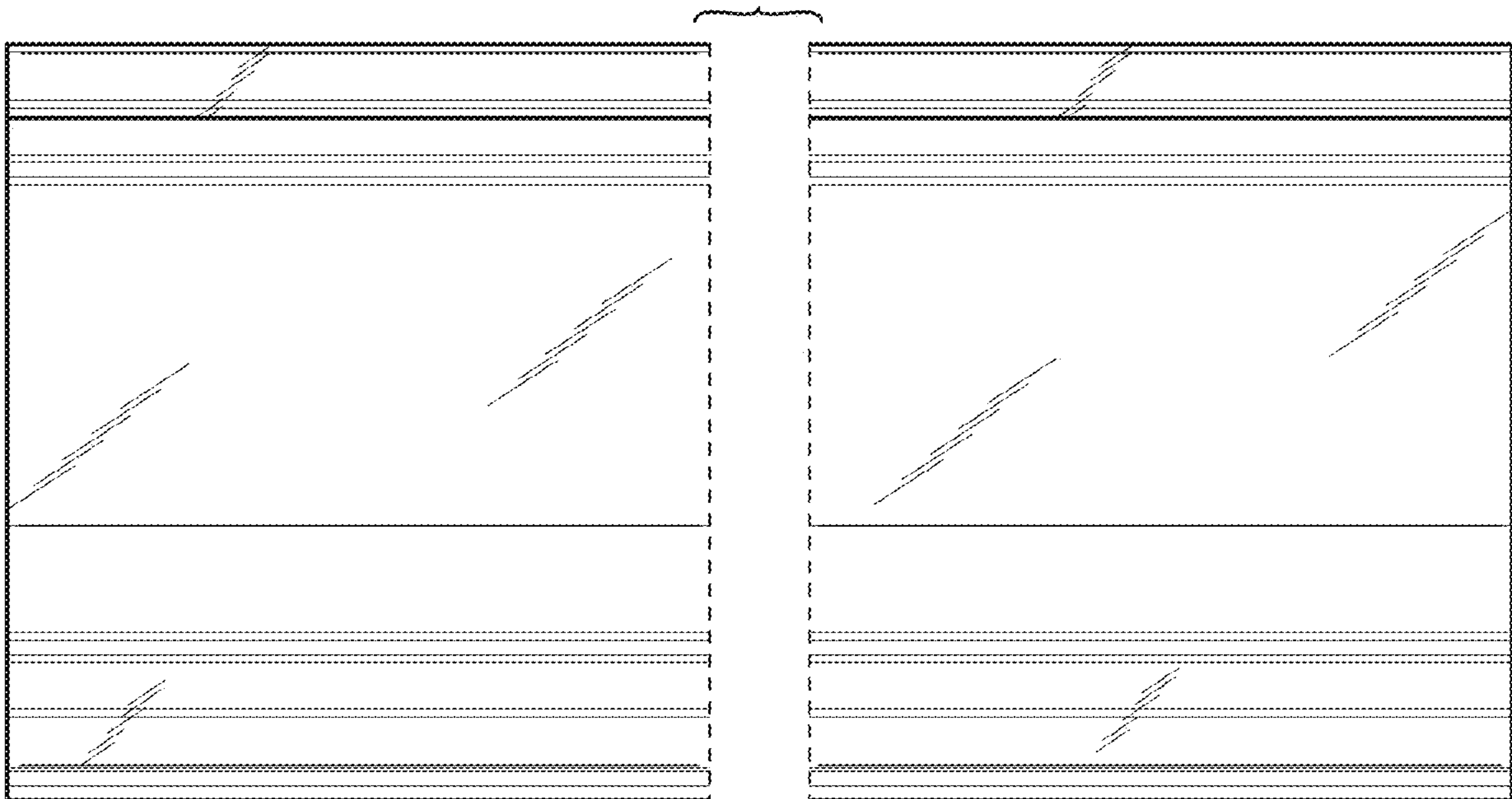




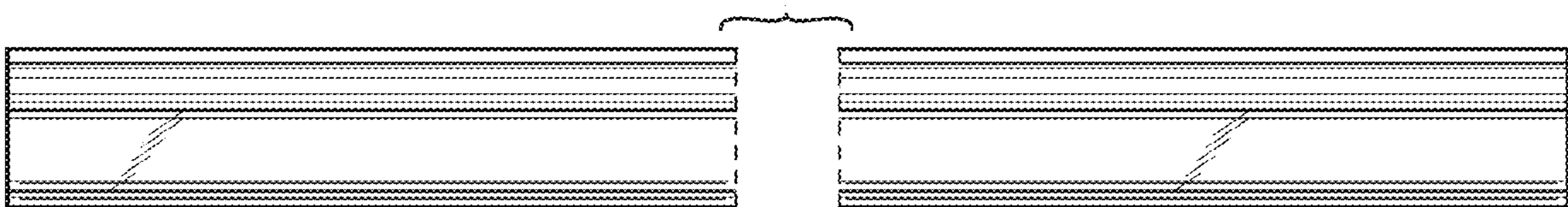
*FIG. 3*



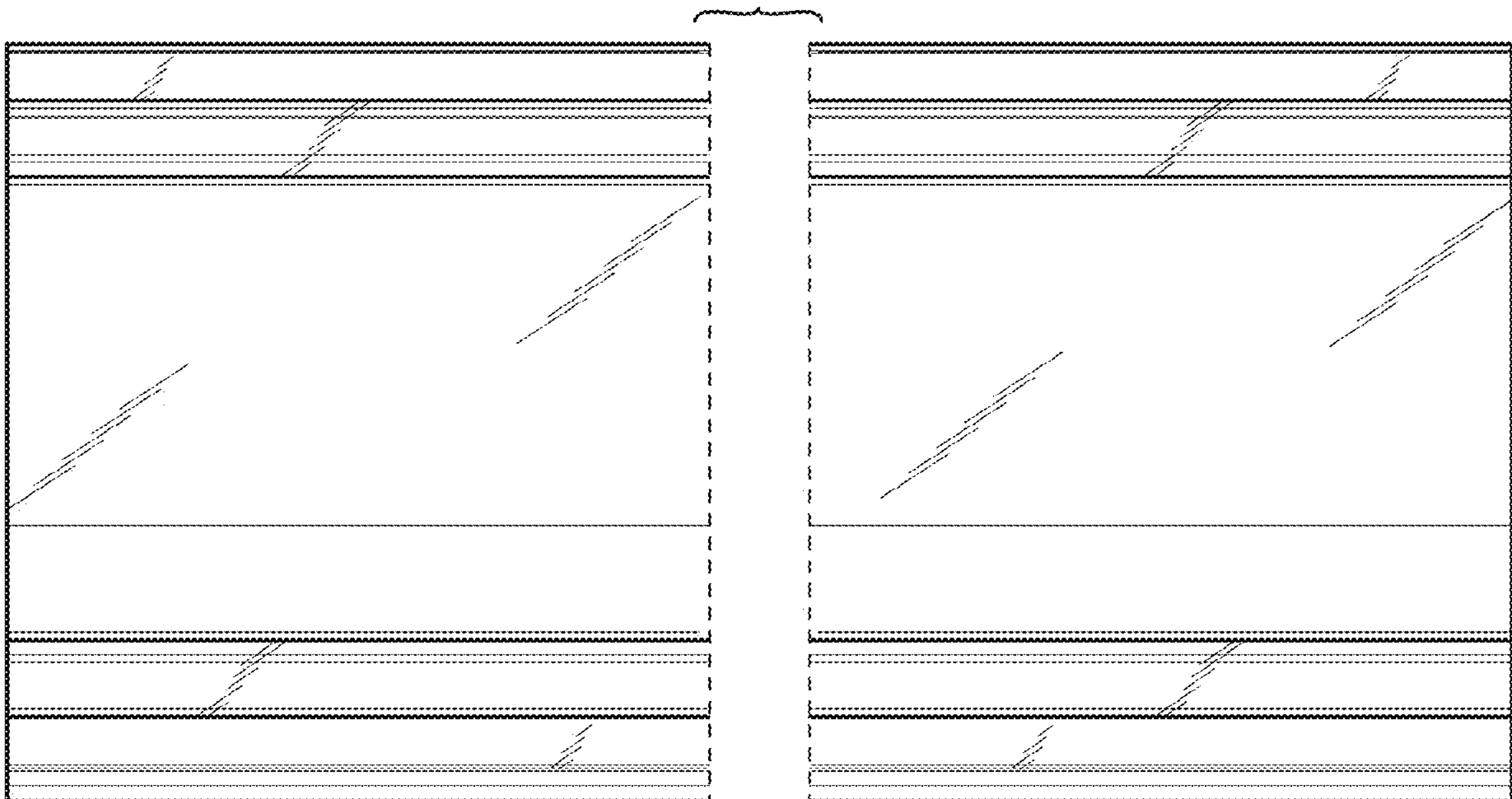
*FIG. 5*



*FIG. 4*



*FIG. 6*



*FIG. 7*