



US00D899522S

(12) **United States Design Patent** (10) **Patent No.:** **US D899,522 S**
Guo et al. (45) **Date of Patent:** **** Oct. 20, 2020**

(54) **SIGNAGE IN A BUILDING ENVIRONMENT**

D827,029 S * 8/2018 Lim D20/10
D852,273 S * 6/2019 Lim D20/39
D852,274 S * 6/2019 Lim D20/39
2018/0322815 A1* 11/2018 White G09F 7/18

(71) Applicant: **Otis Elevator Company**, Farmington, CT (US)

FOREIGN PATENT DOCUMENTS

(72) Inventors: **Xiaofei Guo**, Shanghai (CN); **Robert Costabile**, Hamden, CT (US); **Danny Seheon Lee**, Gunpo (KR)

CN 303182137 * 4/2015
EM 005840162-0001 * 2/2019
EM 005840162-0006 * 2/2019

(73) Assignee: **OTIS ELEVATOR COMPANY**, Farmington, CT (US)

OTHER PUBLICATIONS

(**) Term: **15 Years**

Otis Fact-Sheet Signage-Dynamic https://files.otis.com/otis/en/us/contentimages/Fact-Sheet%20Signage-Dynamic_2014-02-17.pdf Feb. 17, 2014 (Year: 2014).*

(21) Appl. No.: **29/656,067**

* cited by examiner

(22) Filed: **Jul. 10, 2018**

(30) **Foreign Application Priority Data**

Primary Examiner — Leanne Was-Englehart
(74) *Attorney, Agent, or Firm* — Cantor Colburn LLP

Jun. 1, 2018 (CN) 2018 3 0270271

(51) **LOC (12) Cl.** **20-03**

(57) **CLAIM**

(52) **U.S. Cl.**
USPC **D20/42**

We claim, the ornamental design for signage in a building environment, as shown and described.

(58) **Field of Classification Search**
USPC D20/10, 13-15, 18, 19, 29, 39-43, 99
CPC G09F 7/00; G09F 7/16; G09F 7/18; G09F 13/00; B66B 3/00; B66B 3/002; B66B 3/006; B66B 3/023
See application file for complete search history.

DESCRIPTION

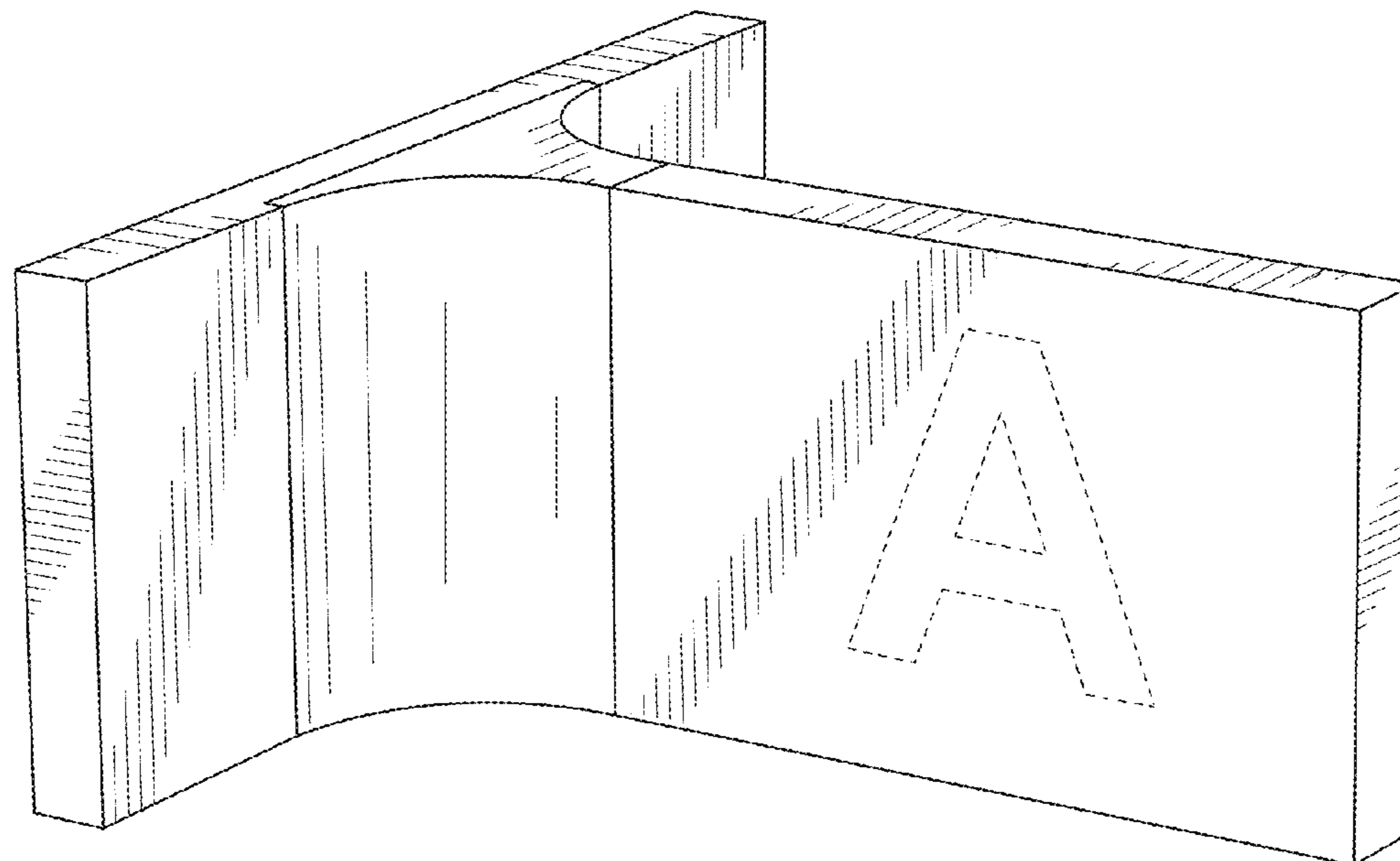
(56) **References Cited**

U.S. PATENT DOCUMENTS

6,550,731 B1 * 4/2003 Kim G09F 15/0037
248/223.41
D647,143 S * 10/2011 Yi D20/42
D690,365 S * 9/2013 Gorelick D20/10
D691,208 S * 10/2013 Gorelick D20/10
D712,968 S * 9/2014 Gorelick D20/10

FIG. 1 is a perspective view of signage in a building environment, showing our new design;
FIG. 2 is a side view thereof;
FIG. 3 is another side view thereof;
FIG. 4 is a front view thereof;
FIG. 5 is a rear view thereof;
FIG. 6 is a top view thereof;
FIG. 7 is a bottom view thereof;
FIG. 8 is an exploded perspective view thereof; and,
FIG. 9 is another exploded perspective view thereof.
The broken lines depict portions of the signage that form no part of the claimed design.

1 Claim, 6 Drawing Sheets



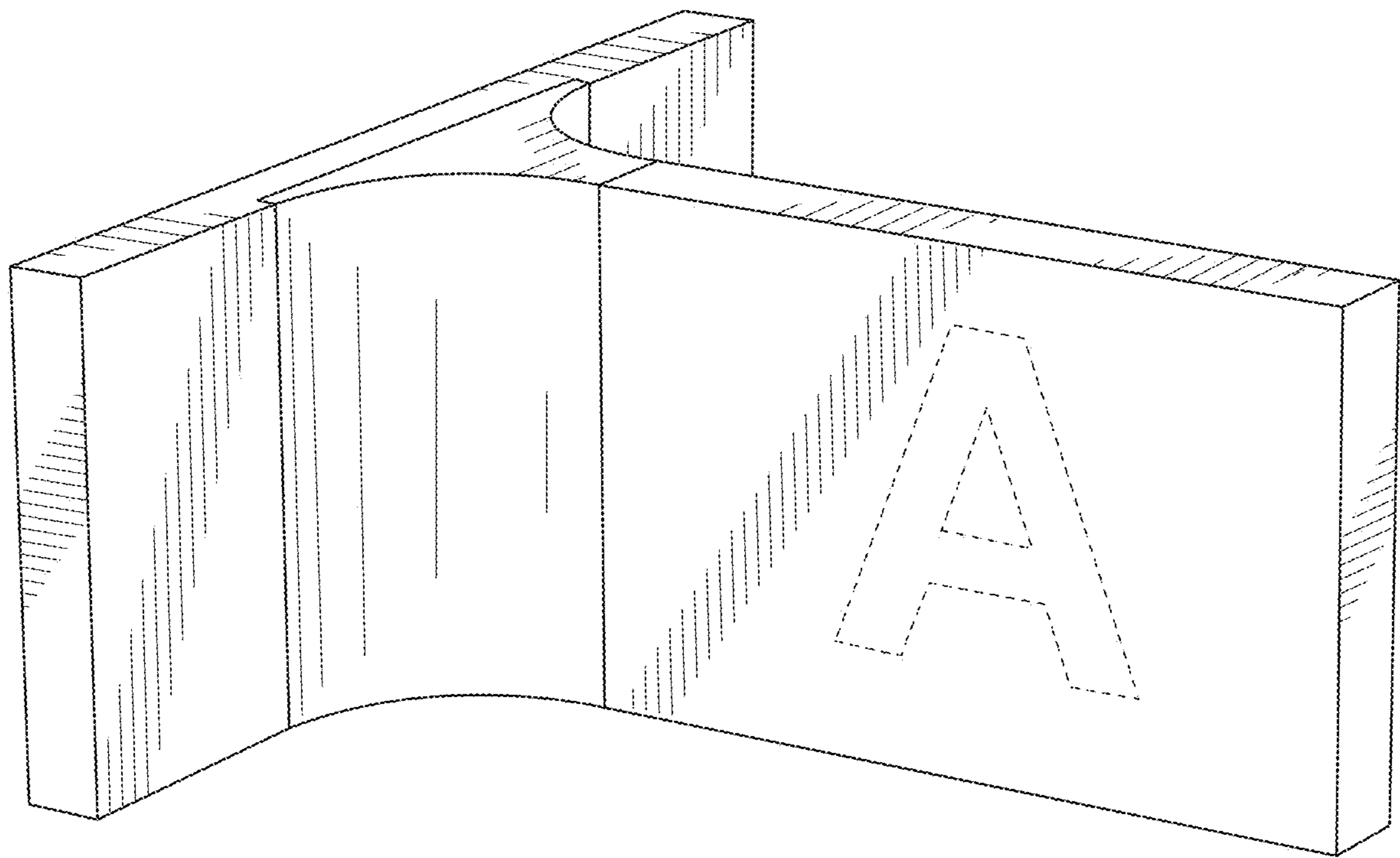


FIG. 1

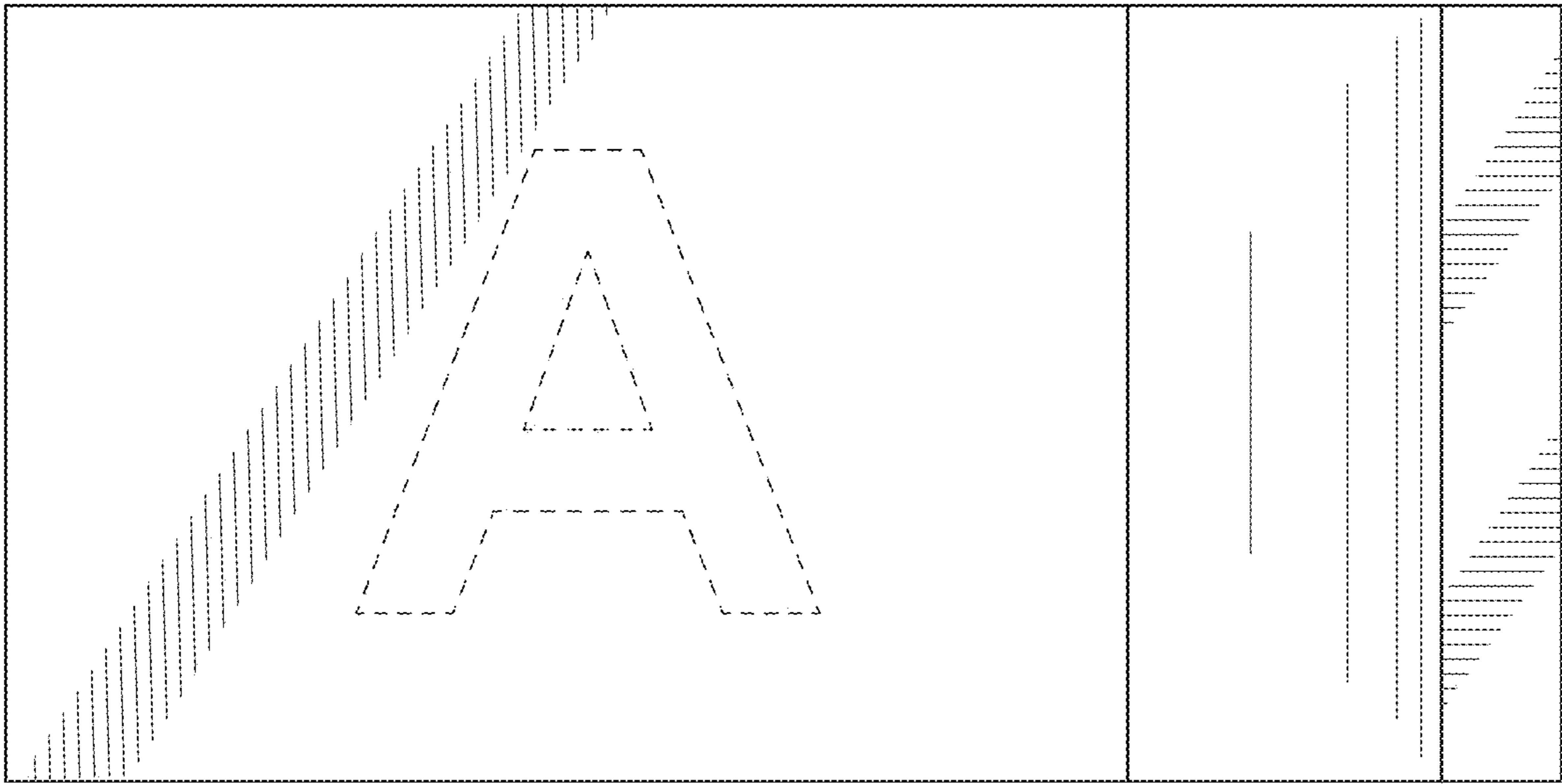


FIG. 2

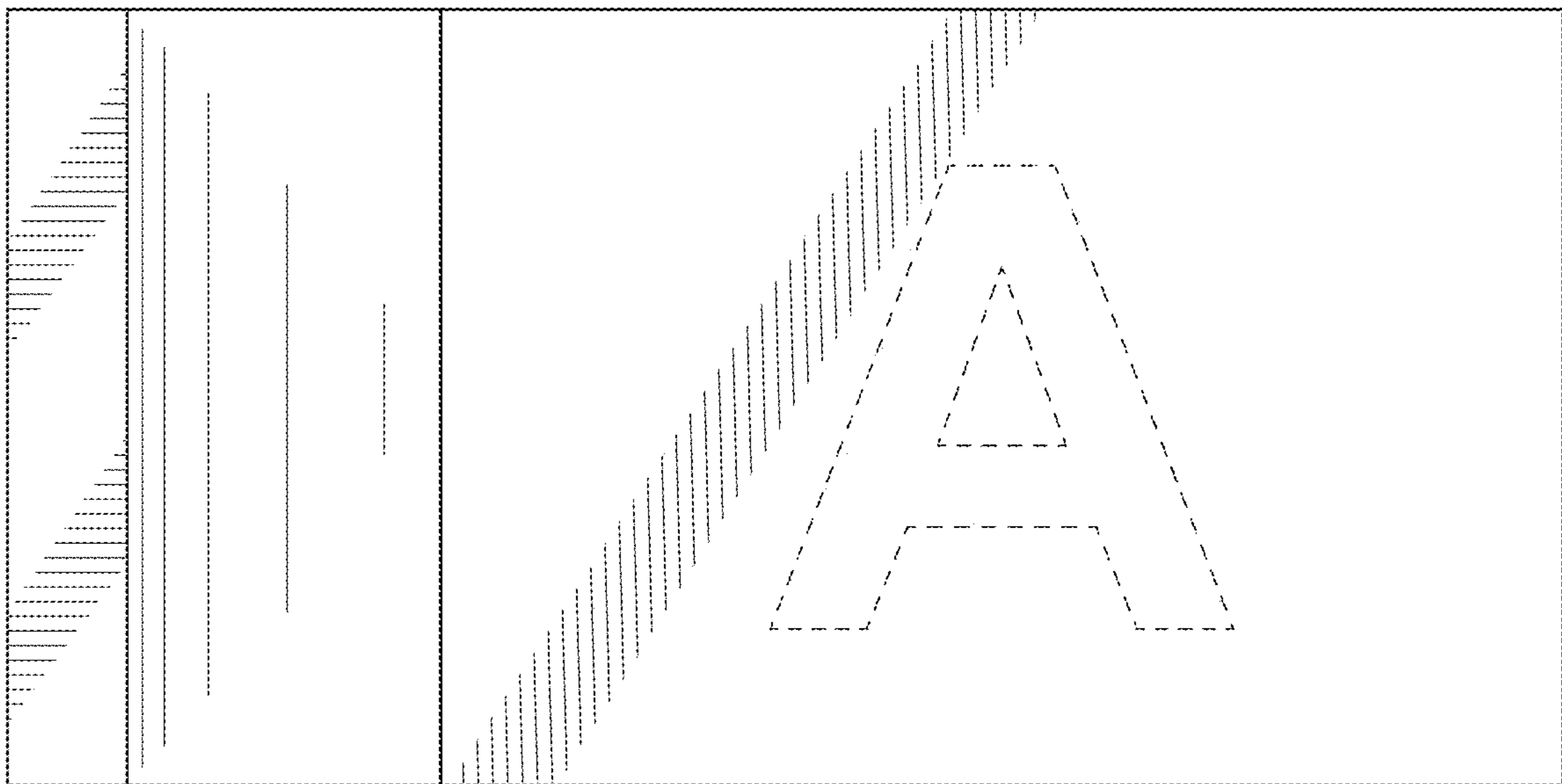


FIG. 3

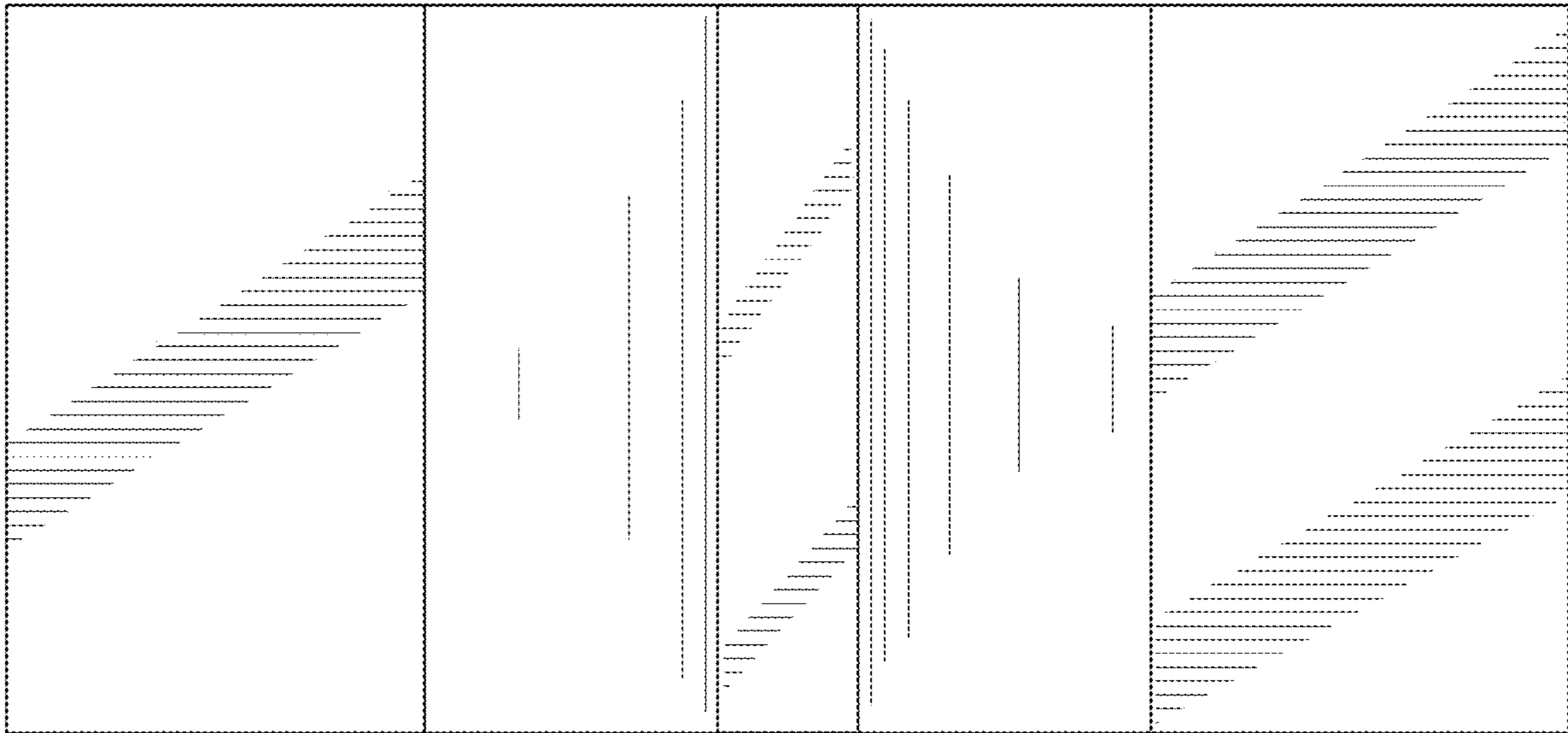


FIG. 4

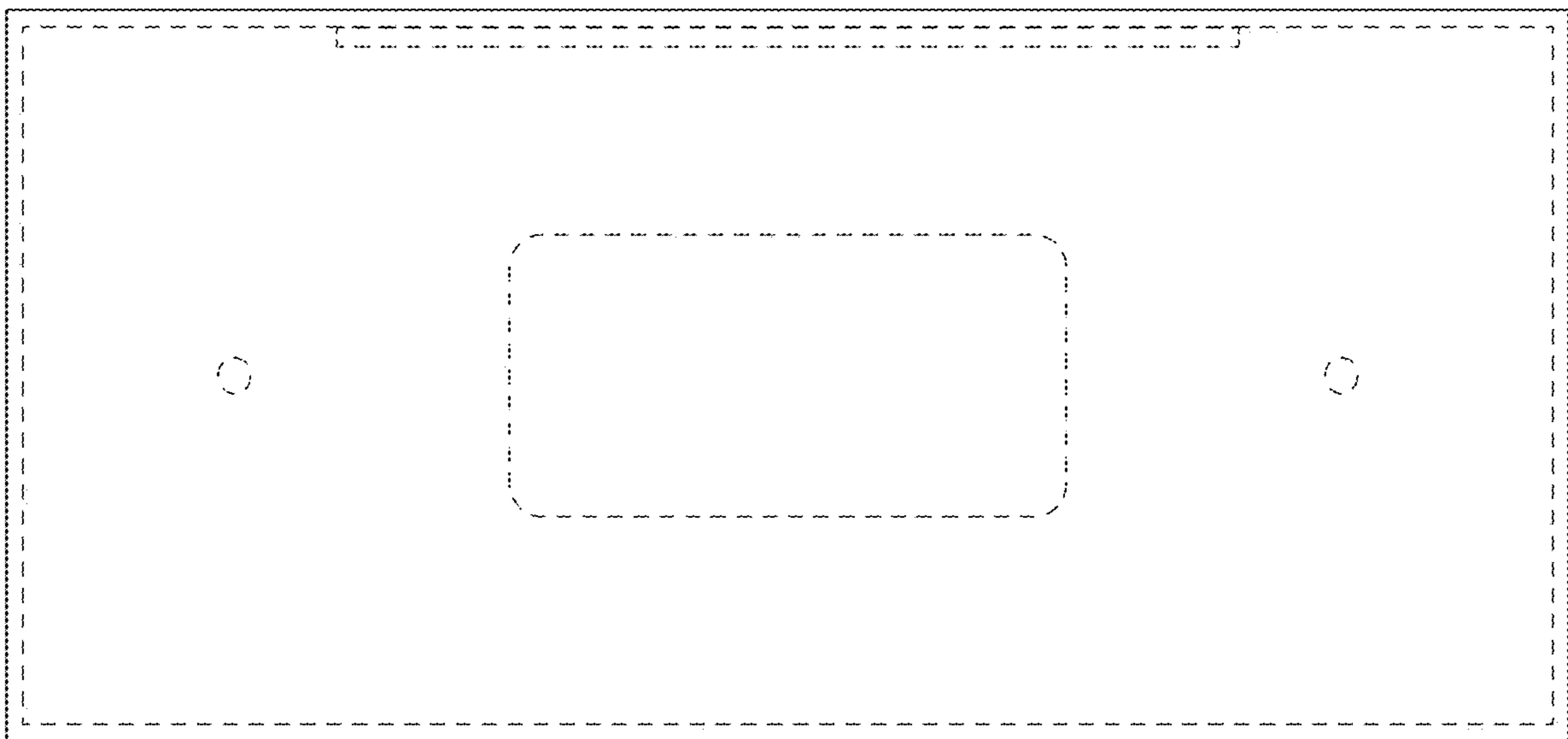


FIG. 5

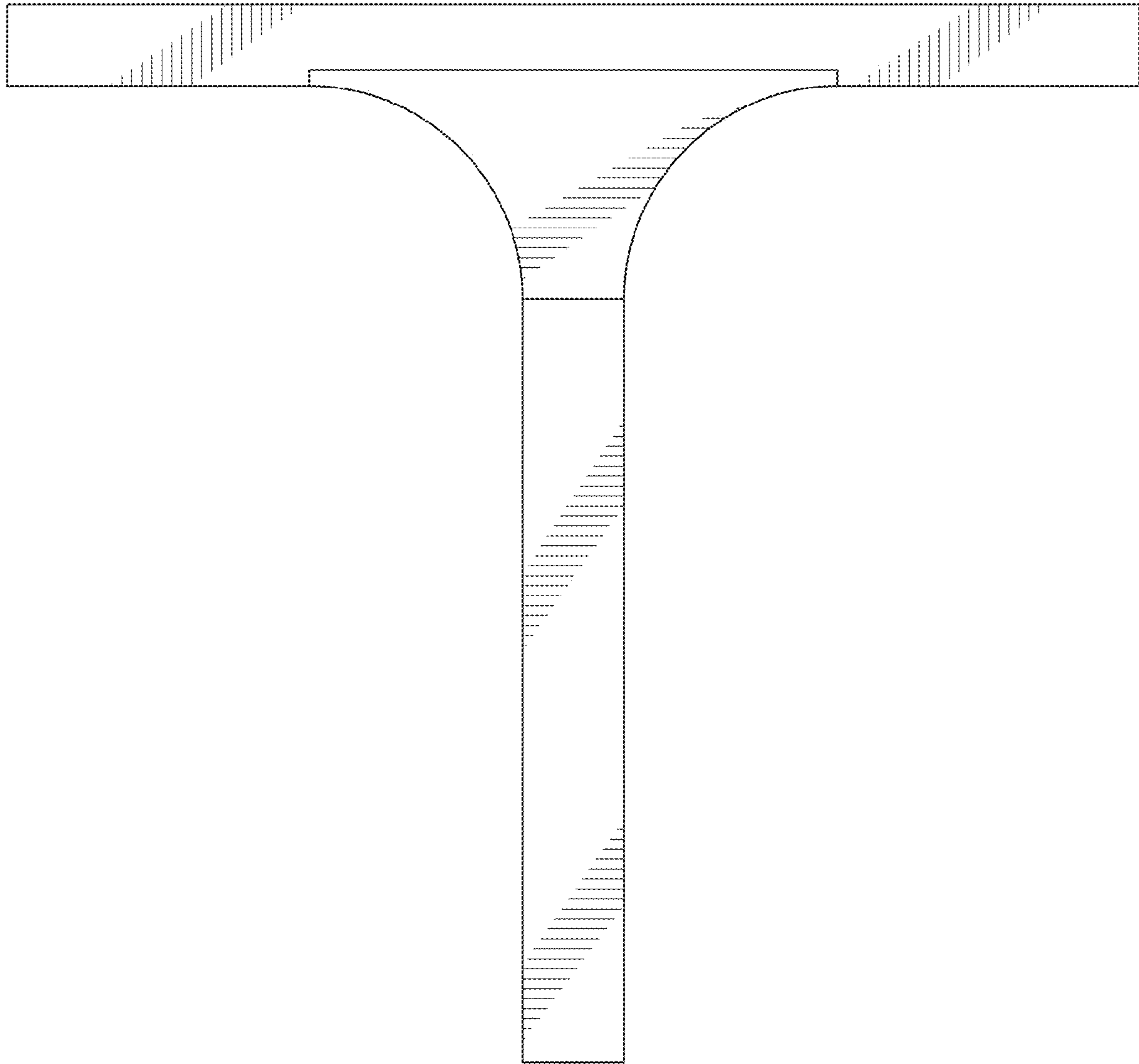


FIG. 6

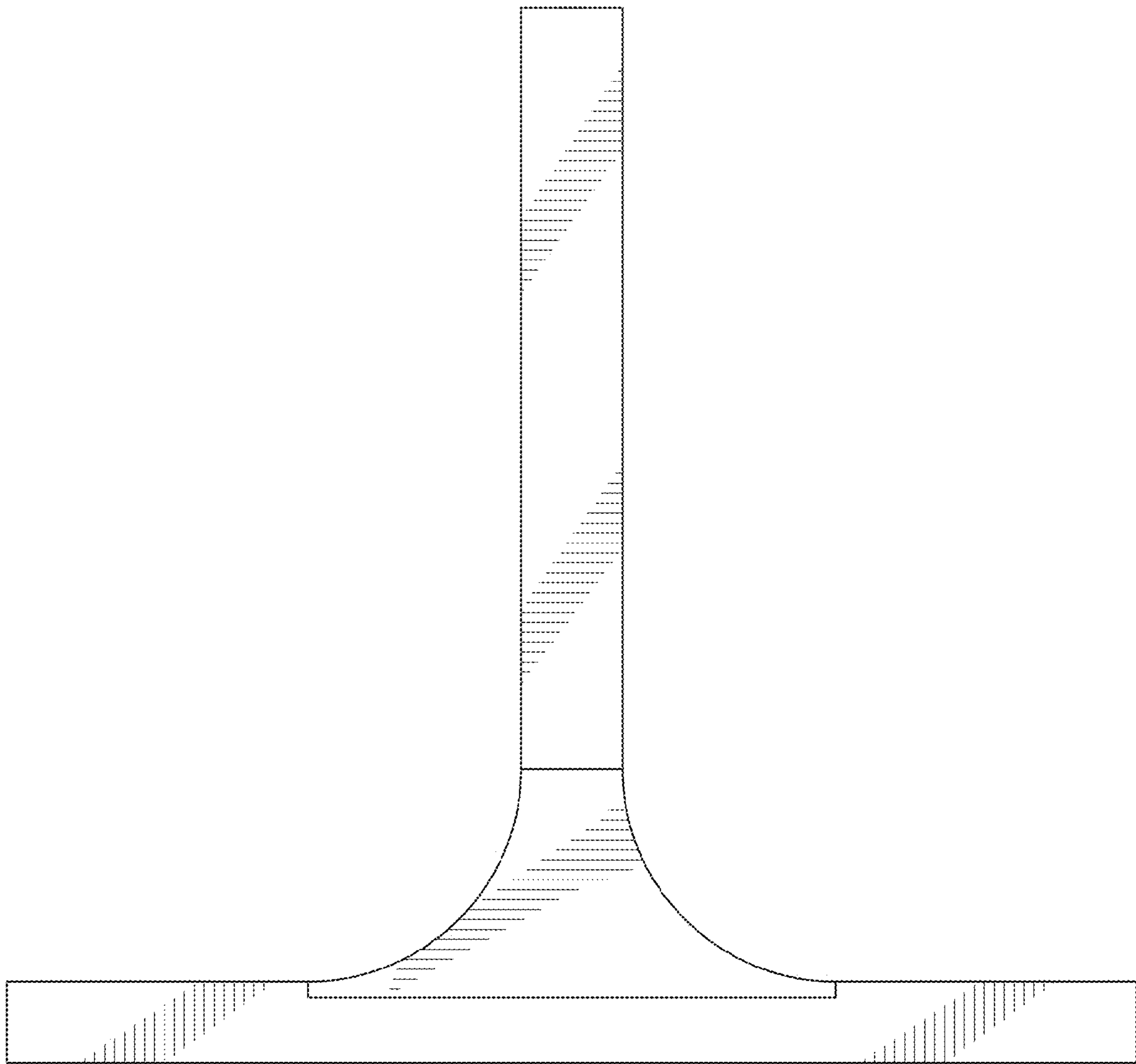


FIG. 7

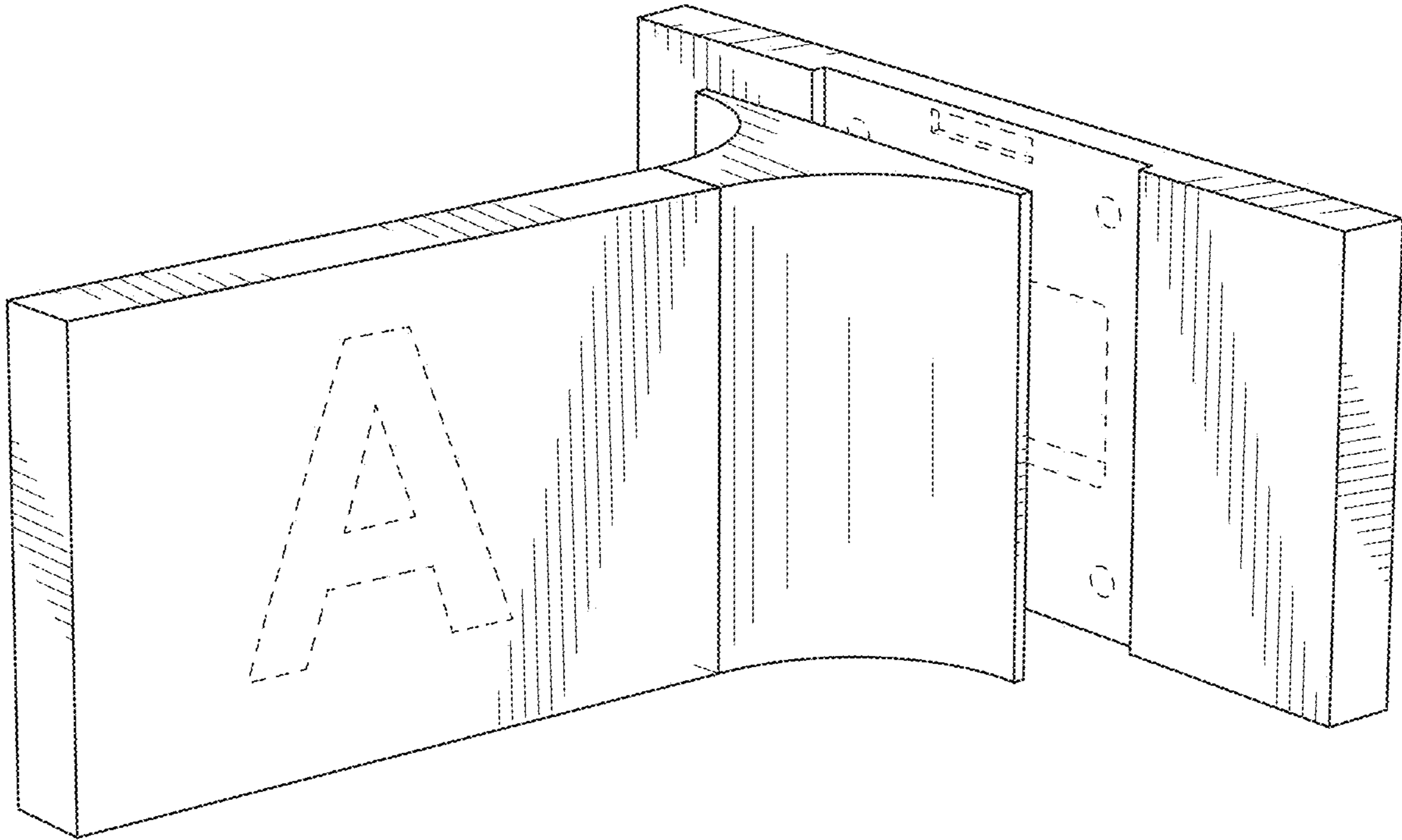


FIG. 8

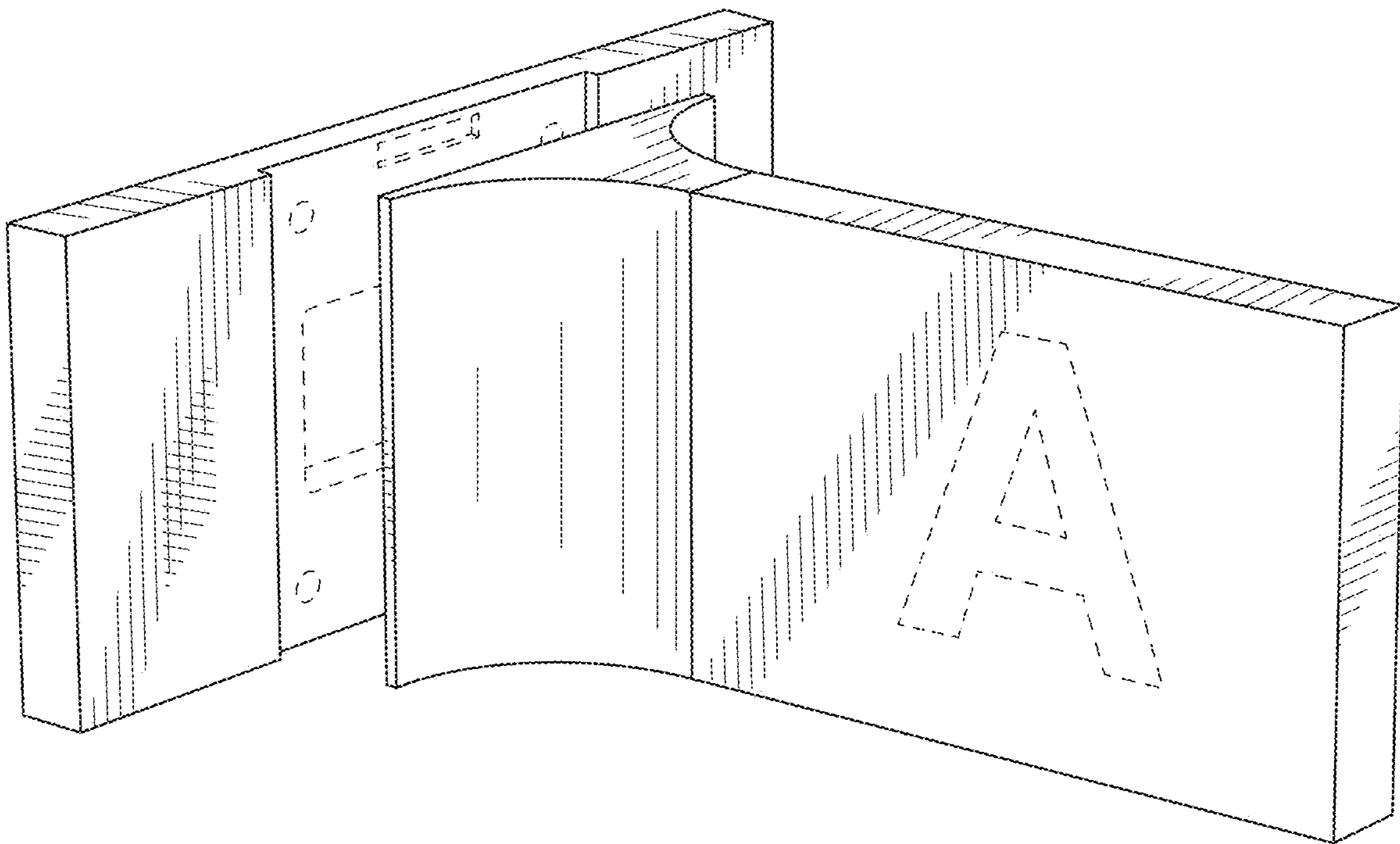


FIG. 9