



US00D899519S

(12) **United States Design Patent**
Lengyel

(10) **Patent No.:** **US D899,519 S**

(45) **Date of Patent:** **** Oct. 20, 2020**

(54) **BOARD**

(71) Applicant: **Jennifer Lynn Lengyel**, Bridgeville, PA (US)

(72) Inventor: **Jennifer Lynn Lengyel**, Bridgeville, PA (US)

(**) Term: **15 Years**

(21) Appl. No.: **29/689,793**

(22) Filed: **May 1, 2019**

(51) **LOC (12) Cl.** **19-02**

(52) **U.S. Cl.**
USPC **D19/88**; D19/113

(58) **Field of Classification Search**
USPC D19/113, 114, 81, 88, 26-33; D6/310, D6/311; D7/698; D20/10, 19, 39, 40, D20/41, 42; D14/341, 440
CPC B43L 1/00; B43L 1/008; B43L 1/08; B43L 1/04; B43L 5/00; B43L 5/02; B43L 5/002; B43L 5/005; B43L 5/007; B42F 9/001; B42F 9/002; B42F 9/004; B42F 9/005; B42F 9/007; B42F 9/008; G09F 15/00; G09F 15/006; G09F 15/0012; G09F 1/12; G09F 7/00; B44D 3/18; B44D 3/185

See application file for complete search history.

(56) **References Cited**

U.S. PATENT DOCUMENTS

1,375,399	A *	4/1921	Leonard	A47J 43/28
					241/95
D174,188	S *	3/1955	Martin	D19/113
3,450,071	A *	6/1969	Mack	B43L 5/02
					108/28
D256,754	S *	9/1980	LoJacono	248/441.1
D285,270	S *	8/1986	Hannah	D14/457

D382,735	S *	8/1997	Zapf	D6/703.1
D395,639	S *	6/1998	Ham	D14/389
D398,650	S *	9/1998	Shamoon	D19/65
D428,927	S *	8/2000	Chang	D19/78
D475,748	S *	6/2003	Shamoon	D19/78
D491,001	S *	6/2004	Adams	D6/314
D492,358	S *	6/2004	Chen	D19/65
D500,800	S *	1/2005	Shamoon	D19/78
D510,389	S *	10/2005	Shamoon	D19/78
D569,433	S *	5/2008	Gerules	D19/113
D575,826	S *	8/2008	Chen	D19/88
D580,990	S *	11/2008	Chang	D19/88
D586,400	S *	2/2009	Shamoon	D19/88
D595,357	S *	6/2009	Simpson	D19/88
D599,856	S *	9/2009	Chen	D19/88
D647,969	S *	11/2011	Shamoon	D19/88
D692,949	S *	11/2013	Shamoon	D19/88
D697,135	S *	1/2014	Tsai	D19/88
D702,762	S *	4/2014	Small	B42F 9/001
					D19/88
D769,972	S *	10/2016	Thomson	D19/88
2012/0091308	A1 *	4/2012	Small	B42F 9/001
					248/452

* cited by examiner

Primary Examiner — Elizabeth A. Albert
(74) *Attorney, Agent, or Firm* — Maier & Maier, PLLC

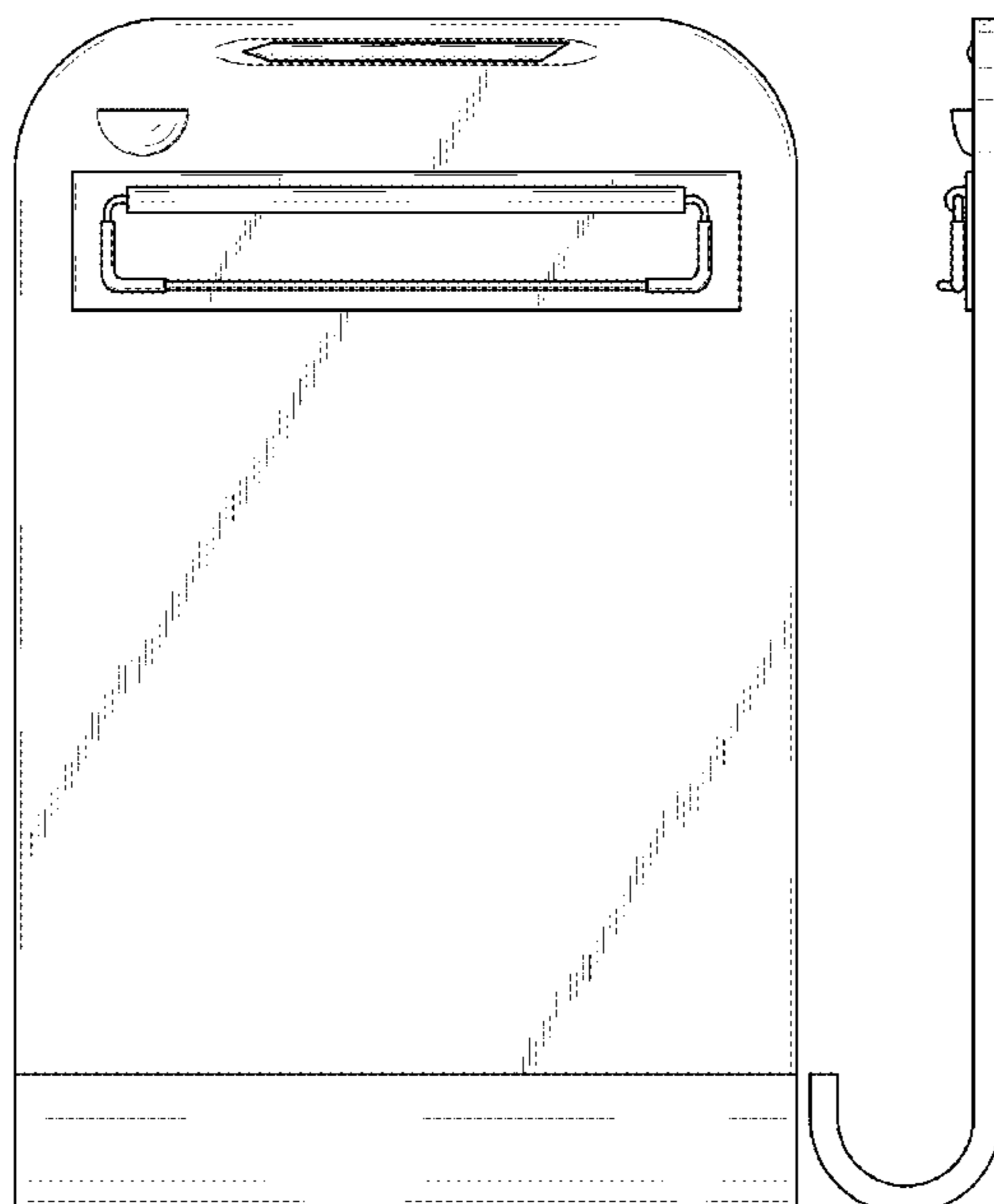
(57) **CLAIM**

The ornamental design for a board, as shown and described.

DESCRIPTION

FIG. 1 is a front elevational view of a board showing my design;
FIG. 2 is a top plan view thereof;
FIG. 3 is a left side elevational view thereof;
FIG. 4 is a bottom plan view thereof;
FIG. 5 is a right side elevational view thereof; and,
FIG. 6 is a rear elevational view thereof.

1 Claim, 3 Drawing Sheets



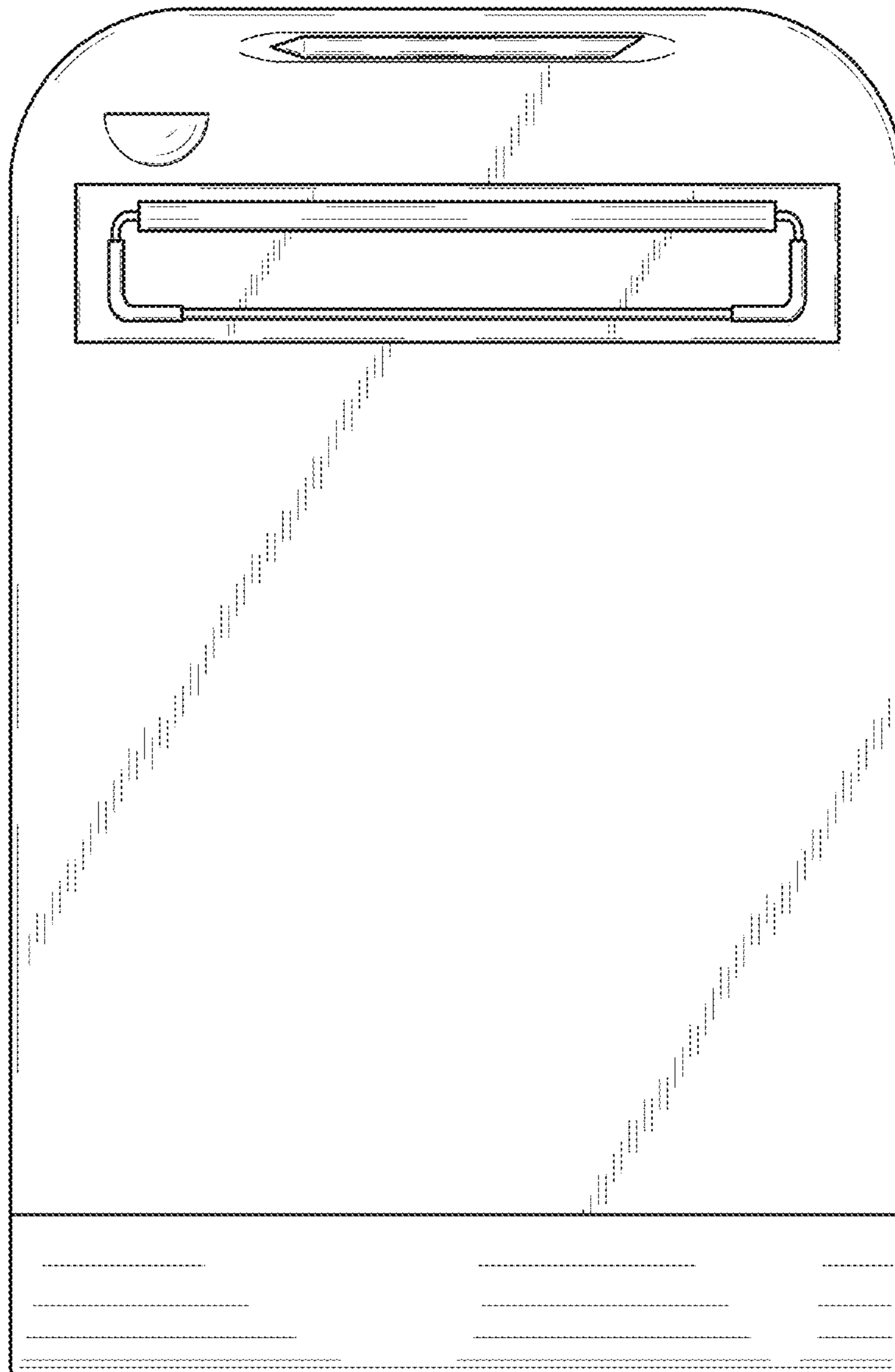


Fig. 1

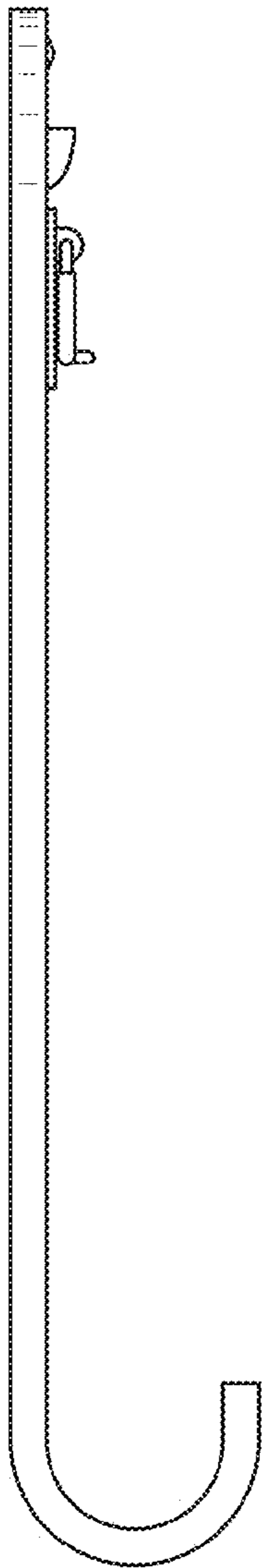


Fig. 3

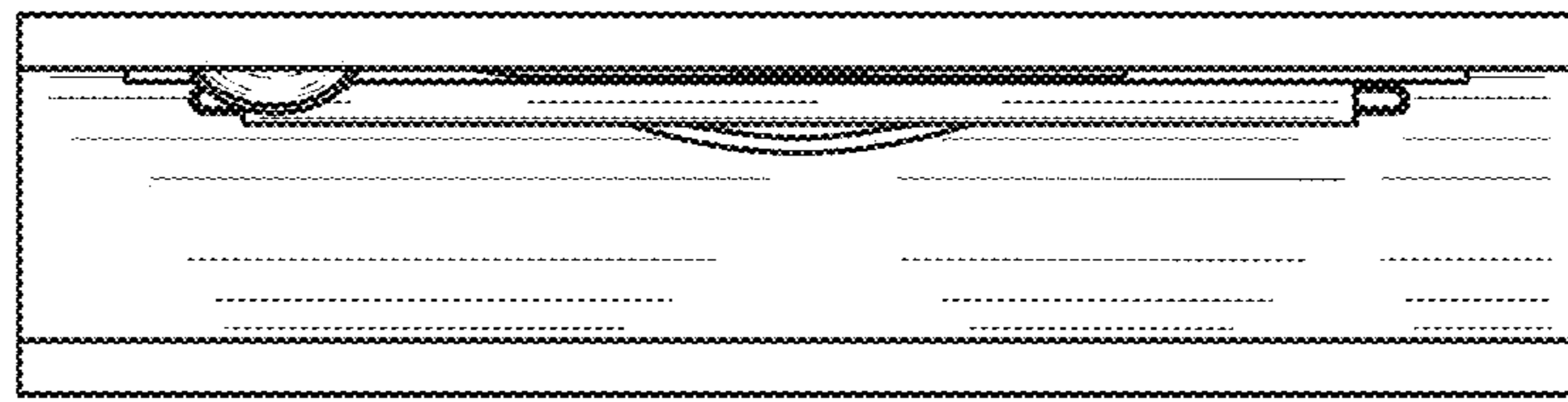


Fig. 2



Fig. 5

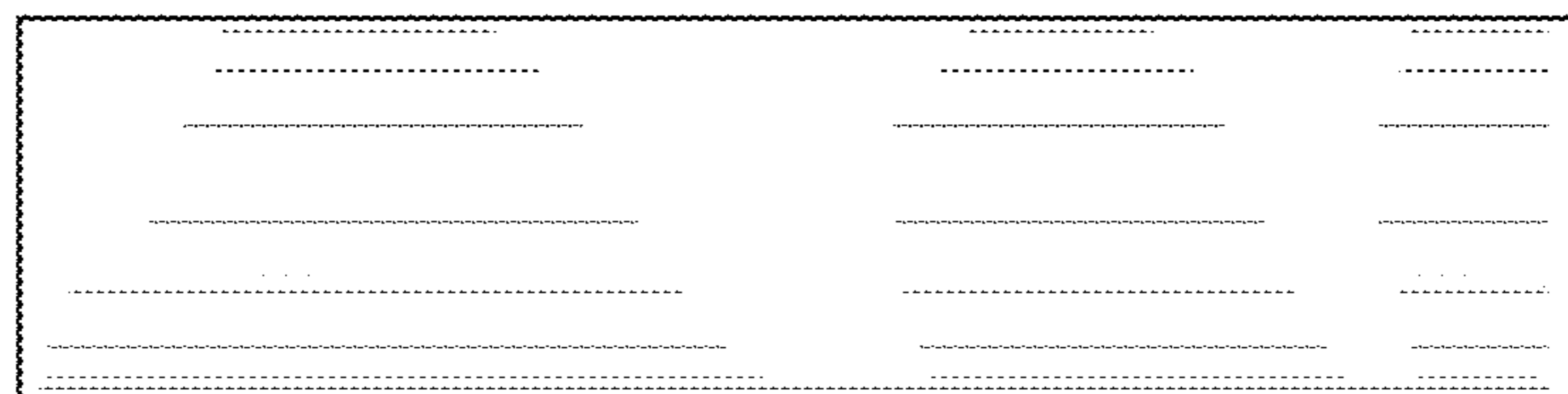


Fig. 4

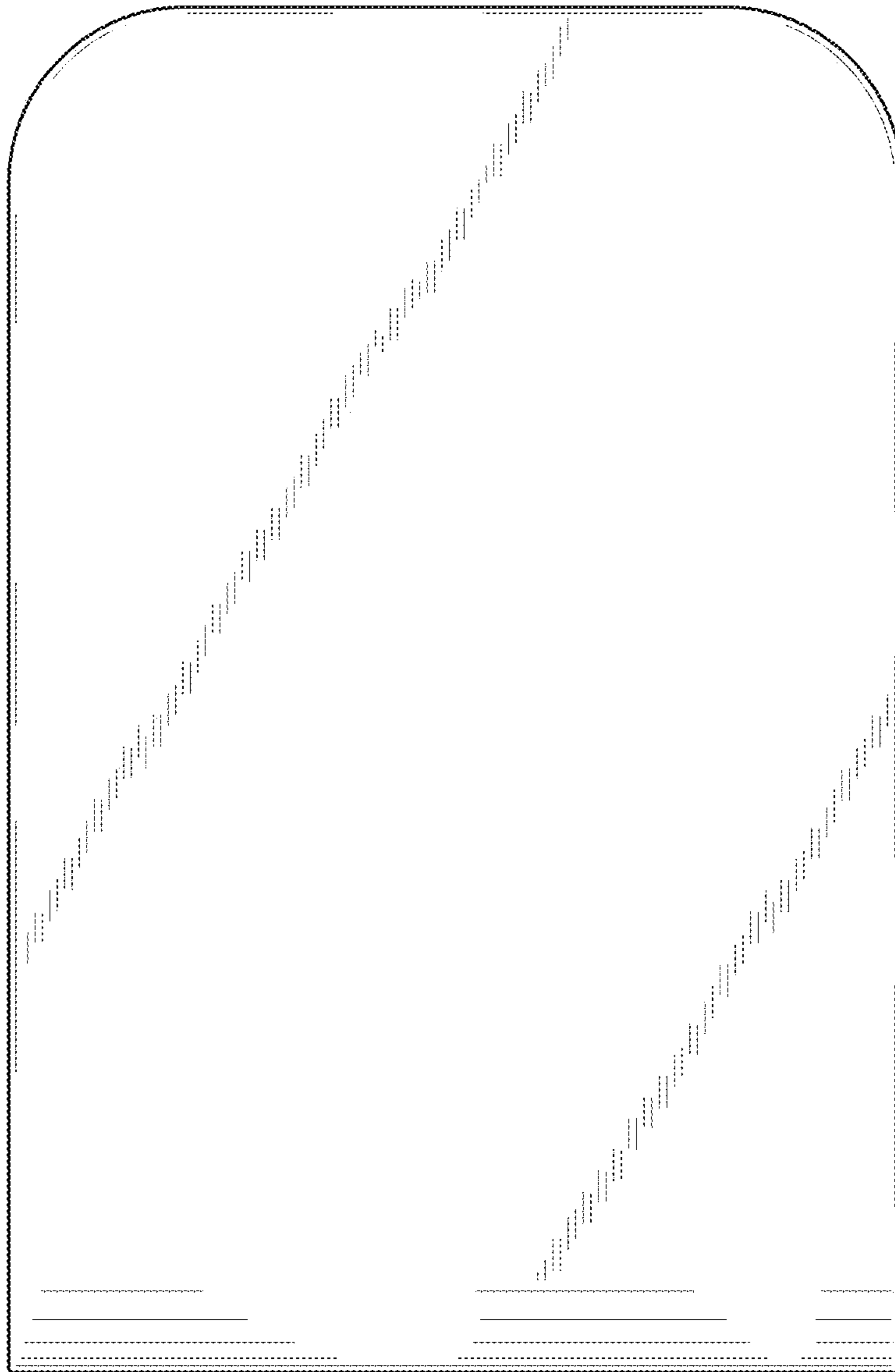


Fig. 6