

US00D899517S

(12) **United States Design Patent** (10) **Patent No.:** **US D899,517 S**
Takeuchi et al. (45) **Date of Patent:** **** Oct. 20, 2020**

(54) **PRINTER**

(71) Applicant: **CANON KABUSHIKI KAISHA,**
Tokyo (JP)

(72) Inventors: **Motoaki Takeuchi,** Tokyo (JP); **Daijiro**
Nagasaki, Tokyo (JP)

(**) Term: **15 Years**

(21) Appl. No.: **35/506,363**

(22) Filed: **Aug. 24, 2018**

(80) **Hague Agreement Data**

Int. Filing Date: **Aug. 24, 2018**

Int. Reg. No.: **DM/102670**

Int. Reg. Date: **Aug. 24, 2018**

Int. Reg. Pub. Date: **Mar. 1, 2019**

(30) **Foreign Application Priority Data**

Feb. 28, 2018 (JP) 2018-004121

(51) **LOC (12) Cl.** **18-02**

(52) **U.S. Cl.**
USPC **D18/56**

(58) **Field of Classification Search**

USPC D18/50, 53, 54, 56

CPC G06K 15/12; G06K 15/14; B41J 11/00;
G03G 15/00; G03G 15/0142; H04N
1/00129; H04N 1/00204; H04N 1/00278

See application file for complete search history.

(56) **References Cited**

U.S. PATENT DOCUMENTS

D430,596 S * 9/2000 Shiozaki D18/39
D723,615 S * 3/2015 Sato D18/50
D778,983 S * 2/2017 Kim D18/53

D800,125 S * 10/2017 Yin D14/422
D803,308 S * 11/2017 Takahashi D18/36
D806,789 S * 1/2018 Hirota D18/50
D807,428 S * 1/2018 Brown D18/55
D811,473 S * 2/2018 Brown D18/50
9,888,138 B2 * 2/2018 Nakamura H04N 1/00551
D815,199 S * 4/2018 Kim D18/53
D816,155 S * 4/2018 Brown D18/50
D820,906 S * 6/2018 Brown D18/50
D821,489 S * 6/2018 Brown D18/41
D826,318 S * 8/2018 Brown D18/50
D832,342 S * 10/2018 Brown D18/50
D837,292 S * 1/2019 Li H04N 1/00551
D18/50
D865,052 S * 10/2019 Oda D18/50

FOREIGN PATENT DOCUMENTS

JP D1589393 S 2/2018
JP D1590245 S 2/2018
JP D1590246 S 2/2018

* cited by examiner

Primary Examiner — Robert M. Spear

(57) **CLAIM**

The ornamental design for a printer, as shown and described.

DESCRIPTION

Printer

1.1 : Front

1.2 : Back

1.3 : Top

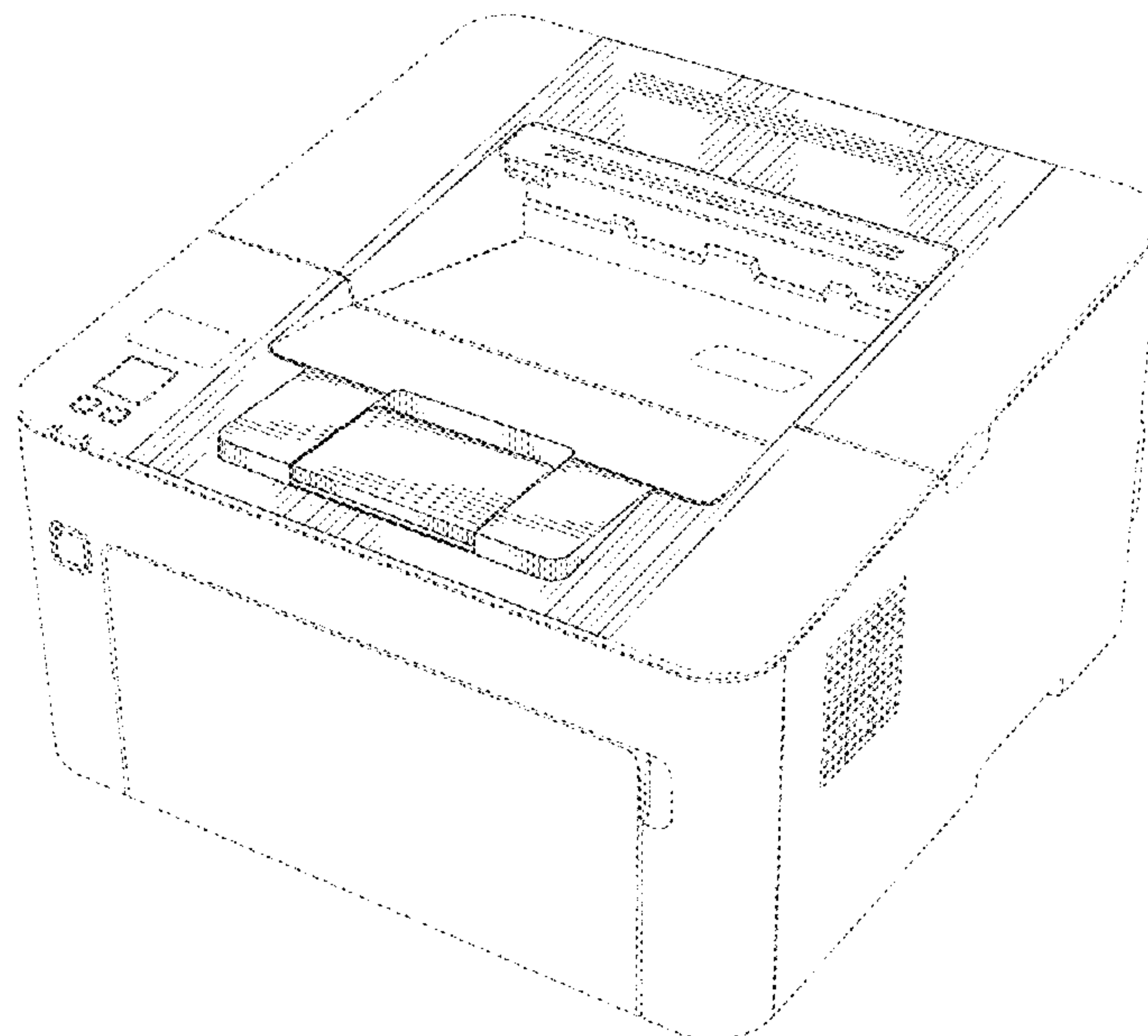
1.4 : Left

1.5 : Right

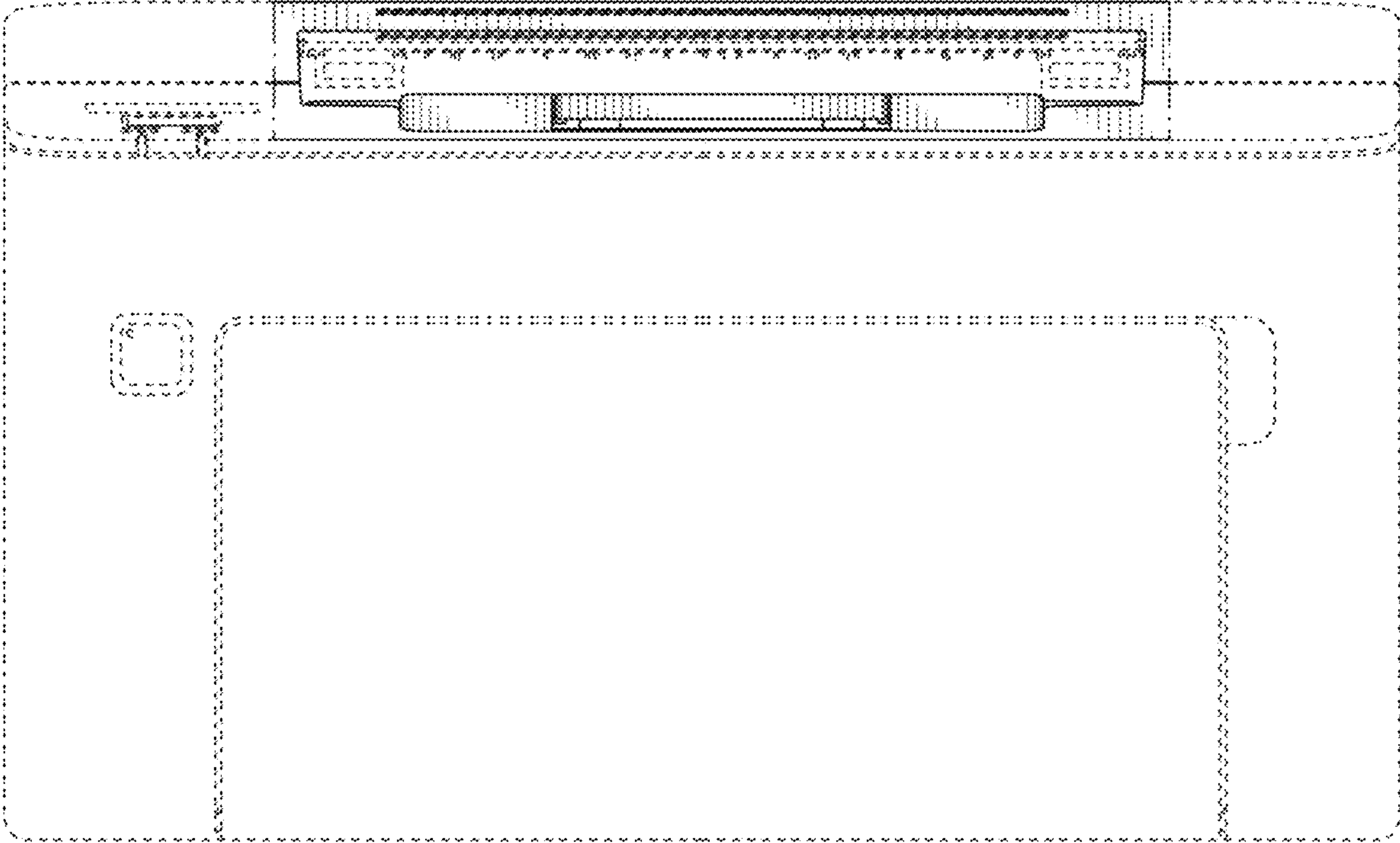
1.6 : Perspective

The claim comprises the shaded surfaces shown in the drawings. No protection is sought for the matter shown in broken lines and the dotted-dashed lines show the boundary between the claimed part and the other part.

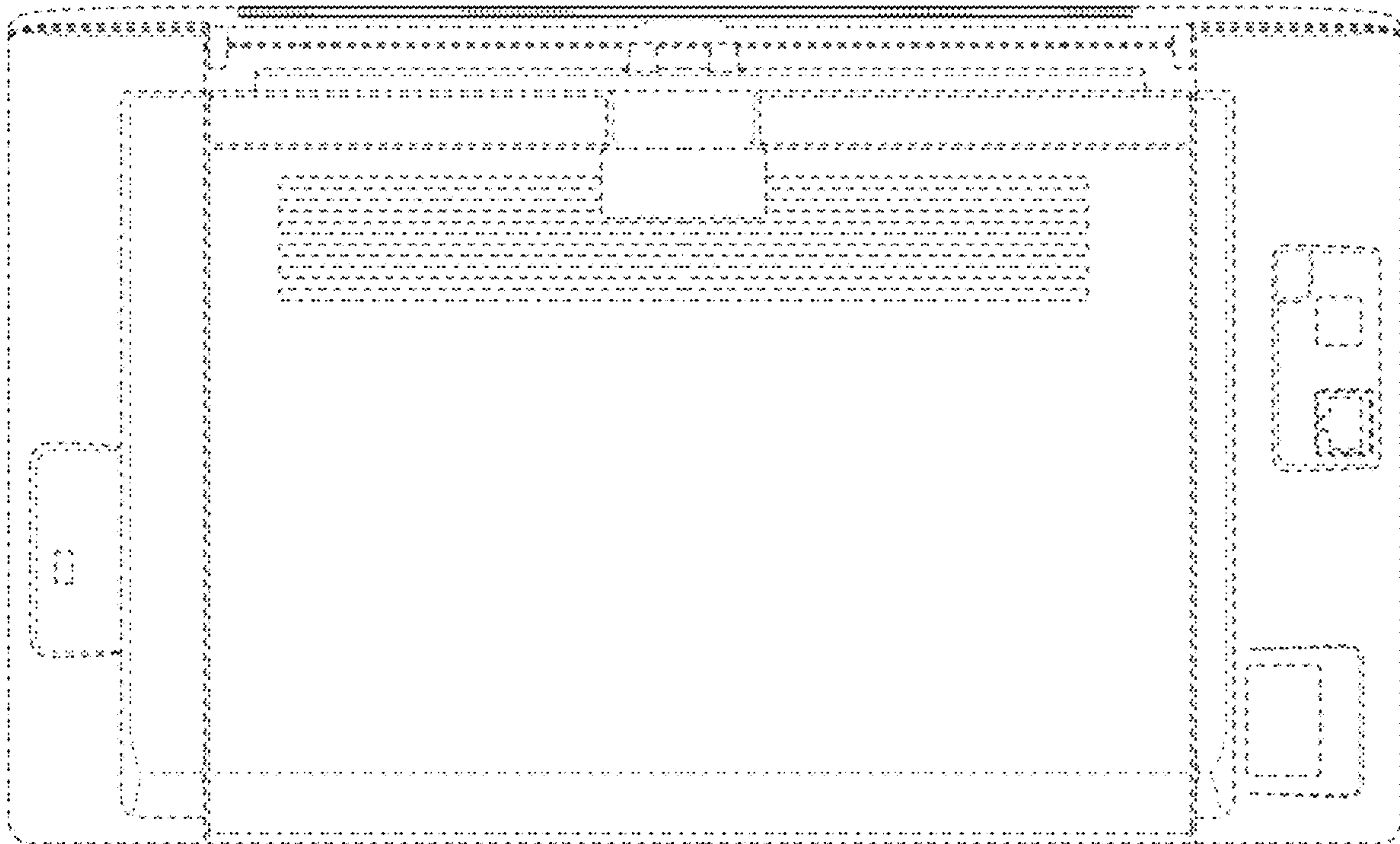
1 Claim, 6 Drawing Sheets



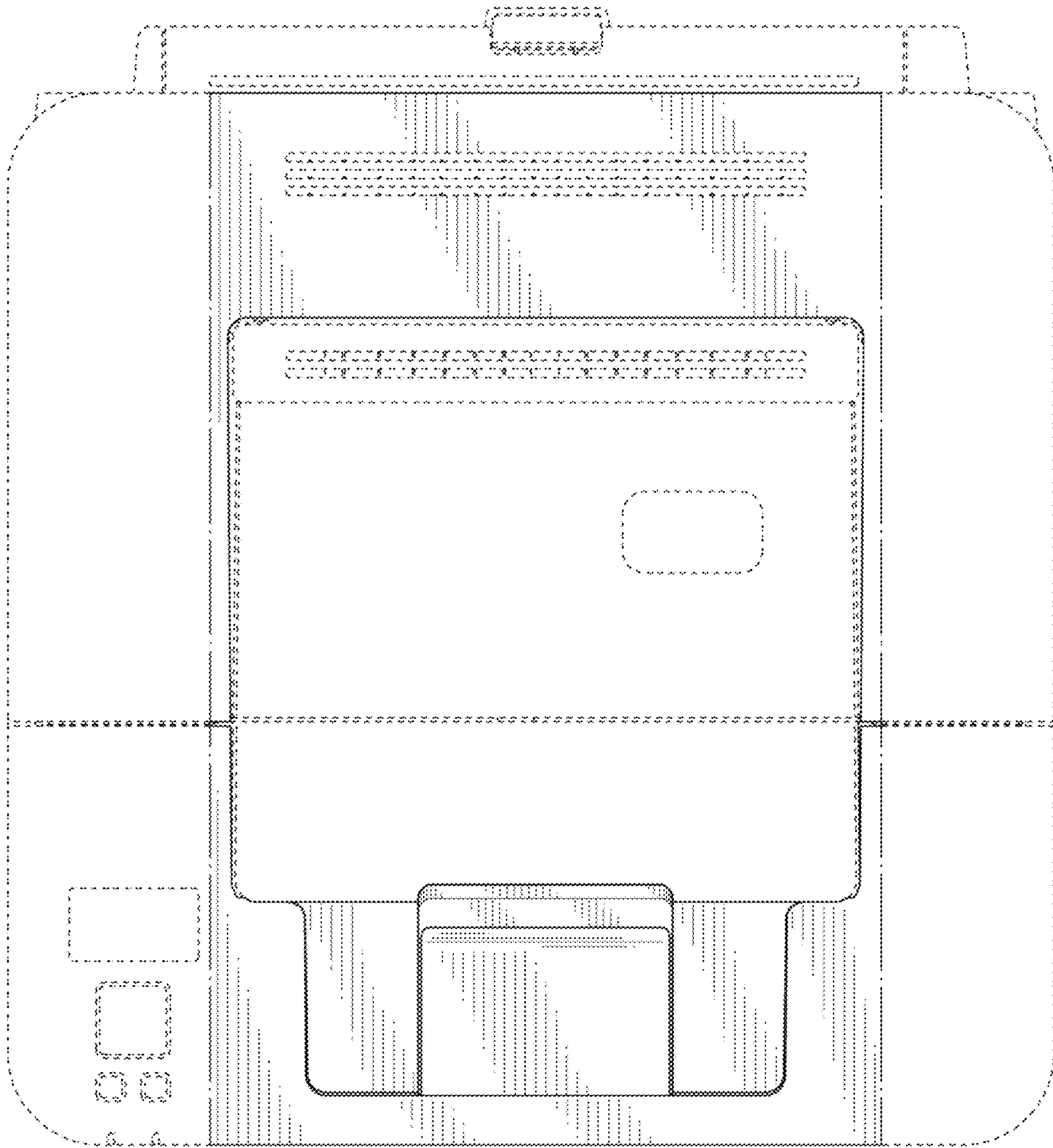
1.1



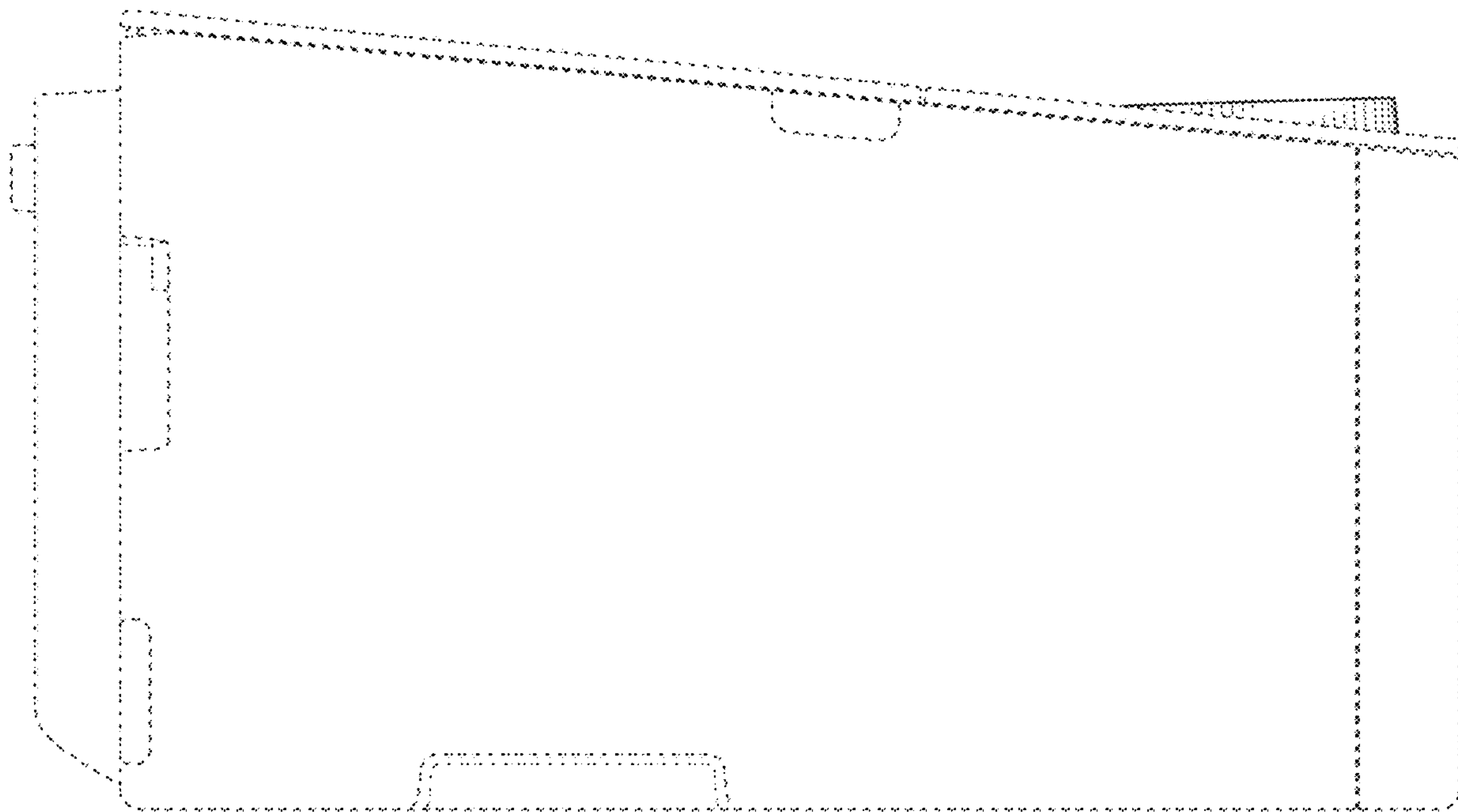
1.2



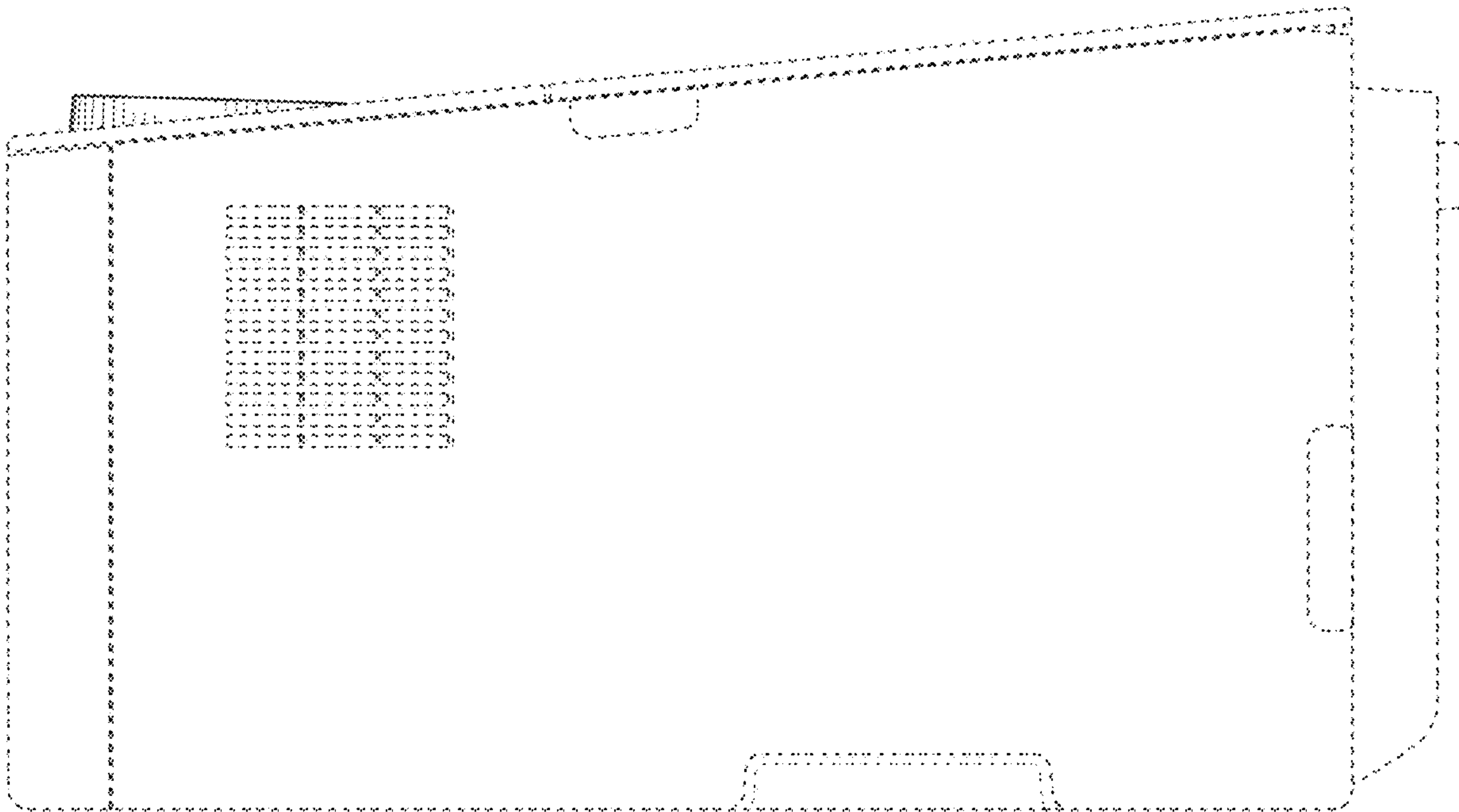
1.3



1.4



1.5



1.6

