

US00D899513S

(12) **United States Design Patent** (10) **Patent No.:** **US D899,513 S**  
**Ohashi et al.** (45) **Date of Patent:** **\*\* Oct. 20, 2020**

(54) **INK CARTRIDGE FOR COMPUTER PRINTER**

CPC ..... G03G 15/0142; G03G 15/00  
See application file for complete search history.

(71) Applicant: **CANON KABUSHIKI KAISHA,**  
Tokyo (JP)

(56) **References Cited**

(72) Inventors: **Tetsuya Ohashi,** Tokyo (JP); **Takashi Fukushima,** Tokyo (JP); **Hironori Murakami,** Tokyo (JP); **Ryoji Inoue,** Tokyo (JP); **Takeho Miyashita,** Tokyo (JP); **Yasuo Kotaki,** Tokyo (JP); **Kyosuke Nagaoka,** Tokyo (JP)

U.S. PATENT DOCUMENTS

D330,215 S *	10/1992	Saito .....	D18/40
D337,259 S *	7/1993	Curtis .....	D24/110
D376,614 S *	12/1996	Ichikawa .....	D18/40
D389,176 S *	1/1998	Ichikawa .....	D18/43
D395,058 S *	6/1998	Montes .....	D18/40
D403,348 S *	12/1998	Matsuoka .....	D18/43
D408,845 S *	4/1999	Harumoto .....	D18/43
D538,850 S *	3/2007	Choi .....	D18/56
D559,902 S *	1/2008	Park .....	D18/56
D624,960 S *	10/2010	Inoue .....	347/86
D626,173 S *	10/2010	Inoue .....	347/86

(Continued)

(\*\*) Term: **15 Years**

*Primary Examiner* — Robert M. Spear

(21) Appl. No.: **35/507,171**

(57) **CLAIM**

(22) Filed: **Sep. 28, 2018**

The ornamental design for an ink cartridge for computer printers, as shown and described.

(80) **Hague Agreement Data**

Int. Filing Date: **Sep. 28, 2018**

Int. Reg. No.: **DM/201966**

Int. Reg. Date: **Sep. 28, 2018**

Int. Reg. Pub. Date: **Aug. 2, 2019**

**DESCRIPTION**

(30) **Foreign Application Priority Data**

Mar. 29, 2018 (JP) ..... 2018-006726

Mar. 29, 2018 (JP) ..... 2018-006727

Mar. 29, 2018 (JP) ..... 2018-006728

Mar. 29, 2018 (JP) ..... 2018-006729

Mar. 29, 2018 (JP) ..... 2018-006730

1.-2. Ink cartridge for computer printers

1.1 : Front

1.2 : Back

1.3 : Top

1.4 : Bottom

1.5 : Left

1.6 : Right

1.7 : Perspective

1.8 : Perspective

1.9 : Perspective

1.10 : Perspective

2.1 : Front

2.2 : Back

2.3 : Top

2.4 : Bottom

2.5 : Left

2.6 : Right

2.7 : Perspective

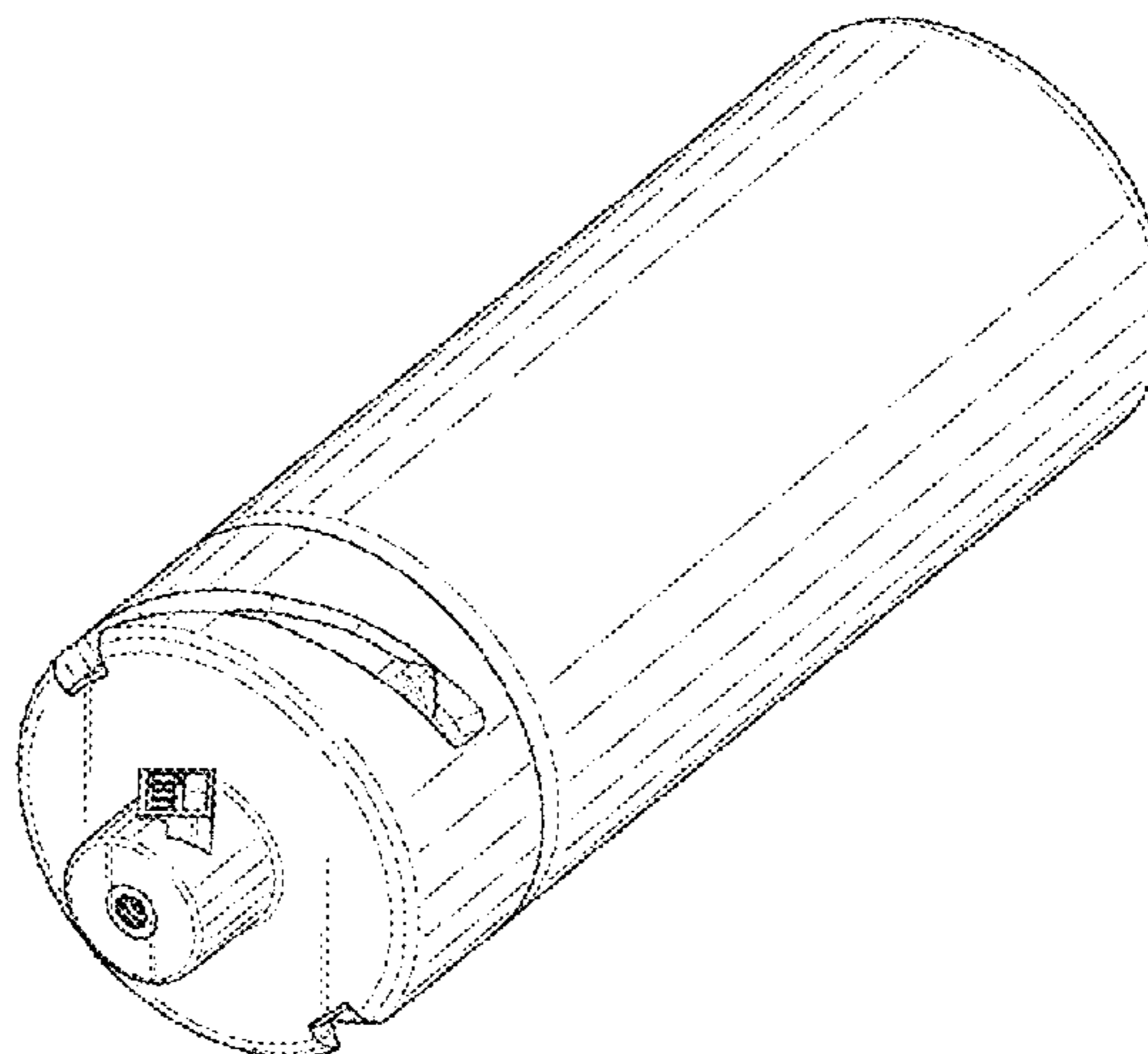
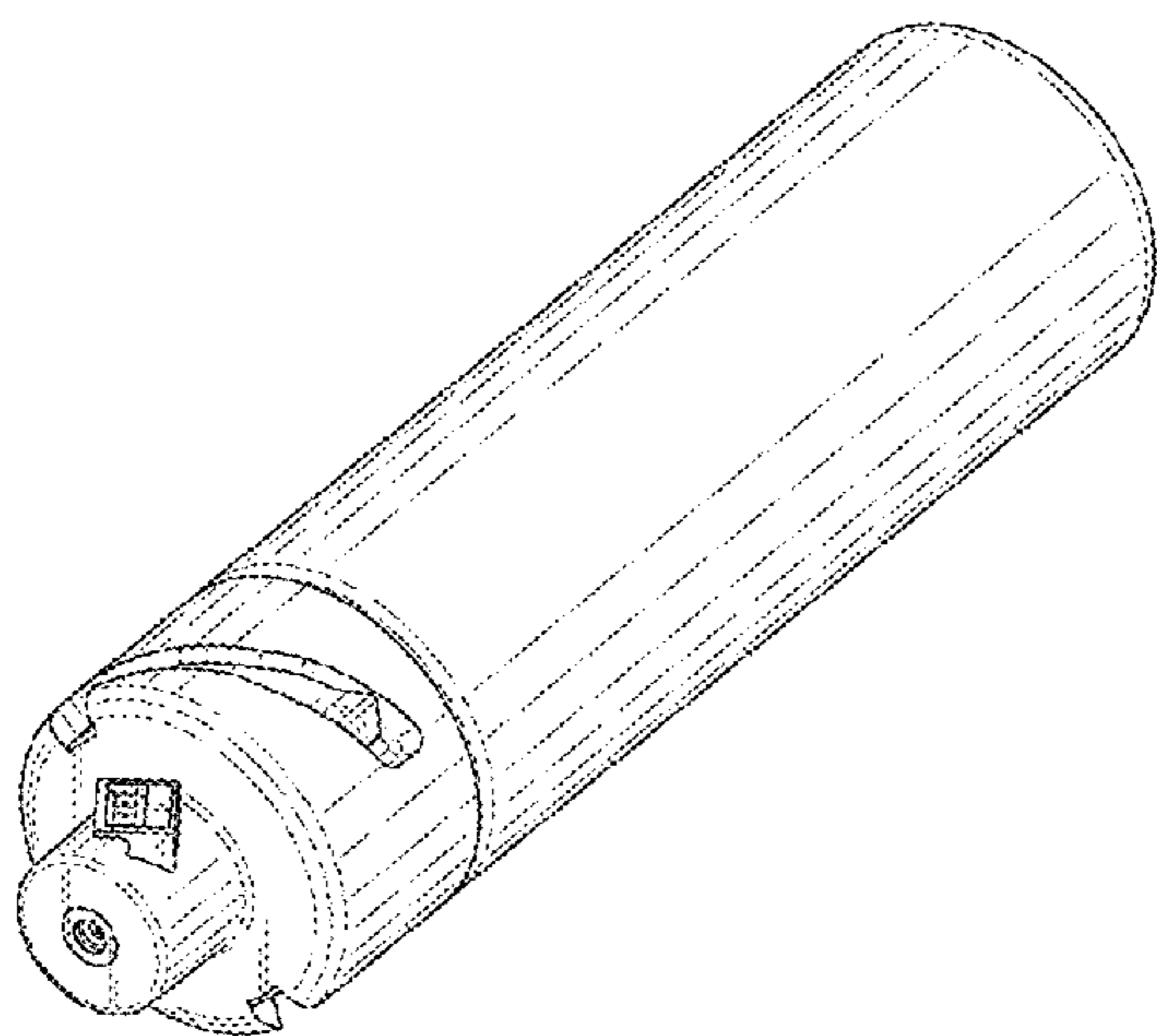
2.8 : Perspective

(51) **LOC (12) Cl.** ..... **16-03**

(52) **U.S. Cl.**  
USPC ..... **D18/43**

(58) **Field of Classification Search**  
USPC ..... D18/40, 43; D14/462, 471

(Continued)



2.9 : Perspective  
2.10 : Perspective

**1 Claim, 20 Drawing Sheets**

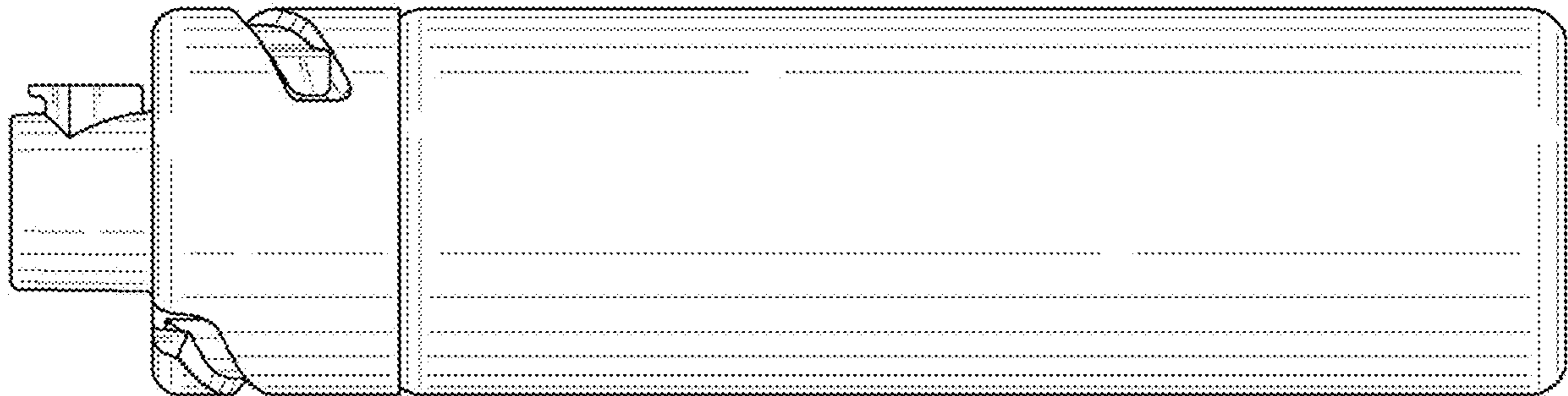
(56) **References Cited**

U.S. PATENT DOCUMENTS

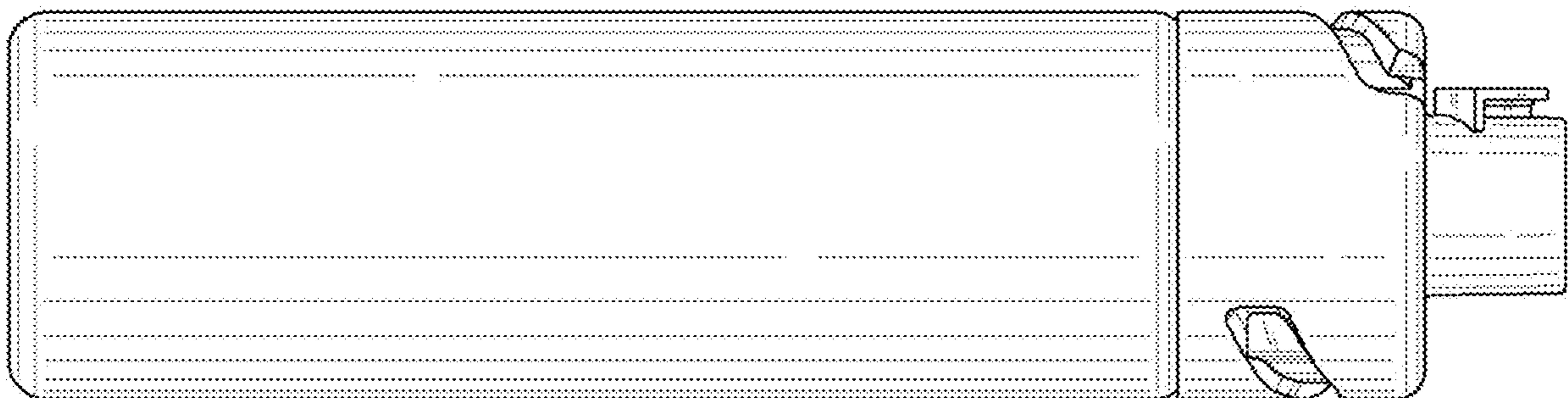
D629,447 S *	12/2010	Wegman	.....	D18/43
D677,718 S *	3/2013	Huck	.....	F16D 1/101
				D18/43
D683,392 S *	5/2013	Kurokawa	.....	D18/43
D683,393 S *	5/2013	Kurokawa	.....	D18/43
D683,788 S *	6/2013	Kurokawa	.....	D18/43
D685,023 S *	6/2013	Kurokawa	.....	D18/43
9,248,655 B2 *	2/2016	Nose	.....	B41J 2/17513
D812,680 S *	3/2018	Takiguchi	.....	D18/43
D812,681 S *	3/2018	Terakado	.....	D18/43
D816,158 S	4/2018	Yoshii		
D828,868 S *	9/2018	Kubo	.....	B41J 2/17513
				D18/43
D829,813 S *	10/2018	Kubo	.....	D18/43
D829,814 S *	10/2018	Kubo	.....	D18/43
D869,550 S	12/2019	Yoshii		

\* cited by examiner

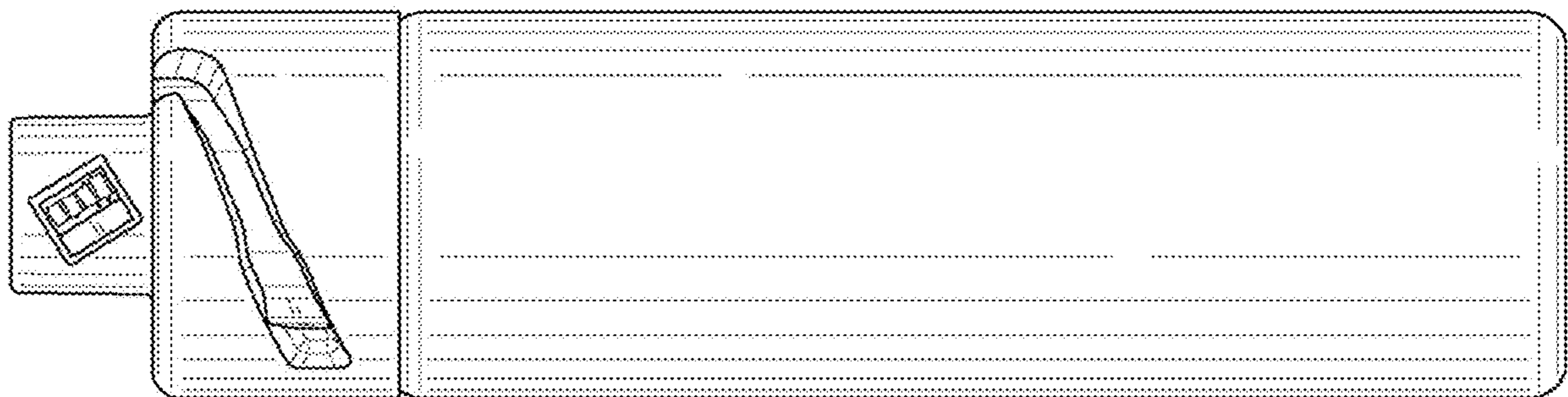
1.1



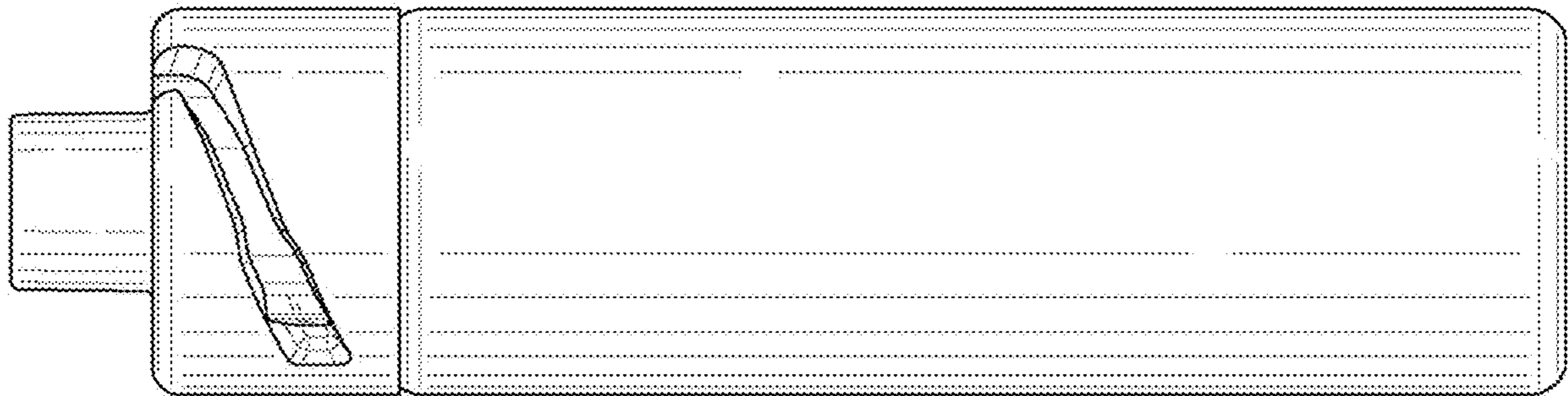
1.2



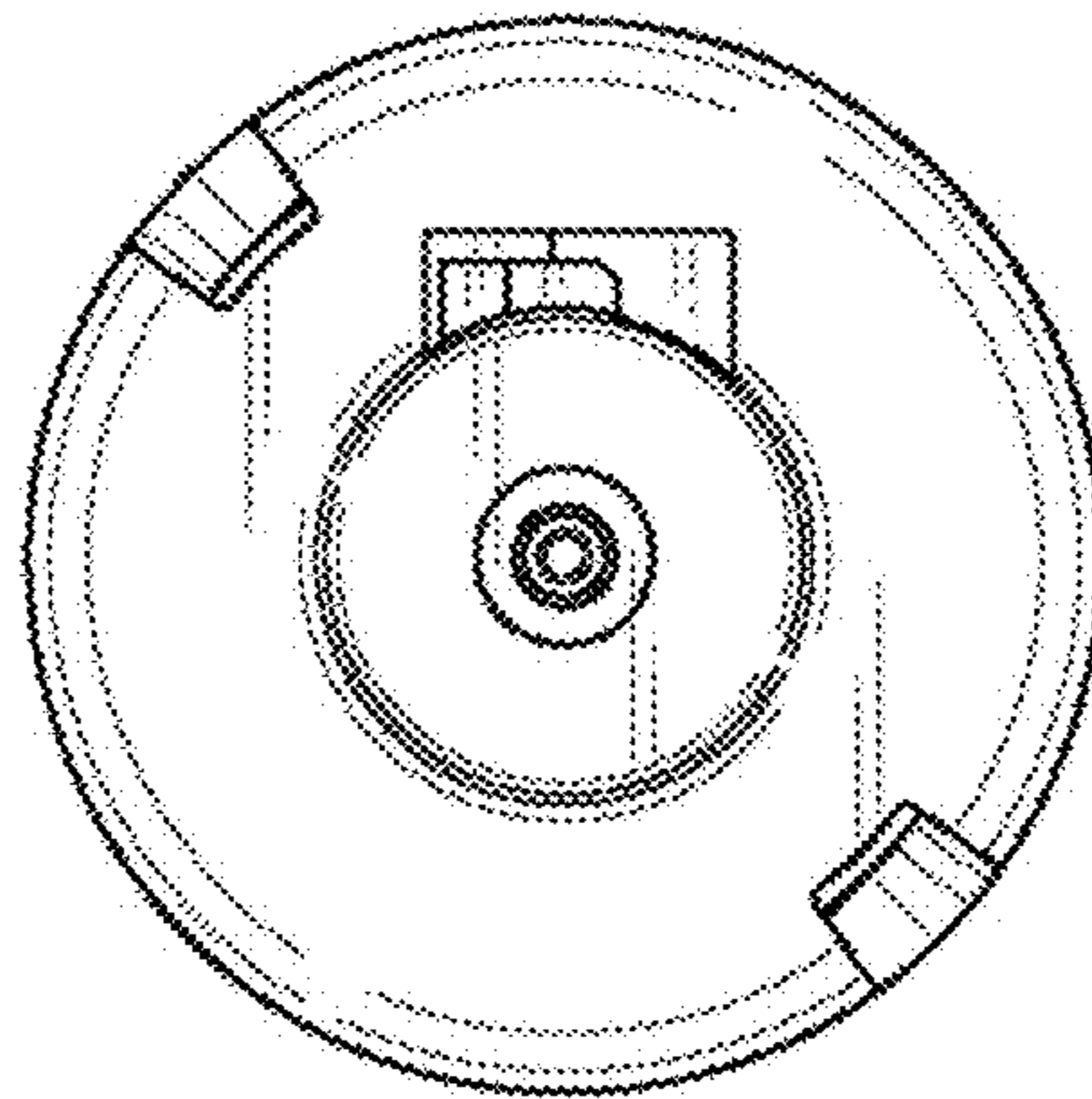
1.3



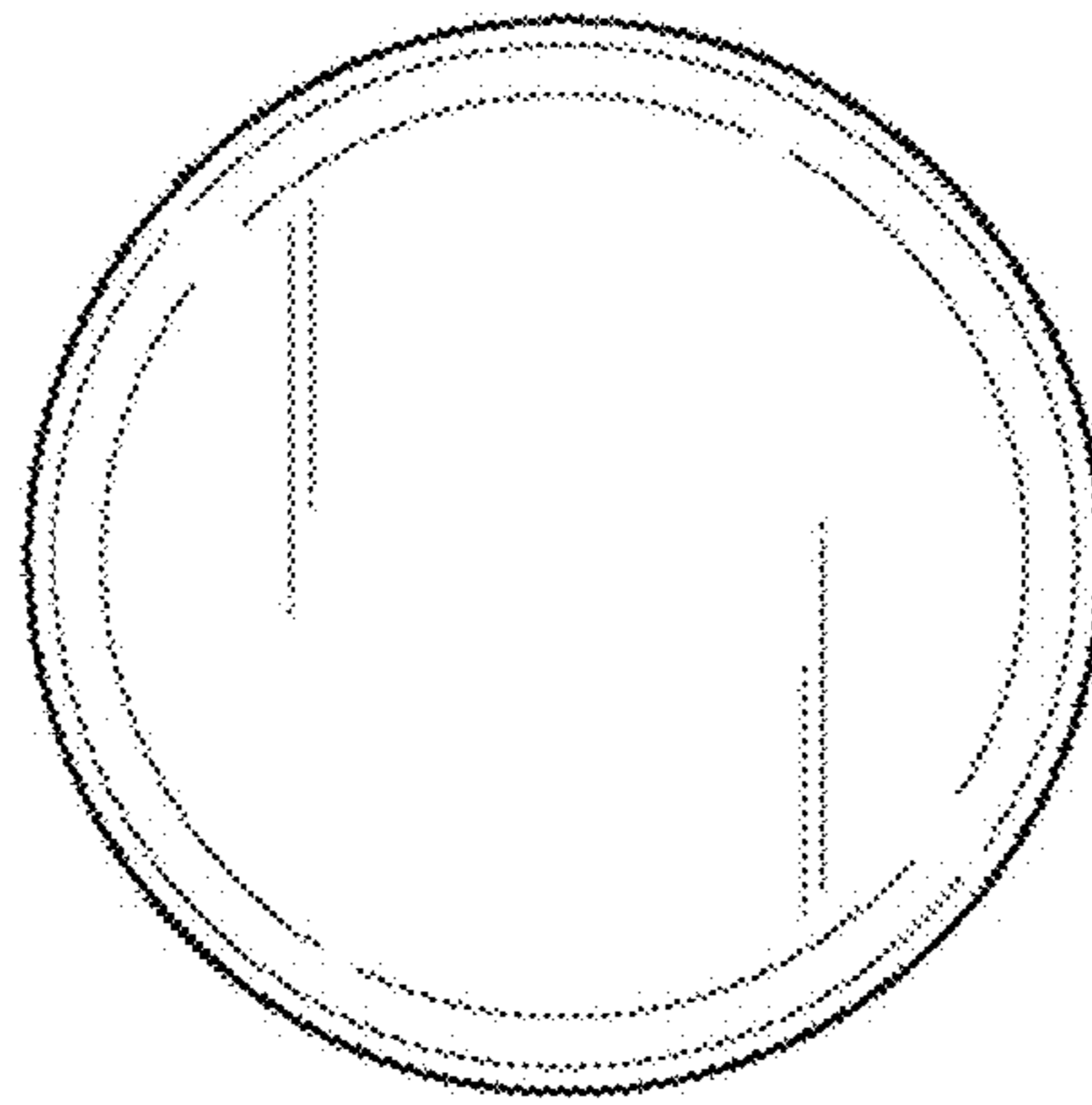
1.4



1.5

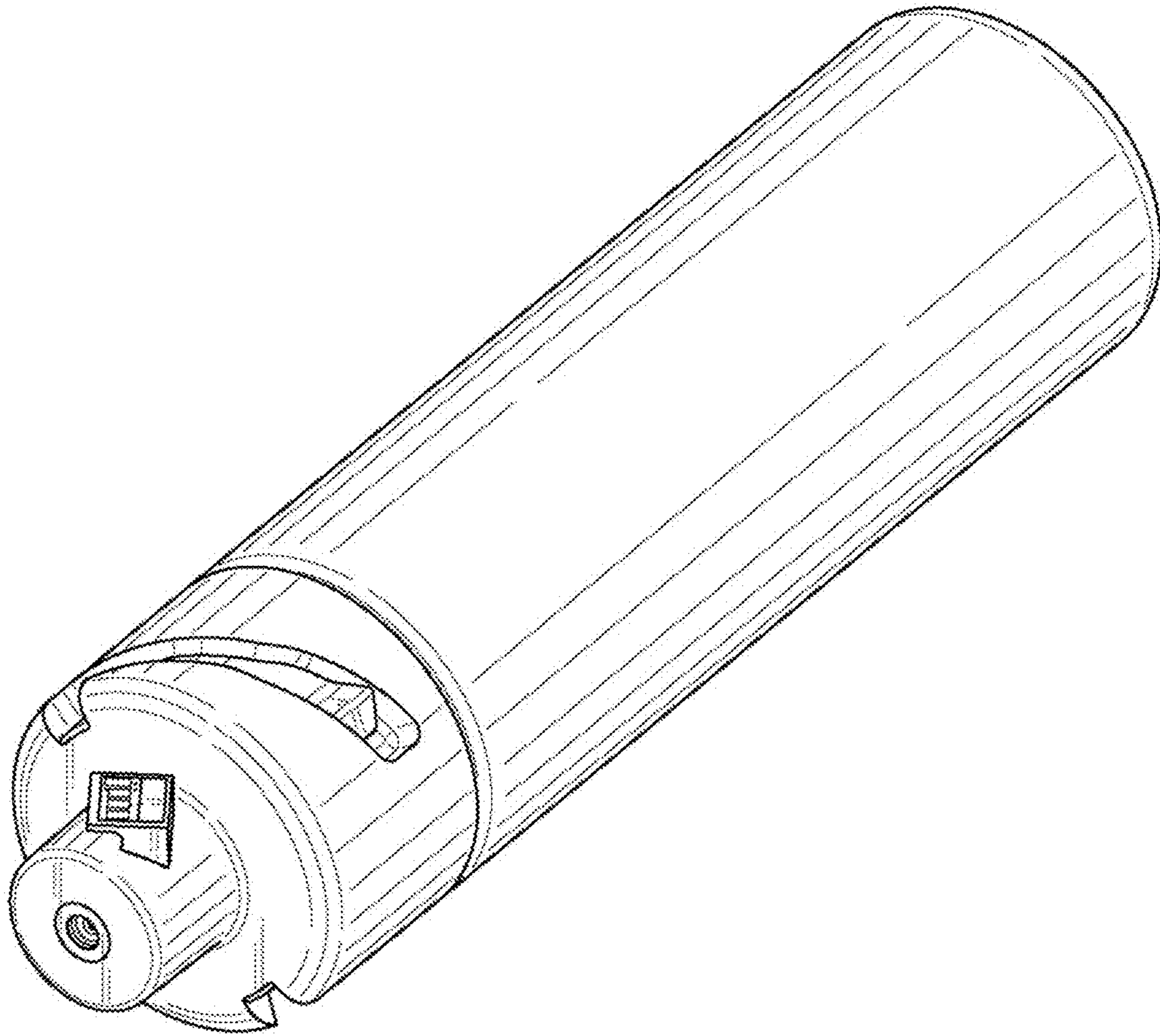


1.6

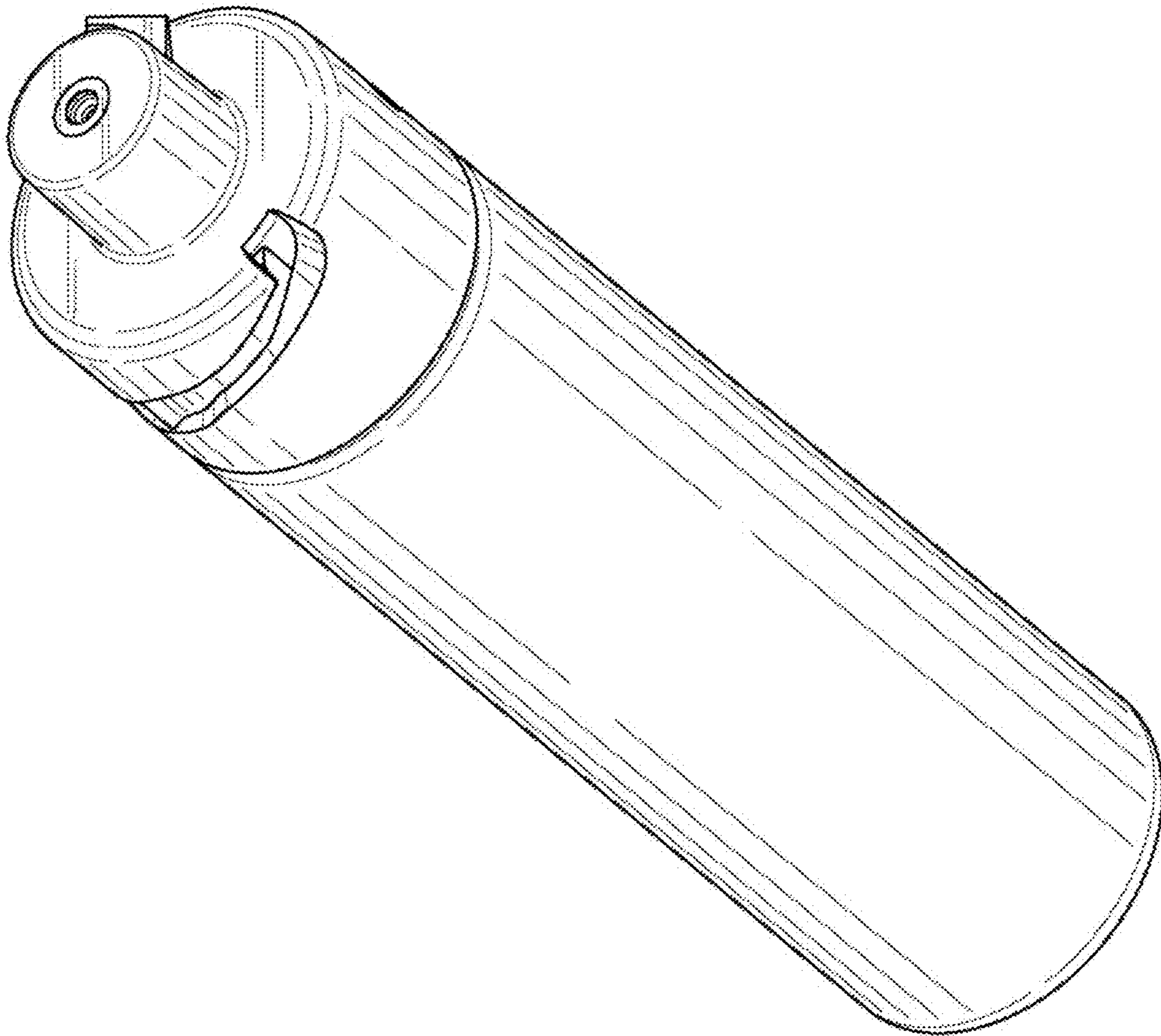




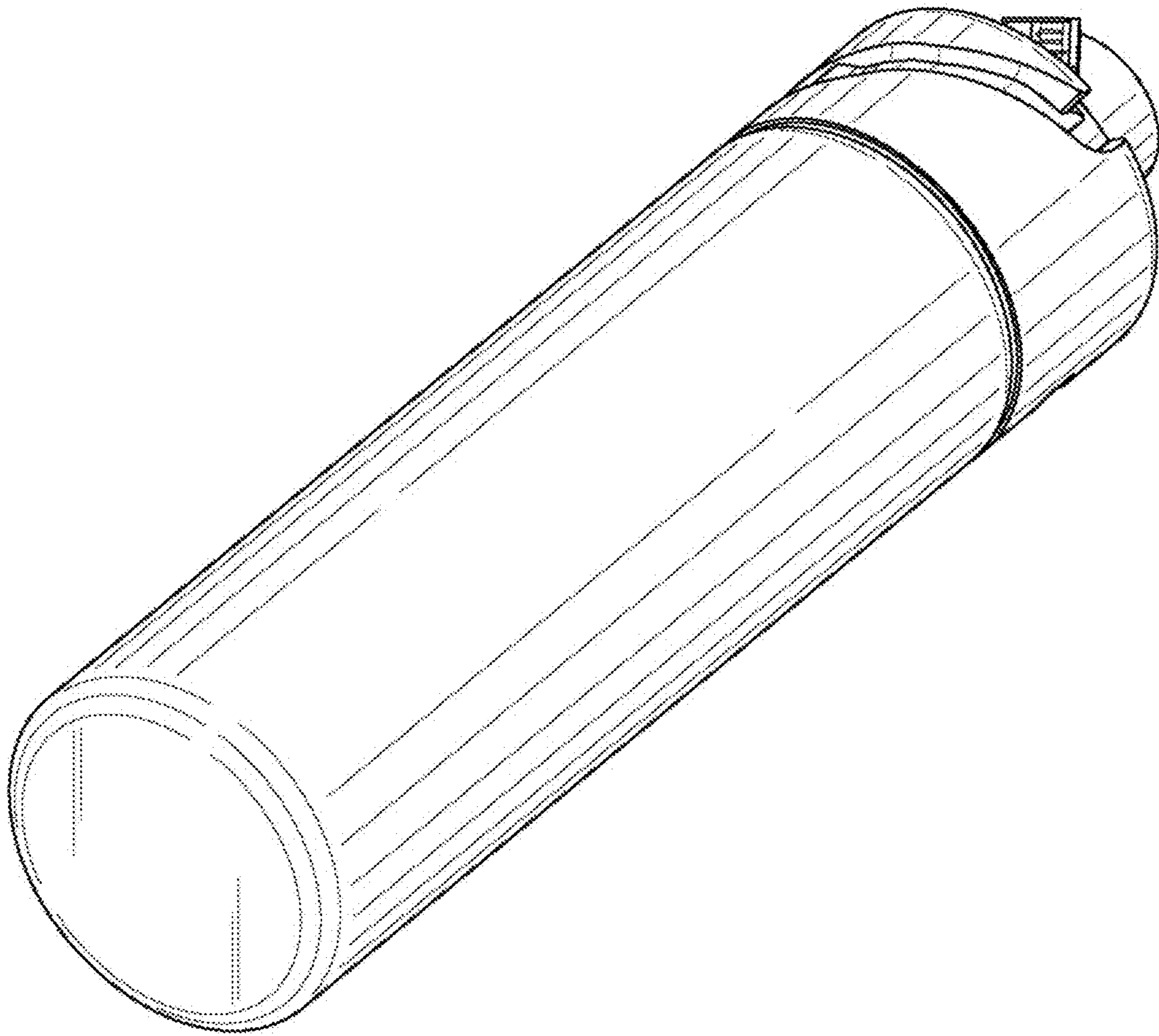
1.7



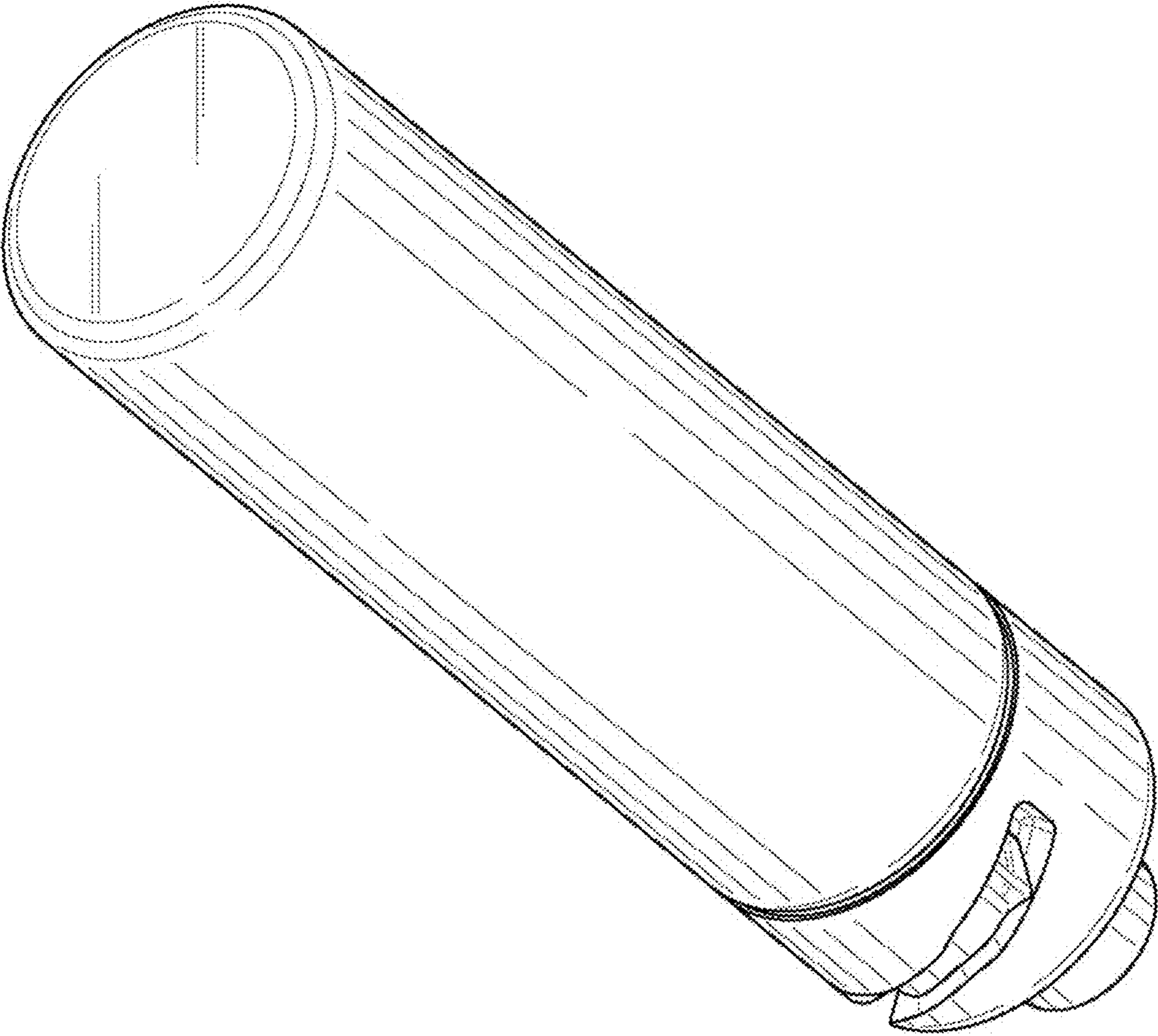
1.8



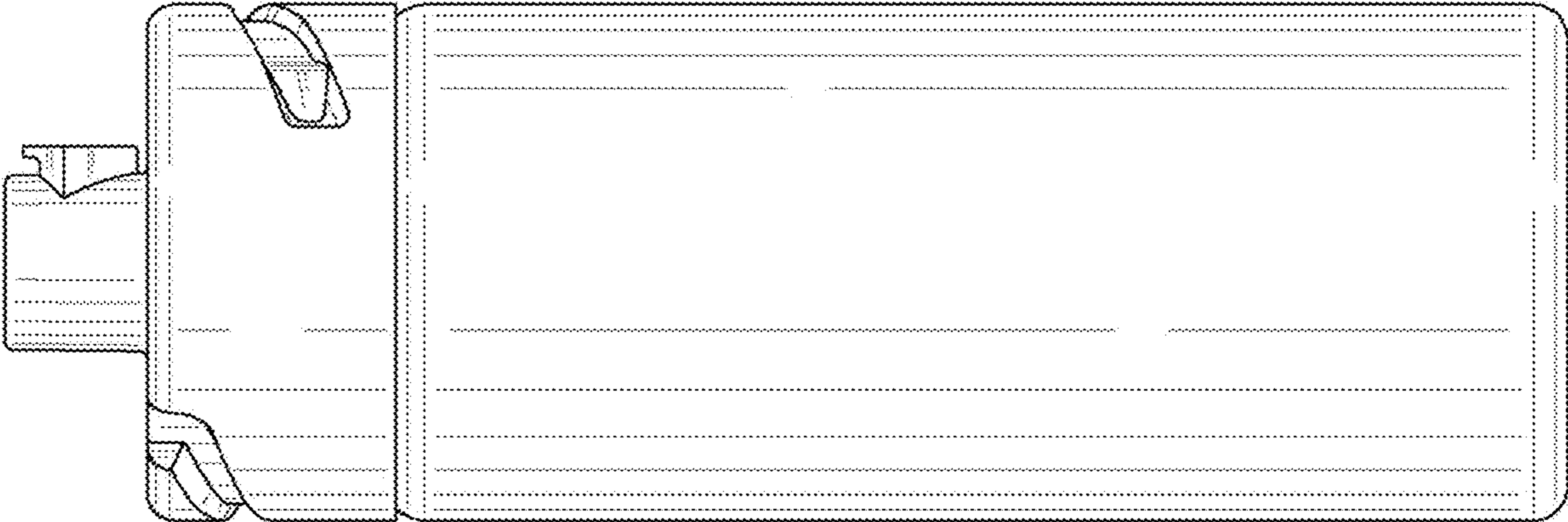
1.9



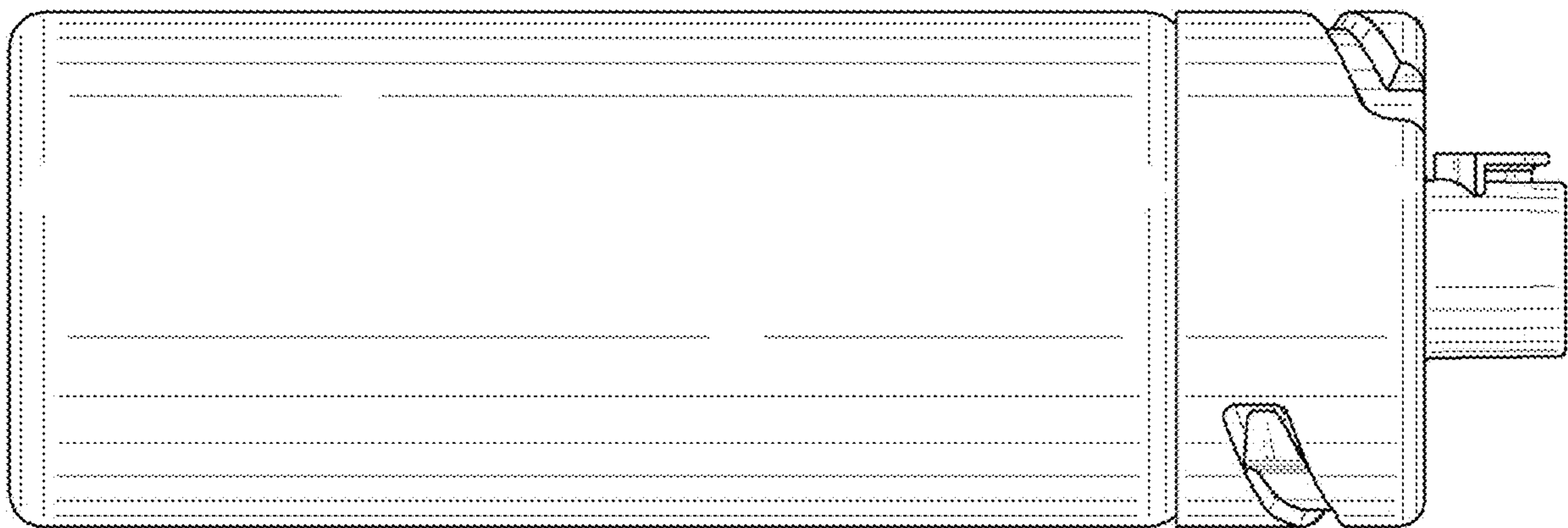
1.10



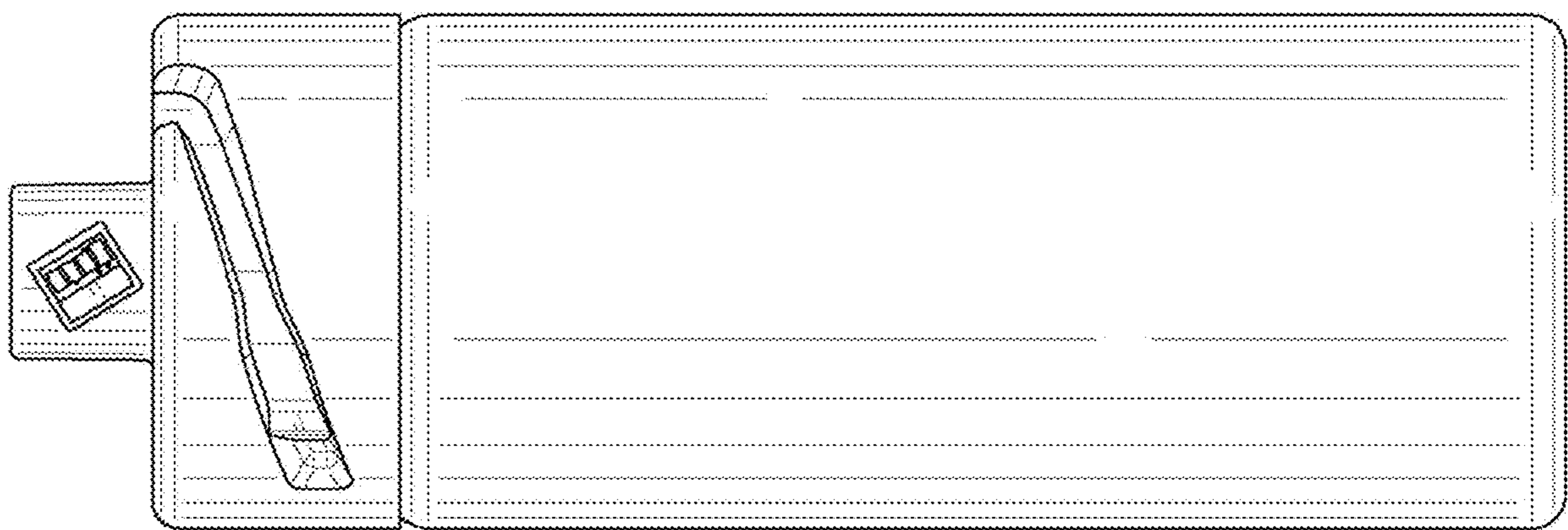
2.1



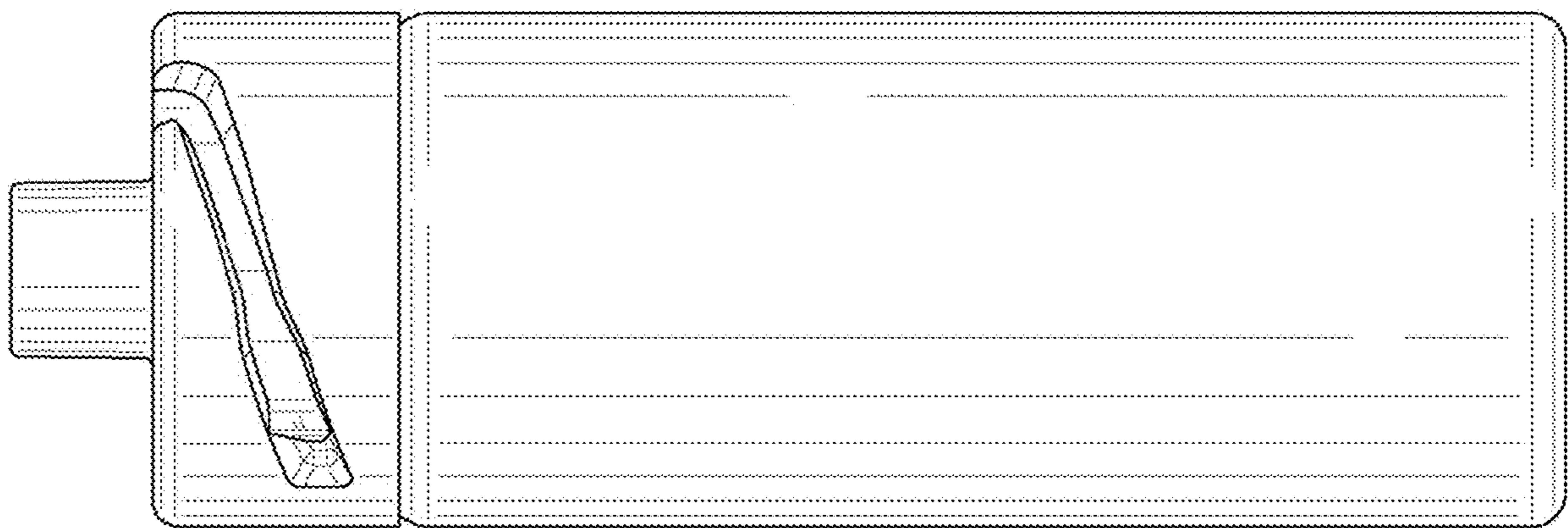
2.2



2.3

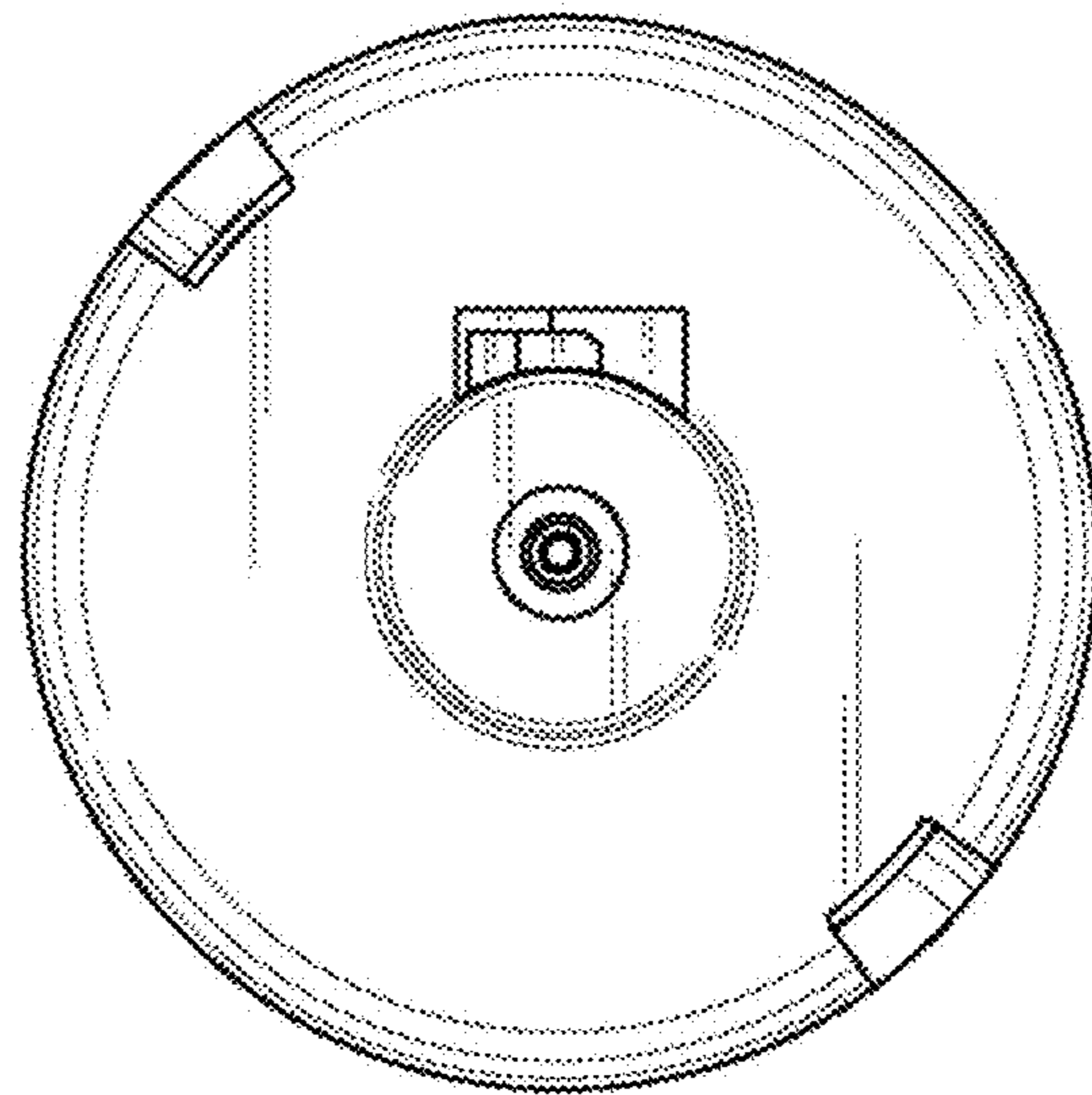


2.4

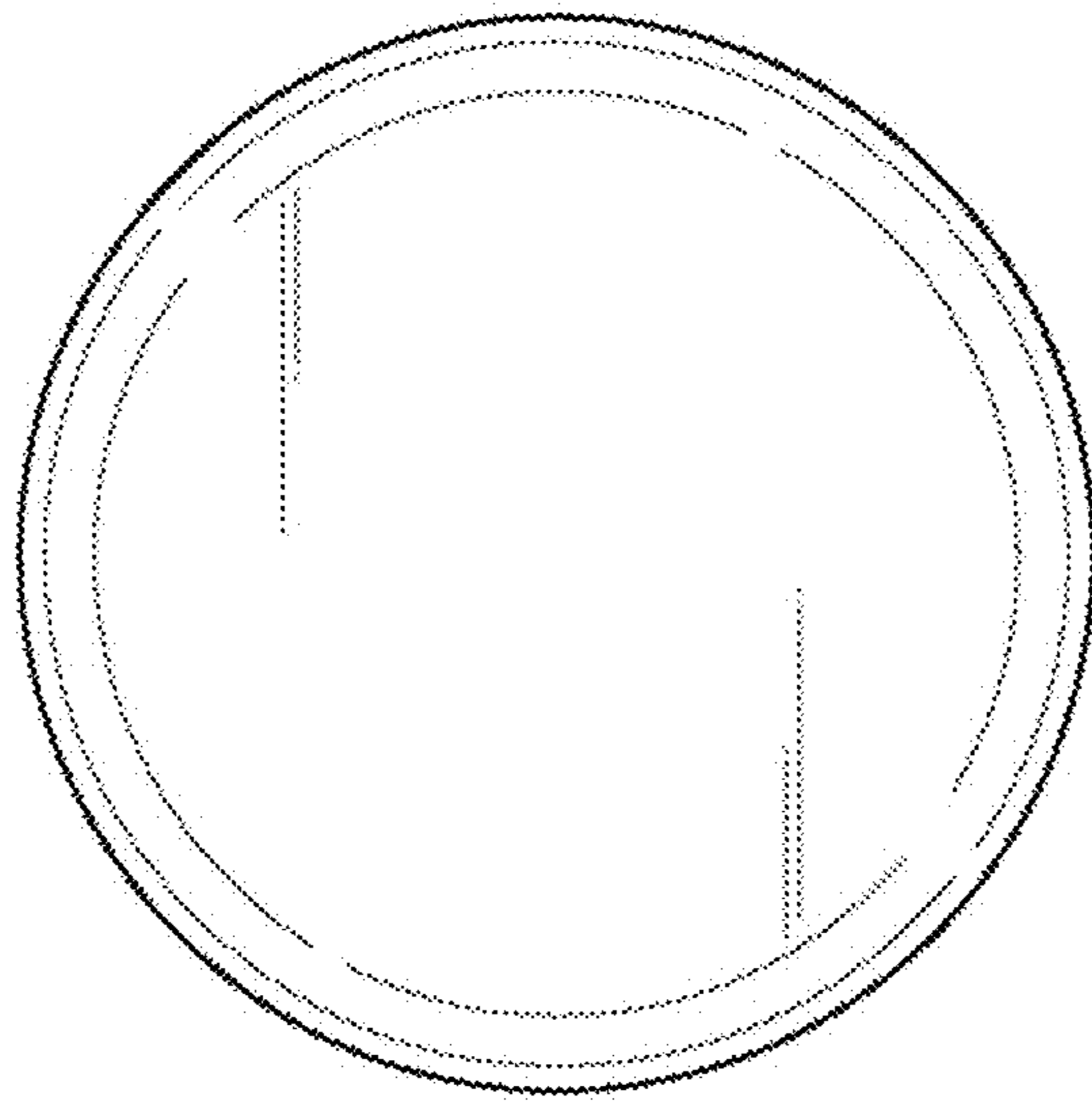




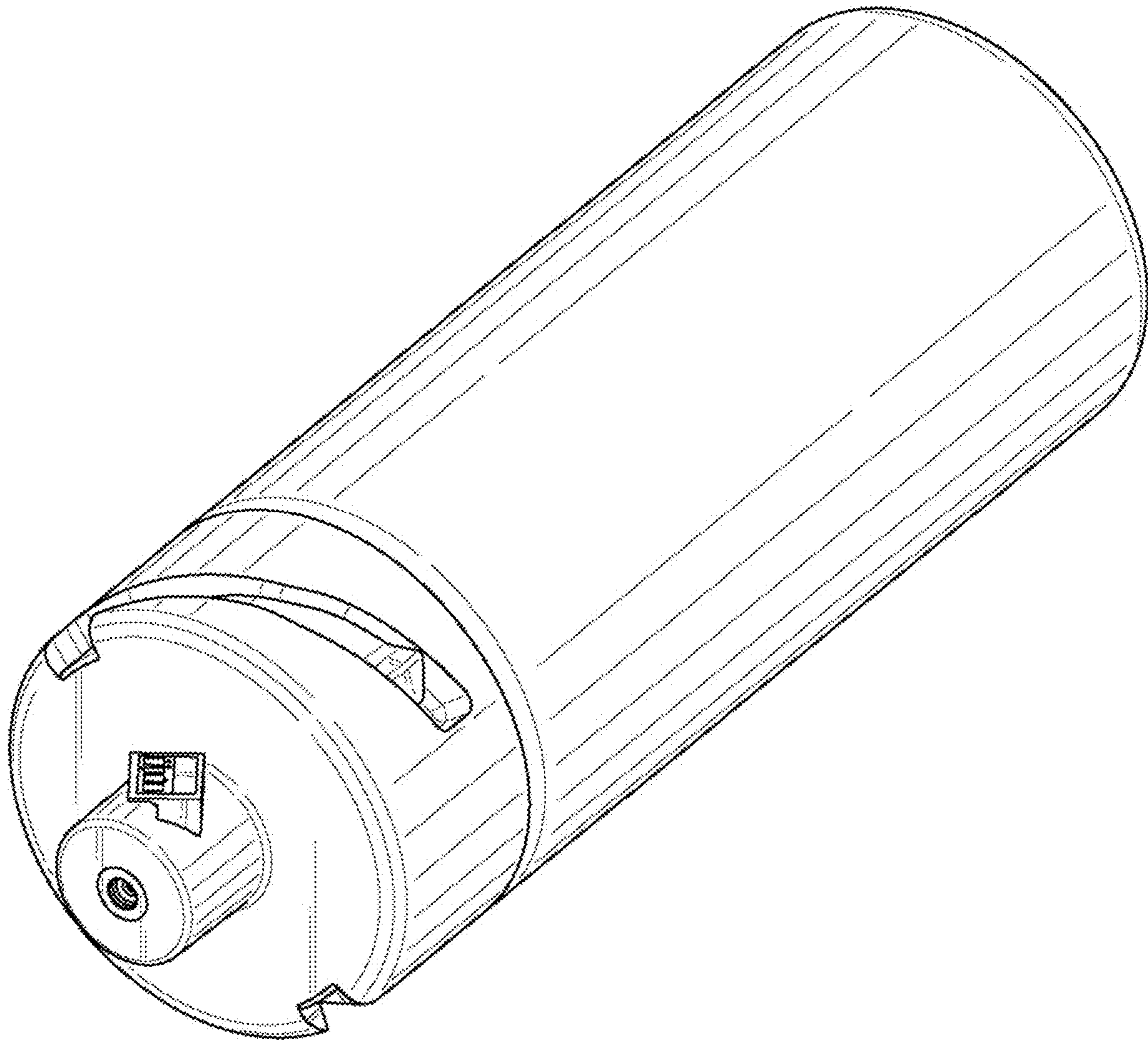
2.5



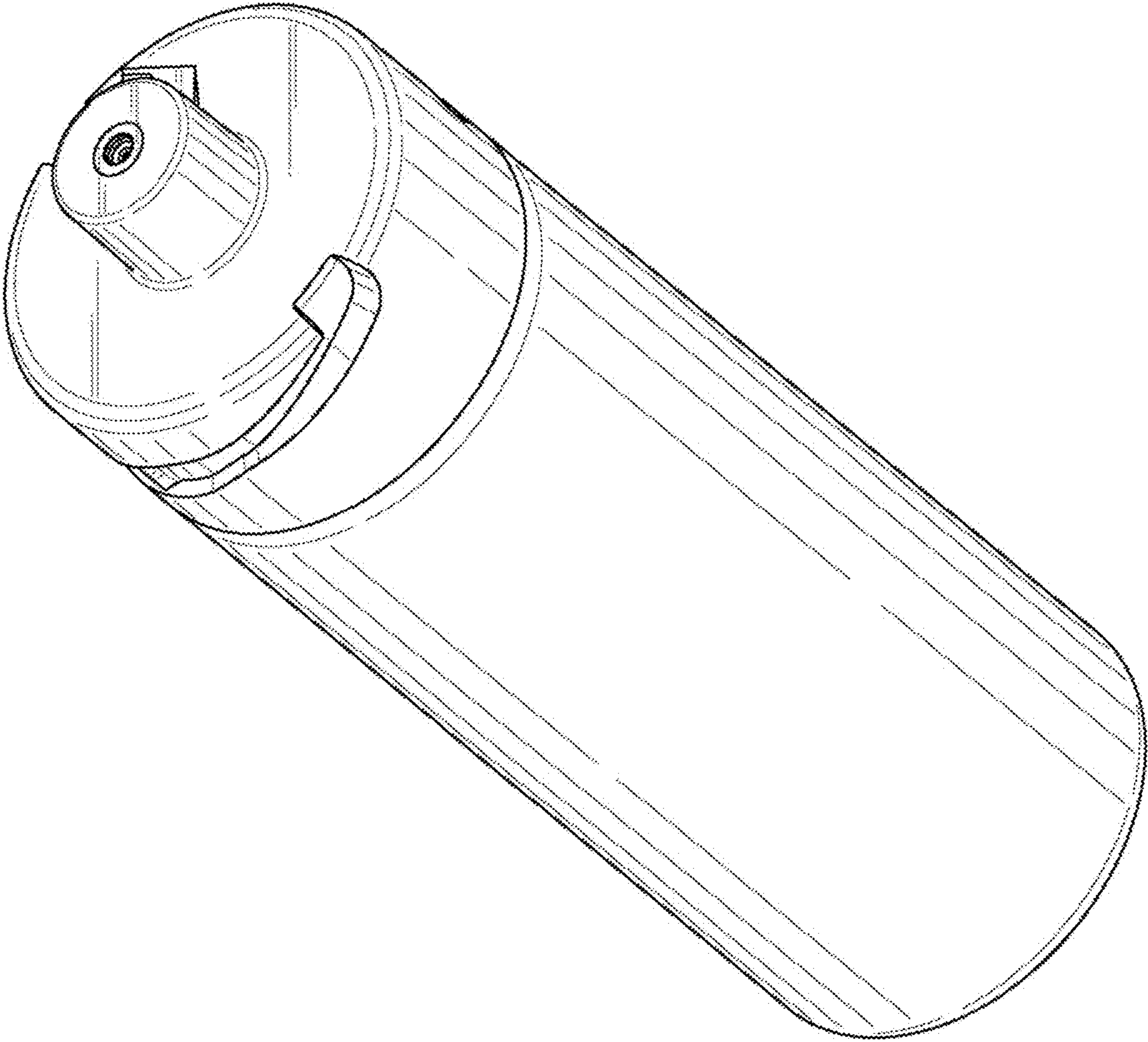
2.6



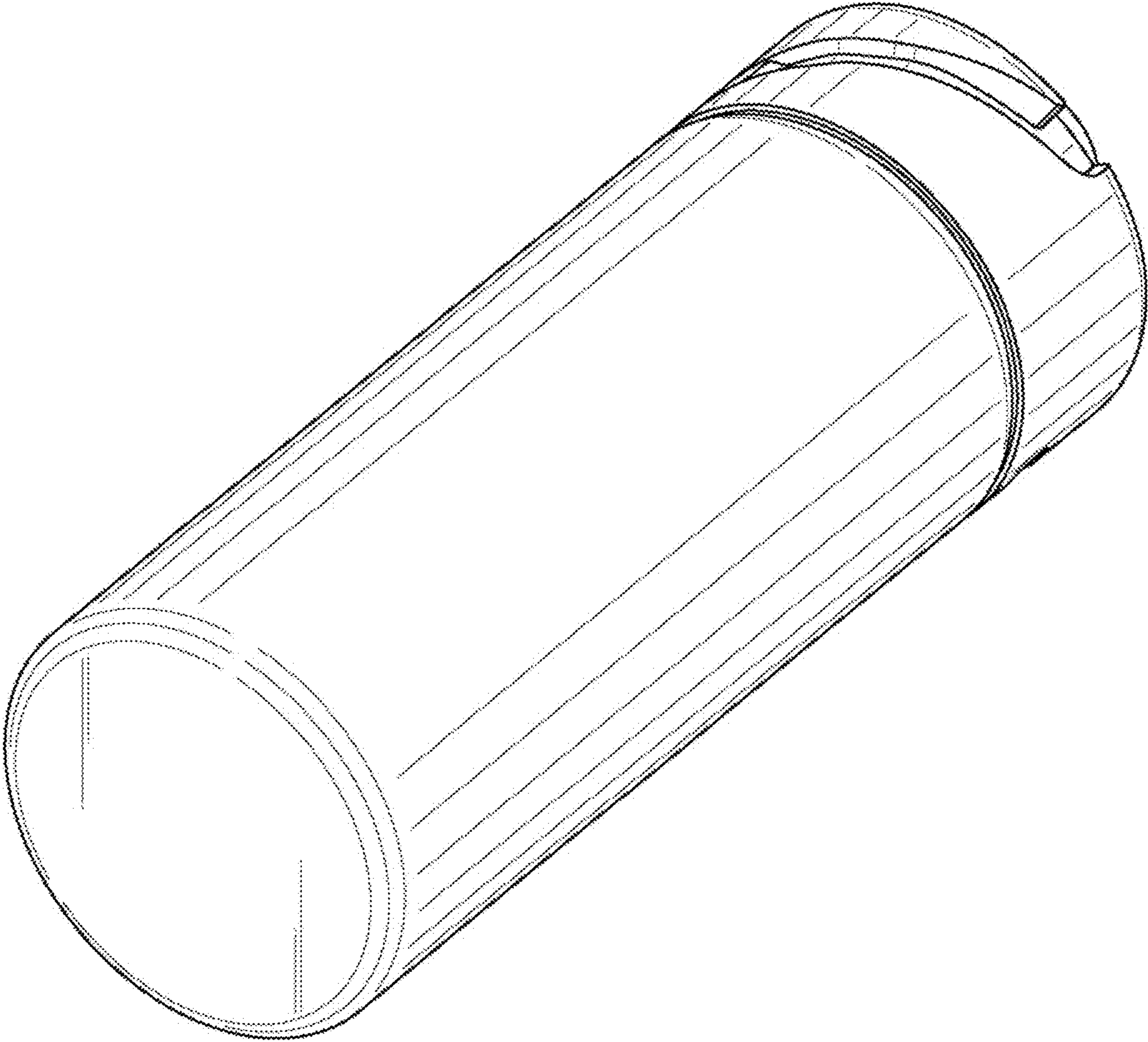
2.7



2.8



2.9



2.10

