



US00D899512S

(12) **United States Design Patent**
Kida et al.

(10) **Patent No.:** **US D899,512 S**
(45) **Date of Patent:** **** Oct. 20, 2020**

(54) **STAMP**

(71) Applicant: **Shachihata Inc.**, Nagoya-shi, Aichi (JP)

(72) Inventors: **Masaki Kida**, Tokyo (JP); **Motohide Imaizumi**, Tokyo (JP)

(73) Assignee: **Shachihata Inc.**, Nagoya-shi (JP)

(**) Term: **15 Years**

(21) Appl. No.: **29/701,916**

(22) Filed: **Aug. 15, 2019**

(30) **Foreign Application Priority Data**

Feb. 20, 2019 (JP) 2019-003415

Jul. 25, 2019 (JP) 2019-016644

(51) **LOC (12) Cl.** **19-02**

(52) **U.S. Cl.**
USPC **D18/15**

(58) **Field of Classification Search**

USPC D18/15, 16, 17, 18, 14, 19, 50;
D19/65-68, 70, 71

CPC . B41J 2/1752; B41J 3/36; B41J 29/023; B41J
2/17526; B41J 3/28; B41K 1/00; B41K
1/38; B41K 1/006; B41K 1/02; B41K
1/08; B41K 1/40; B41K 1/42; B41K
1/52; B41K 1/54; B41K 1/56; B41K
1/36; B23K 26/00; B23K 26/10; B41C
3/04; B41D 7/00

See application file for complete search history.

(56) **References Cited**

U.S. PATENT DOCUMENTS

D376,383 S * 12/1996 Harden 101/327
D385,905 S * 11/1997 Harden D18/15
D412,181 S * 7/1999 Harden D18/15
D427,233 S * 6/2000 Faber D18/15
D430,891 S * 9/2000 Faber D18/15

(Continued)

FOREIGN PATENT DOCUMENTS

JP 0946405-1 S 2/1996
JP 0946405 S 2/1996

(Continued)

OTHER PUBLICATIONS

Amazon. Link: <https://www.amazon.com/SHACHIHATA-Posted-Inch-Stamp-Inches-XST1211/dp/B000061AQU>. Apr. 19, 2006. Shachihata Inc Posted-Inch Ink Stamp. (Year: 2006).*

(Continued)

Primary Examiner — Lauren D McVey

(74) *Attorney, Agent, or Firm* — Westerman, Hattori, Daniels & Adrian, LLP

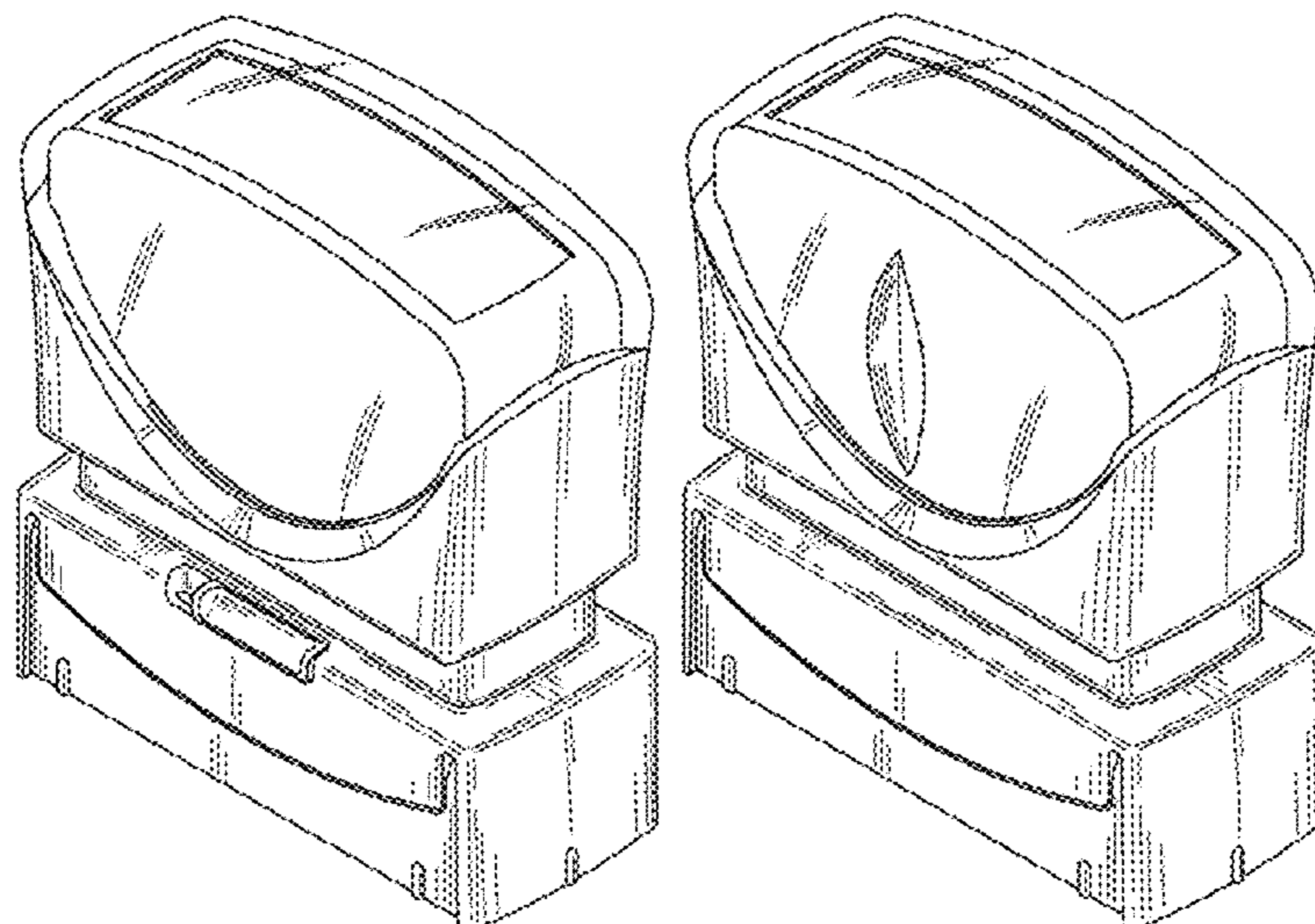
(57) **CLAIM**

The ornamental design for a stamp, as shown and described.

DESCRIPTION

FIG. 1 is an upper-right front perspective view of a stamp, showing our new design;
FIG. 2 is an upper-left rear perspective view thereof;
FIG. 3 is a front elevation view thereof;
FIG. 4 is a rear elevation view thereof;
FIG. 5 is a right side elevation view thereof;
FIG. 6 is a left side elevation view thereof;
FIG. 7 is a top plan view thereof;
FIG. 8 is a bottom plan view thereof;
FIG. 9 is a cross-sectional view thereof, taken in the direction of line along lines 9-9 in FIG. 3; and,
FIG. 10 is cross-sectional view thereof, taken in the direction of line along lines 10-10 in FIG. 7.
The broken lines in the drawings illustrate portions of the stamp that form no part of the claimed design.

1 Claim, 4 Drawing Sheets



(56)

References Cited

U.S. PATENT DOCUMENTS

6,189,450	B1 *	2/2001	Shih	B41K 1/52 101/125
D507,294	S *	7/2005	Kida	D18/15
D507,807	S *	7/2005	Kida	D18/15
D508,257	S *	8/2005	Kida	D18/15
D508,521	S *	8/2005	Kida	D18/15
D607,489	S *	1/2010	Kida	D18/15
D802,654	S *	11/2017	Kida	D18/15
D802,655	S *	11/2017	Kida	D18/15

FOREIGN PATENT DOCUMENTS

JP	0946405-2	S	11/1997
JP	0946405-3	S	11/1997
JP	1221605	S	11/2004
JP	1221870	S	11/2004
JP	D1362525		6/2009
JP	D1639883	*	8/2019

OTHER PUBLICATIONS

Amazon. Link: https://www.amazon.com/dp/B0058TXCCG/ref=psdc_12900891_t5_B00007JQPK. Jul. 8, 2011. ACCU-STAMP2 Message Stamp with Shutter. (Year: 2011).*

Amazon. Link: https://www.amazon.com/dp/B07KCJYBW6/ref=cm_sw_r_tw_dp_U_x_Yt0hEbN9G2765. Nov. 9, 2018. MasterMark Premium Pre-Inked Office Stamp MasterMark. (Year: 2018).*

World Photo Press Co., Ltd, "Mono Magazine," No. 30, vol. 5, p. 124, received by the JPO on Mar. 4, 2011, Japan Patent Office's reference No. HA23000756. (1 page).

Shachihata Inc., "2001 The Catalog, Shachihata General Catalog," p. 37, received by the JPO on Mar. 30, 2001, Japan Patent Office's reference No. HN13001062. (2 pages).

W. W. Grainger, Inc., "Stamp, Microban, Completed Legend, Red," <http://www.grainger.com/Grainger/items/4XRH3?Pid=search>, retrieved on May 24, 2010, Japan Patent Office's reference No. HJ22010052. (1 page).

* cited by examiner

FIG.1

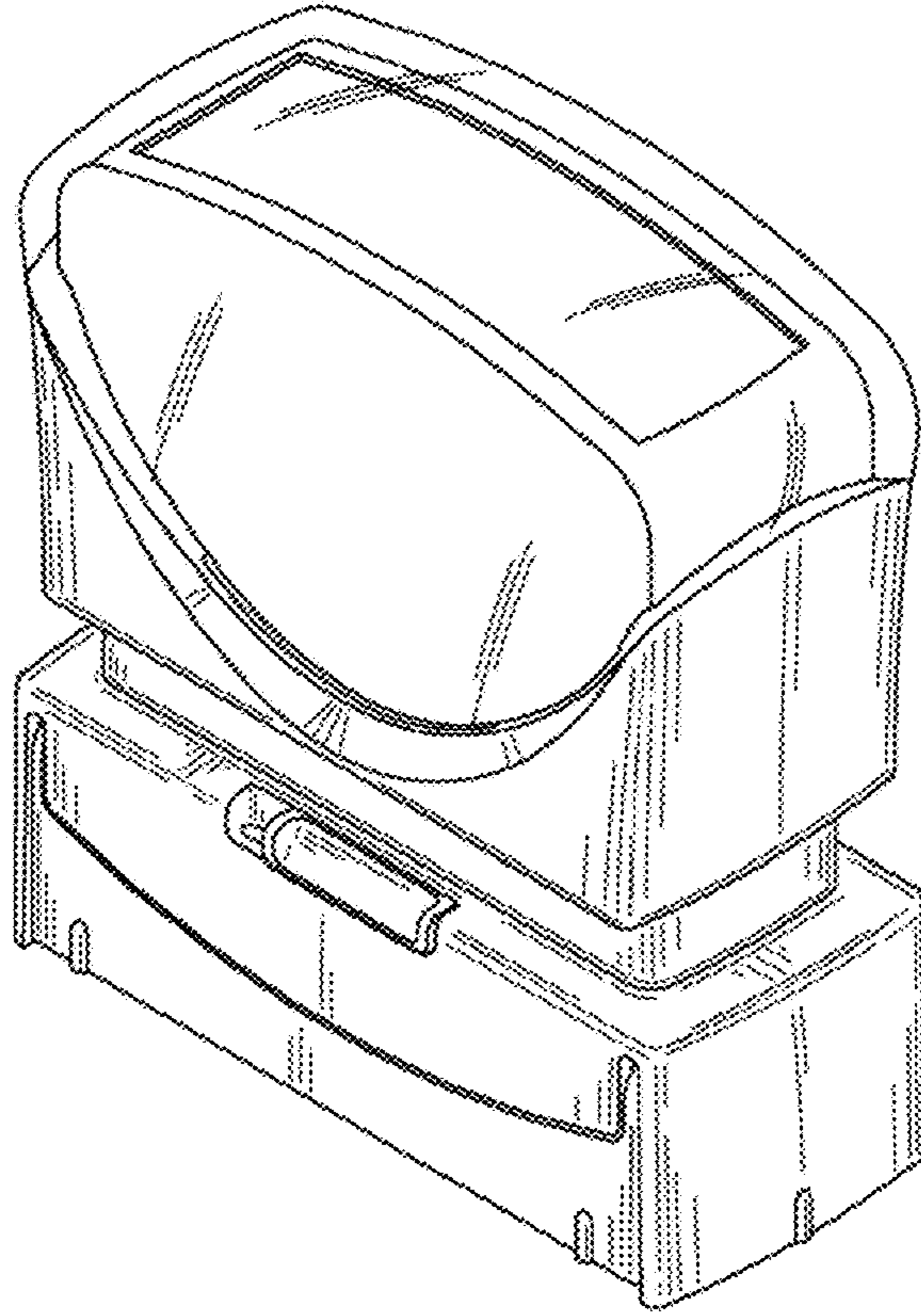


FIG.2

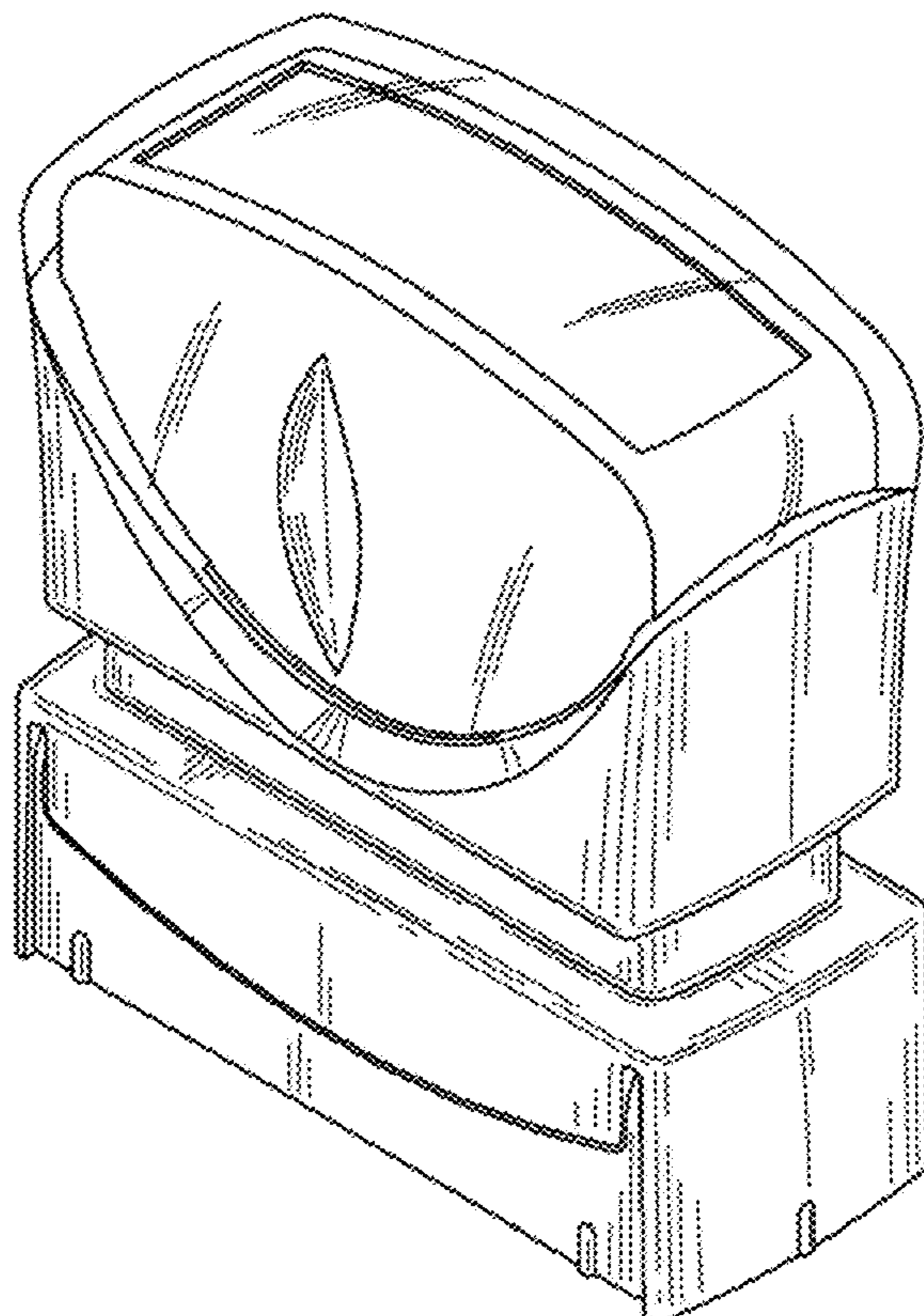


FIG.3

→10

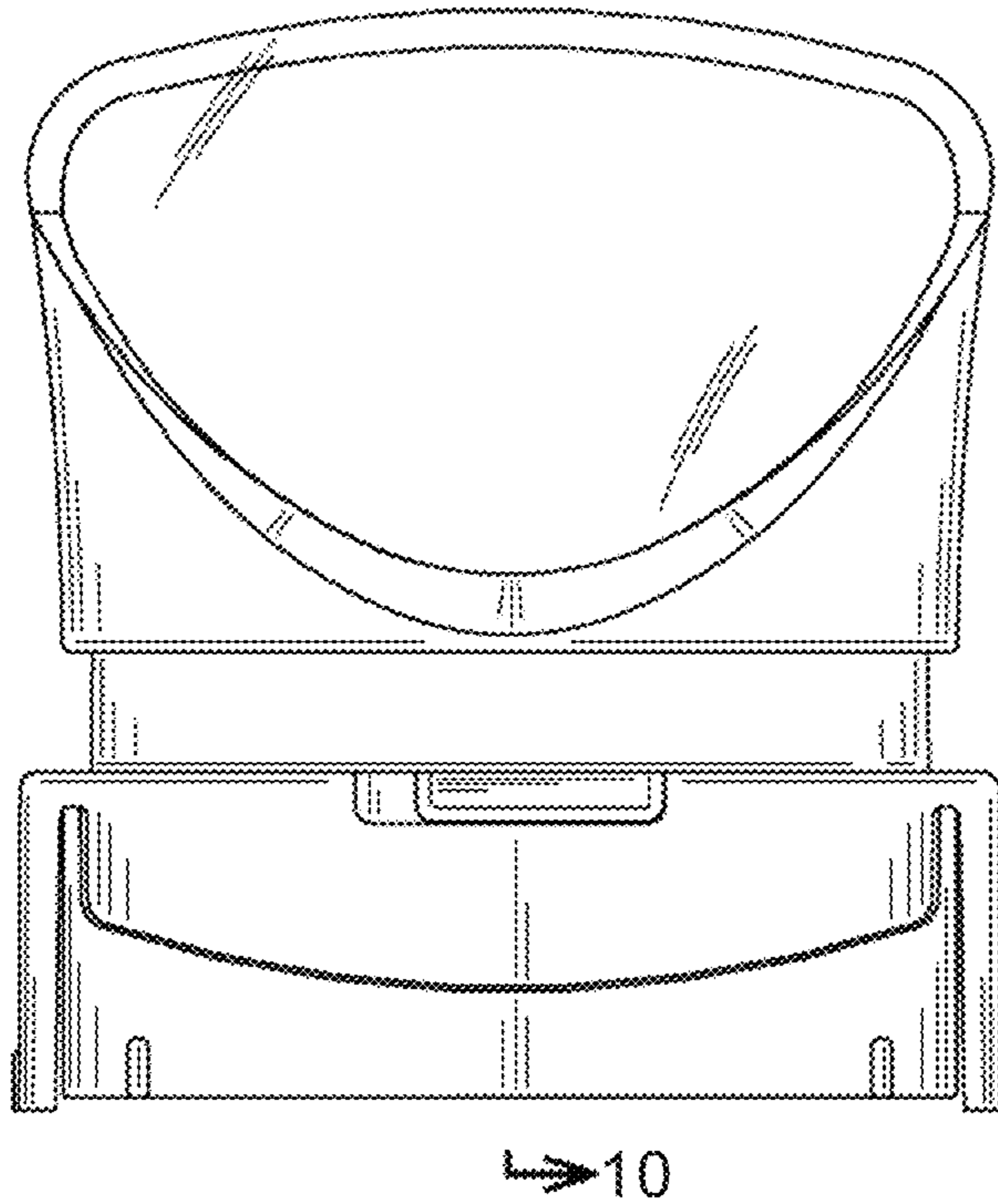


FIG.4

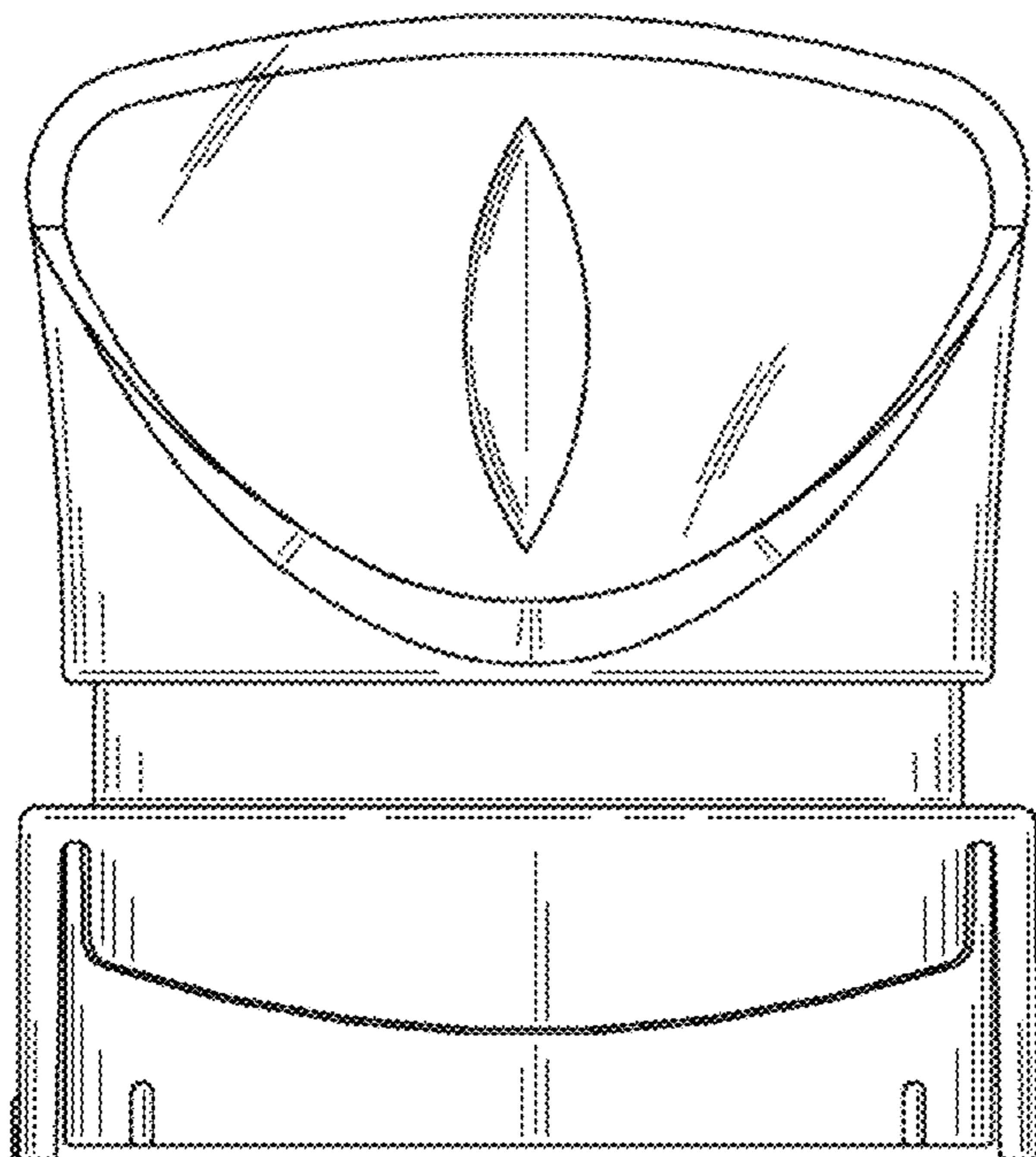


FIG.5

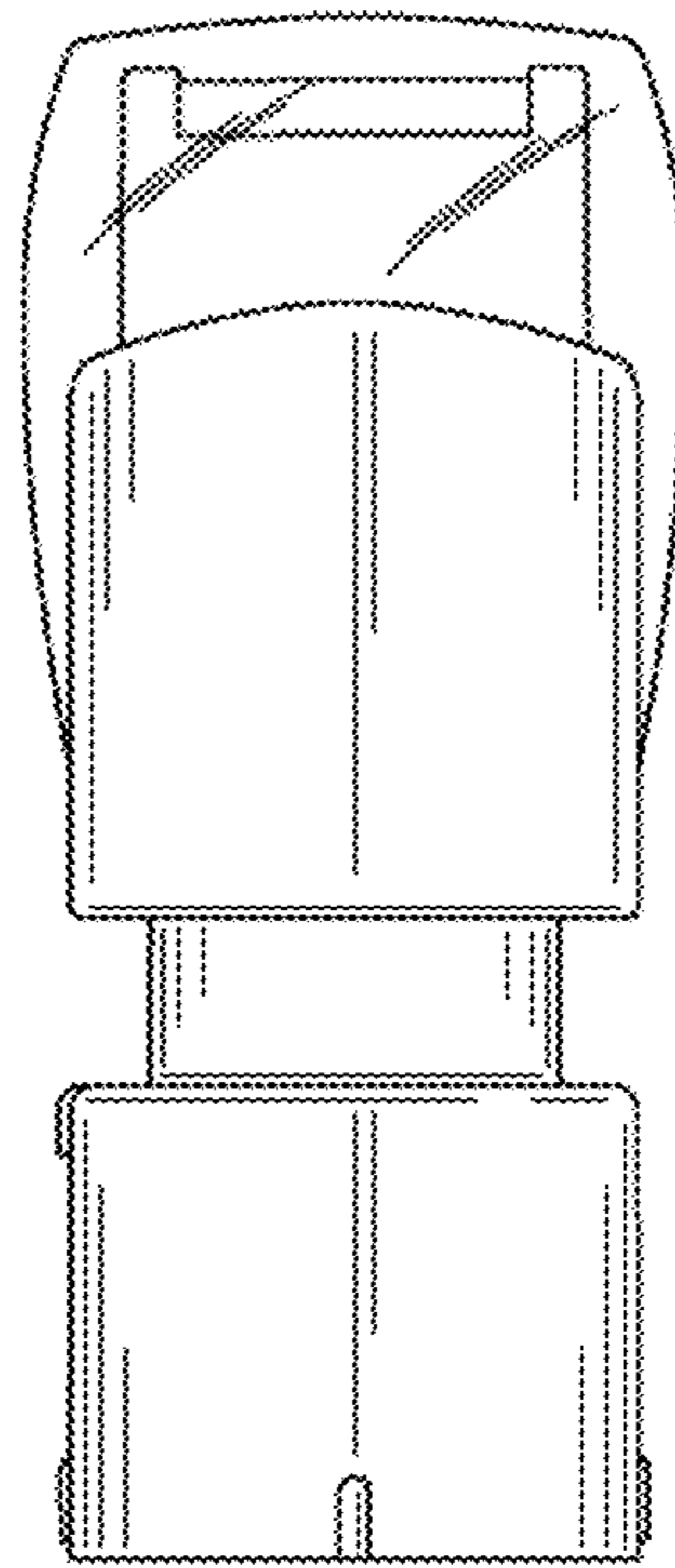


FIG.6

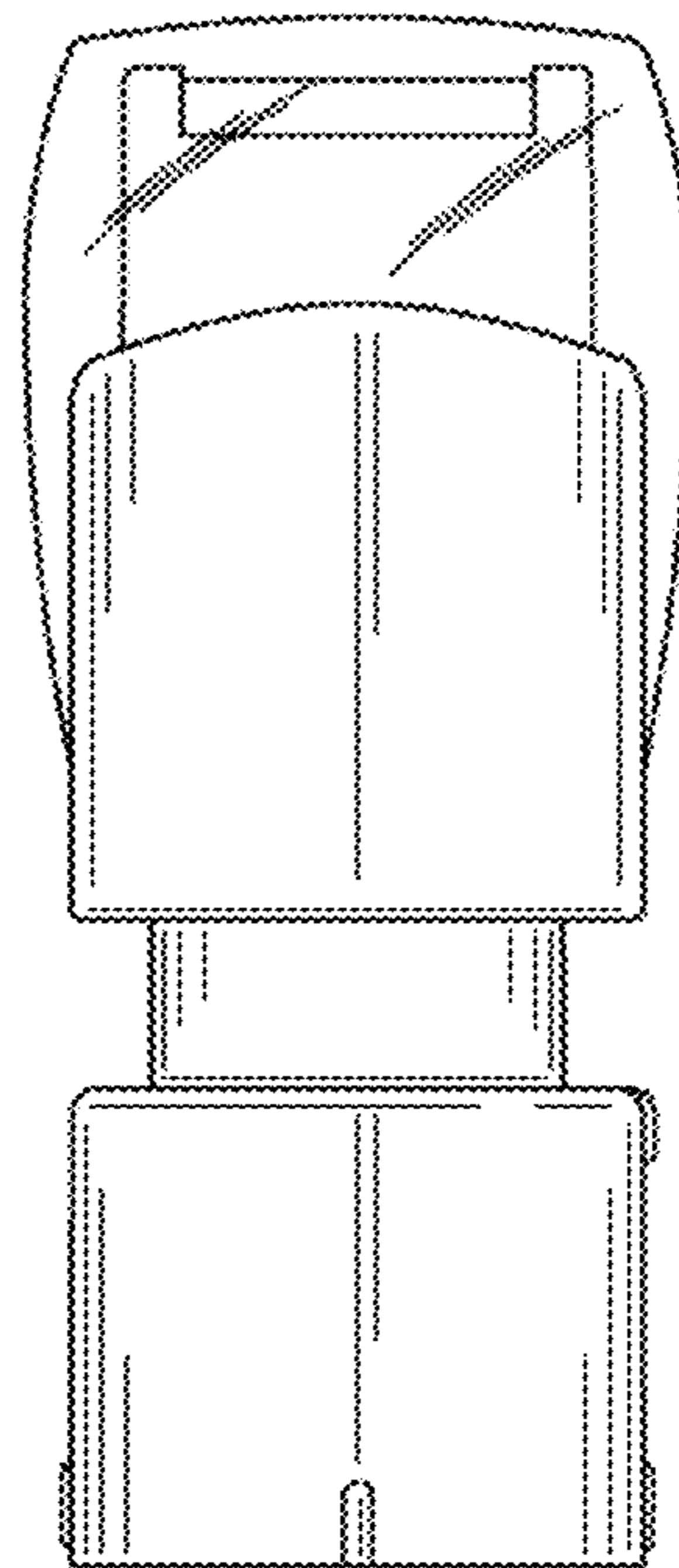


FIG.7

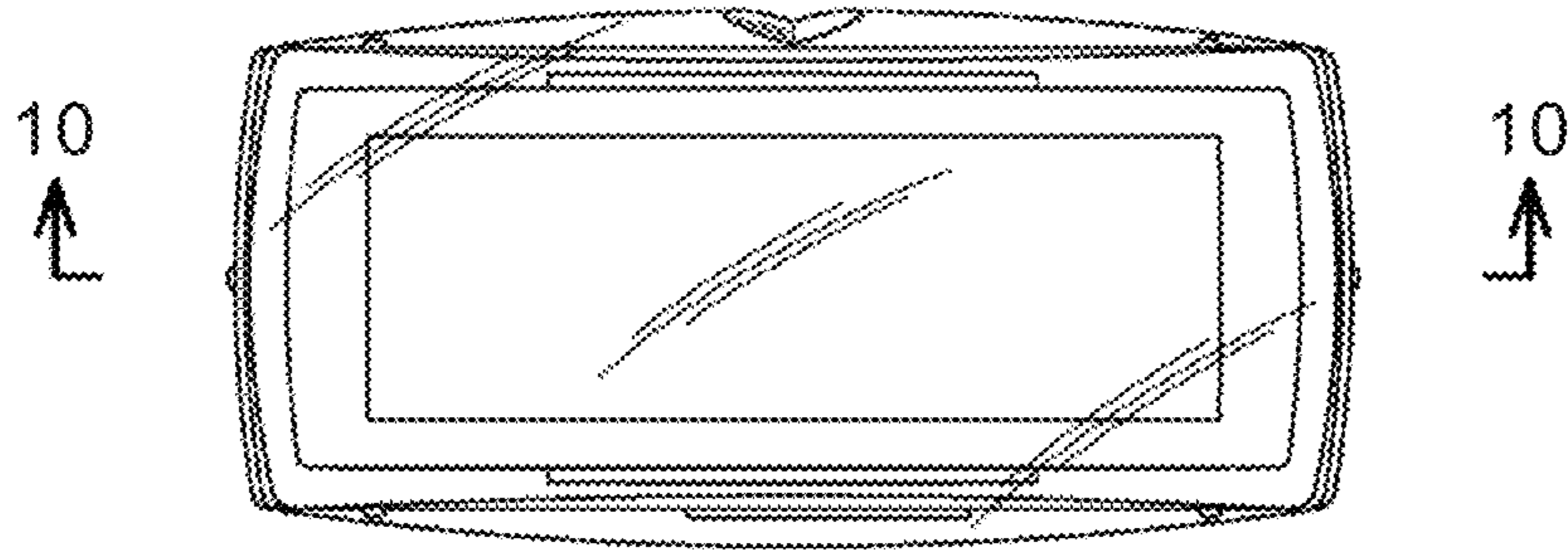


FIG.8

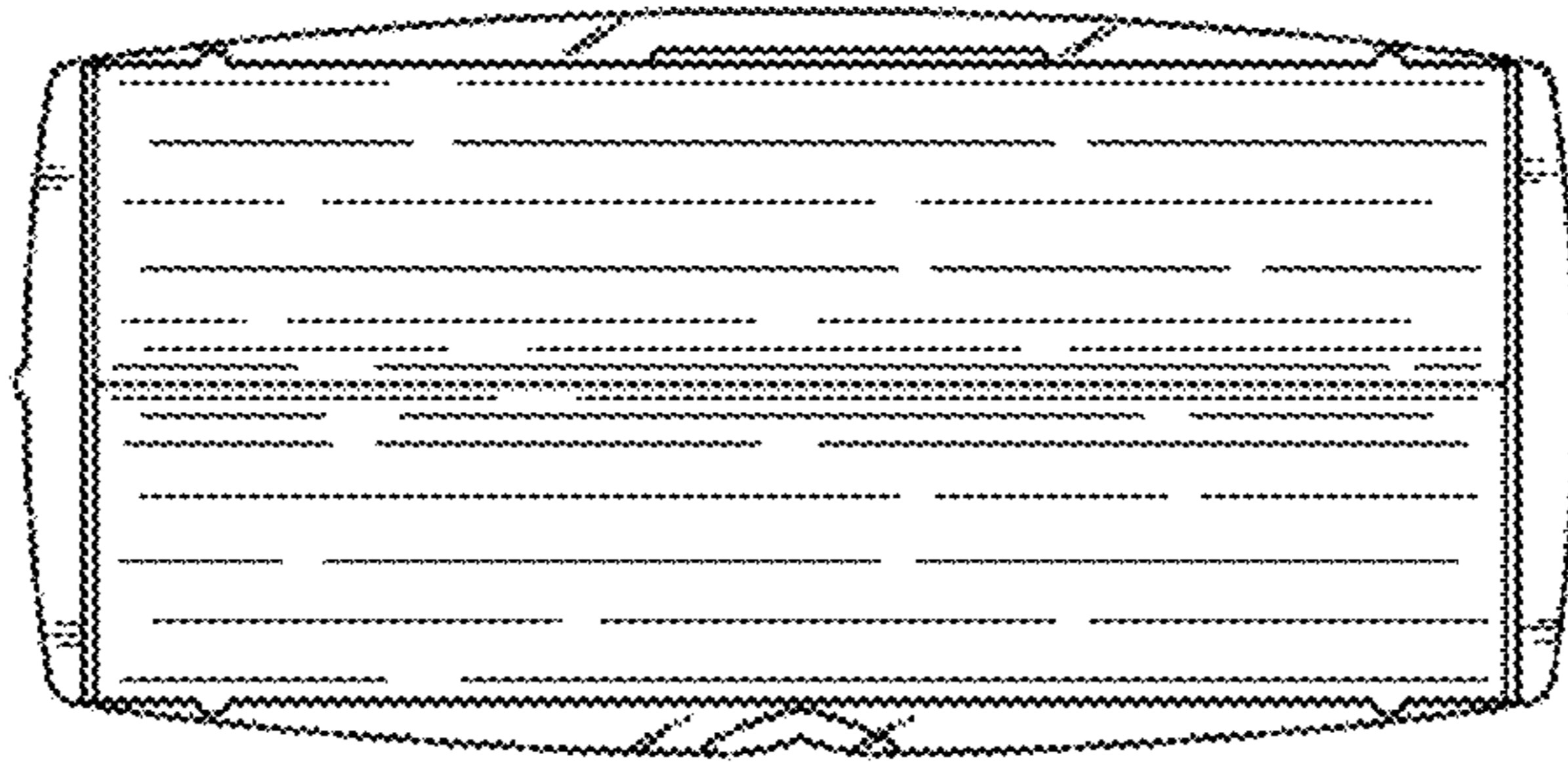


FIG.9

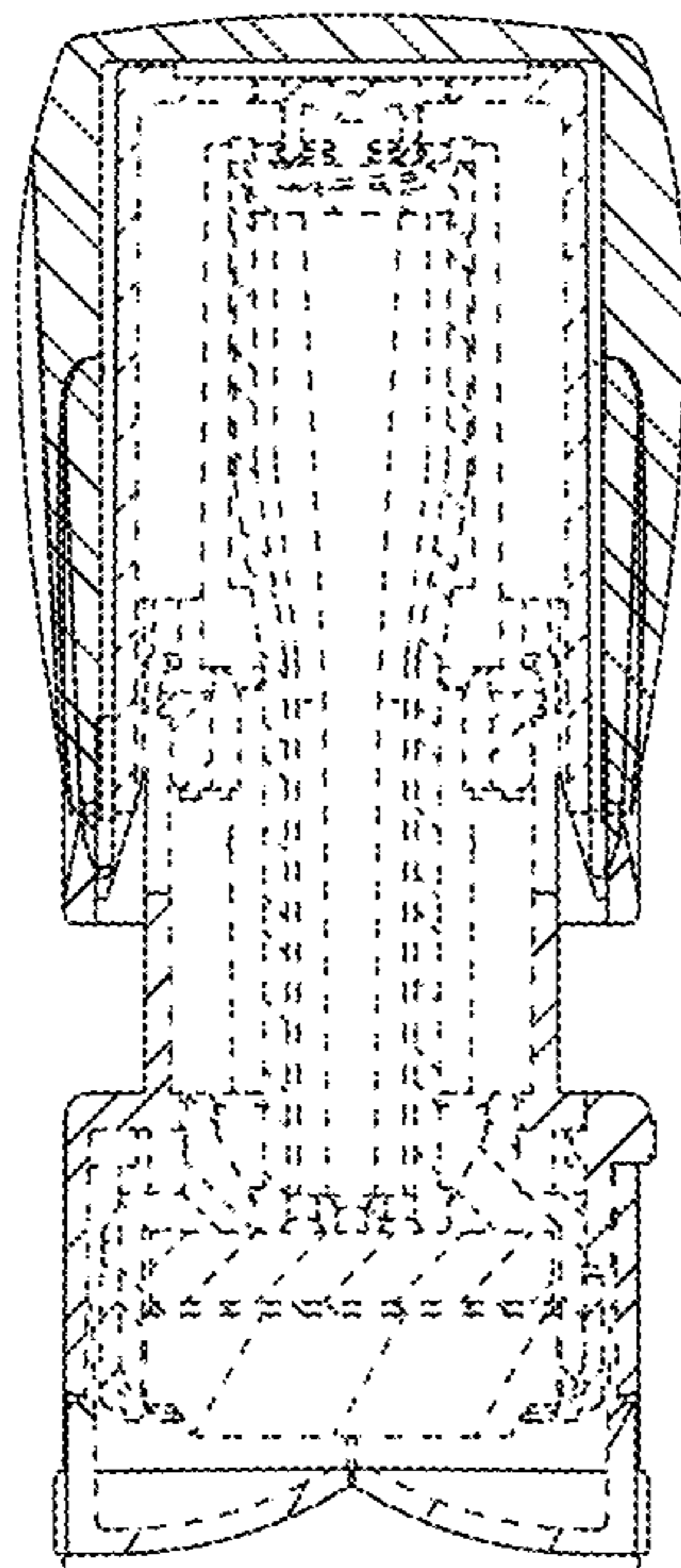


FIG.10

