



US00D899509S

(12) **United States Design Patent** (10) **Patent No.:** **US D899,509 S**
Guglielmino et al. (45) **Date of Patent:** **** Oct. 20, 2020**

- (54) **TEMPLE TIP OF EYEGLASSES**
- (71) Applicant: **Lud'ò S.R.L.**, Fermo (IT)
- (72) Inventors: **Cristina Guglielmino**, Porto San Giorgio (IT); **Federico Vitali**, Port San Giorgio (IT)
- (73) Assignee: **LUD'Ò S.R.L.**, Fermo (IT)
- (**) Term: **15 Years**
- (21) Appl. No.: **29/667,824**
- (22) Filed: **Oct. 25, 2018**

D417,883 S *	12/1999	Arnette	D16/321
D466,545 S *	12/2002	Jamin	D16/325
D553,175 S *	10/2007	Lamy	D16/321
D581,444 S *	11/2008	Jannard	D16/314
D596,661 S *	7/2009	Gonzalez	D16/321
D608,818 S *	1/2010	Kindl	D16/330
D617,367 S *	6/2010	Gonzalez	D16/321
D644,261 S *	8/2011	Gonzalez	D16/321
D671,982 S *	12/2012	Fuchs	D16/315
D673,600 S *	1/2013	Fuchs	D16/315
D728,002 S *	4/2015	Uhm	D16/314
D747,761 S *	1/2016	Miera	D16/335
D767,014 S *	9/2016	Fuchs	D16/315
D785,078 S *	4/2017	Sallard	D16/335

* cited by examiner

Primary Examiner — Richard E Chilcot
(74) *Attorney, Agent, or Firm* — Mark Malek; Widerman Malek, PL

Related U.S. Application Data

- (62) Division of application No. 35/503,668, filed on Jul. 10, 2017 (U.S. filing date under 35 U.S.C. 384), and having an international filing date of Jul. 10, 2017, now Pat. No. Des. 842,923.
- (51) **LOC (12) Cl.** **16-06**
- (52) **U.S. Cl.**
USPC **D16/335**; D16/338
CPC **G02C 5/14** (2013.01)
- (58) **Field of Classification Search**
USPC D16/101, 300–342, 900; D29/109, 110;
351/41–66, 92, 103–123, 140–143; 2/15,
2/426–449; D21/483, 659–661; D14/372
CPC G02C 2200/08; G02C 1/06; G02C 5/14;
G02C 5/16
See application file for complete search history.

(57) **CLAIM**

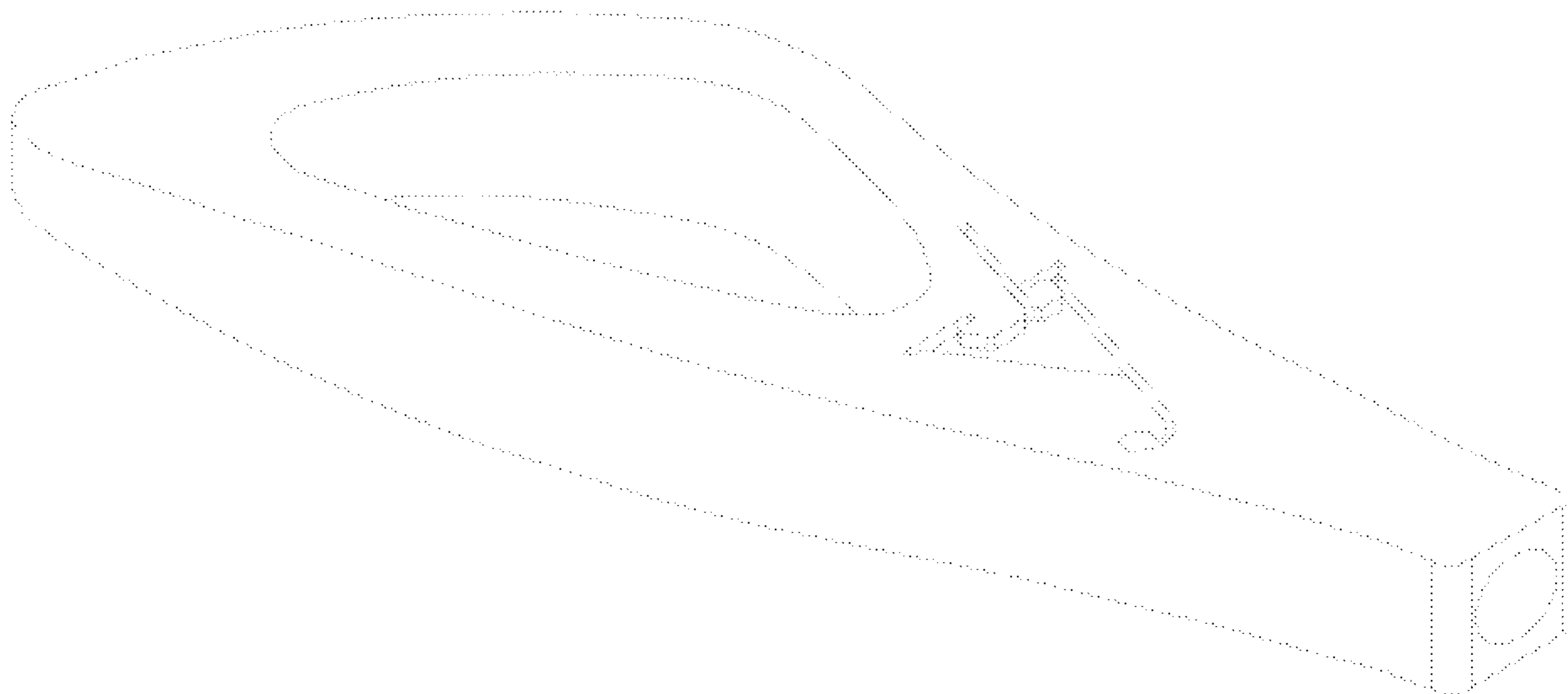
The ornamental design for a temple tip of eyeglasses, as shown and described.

DESCRIPTION

FIG. 1 is a front perspective view of a temple tip of eyeglasses according to the present invention.
 FIG. 2 is a side elevation view of the temple tip of eyeglasses illustrated in FIG. 1.
 FIG. 3 is another side elevation view of the temple tip of eyeglasses illustrated in FIG. 1.
 FIG. 4 is a top plan view of the temple tip of eyeglasses illustrated in FIG. 1.
 FIG. 5 is a bottom plan view of the temple tip of eyeglasses illustrated in FIG. 1.
 FIG. 6 is a front elevation view of the temple tip of eyeglasses illustrated in FIG. 1; and,
 FIG. 7 is a rear elevation view of the temple tip of eyeglasses illustrated in FIG. 1.

1 Claim, 7 Drawing Sheets

- (56) **References Cited**
U.S. PATENT DOCUMENTS
D333,478 S * 2/1993 Metcalfe D16/315
D334,583 S * 4/1993 Payton D16/338
D398,325 S * 9/1998 Hall D16/325



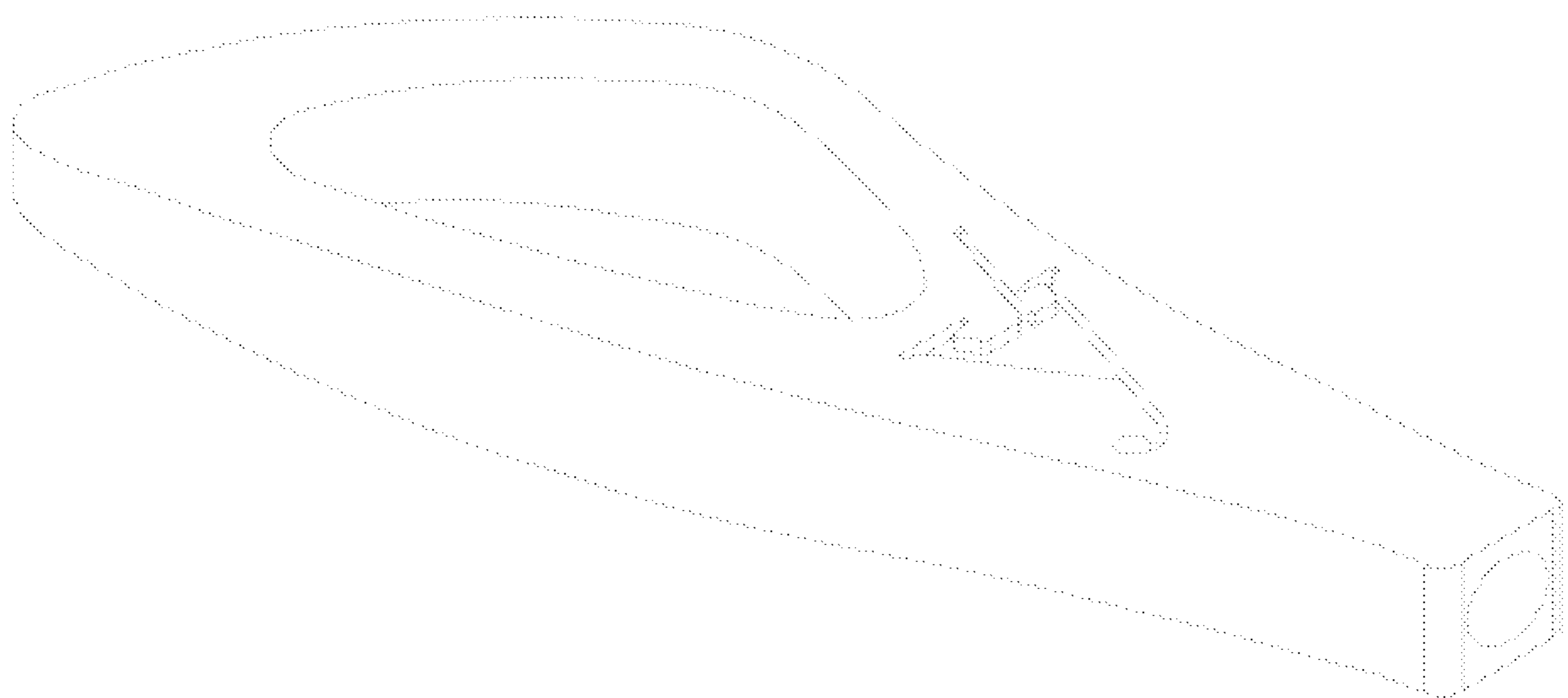


FIG. 1

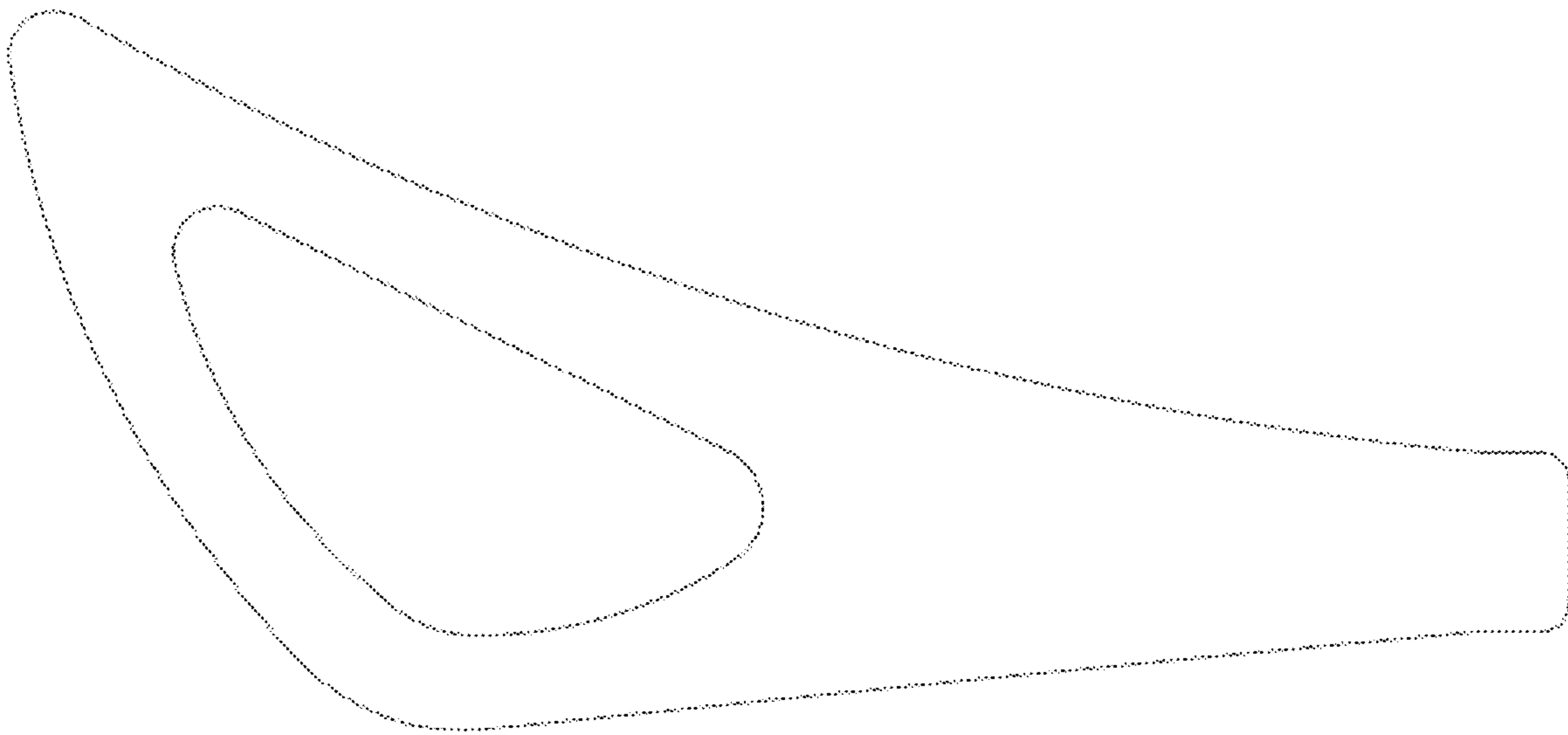


FIG. 2

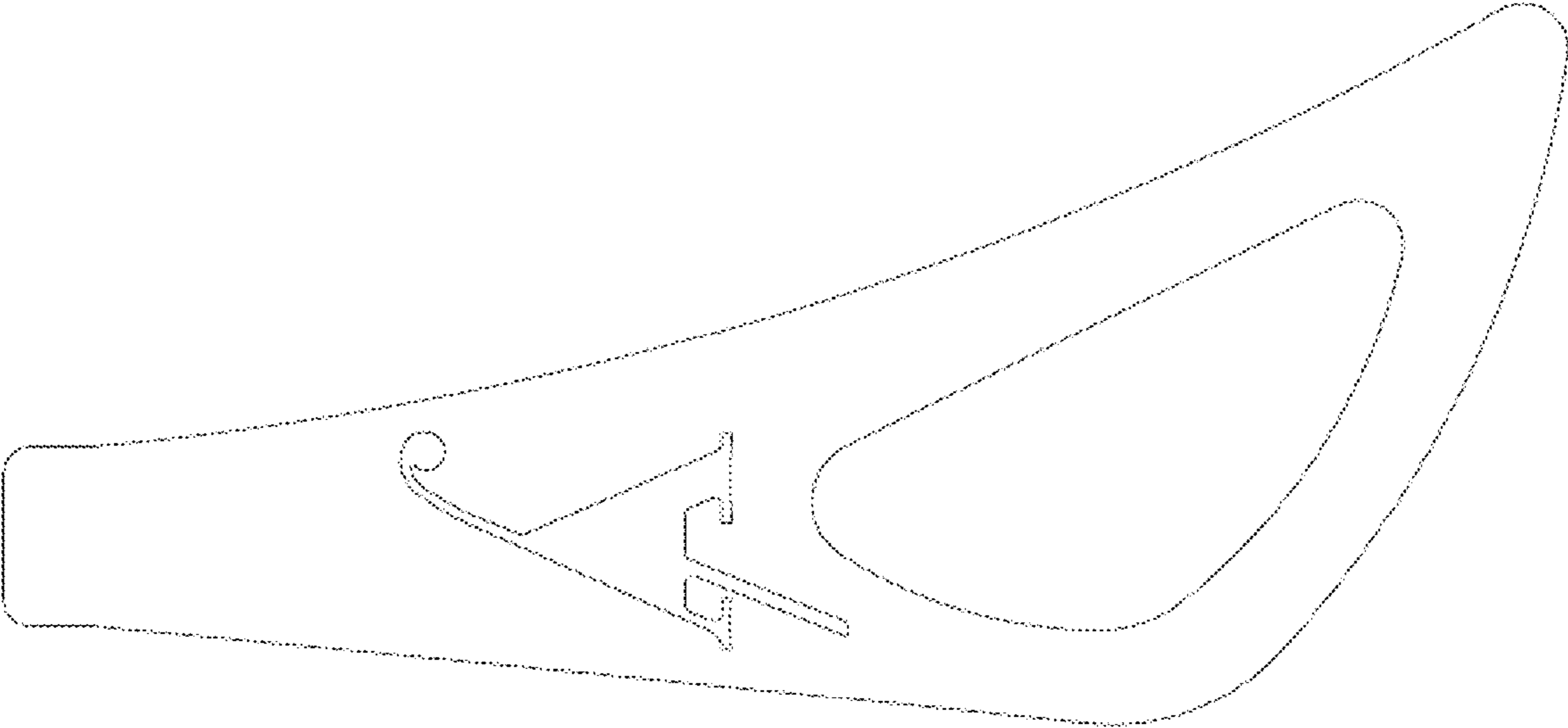


FIG. 3

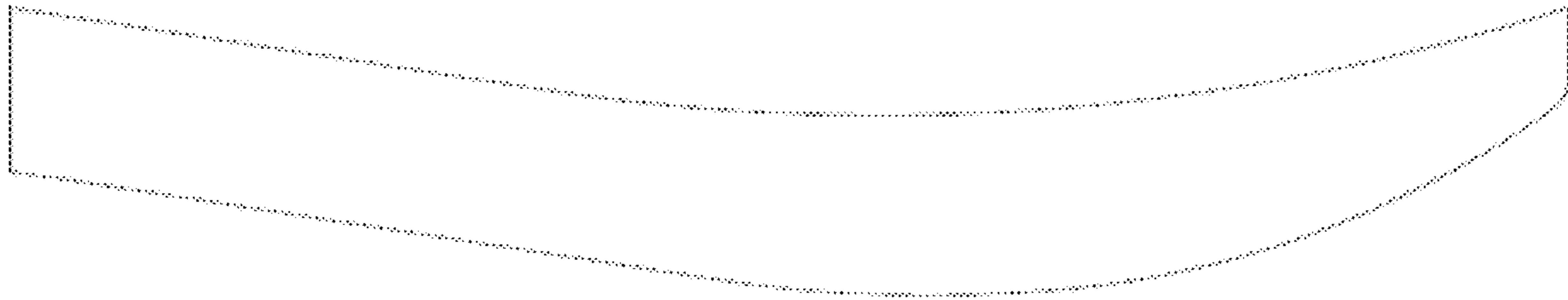


FIG. 4

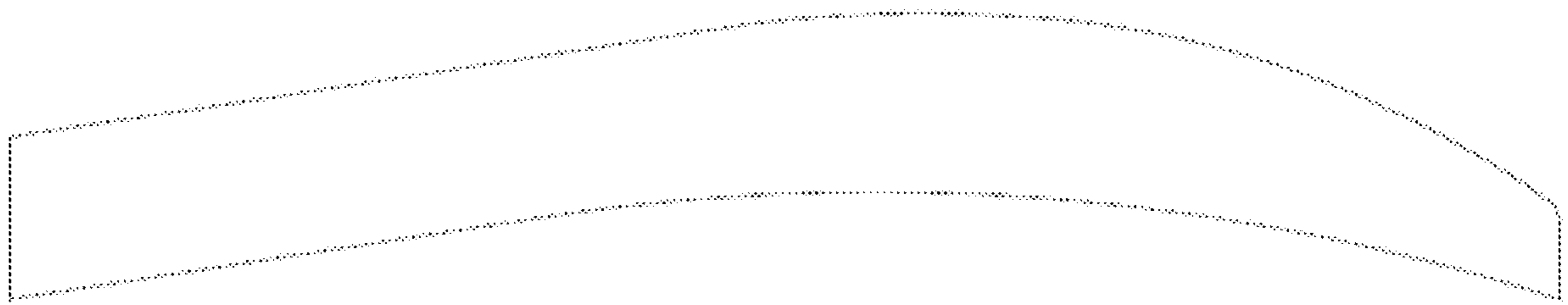


FIG. 5

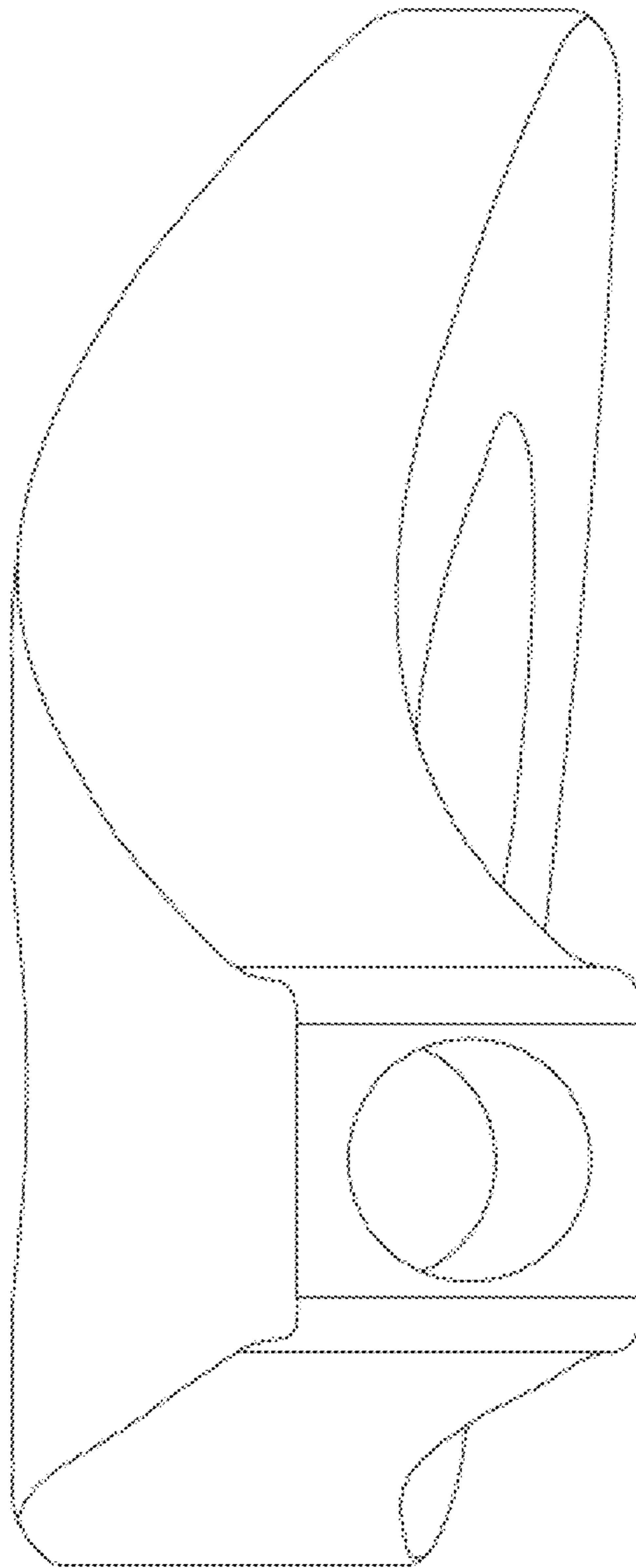


FIG. 6

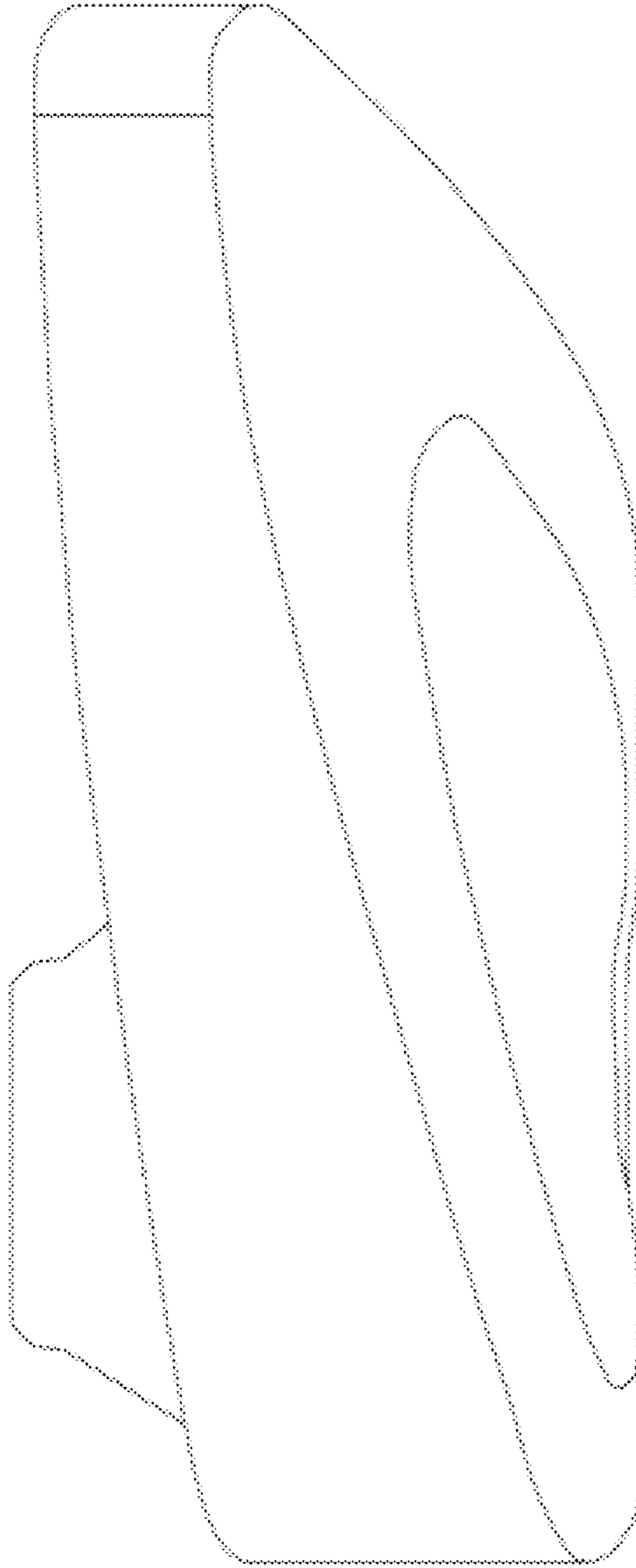


FIG. 7