



US00D899503S

(12) **United States Design Patent** (10) **Patent No.:** **US D899,503 S**
Boinnard et al. (45) **Date of Patent:** **** Oct. 20, 2020**

(54) **SUNGLASSES**

- (71) Applicant: **100% SPEEDLAB, LLC**, San Diego, CA (US)
- (72) Inventors: **Ludovic Francis Boinnard**, San Diego, CA (US); **Marc Guy Blanchard**, Solano Beach, CA (US); **Jerome Jacques Marie Mage**, Los Angeles, CA (US)
- (73) Assignee: **100% SPEEDLAB, LLC**, San Diego, CA (US)
- (**) Term: **15 Years**
- (21) Appl. No.: **29/673,210**
- (22) Filed: **Dec. 12, 2018**

Related U.S. Application Data

- (63) Continuation-in-part of application No. 29/672,927, filed on Dec. 10, 2018, now Pat. No. Des. 870,789, and a continuation-in-part of application No. 29/662,083, filed on Aug. 31, 2018, now Pat. No. Des. 878,454, said application No. 29/672,927 is a continuation of application No. 29/605,269, filed on May 24, 2017, now Pat. No. Des. 855,096, which is a continuation of application No. 14/548,217, filed on Nov. 19, 2014, which is a continuation-in-part of application No. 13/750,093, filed on Jan. 25, 2013, and a continuation-in-part of application No. 29/501,895, filed on Sep. 9, 2014, now Pat. No. Des. 727,400.
- (51) **LOC (12) Cl.** **16-06**
- (52) **U.S. Cl.**
USPC **D16/314**
- (58) **Field of Classification Search**
USPC D16/100, 101, 300, 301, 313, 314
CPC A61F 9/02; A61F 9/04; G02C 7/02; G02C 7/16

See application file for complete search history.

(56) **References Cited**

U.S. PATENT DOCUMENTS

- 2,846,684 A 8/1958 Hill
- 3,517,393 A 6/1970 Beauchef
- 4,271,538 A 6/1981 Montesi et al.
- 4,425,669 A 1/1984 Grendol et al.
- D293,450 S * 12/1987 Jannard D16/314

(Continued)

OTHER PUBLICATIONS

Bolle Performance Shifter Sunglasses, posted at jensonusa.com, posting date not given, [online], [site visited Nov. 20, 2019]. Available from Internet, URL: <https://www.jensonusa.com/Bolle-Performance-Shifter-Sunglasses-SHINY-REDPHANTOM-BROWN-RED> (Year: 2019).*

(Continued)

Primary Examiner — George D. Kirschbaum

Assistant Examiner — Maria J Edwards

(74) *Attorney, Agent, or Firm* — Kolitch Romano LLP

(57) **CLAIM**

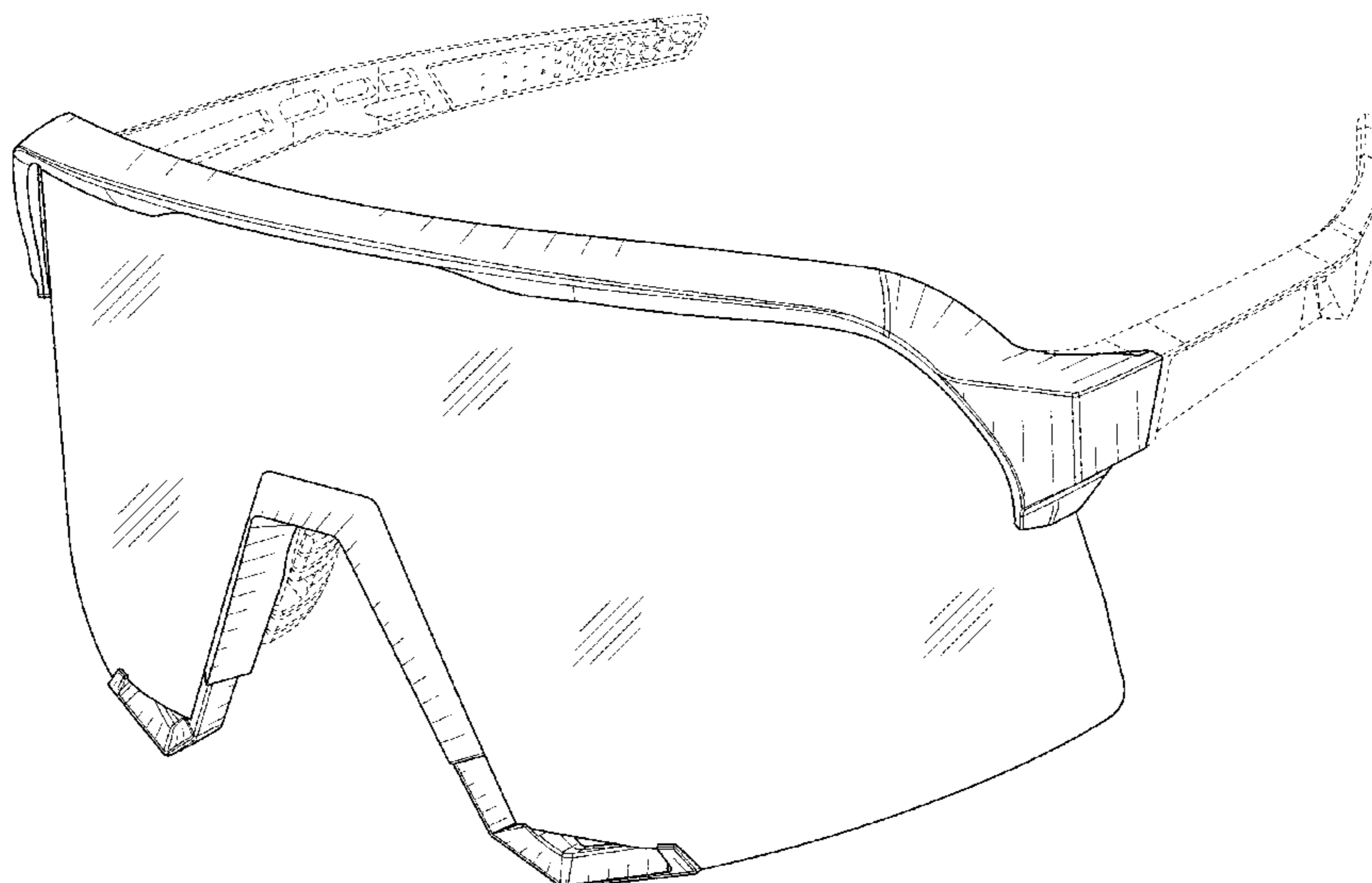
The ornamental design for sunglasses, as shown and described.

DESCRIPTION

FIG. 1 is a front, top, left perspective view of sunglasses showing the new design;
 FIG. 2 is a rear, bottom, right perspective view thereof;
 FIG. 3 is a front side elevational view thereof;
 FIG. 4 is a rear side elevational view thereof;
 FIG. 5 is a right side elevational view thereof;
 FIG. 6 is a left side elevational view thereof;
 FIG. 7 is a top plan view thereof; and,
 FIG. 8 is a bottom plan view thereof.

The broken lines illustrate portions of the sunglasses and form no part of the claimed design.

1 Claim, 6 Drawing Sheets



(56)

References Cited

U.S. PATENT DOCUMENTS

4,730,915 A 3/1988 Jannard
 4,785,481 A 11/1988 Palmer, III et al.
 4,824,233 A 4/1989 Jannard
 4,964,714 A 10/1990 Weymouth, Jr. et al.
 4,977,627 A 12/1990 Metcalfe et al.
 D317,167 S * 5/1991 Downey D16/314
 D330,903 S 11/1992 Jannard
 D336,483 S * 6/1993 Hatchiguian D16/314
 5,239,320 A 8/1993 Allendorf et al.
 5,363,512 A 11/1994 Grabos, Jr. et al.
 D354,971 S 1/1995 Mugnier
 5,379,464 A 1/1995 Schleger et al.
 D357,268 S 4/1995 Iida
 5,444,876 A 8/1995 Cooper et al.
 5,455,639 A 10/1995 Magdelaine et al.
 5,517,700 A 5/1996 Hoffman
 5,519,896 A 5/1996 Ford
 D377,802 S 2/1997 Leonardi
 5,610,668 A 3/1997 Mage
 5,898,468 A 4/1999 Mage
 6,029,271 A 2/2000 Banuchi
 6,076,196 A 6/2000 Masumoto
 6,138,285 A 10/2000 Robrahn et al.
 6,196,676 B1 3/2001 Tabacchi
 6,227,664 B1 5/2001 Pavlak
 6,257,719 B1 7/2001 Pavlak
 6,481,845 B1 11/2002 Gazzara
 6,513,171 B1 2/2003 Soper
 6,601,240 B2 8/2003 Tsubooka
 6,611,966 B1 9/2003 Yamamoto et al.
 6,637,038 B1 10/2003 Hussey
 6,665,885 B2 12/2003 Masumoto
 D533,889 S 12/2006 Saderholm et al.
 D542,829 S 5/2007 Hsu
 D546,868 S 7/2007 Teng
 D622,303 S 8/2010 Thixton
 7,891,025 B2 2/2011 Kobayashi et al.
 8,303,109 B2 11/2012 Matera
 D694,312 S 11/2013 Mage

D711,960 S 8/2014 Mage et al.
 D727,398 S 4/2015 Blanchard et al.
 D727,400 S 4/2015 Blanchard et al.
 D756,446 S 5/2016 Yoo
 D777,827 S * 1/2017 Chen D16/314
 D778,339 S * 2/2017 Yoo D16/313
 D837,871 S * 1/2019 Canales D16/314
 D847,897 S * 5/2019 Kim D16/330
 D849,823 S * 5/2019 Canales D16/313
 D849,825 S * 5/2019 Canales D16/314
 D855,686 S * 8/2019 Shin D16/300
 10,394,049 B2 * 8/2019 Canales G02C 5/126
 D878,454 S * 3/2020 Boinnard D16/314
 D880,573 S * 4/2020 Liang D16/312
 2002/0023292 A1 2/2002 Masumoto
 2003/0035082 A1 2/2003 Olney
 2005/0179856 A1 8/2005 Van Atta et al.
 2008/0189838 A1 8/2008 Mage
 2009/0077722 A1 3/2009 Welch et al.
 2010/0225879 A1 9/2010 Pulito
 2011/0258760 A1 10/2011 Renaud-goud et al.
 2011/0279771 A1 11/2011 Chen
 2014/0063438 A1 3/2014 Cater et al.
 2014/0157496 A1 6/2014 Ginther et al.
 2014/0208489 A1 7/2014 Blanchard et al.
 2015/0074880 A1 3/2015 Blanchard et al.

OTHER PUBLICATIONS

Gust Aero Sunglasses, posted at forward-wip.com, posting date not given, [online], [site visited Nov. 20, 2019]. Available from Internet, URL: <https://www.forward-wip.com/en/103-gust-aero.html> (Year: 2019).*

S2-smoke sunglasses, posted at paragonssports.com, posting date not given, [online], [site visited Nov. 20, 2019]. Available from Internet, URL: <https://www.paragonssports.com/products/s2-smoke> (Year: 2019).*

S3-matte-pink-hiper-blue sunglasses, posted at ride100percent.com, posting date not given, [online], [site visited Nov. 20, 2019]. Available from Internet, URL: <https://www.ride100percent.com/products/s3-matte-pink-hiper-blue-multilayer-mirror-lens> (Year: 2019).*

* cited by examiner

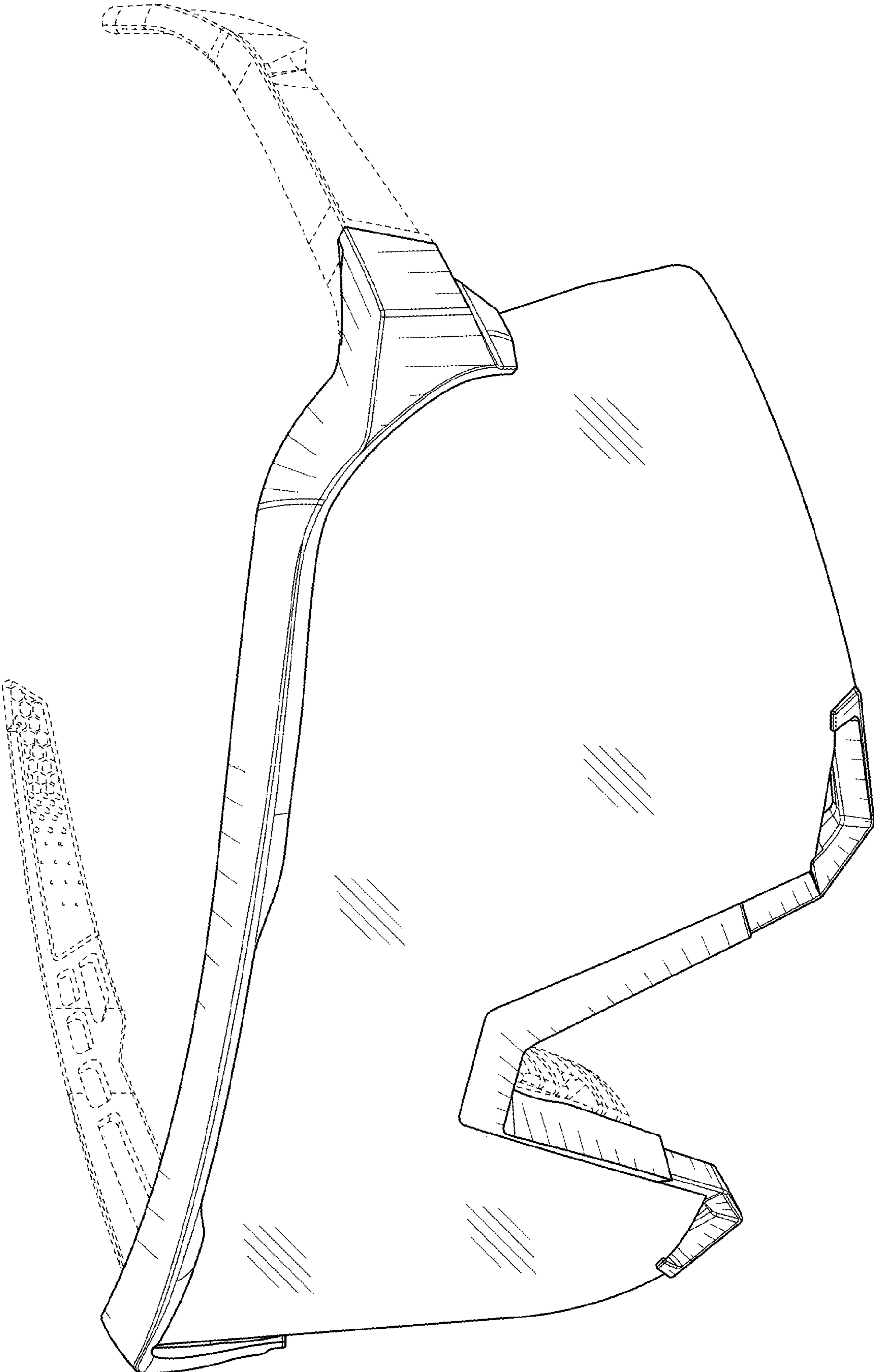


FIG. 1

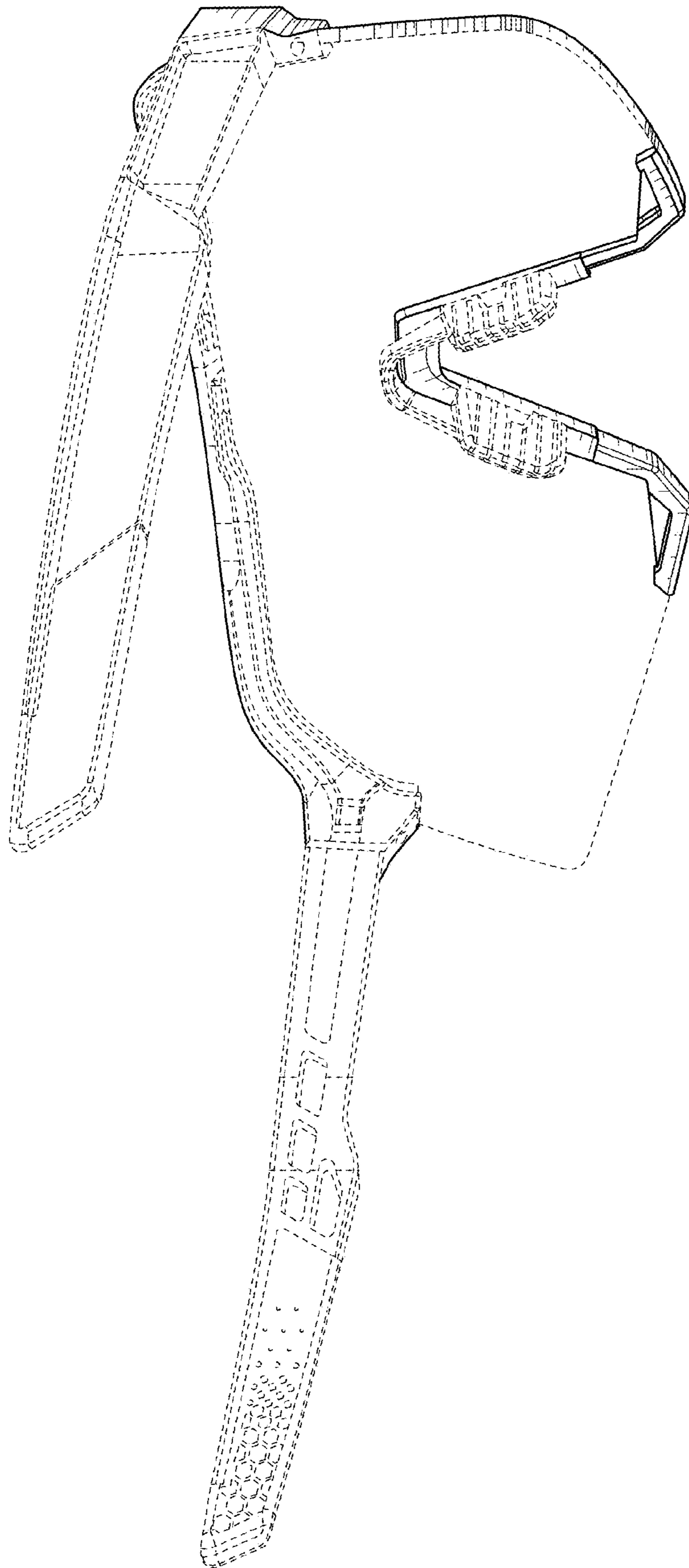


FIG. 2

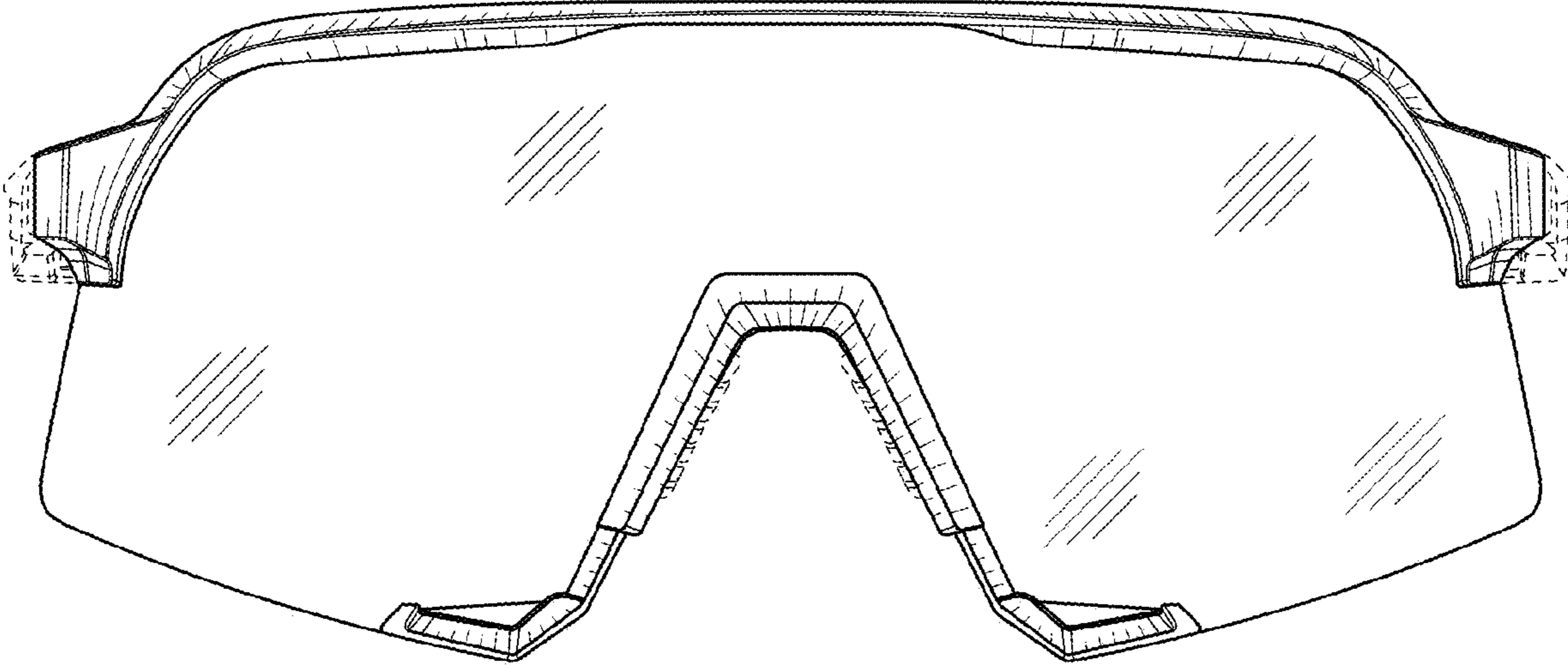


FIG. 3

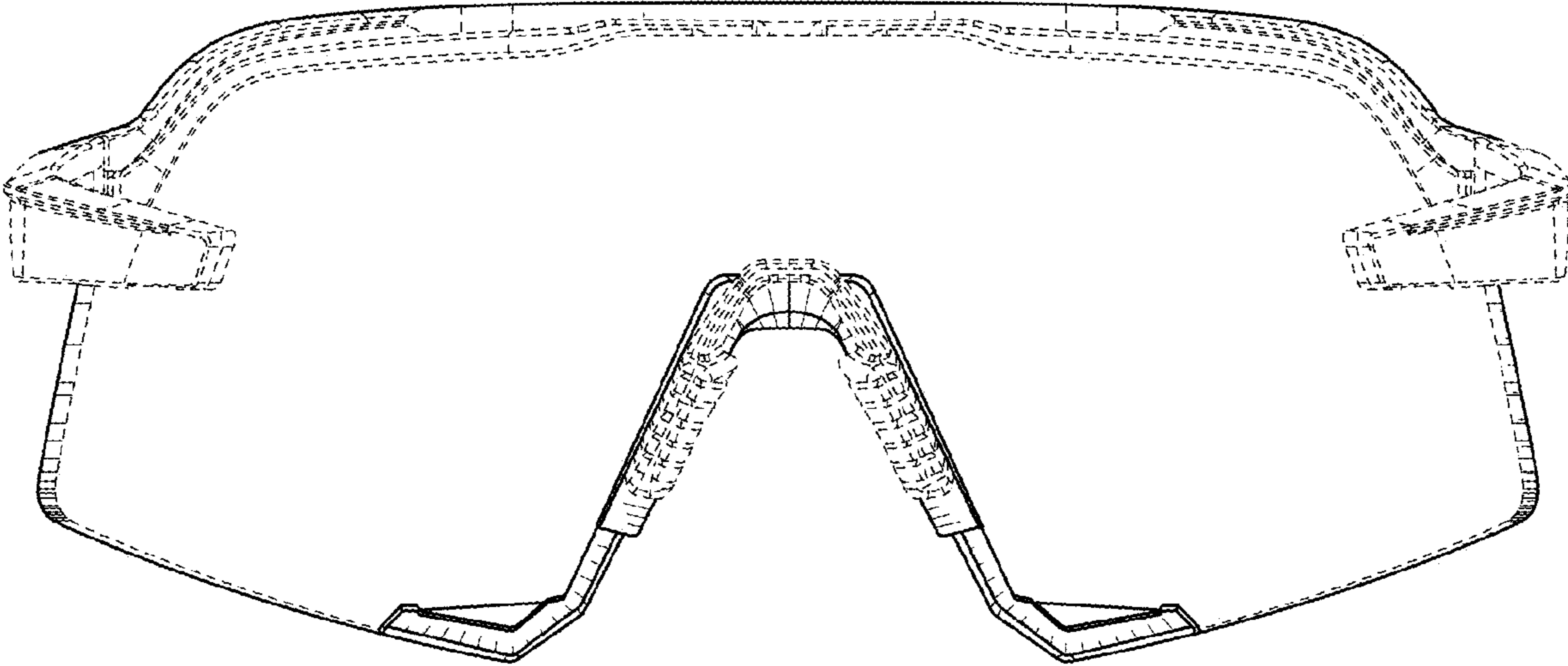


FIG. 4

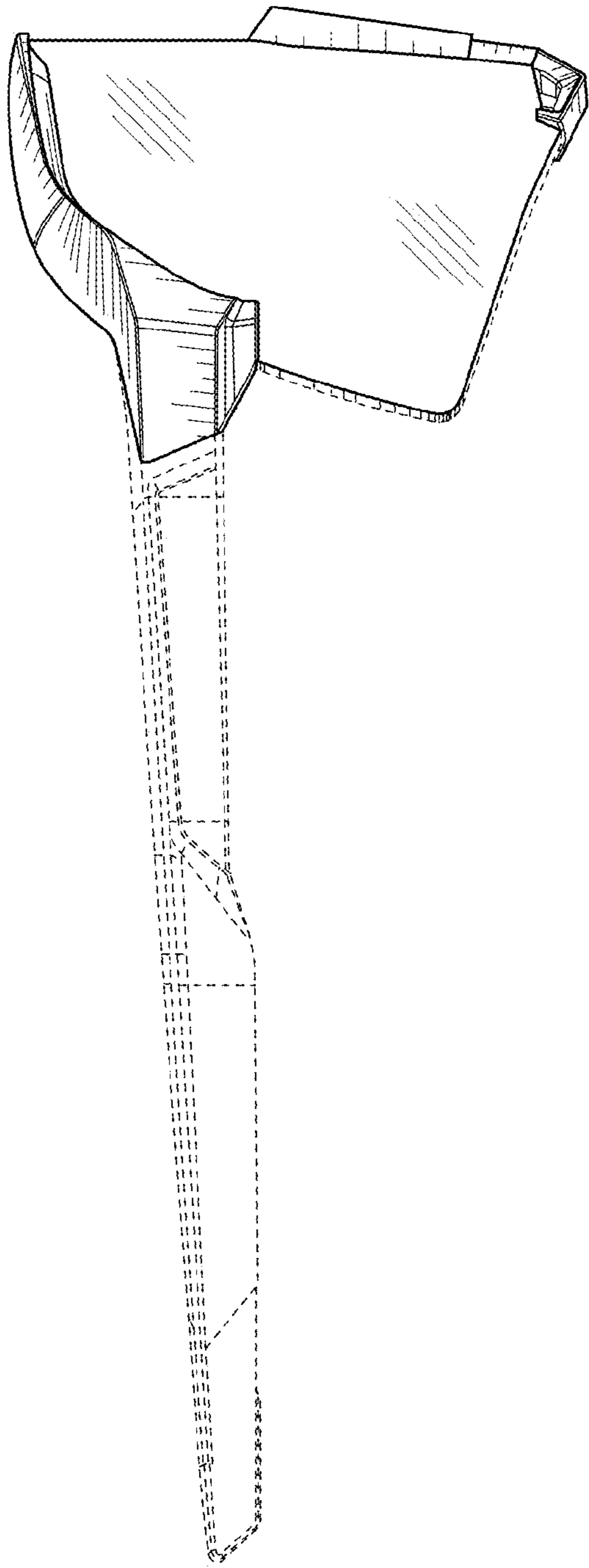


FIG. 5

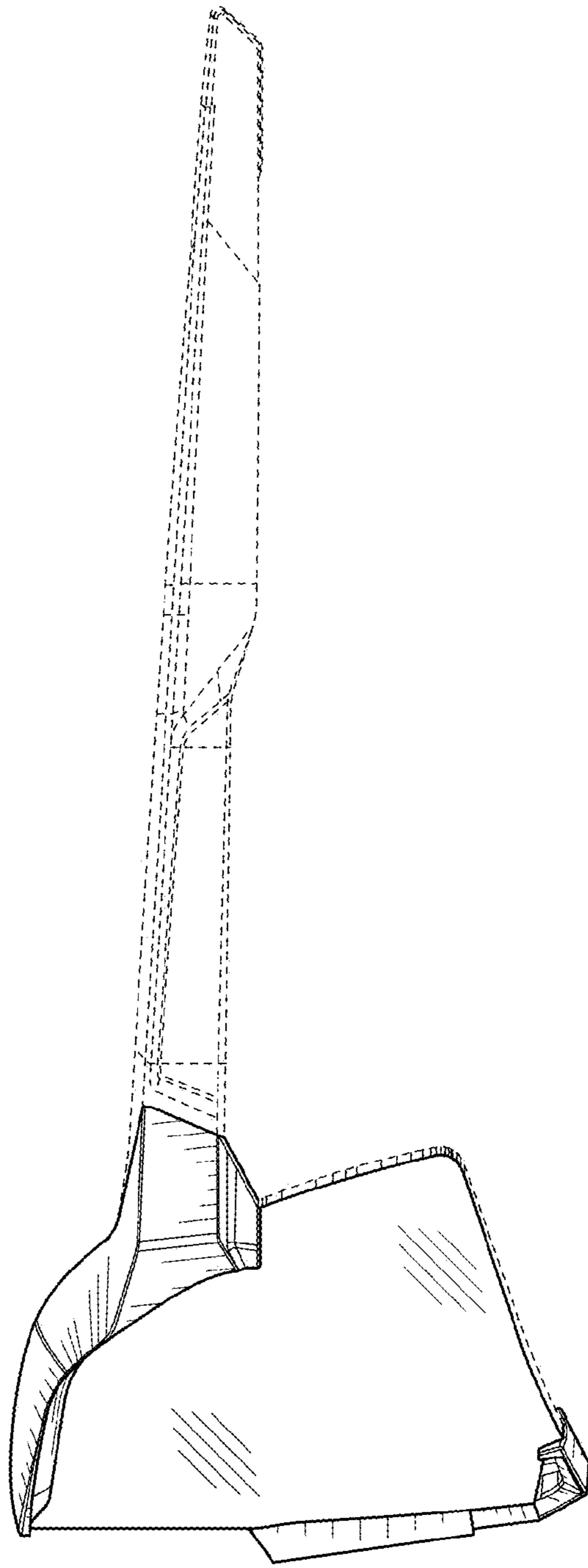


FIG. 6

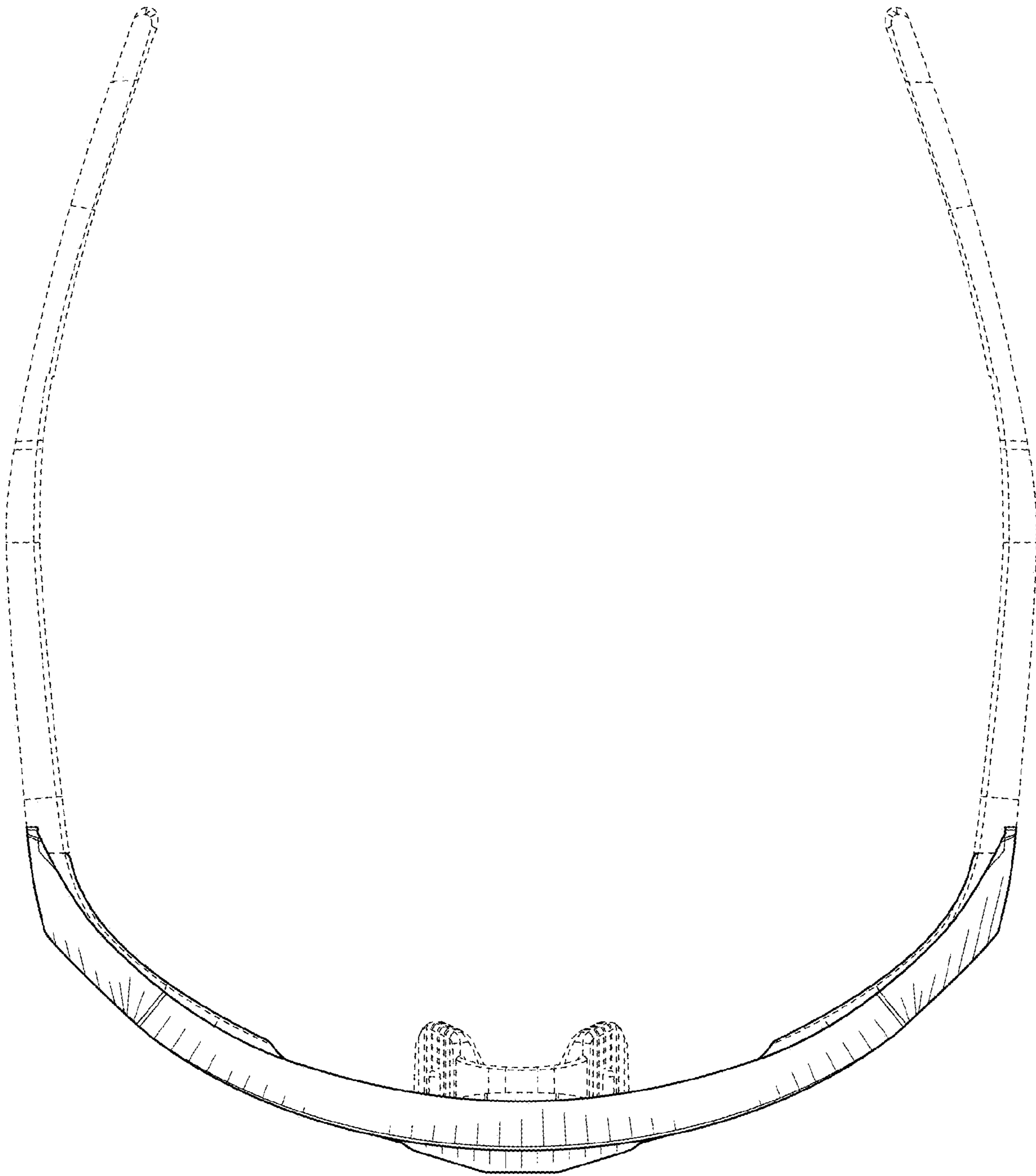


FIG. 7

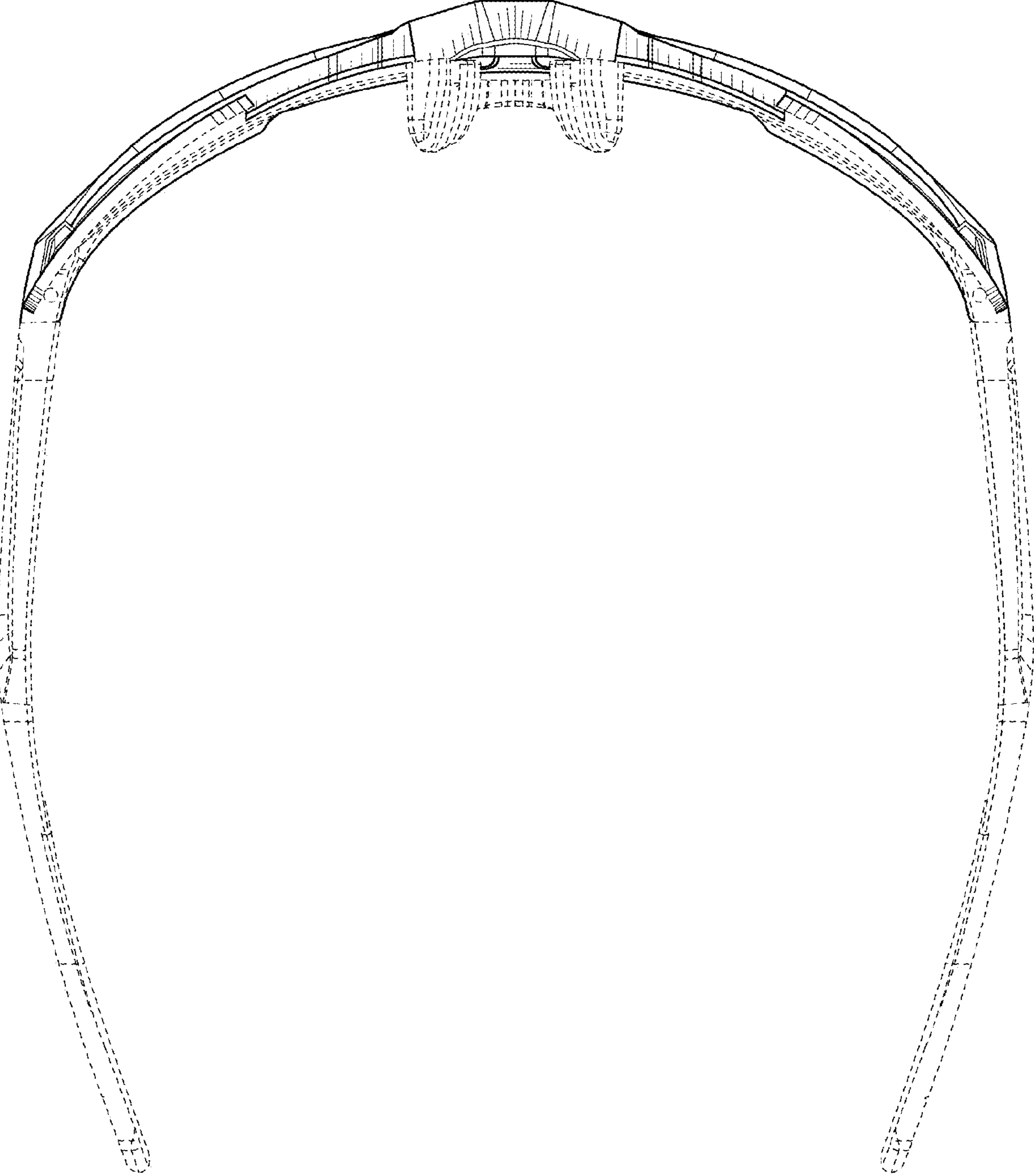


FIG. 8