



US00D899502S

(12) **United States Design Patent** (10) **Patent No.:** **US D899,502 S**
Liu (45) **Date of Patent:** **** Oct. 20, 2020**

(54) **GOGGLES**
(71) Applicant: **Guangzhou He Chang Optical Co., Ltd**, Guangzhou, Guangdong (CN)
(72) Inventor: **Chun-Heng Liu**, Guangzhou (CN)
(73) Assignee: **Guangzhou He Chang Optical Co., Ltd**, Guangzhou (CN)

6,047,410 A * 4/2000 Dondero A61F 9/027
2/426
D508,939 S * 8/2005 Hussey D16/312
D515,615 S * 2/2006 Fecteau D16/312
D525,277 S * 7/2006 Tsubooka D16/312
D556,812 S * 12/2007 Wang-Lee D16/312
D608,816 S * 1/2010 Wang-Lee D16/312

(Continued)

FOREIGN PATENT DOCUMENTS

(**) Term: **15 Years**
(21) Appl. No.: **29/676,956**

CA 3020818 A1 * 4/2019 G02C 9/04
CN 303662392 * 5/2016

(Continued)

(22) Filed: **Jan. 16, 2019**
(51) **LOC (12) Cl.** **16-06**
(52) **U.S. Cl.**
USPC **D16/312**
(58) **Field of Classification Search**
USPC 348/115, 53, 121, 739; 345/7-9, 905;
351/158, 153, 144; D14/125, 126, 129,
D14/299, 372, 496, 432; D16/101, 300,
D16/303-304, 309-315, 317-323,
D16/325-340; D29/108, 109, 110, 112
CPC . A63B 33/00; A63B 33/002; A63B 2033/004;
A63B 2033/006; A63B 2033/008; G02C
2200/08; G02C 2200/22; G02C 5/008;
G02C 5/14; G02C 5/16; G02C 5/146;
G02C 5/2254; G02C 1/06; G02C 11/02;
G02C 11/04; A61M 2021/0044; B63C
11/12; A61F 9/00; A61F 9/02
See application file for complete search history.

OTHER PUBLICATIONS

Wildhorn Roca Snowboard Goggles, review dated Feb. 22, 2020, [online], [site visited Apr. 22, 2020]. Available from Internet, <URL: <https://www.amazon.com/WildHorn-Outfitters-Snowboard-Goggles-Integrated/dp/B07G3JPM7P> (Year: 2020).*

Primary Examiner — Sanjeev Paul
(74) *Attorney, Agent, or Firm* — Leason Ellis LLP

(57) **CLAIM**

The ornamental design for goggles, as shown and described.

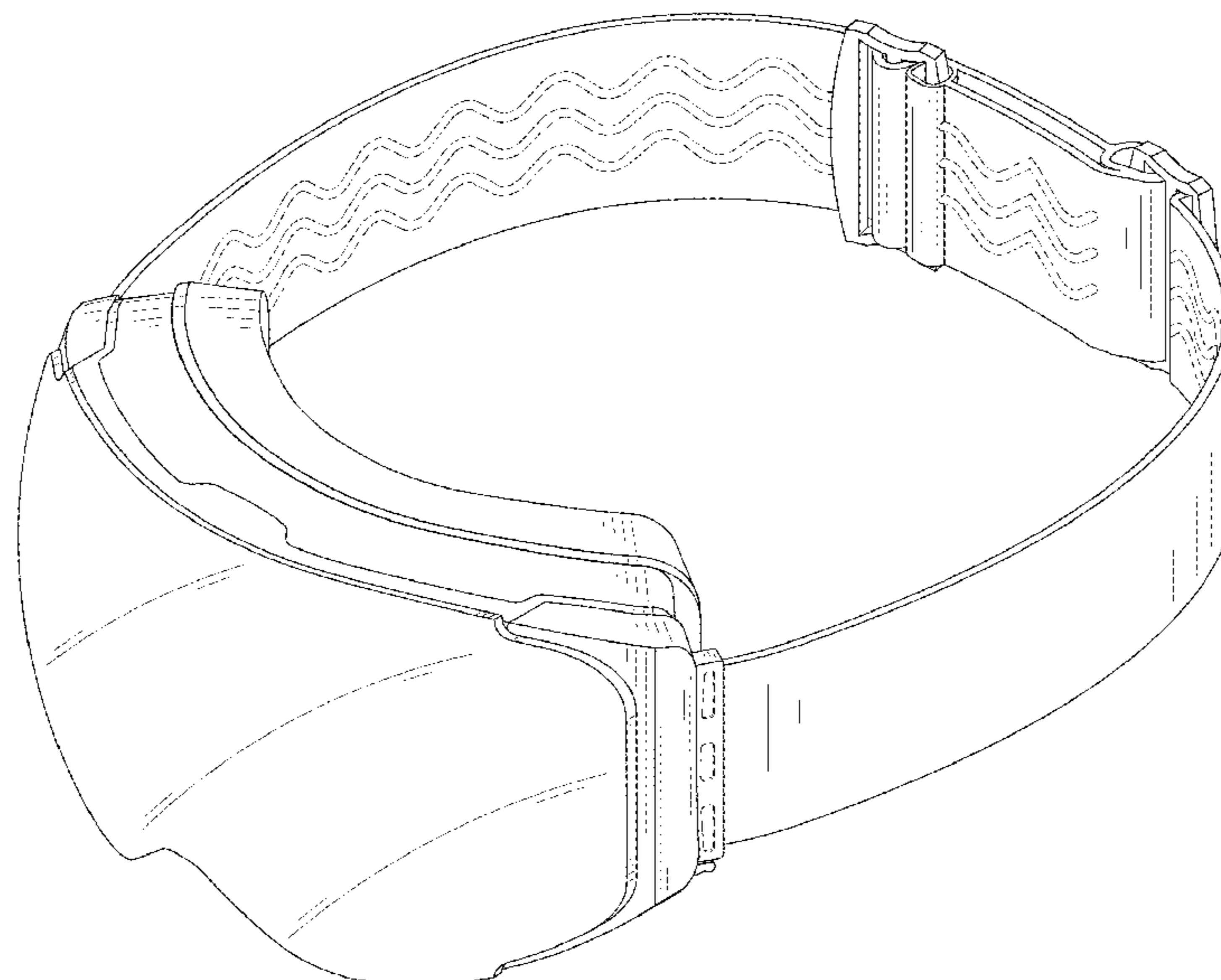
DESCRIPTION

FIG. 1 is a perspective view of goggles in accordance with the present invention;
FIG. 2 is another perspective view of the goggles in FIG. 1;
FIG. 3 is a front view thereof;
FIG. 4 is a rear view thereof;
FIG. 5 is a right side view thereof;
FIG. 6 is a left side view thereof;
FIG. 7 is a top view thereof; and,
FIG. 8 is a bottom view thereof.
The broken lines in the drawings depict environmental structure and form no part of the claimed design.

(56) **References Cited**
U.S. PATENT DOCUMENTS

3,718,937 A * 3/1973 Smith A61F 9/025
2/436
D405,102 S * 2/1999 Moritz D16/312
6,009,564 A * 1/2000 Tackles A61F 9/02
2/436

1 Claim, 8 Drawing Sheets



(56)

References Cited

U.S. PATENT DOCUMENTS

D609,265 S * 2/2010 Wang-Lee D16/312
 D610,602 S * 2/2010 Yun D16/312
 D616,914 S * 6/2010 Moritz D16/312
 D626,166 S * 10/2010 Yang D16/312
 D626,987 S * 11/2010 Yang D16/312
 D629,034 S * 12/2010 McNeal A61F 9/025
 D629,035 S * 12/2010 Moritz D16/312
 D629,442 S * 12/2010 Tominaga D16/312
 D633,937 S * 3/2011 Yasuhara D16/312
 D640,724 S * 6/2011 Goodman D16/312
 D649,178 S * 11/2011 Moritz D16/312
 D649,577 S * 11/2011 Goodman D16/312
 D653,686 S * 2/2012 Tobia D16/101
 D653,695 S * 2/2012 Tobia D16/312
 D657,812 S * 4/2012 Li D16/312
 D670,753 S * 11/2012 Chen D16/312
 D678,932 S * 3/2013 Moritz D16/312
 D680,576 S * 4/2013 Chen D16/312
 D687,480 S * 8/2013 Castro D16/312
 D687,881 S * 8/2013 Ginther D16/312
 D694,806 S * 12/2013 Mage D16/312
 D695,335 S * 12/2013 Goodman D16/312
 D695,818 S * 12/2013 Laperriere D16/312
 D698,854 S * 2/2014 McNeal D16/312
 D700,929 S * 3/2014 McNeal D16/312
 D704,249 S * 5/2014 Orzeck D16/309
 D711,961 S * 8/2014 Arnette D16/312
 D714,378 S * 9/2014 Sandor D16/313
 D715,350 S * 10/2014 Moritz D16/312
 D717,851 S * 11/2014 Arnette D16/101
 D718,369 S * 11/2014 Janavicius D16/312
 D723,094 S * 2/2015 Chen D16/312
 D725,175 S * 3/2015 Wang-Lee D16/312
 D729,303 S * 5/2015 Laperriere D16/326
 D730,430 S * 5/2015 Tanguy D16/312
 D736,303 S * 8/2015 Yu D16/309
 D740,811 S * 10/2015 Bosveld D14/372
 D740,815 S * 10/2015 Bosveld D14/372
 D741,323 S * 10/2015 Bosveld D14/372
 D741,326 S * 10/2015 Bosveld D14/372
 D748,716 S * 2/2016 Yang D16/312
 D769,350 S * 10/2016 Orzeck D16/312
 D776,187 S * 1/2017 Tappeiner D16/312
 D777,826 S * 1/2017 Shin D16/312
 D783,697 S * 4/2017 Chae D16/101
 D784,441 S * 4/2017 Garfias D16/312
 D800,825 S * 10/2017 Frosi D16/313
 D802,651 S * 11/2017 Thixton D16/330
 D805,576 S * 12/2017 Garfias D16/312
 D818,031 S * 5/2018 Garfias D16/314
 D821,485 S * 6/2018 Yoo D16/313

D827,007 S * 8/2018 Garfias D16/101
 D828,866 S * 9/2018 Yoo D16/313
 D829,810 S * 10/2018 Nellestam D16/313
 D834,087 S * 11/2018 Yoo D16/313
 D843,438 S * 3/2019 Karlson D16/314
 D847,248 S * 4/2019 Liang D16/313
 D858,622 S * 9/2019 Xin D16/312
 D863,414 S * 10/2019 Schwabe D16/312
 D864,285 S * 10/2019 Liang D16/313
 D868,143 S * 11/2019 Menachem D16/313
 D868,878 S * 12/2019 Langenwalter D16/312
 D869,547 S * 12/2019 Xin D16/312
 D870,171 S * 12/2019 Chae D16/101
 D872,168 S * 1/2020 Zhang D16/312
 D872,169 S * 1/2020 Yong D16/312
 D880,573 S * 4/2020 Liang D16/312
 D880,574 S * 4/2020 Liang D16/312
 2007/0033718 A1 * 2/2007 Lin G02C 11/08
 2009/0038059 A1 * 2/2009 McNeal G02C 5/001
 2011/0273662 A1 * 11/2011 Hwang G02B 27/0176
 2012/0218507 A1 * 8/2012 Calilung A61F 9/026
 2013/0067626 A1 * 3/2013 Sandor A61F 9/026
 2013/0104300 A1 * 5/2013 Park A61F 9/025
 2013/0185849 A1 * 7/2013 Laughlin A61F 9/025
 2014/0033408 A1 * 2/2014 Currens A61F 9/025
 2014/0139407 A1 * 5/2014 Abdollahi G02B 27/0149
 2014/0182754 A1 * 7/2014 Young A45C 11/00
 2016/0331591 A1 * 11/2016 Kilduff A61F 9/025
 2018/0373064 A1 * 12/2018 Chen A61F 9/02
 2019/0227347 A1 * 7/2019 Jimenez G02F 1/155
 2019/0343685 A1 * 11/2019 Hung G02C 7/102

FOREIGN PATENT DOCUMENTS

CN 304096300 * 4/2017
 CN 305041989 * 2/2019
 CN 305041990 * 2/2019
 CN 305120358 * 4/2019
 CN 305148716 * 5/2019
 EM 002685701-0001 * 5/2015
 EP 2006-416643 * 6/2006
 EP 2009-N19381 * 9/2009
 EP 2019-34482N * 5/2019

* cited by examiner

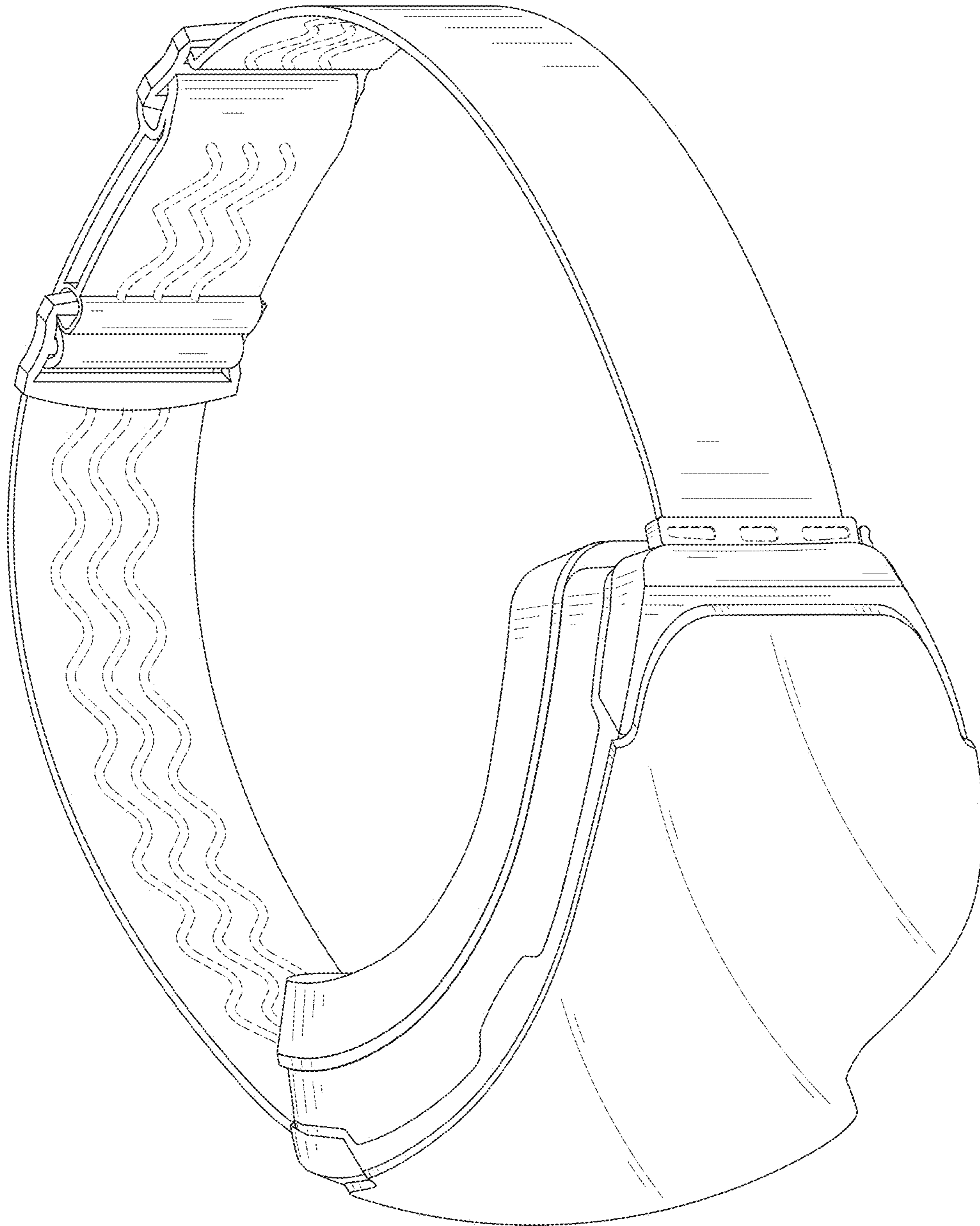


FIG. 1

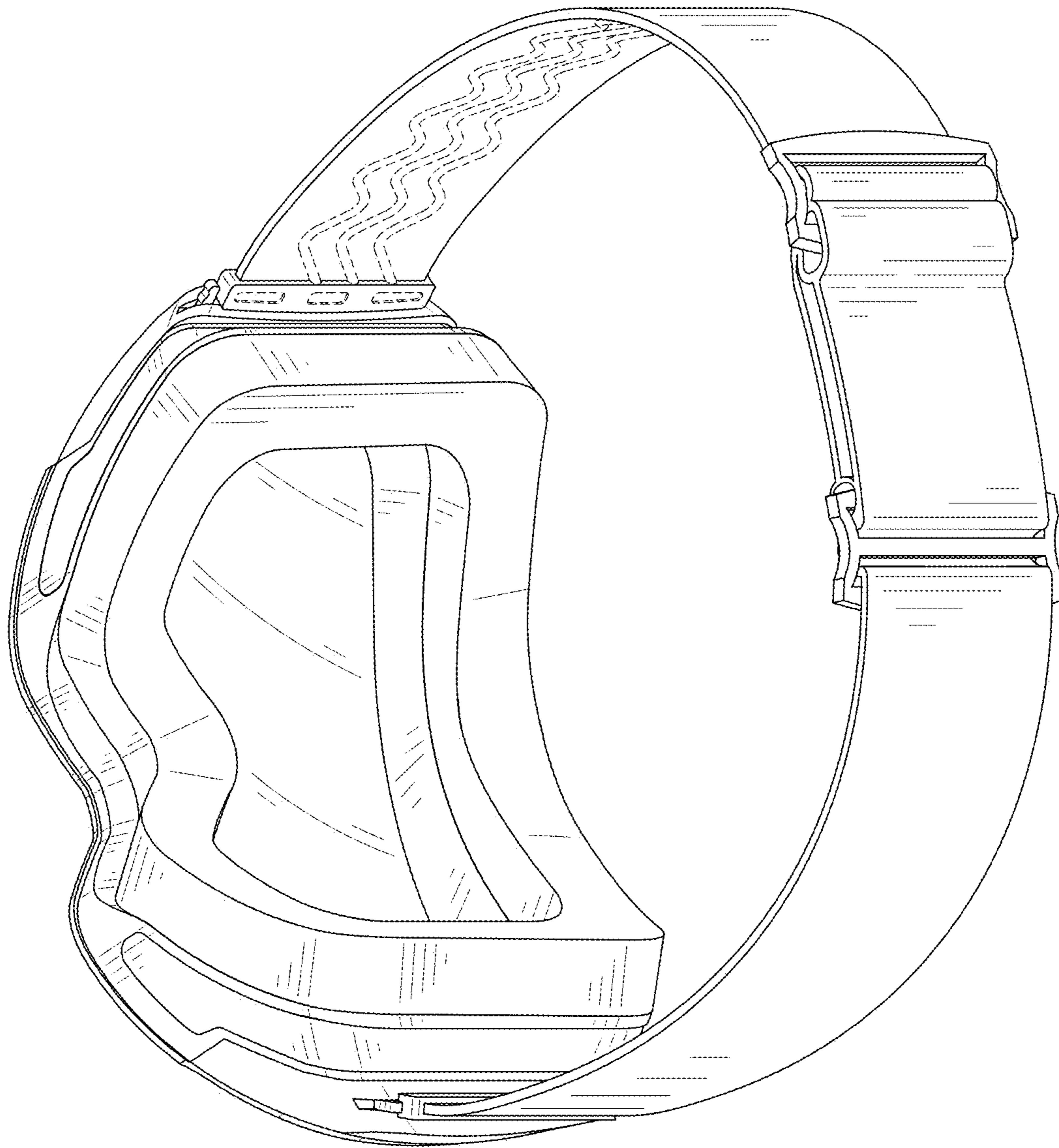


FIG. 2

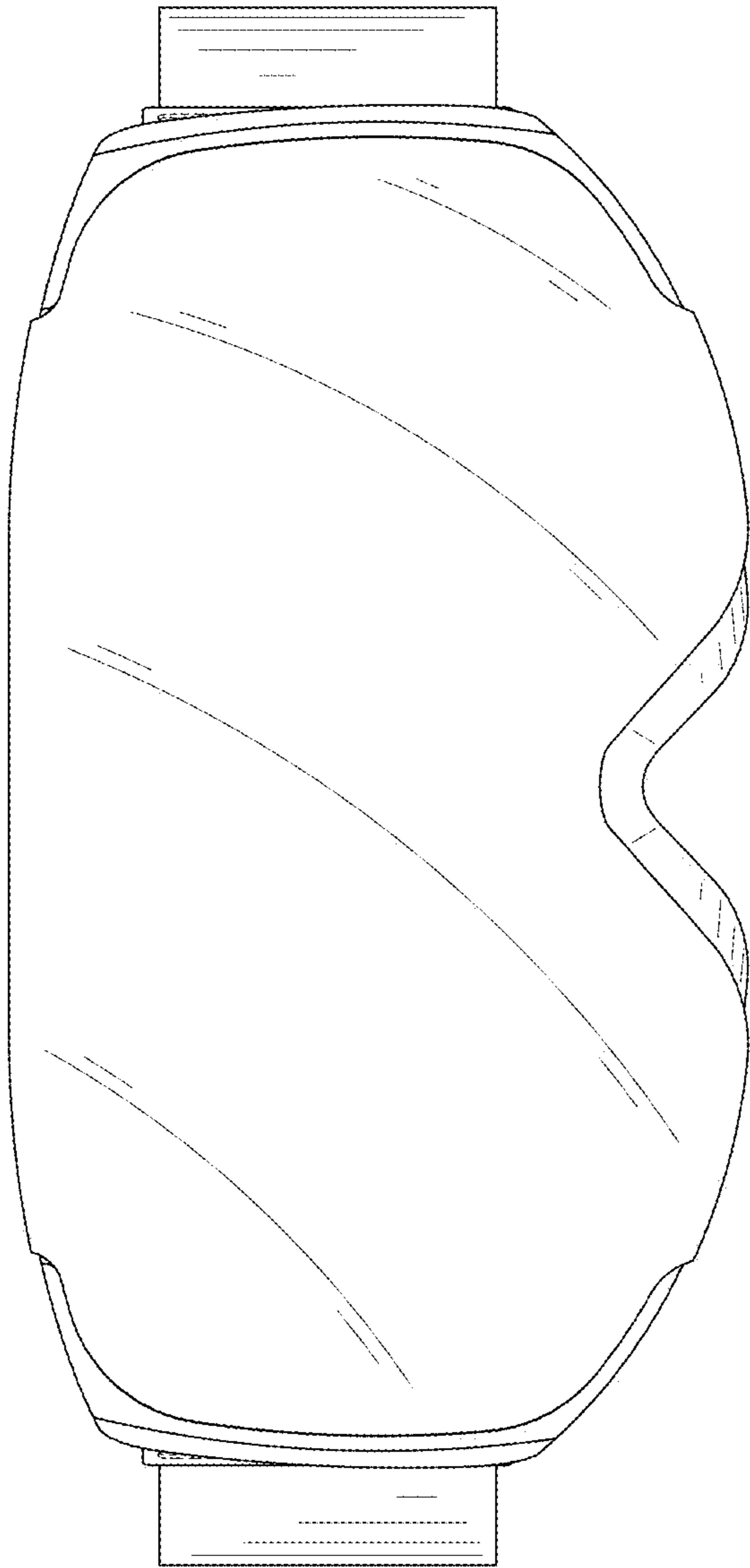


FIG. 3

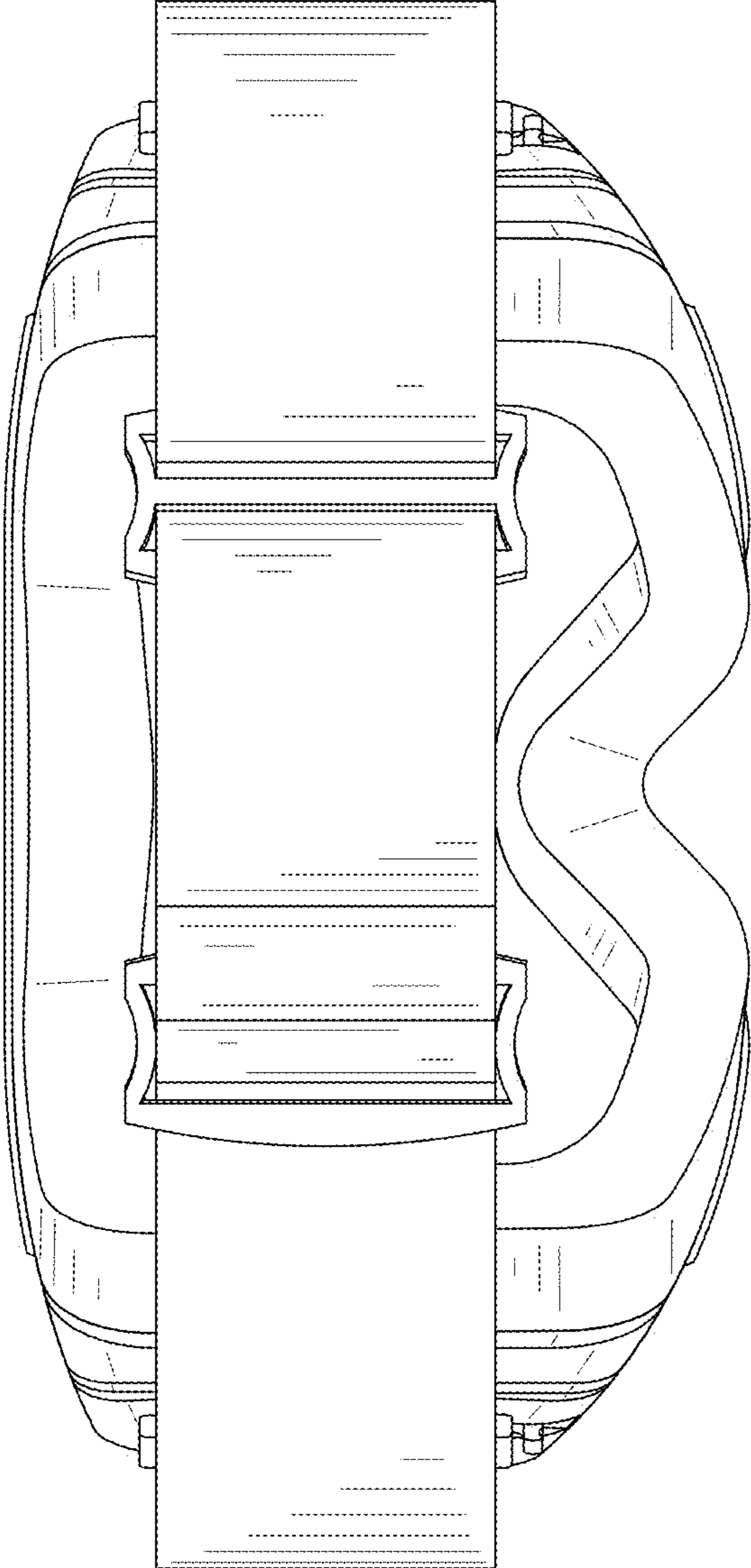


FIG. 4

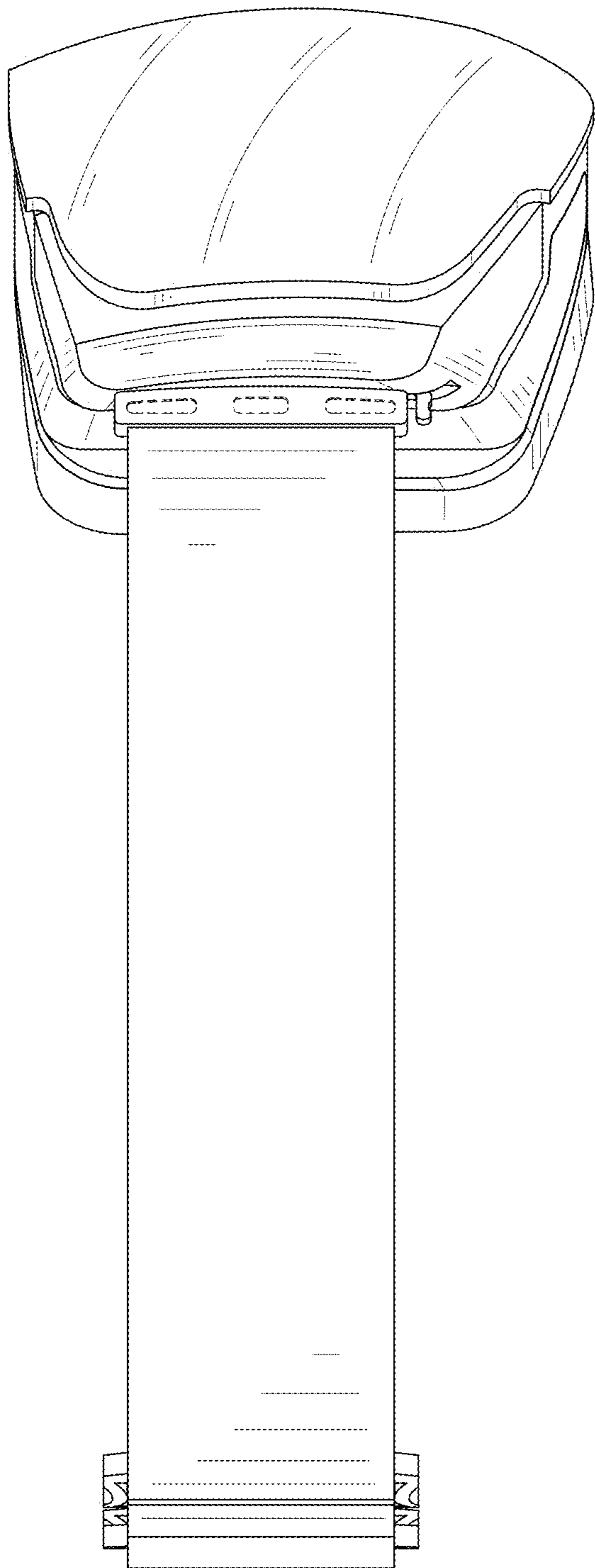


FIG. 5

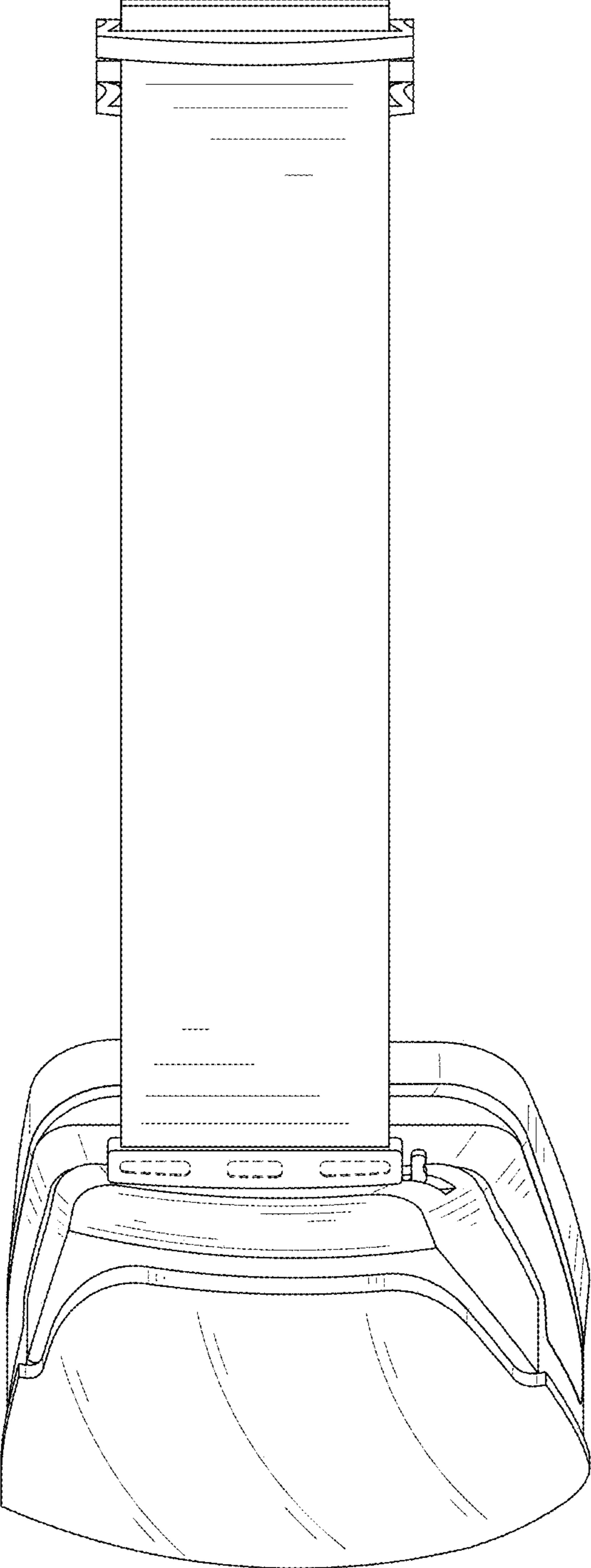


FIG. 6

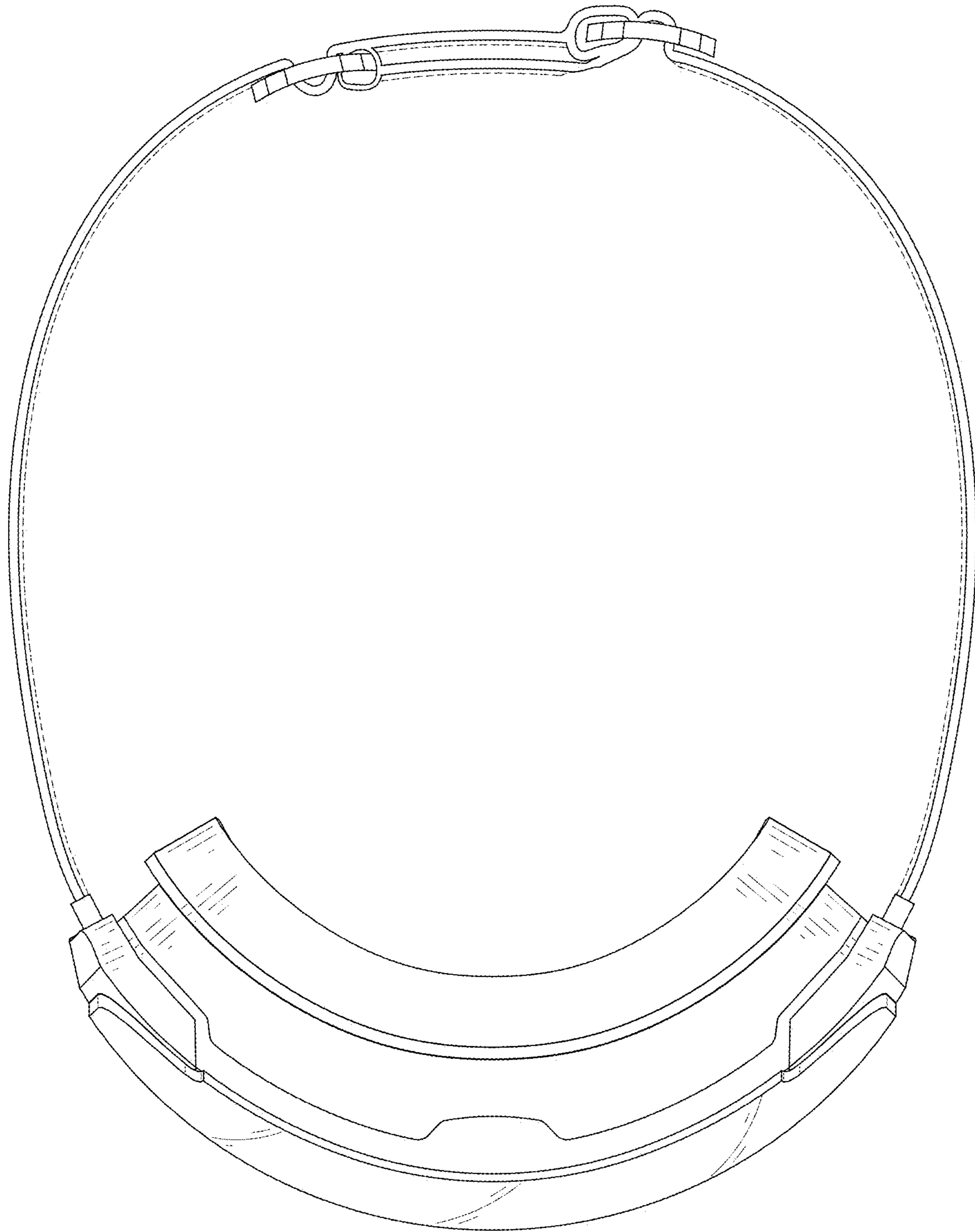


FIG. 7

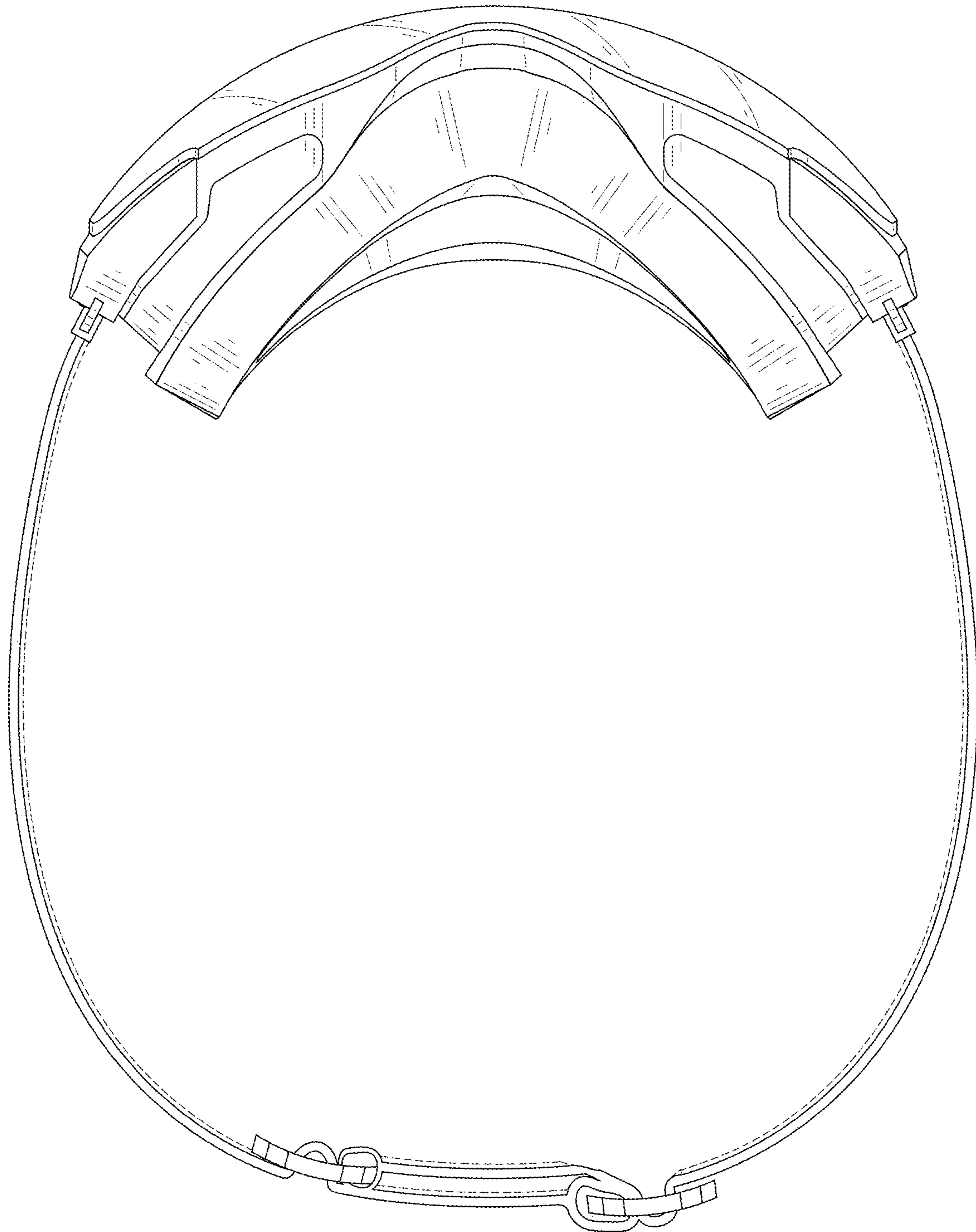


FIG. 8