



US00D899492S

(12) **United States Design Patent**  
**Hao**

(10) **Patent No.:** **US D899,492 S**

(45) **Date of Patent:** **\*\* Oct. 20, 2020**

(54) **TRIPOD**

(71) Applicant: **SHENZHEN AIKEGLOBAL INDUSTRIAL CO., LTD**, Shenzhen (CN)

(72) Inventor: **Dandan Hao**, Shenzhen (CN)

(73) Assignee: **SHENZHEN AIKEGLOBAL INDUSTRIAL CO., LTD**, Shenzhen (CN)

(\*\*) Term: **15 Years**

(21) Appl. No.: **29/737,655**

(22) Filed: **Jun. 10, 2020**

(51) **LOC (12) Cl.** ..... **16-05**

(52) **U.S. Cl.**  
USPC ..... **D16/244; D16/243**

(58) **Field of Classification Search**  
USPC ..... D16/237-250, 219; D14/224, 229, 238, D14/251, 253, 447, 451, 457; D8/354, D8/355, 363, 373, 382-383, 394-396; D26/87, 92  
CPC ..... G03B 17/56; G03B 17/561-566; F16M 11/06-10; A45F 5/00; A45F 5/10  
See application file for complete search history.

(56) **References Cited**

**U.S. PATENT DOCUMENTS**

D552,660 S	*	10/2007	Lee	.....	D16/242
D632,720 S	*	2/2011	Barker	.....	D16/244
D720,384 S	*	12/2014	Holmen	.....	D16/244
D821,483 S	*	6/2018	Vitale	.....	D16/244
D829,267 S		9/2018	Zeng		
D857,085 S	*	8/2019	Yamaguchi	.....	D16/244
D860,296 S		9/2019	Lin		
D861,769 S	*	10/2019	Paterson	.....	D16/243
D864,282 S		10/2019	Liu		

D871,492 S	*	12/2019	Xiao	.....	D16/244
D882,672 S	*	4/2020	Xia	.....	D16/243
D893,582 S	*	8/2020	Vitale	.....	D16/244

(Continued)

**OTHER PUBLICATIONS**

Selfie Stick Tripod, 59.5" Extendable Tripod Stand, Phone Tripod Camera Tripod with Wireless Remote Shutter for iPhone & Android, Heavy Duty Aluminum, Vlogging/Streaming/Photography/Recording. [online] First available Jul. 1, 2020. Retrieved from URL: [https://www.amazon.com/dp/B087DWYPN6/ref=sspa\\_dk\\_detail\\_1?psc=1](https://www.amazon.com/dp/B087DWYPN6/ref=sspa_dk_detail_1?psc=1).\*

(Continued)

*Primary Examiner* — Vy N Koenig

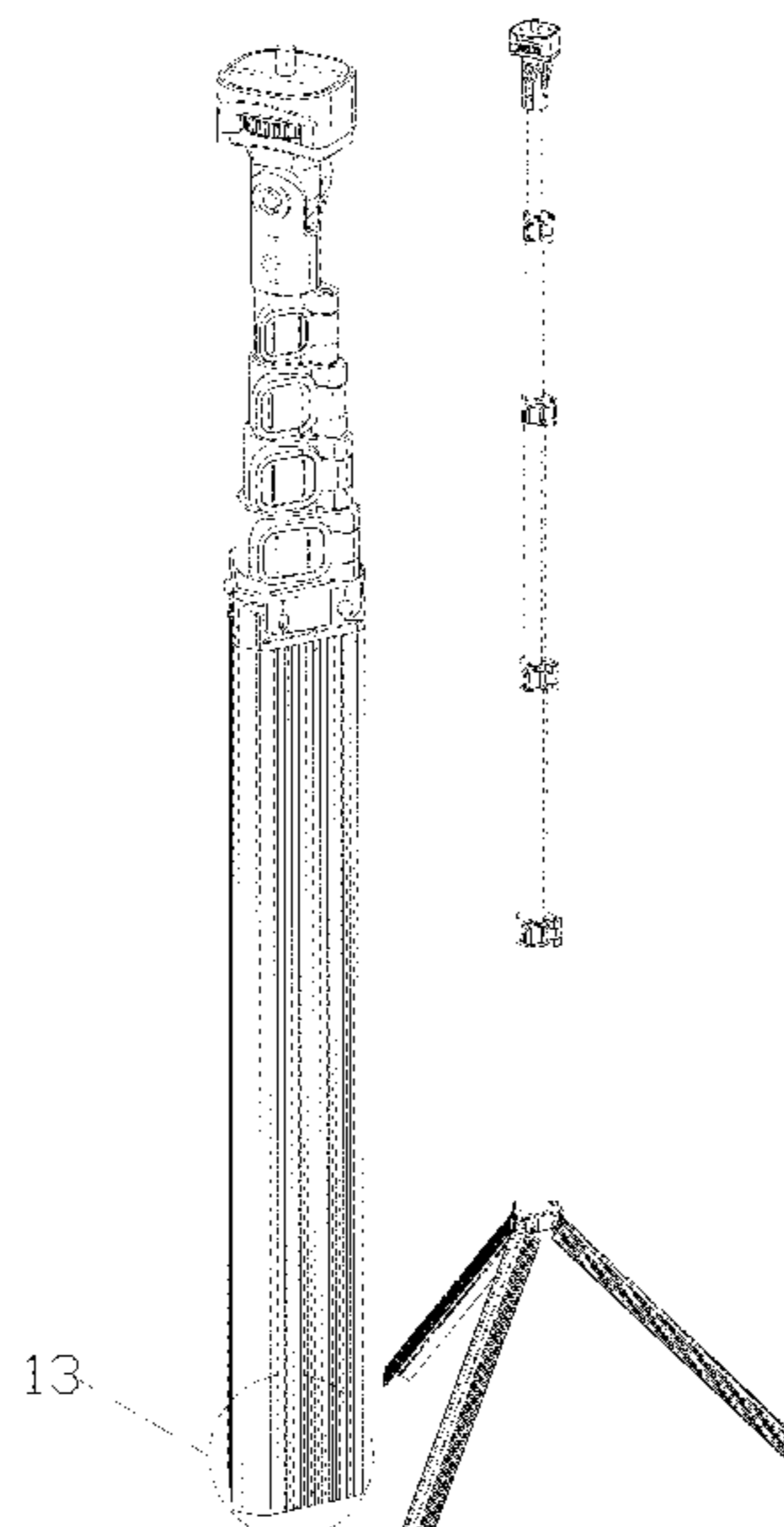
(57) **CLAIM**

The ornamental design for a tripod, as shown and described.

**DESCRIPTION**

FIG. 1 is a perspective view of a tripod showing my new design;  
FIG. 2 is another perspective view thereof;  
FIG. 3 is a front elevational view thereof;  
FIG. 4 is a rear elevational view thereof;  
FIG. 5 is a left side elevational view thereof;  
FIG. 6 is a right side elevational view thereof;  
FIG. 7 is a top plan view thereof;  
FIG. 8 is a bottom plan view thereof;  
FIG. 9 is a perspective view of the tripod where the tripod is in a first configuration of use;  
FIG. 10 is a perspective view of the tripod where the tripod is in a second configuration of use;  
FIG. 11 is an enlarged top plan view of the tripod;  
FIG. 12 is an enlarged bottom plan view of the tripod;  
FIG. 13 is an enlarged view of portion 13 shown in FIG. 1; and,  
FIG. 14 is an enlarged view of portion 14 shown in FIG. 2.  
The broken lines in the drawings depict portions of the tripod that form no part of the claimed design.

**1 Claim, 14 Drawing Sheets**



(56)

**References Cited**

U.S. PATENT DOCUMENTS

2008/0011344 A1\* 1/2008 Barker ..... F16M 11/28  
135/66  
2019/0003636 A1\* 1/2019 Wen ..... F16M 13/04

OTHER PUBLICATIONS

Syosin Selfie Ring Light with Tripod Stand and Phone Holder, 6.3" Rechargeable LED Dimmable Ring Light Selfie Stick Tripod . . . [online] First available Jun. 15, 2020. Retrieved from URL: [https://www.amazon.com/SYOSIN-Rechargeable-Dimmable-Bluetooth-Control/dp/B08B81GFNW/ref=sr\\_1\\_28?dchild=1&keywords=selfie+stick+t.\\*](https://www.amazon.com/SYOSIN-Rechargeable-Dimmable-Bluetooth-Control/dp/B08B81GFNW/ref=sr_1_28?dchild=1&keywords=selfie+stick+t.*)

\* cited by examiner

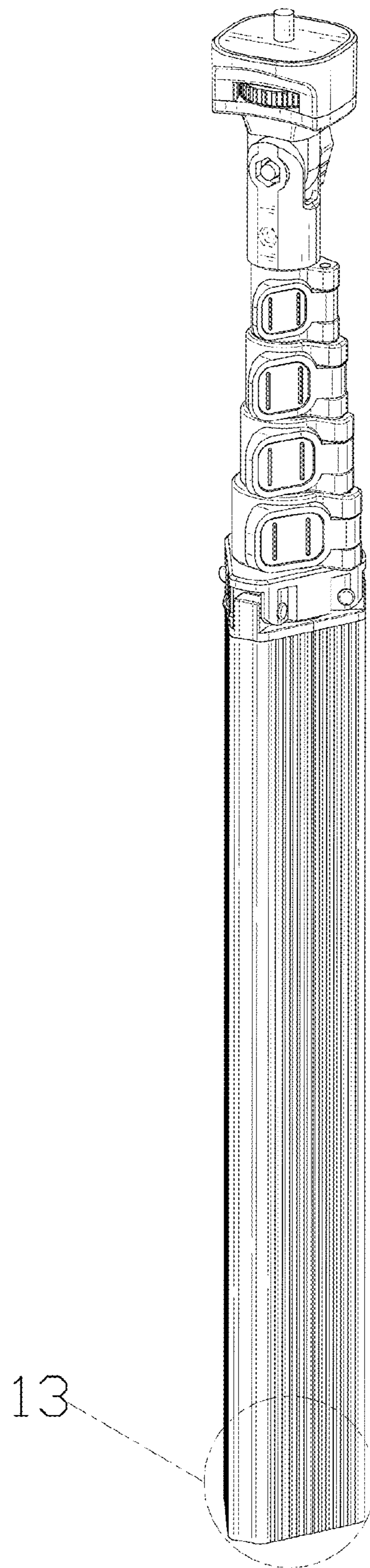


FIG. 1

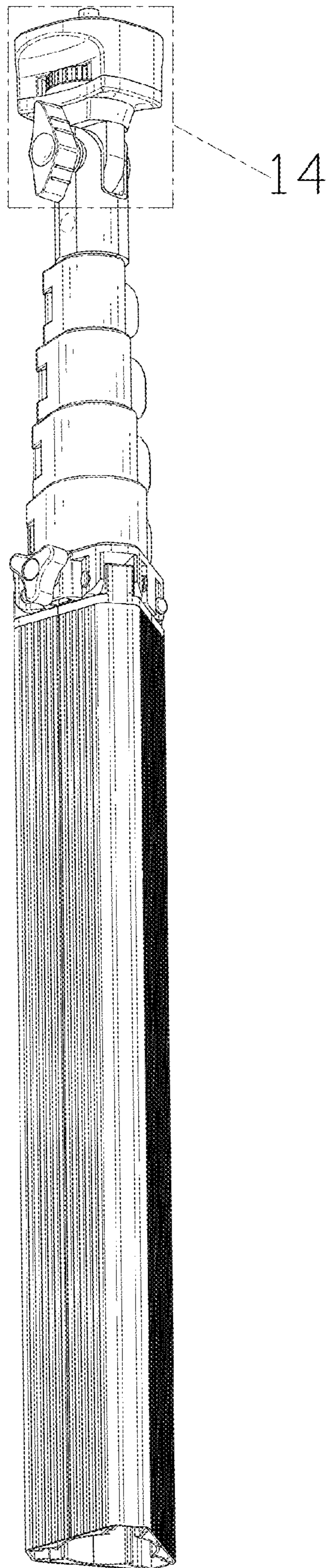


FIG. 2

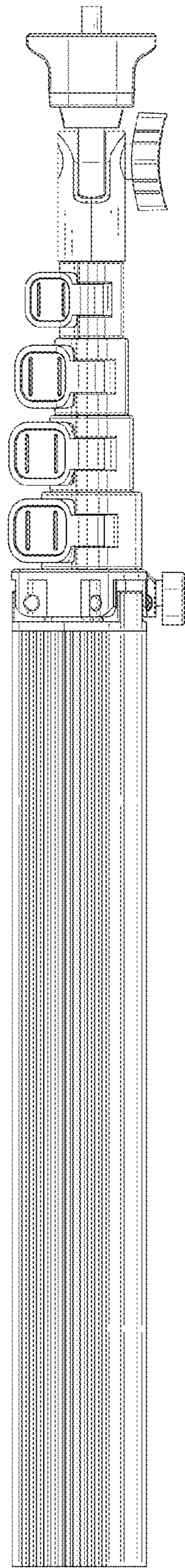


FIG. 3

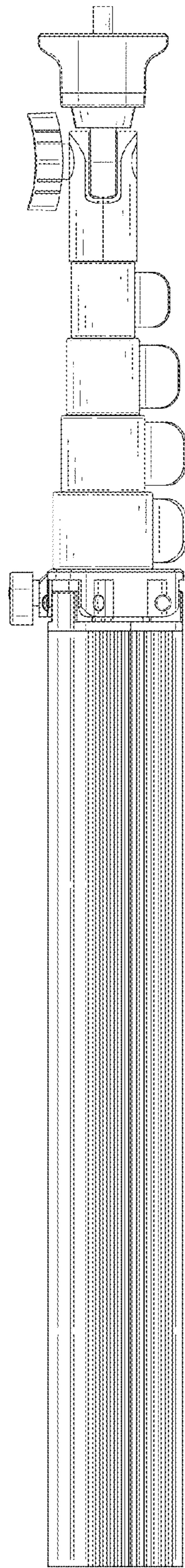


FIG. 4

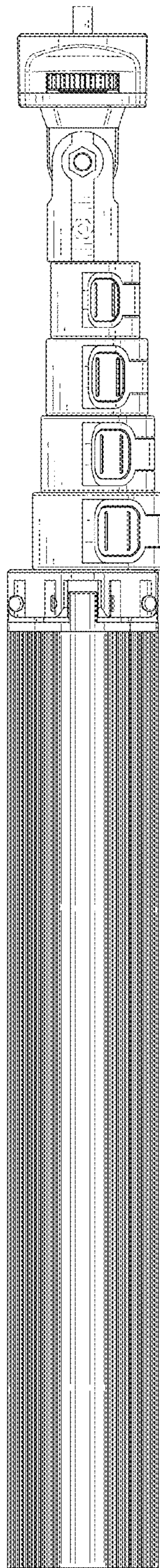


FIG. 5

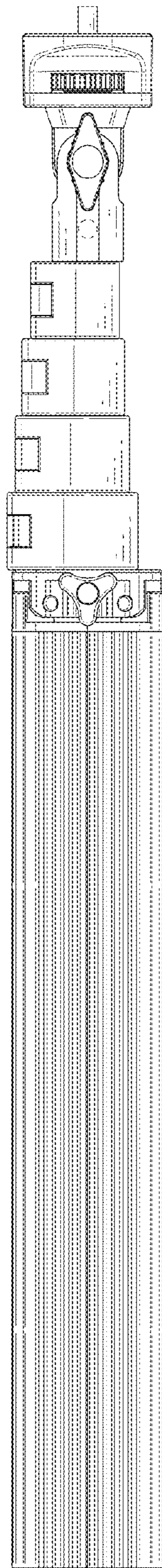


FIG. 6



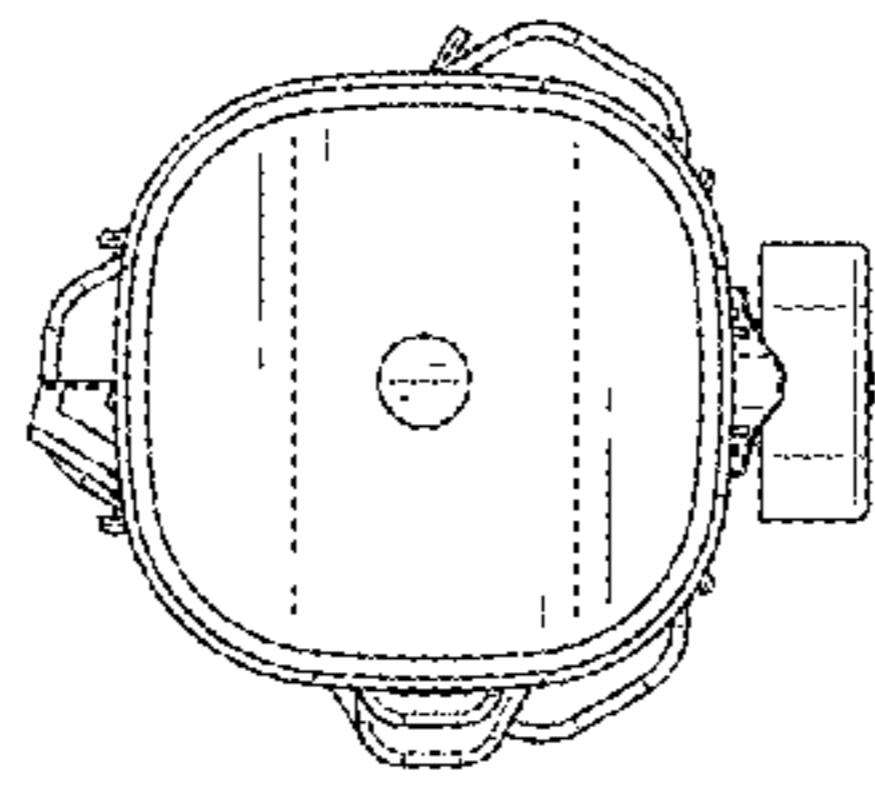


FIG. 7

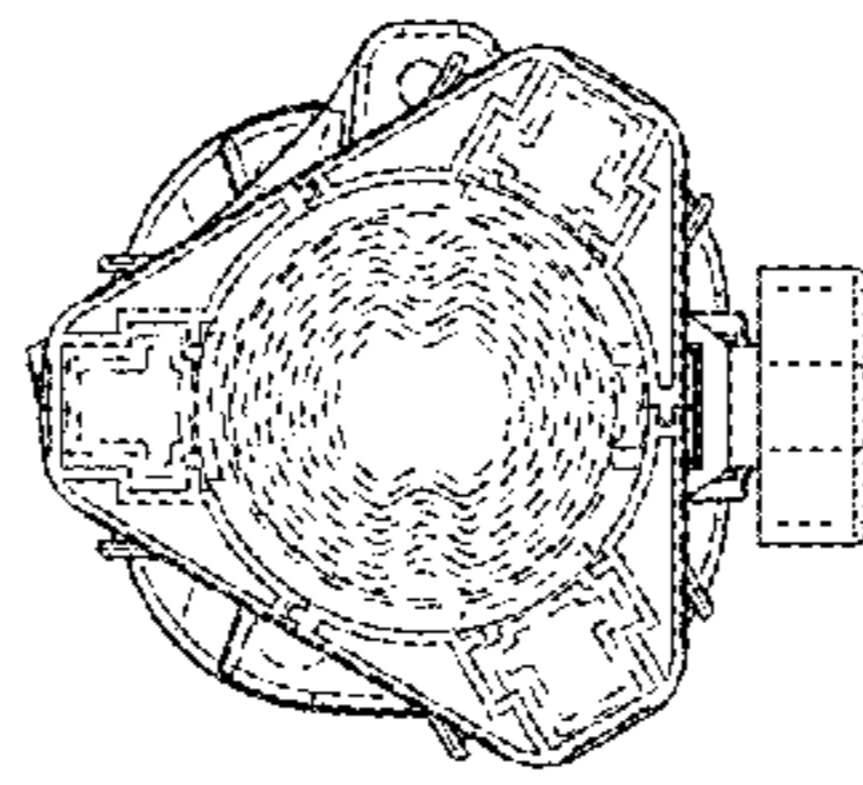


FIG. 8

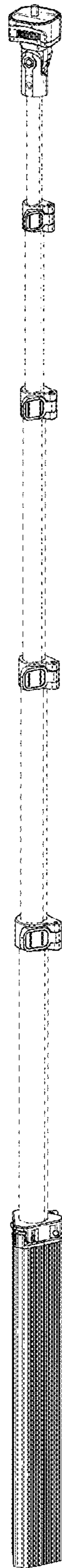


FIG. 9

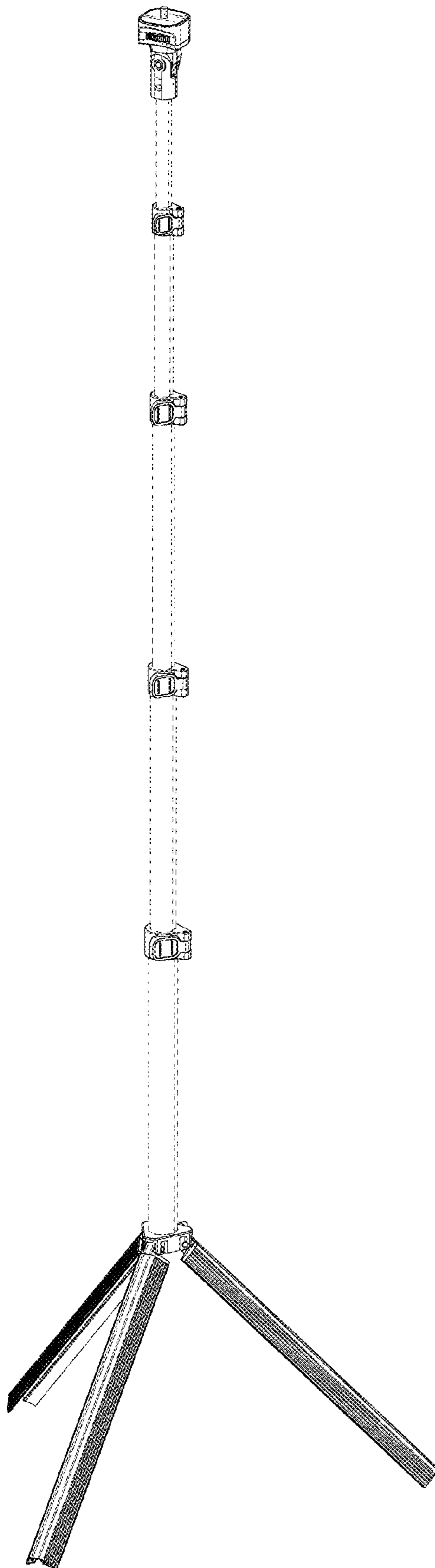


FIG. 10

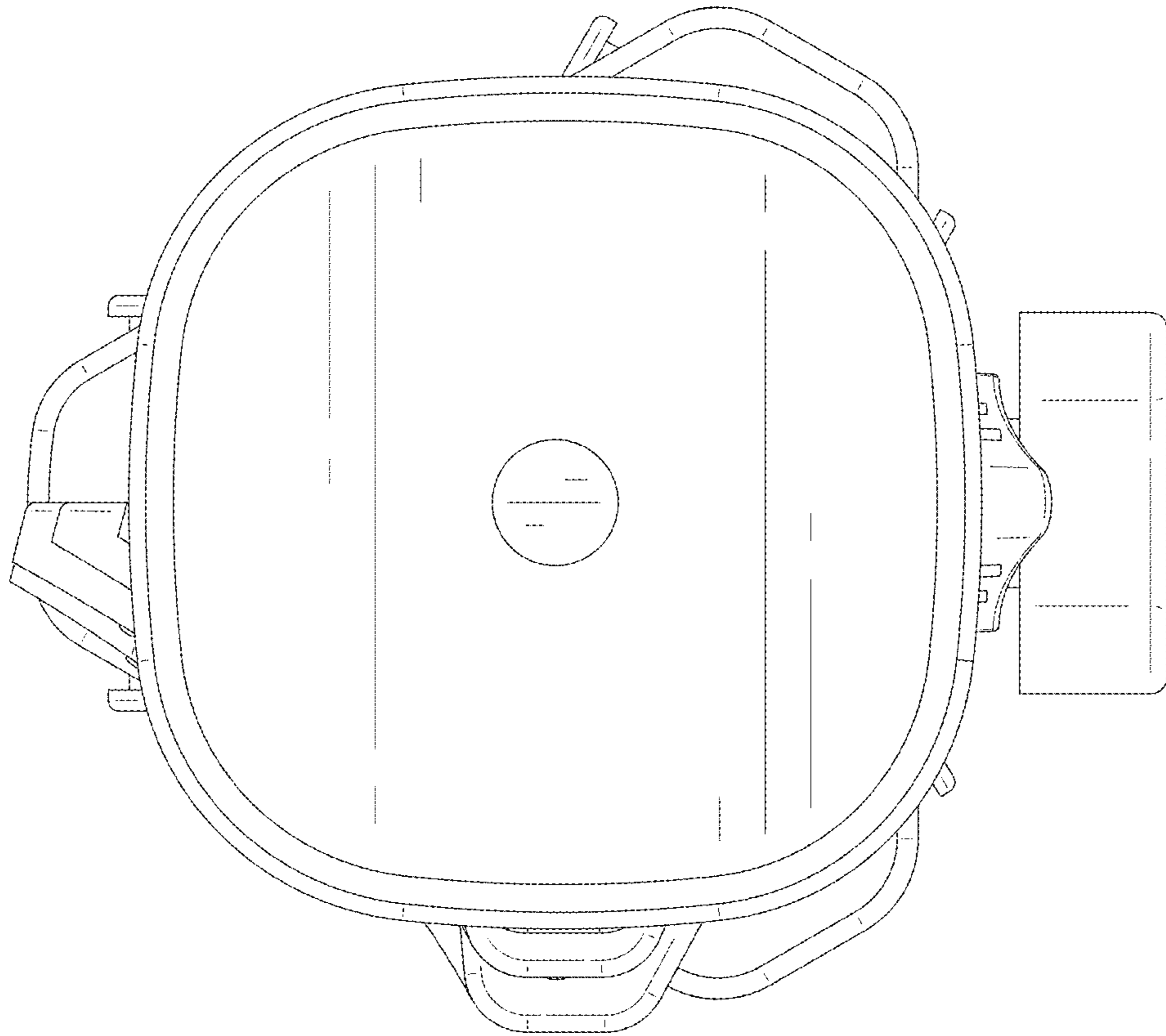


FIG. 11

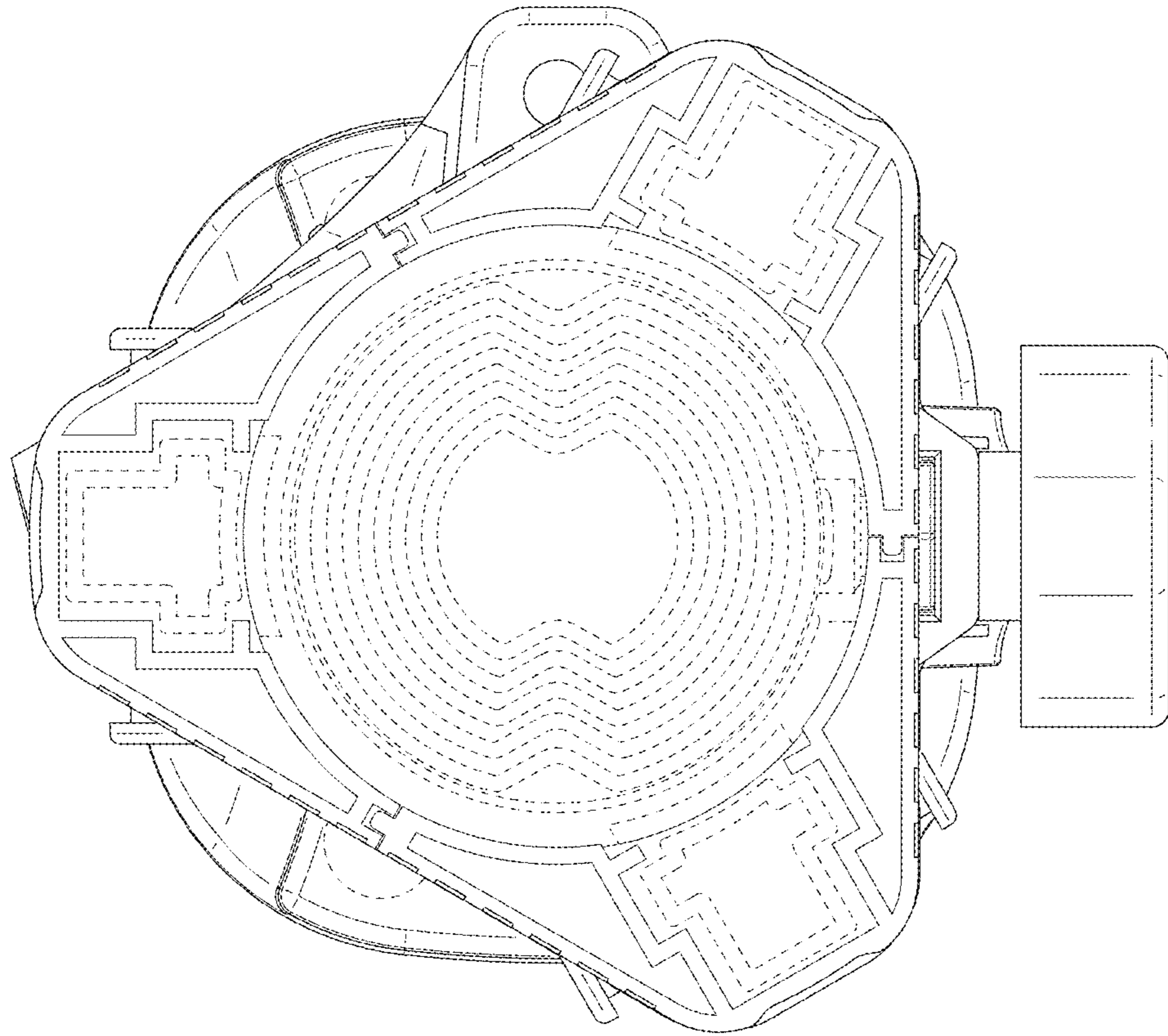


FIG. 12

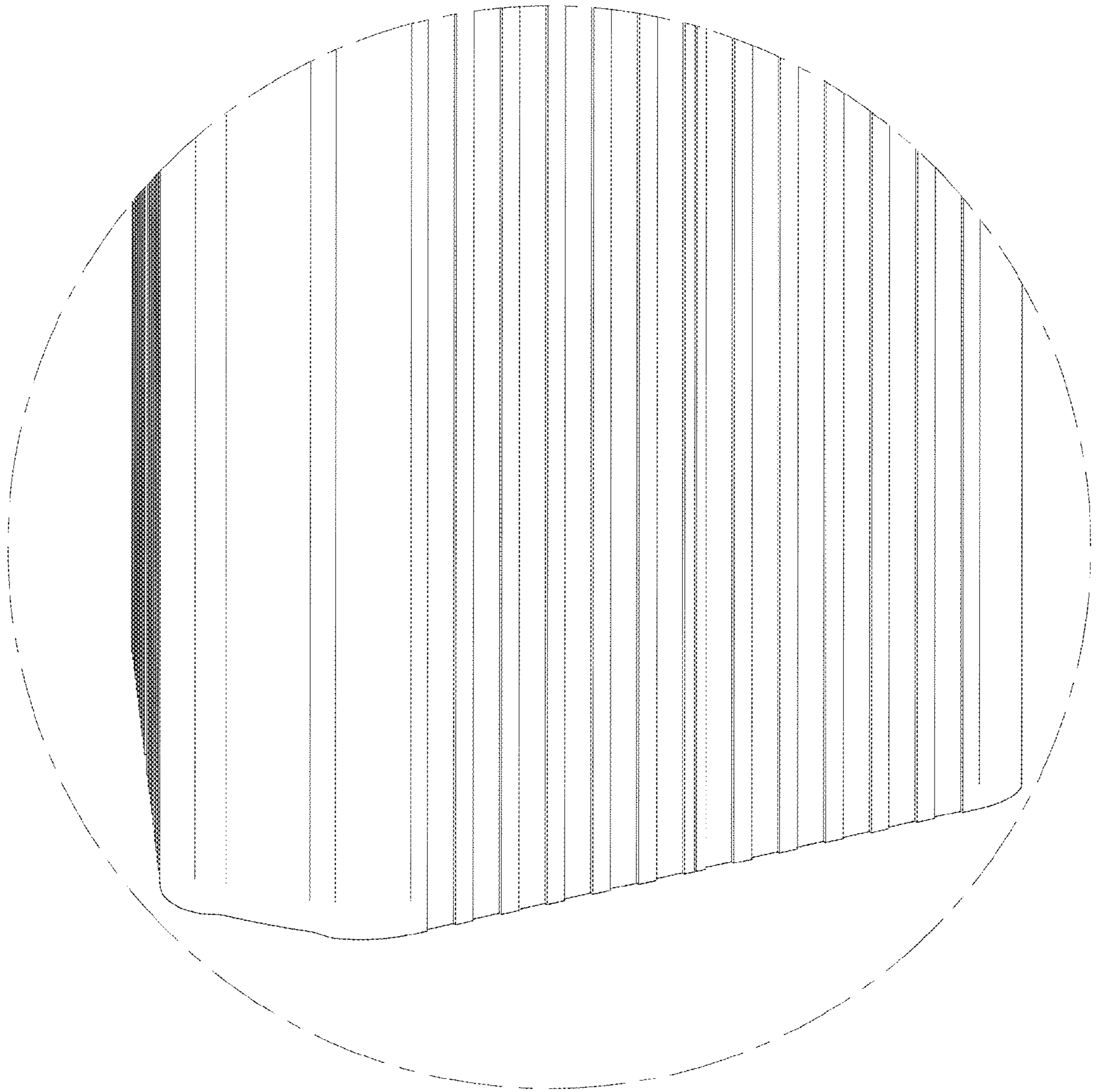


FIG. 13

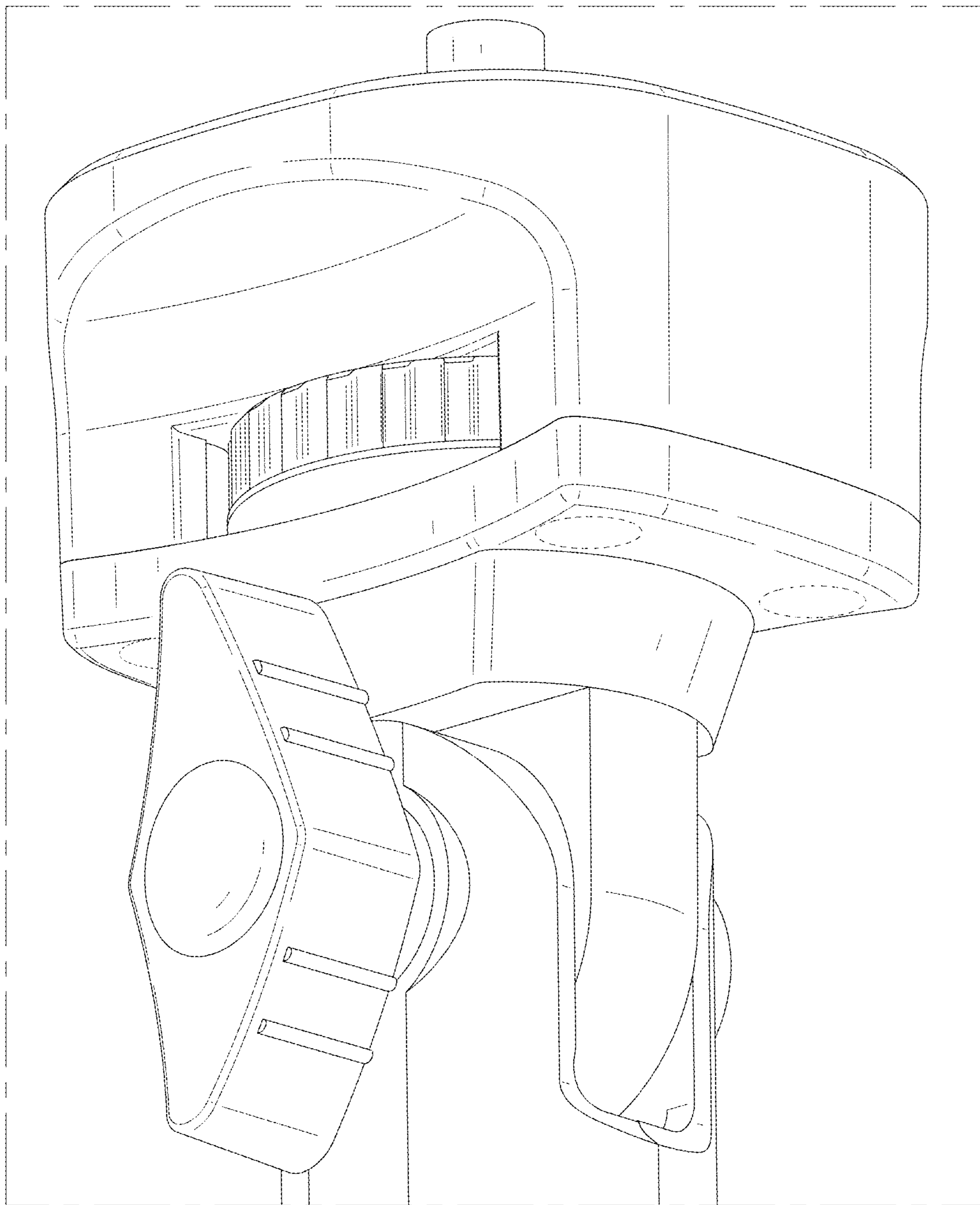


FIG. 14