



US00D899487S

(12) **United States Design Patent** (10) **Patent No.:** **US D899,487 S**  
**Kelley** (45) **Date of Patent:** **\*\* Oct. 20, 2020**

(54) **CAMERA MOUNT FOR RADAR GUN ASSEMBLY**

(71) Applicant: **Hollywood South Digital Post, Inc.**,  
Gresham, OR (US)

(72) Inventor: **Jerry Lowell Kelley**, Gresham, OR  
(US)

(73) Assignee: **Hollywood South Digital Post, Inc.**,  
Gresham, OR (US)

(\*\*) Term: **15 Years**

(21) Appl. No.: **29/675,238**

(22) Filed: **Dec. 28, 2018**

(51) **LOC (12) Cl.** ..... **16-05**

(52) **U.S. Cl.**  
USPC ..... **D16/242**; D22/109

(58) **Field of Classification Search**  
USPC ..... D16/219, 237–250; D8/354, 355, 363,  
D8/373, 382–383, 394–396; D14/224,  
D14/229, 238, 251, 253, 356, 447, 451,  
D14/457; D22/109–110  
CPC ..... A45F 5/00; A45F 5/10; A45F  
2200/0508–0533; F16M 11/06–10; F16M  
11/14; G02B 7/00–002; G03B 17/56;  
G03B 17/561–566; H04N 5/2253–2254  
See application file for complete search history.

(56) **References Cited**

**U.S. PATENT DOCUMENTS**

D287,703 S	1/1987	Kobos	
D296,385 S *	6/1988	Lenihan	D10/46
D581,439 S *	11/2008	Narita	D16/202
D674,525 S *	1/2013	Sharrah	D26/60
8,446,467 B2	5/2013	Tilton	
D732,634 S *	6/2015	Cheng	D22/109
D771,732 S *	11/2016	Russell	D14/253

9,488,439 B2 *	11/2016	Galli	F41G 11/003
9,791,230 B2 *	10/2017	Plourde	F41A 17/06
D806,820 S *	1/2018	Larsson	D22/109
D806,822 S *	1/2018	Bengtsson	D22/110
D819,160 S *	5/2018	Hamilton	D22/109
D851,527 S *	6/2019	Kelley	D10/103
10,344,959 B2 *	7/2019	Worman	F21V 19/004

(Continued)

**OTHER PUBLICATIONS**

U.S. Appl. No. 29/631,491 / Notice of Allowance and Fees Due,  
dated Mar. 1, 2019, 2 pages.

(Continued)

*Primary Examiner* — Vy N Koenig  
(74) *Attorney, Agent, or Firm* — Berkeley Law &  
Technology Group LLP

(57) **CLAIM**

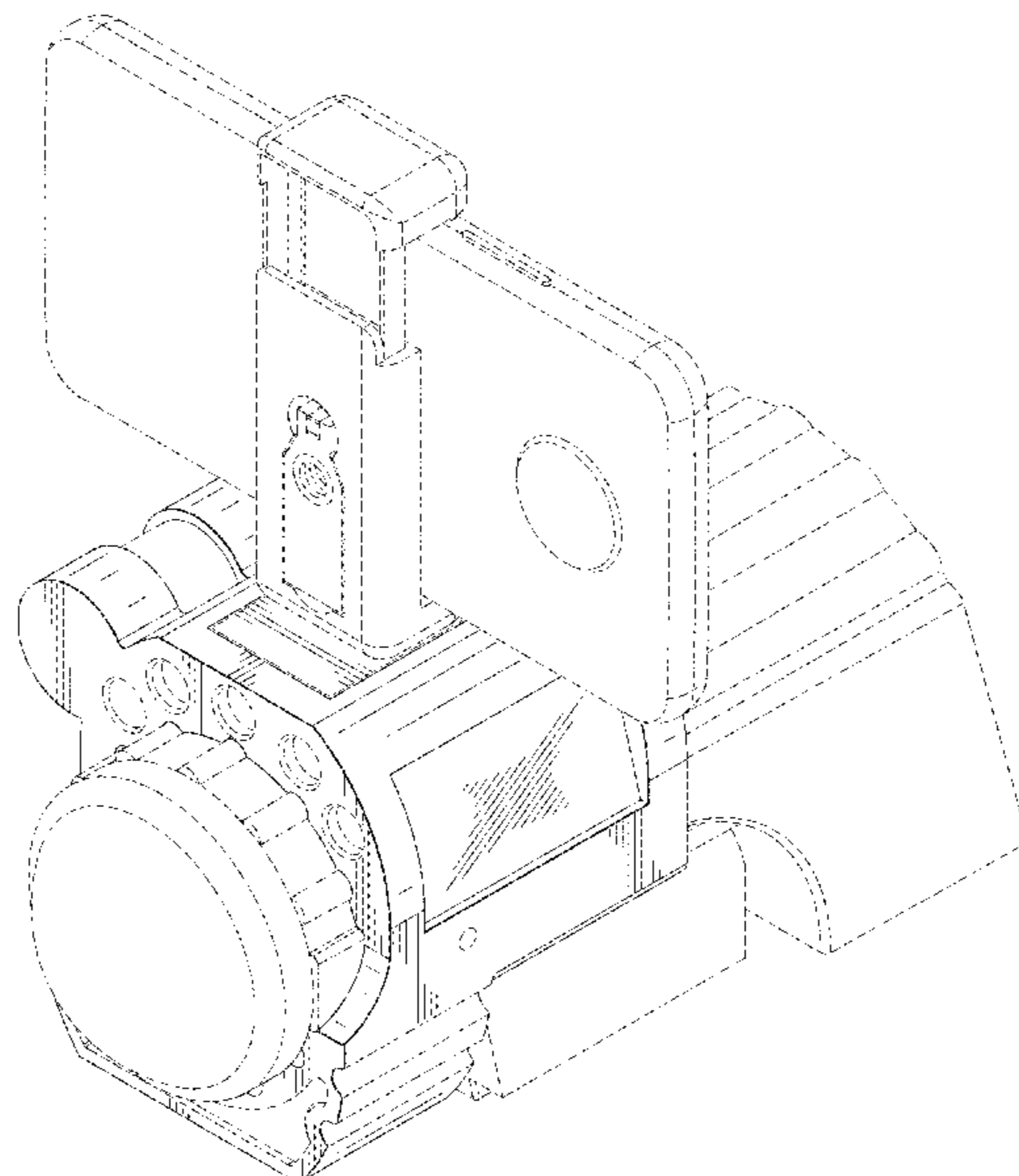
The ornamental design for a camera mount for a radar gun  
assembly, as shown and described.

**DESCRIPTION**

This application claims the benefit of and priority to con-  
currently filed U.S. patent application Ser. No. 16/236,241,  
entitled “One or More Camera Mounts for Radar Gun  
Assembly” filed on Dec. 28, 2018, the foregoing patent  
application, in its entirety, being herein incorporated by  
reference and being assigned to the assignee of the currently  
claimed subject matter.

FIG. 1 is a front perspective view of a camera mount for a  
radar gun assembly showing my new design;  
FIG. 2 is a front elevation view thereof;  
FIG. 3 is a right side view thereof;  
FIG. 4 is a left side view thereof; and,  
FIG. 5 is a top plan view thereof.  
The broken lines are directed to environment; the broken  
lines form no part of the claimed design.

**1 Claim, 5 Drawing Sheets**



(56)

**References Cited**

U.S. PATENT DOCUMENTS

D860,189 S \* 9/2019 Gu ..... D14/253  
D873,946 S \* 1/2020 Hedeem ..... D22/109

OTHER PUBLICATIONS

U.S. Appl. No. 29/631,491 / Issue Fee Payment, dated Apr. 23, 2019, 1 page.  
NeTV Main Page—Studio Kousagi Wiki, [https://www.kosagi.com/w/index.php?title=NeTV\\_Main\\_Page](https://www.kosagi.com/w/index.php?title=NeTV_Main_Page), accessed Jan. 10, 2018, 3 pages.  
RA-VID ProSport, “All-In-One” Video Camera, Radar Gun & Stopwatch, marketing material, 2 pages.  
Andrew Huang (hacker) Wikipedia article, [https://en.wikipedia.org/wiki/Andrew\\_Huang\\_\(hacker\)](https://en.wikipedia.org/wiki/Andrew_Huang_(hacker)), accessed Jan. 10, 2018, 4 pages.  
Statcast Wikipedia article, <https://en.wikipedia.org/wiki/Statcast>, accessed Jan. 25, 2018, 5 pages.  
U.S. Appl. No. 15/859,302, filed Dec. 29, 2017, 77 pages.  
U.S. Appl. No. 15/859,302 / Notice to File Missing Parts, Jan. 16, 2018, 2 pages.

U.S. Appl. No. 15/859,302, filed Jan. 16, 2018, 3 pages.  
U.S. Appl. No. 15/859,302 / Applicant Response to Pre-Exam Formalities Notice, Mar. 5, 2018, 4 pages.  
U.S. Appl. No. 15/859,302, filed Mar. 8, 2018, 3 pages.  
U.S. Appl. No. 15/859,302 / Preliminary Amendment, dated May 4, 2018, 4 pages.  
U.S. Appl. No. 16/236,241, filed Dec. 28, 2018, 100 pages.  
U.S. Appl. No. 29/631,491, filed Dec. 29, 2017, 13 pages.  
U.S. Appl. No. 29/631,491 / Notice to File Missing Parts, Feb. 9, 2018, 2 pages.  
U.S. Appl. No. 29/631,491, filed Feb. 9, 2018, 3 pages.  
U.S. Appl. No. 29/631,491 / Applicant Response to Pre-Exam Formalities Notice, dated Apr. 8, 2018, 4 pages.  
U.S. Appl. No. 29/631,491, filed Apr. 10, 2018, 3 pages.  
U.S. Appl. No. 16/236,241, filed Jan. 9, 2019, 3 pages.  
U.S. Appl. No. 16/236,241 / Request for Corrected Filing Receipt, Jan. 24, 2019, 156 pages.  
U.S. Appl. No. 16/236,241, filed Jan. 29, 2019, 3 pages.  
U.S. Appl. No. 29/631,491 / Applicant Arguments/Remarks Made in an Amendment, dated Jan. 24, 2019, 6 pages.  
U.S. Appl. No. 29/631,491 / Notice of Allowance and Fees Due, dated Jan. 25, 2019, 7 pages.

\* cited by examiner

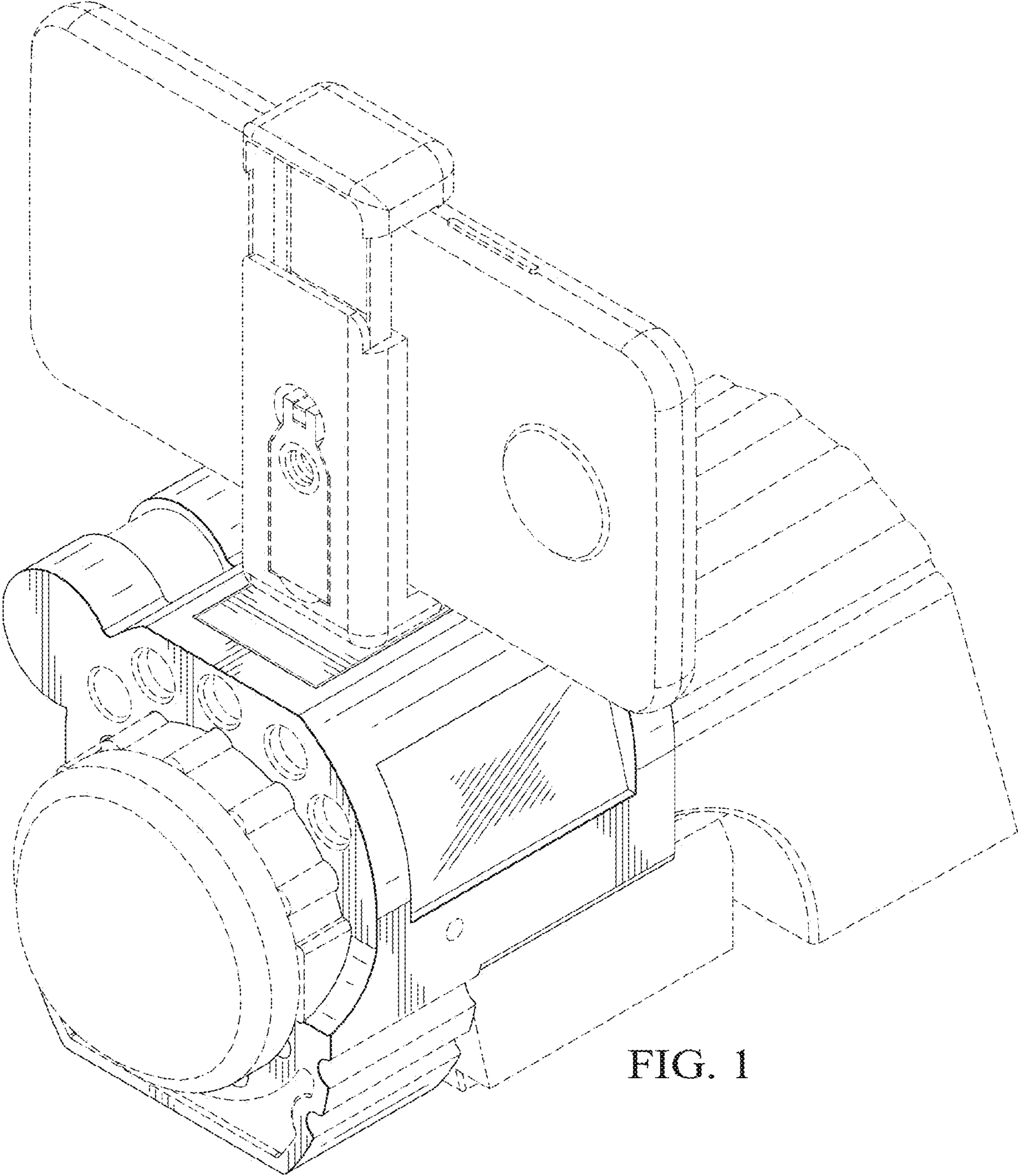


FIG. 1

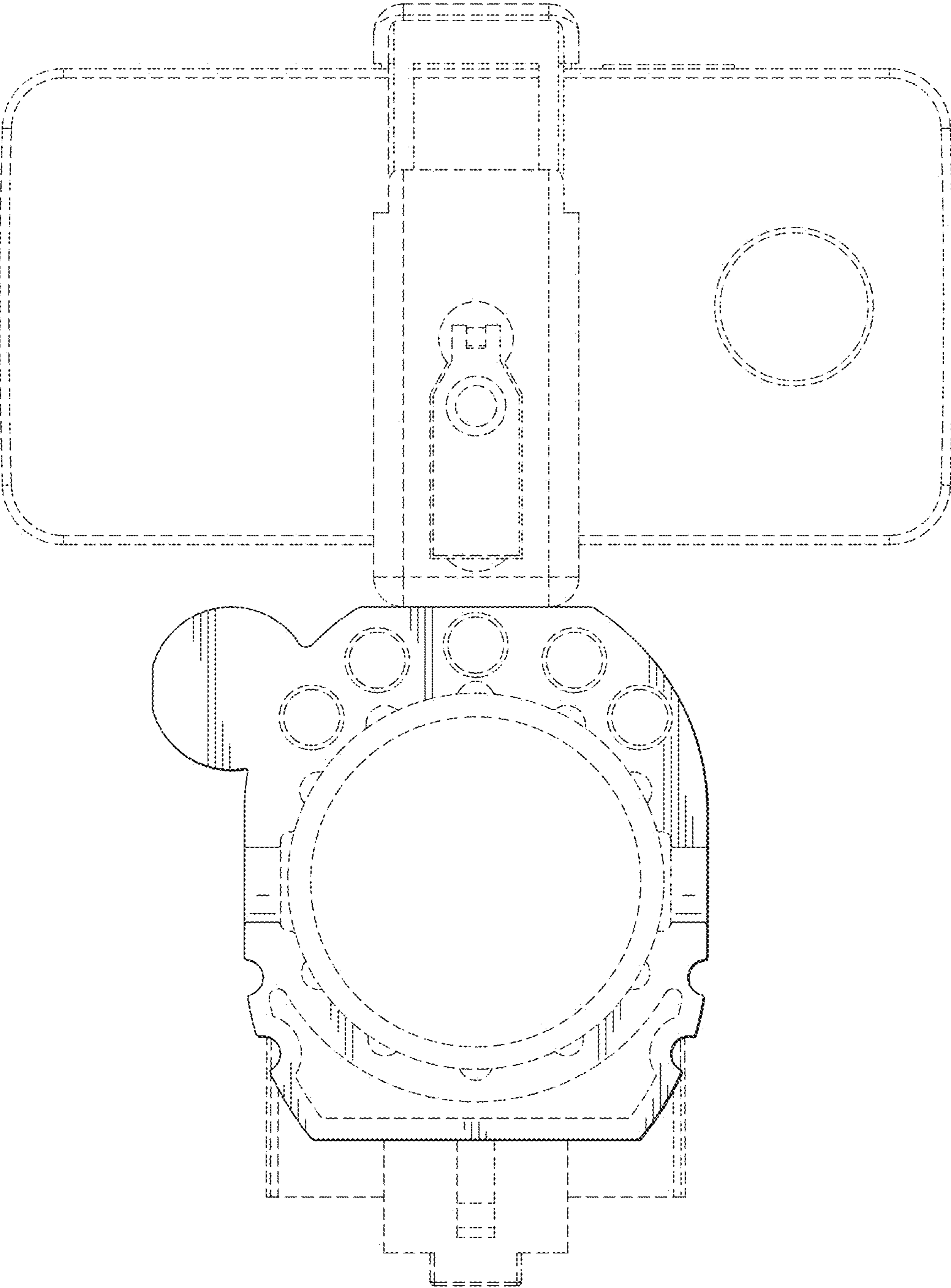


FIG. 2

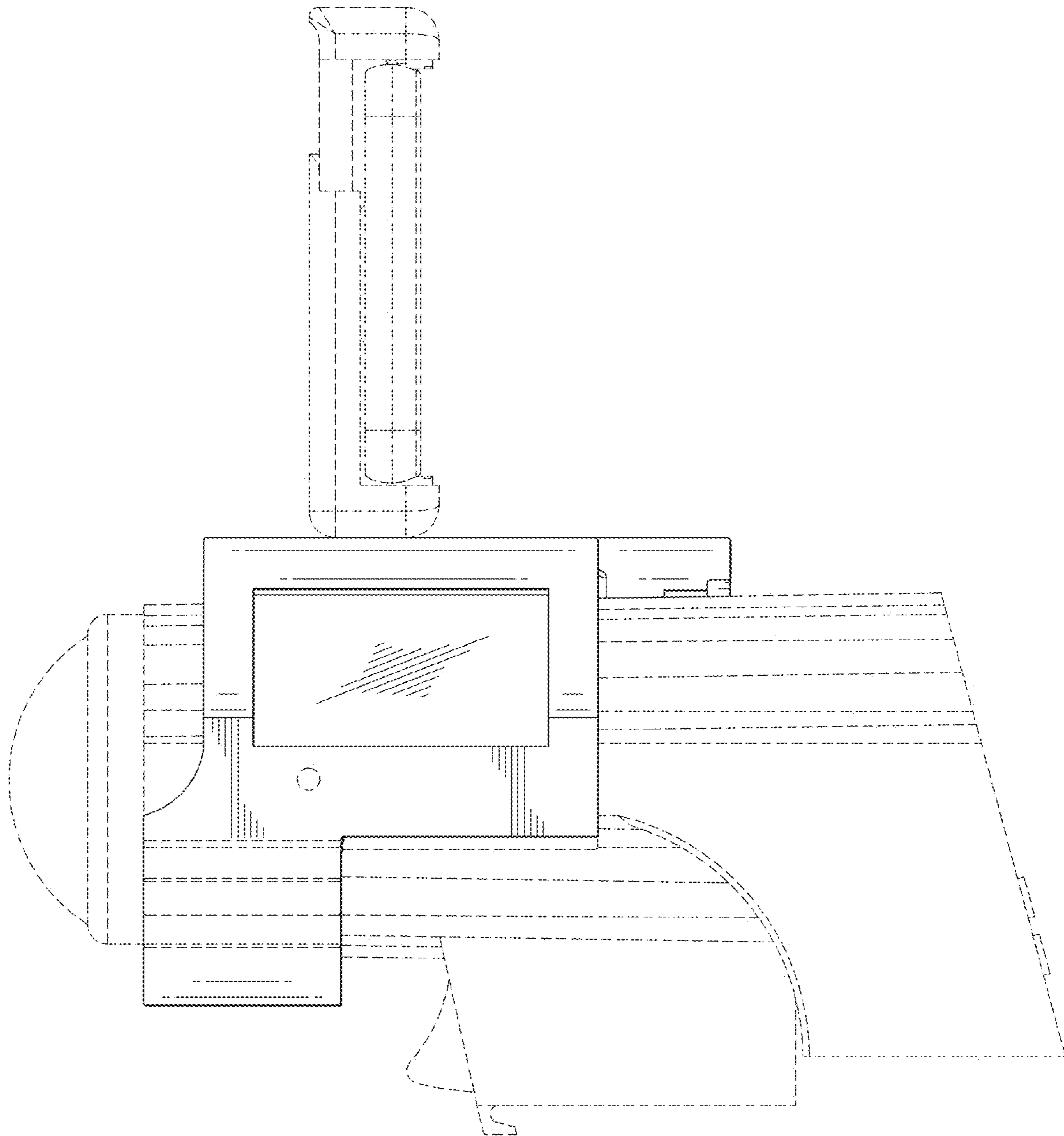


FIG. 3

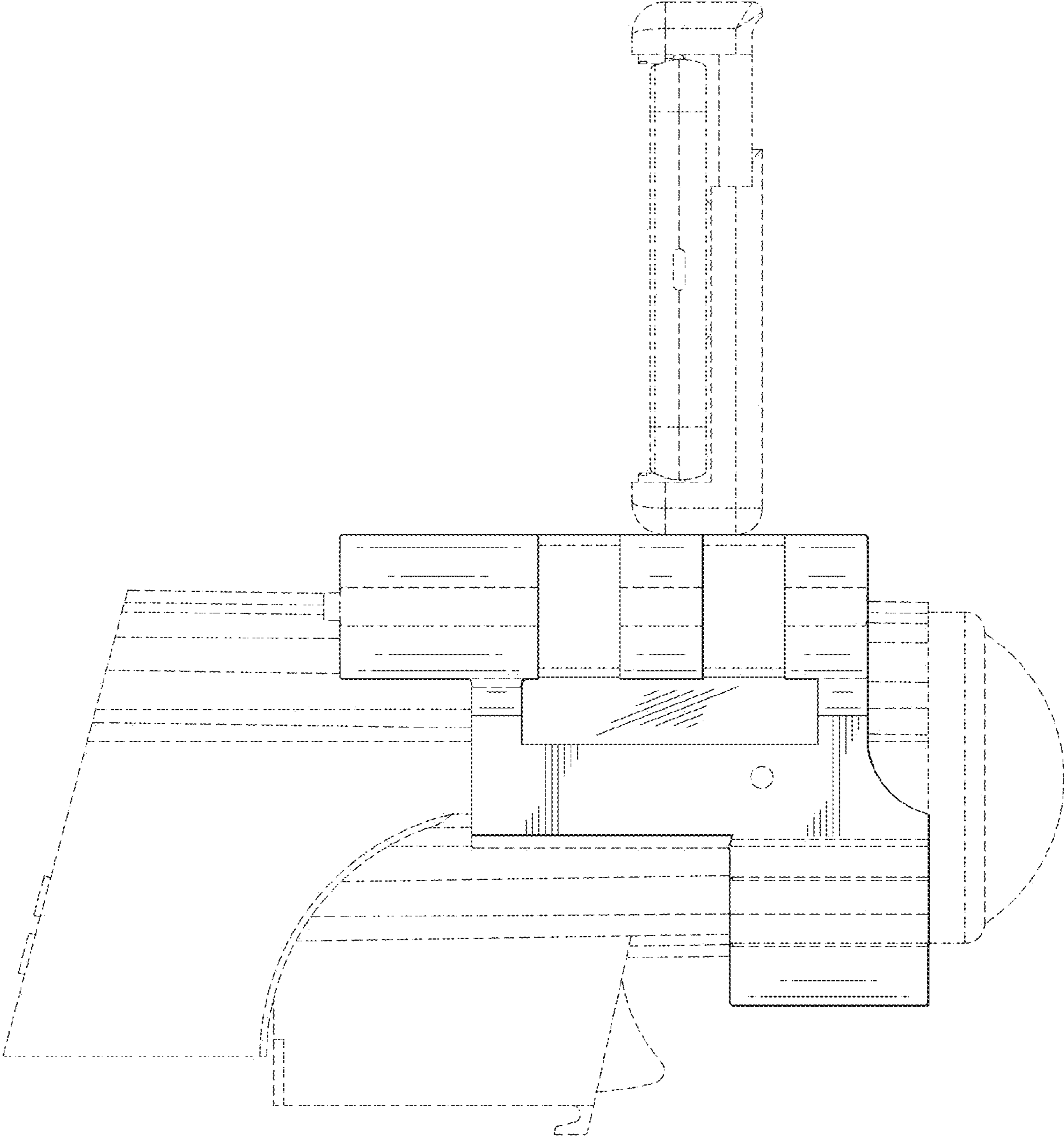


FIG. 4

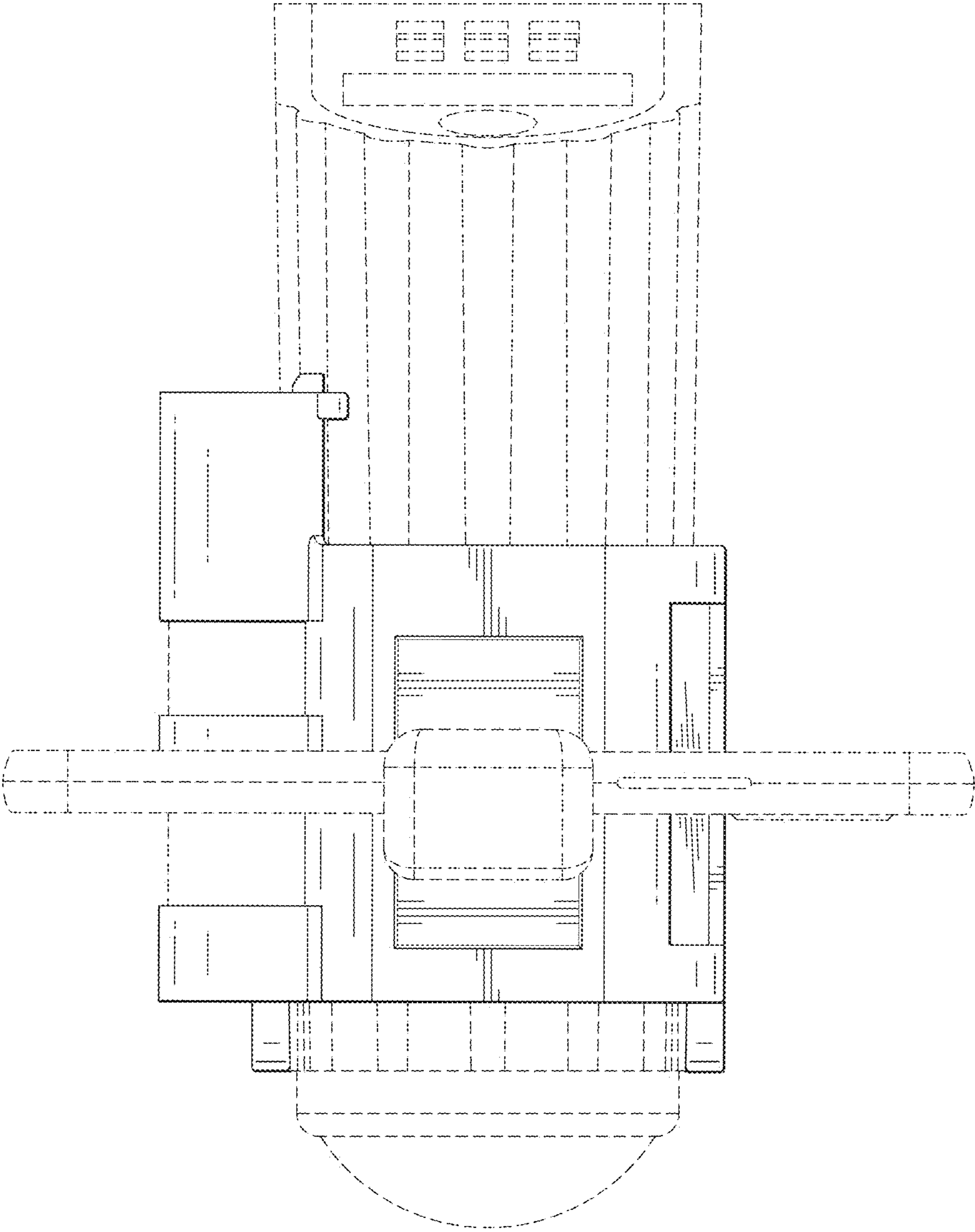


FIG. 5