



US00D899484S

(12) **United States Design Patent** (10) **Patent No.:** **US D899,484 S**
Harju et al. (45) **Date of Patent:** **** Oct. 20, 2020**

(54) **CAMERA**

(71) Applicant: **Microsoft Corporation**, Redmond, WA (US)

(72) Inventors: **Jonne Aapi Harju**, Seattle, WA (US);
Young Soo Kim, Bellevue, WA (US);
Kae-Ling J. Gurr, Seattle, WA (US);
Timothy G. Escolin, Seattle, WA (US);
Simon Cameron Dearsley, Bellevue, WA (US);
Go Osaki, Shenzhen (CN);
Yan Shang, Redmond, WA (US)

(73) Assignee: **Microsoft Corporation**, Redmond, WA (US)

(**) Term: **15 Years**

(21) Appl. No.: **29/689,649**

(22) Filed: **Apr. 30, 2019**

(51) **LOC (12) Cl.** **16-01**

(52) **U.S. Cl.**
USPC **D16/218**

(58) **Field of Classification Search**
USPC D16/200, 202–206, 218, 219, 242;
348/143, 148, 151, 373–376; 396/419,
396/427, 535, 539–541
CPC G03B 17/02; G03B 19/04; G03B 17/56;
G03B 17/04; G03B 15/03; H04N 5/2251;
H04N 5/2252; H04N 5/2253; H04N
5/2254; H04N 7/181; H04N 7/183; H04N
7/18; G08B 13/1963; G08B 13/19619;
G08B 13/19632; F16M 11/04; F16M
13/00

See application file for complete search history.

(56) **References Cited**

U.S. PATENT DOCUMENTS

| | | | |
|--------------|---------|------------------|---------|
| D349,714 S * | 8/1994 | Hasegawa | D16/203 |
| D500,511 S * | 1/2005 | Sybilrud | D16/203 |
| D509,842 S * | 9/2005 | Ou | D16/202 |
| D589,995 S * | 4/2009 | Kellar | D16/203 |
| D600,206 S | 9/2009 | Ledbetter et al. | |
| D624,577 S | 9/2010 | Kujawski et al. | |
| D647,937 S | 11/2011 | Raken et al. | |
| D696,329 S * | 12/2013 | Horiki | D16/203 |
| D715,348 S * | 10/2014 | Peacock | D16/203 |
| D839,337 S * | 1/2019 | Novak | D16/203 |
| D855,584 S * | 8/2019 | Laine | D14/216 |
| D866,639 S * | 11/2019 | Fang | D16/203 |

* cited by examiner

Primary Examiner — Ramzi S Almatrahi

(74) *Attorney, Agent, or Firm* — Banner & Witcoff, Ltd.

(57) **CLAIM**

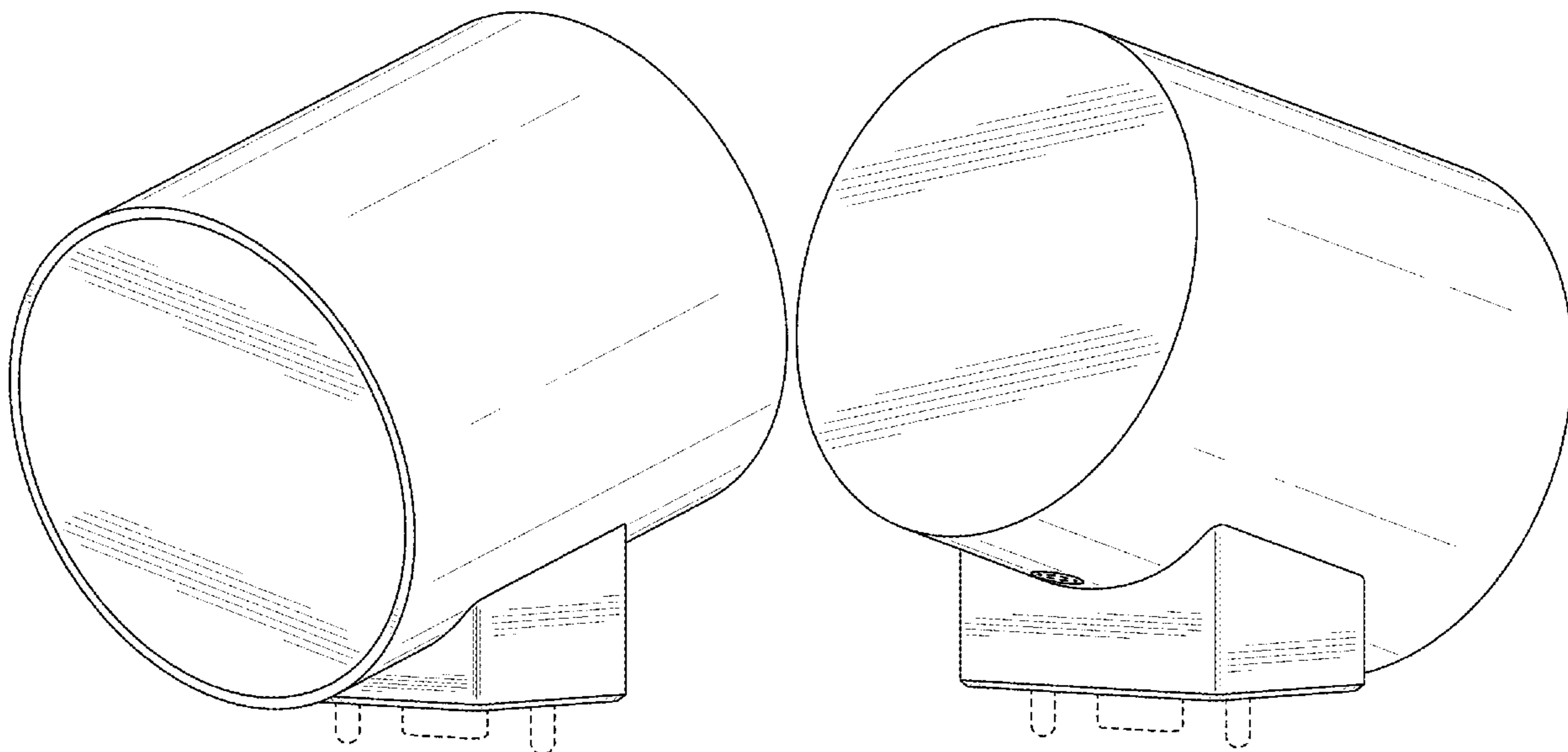
The ornamental design for a camera, as shown and described.

DESCRIPTION

FIG. 1 is a front perspective view of a camera showing our new design;
FIG. 2 is a rear perspective view thereof;
FIG. 3 is a front view thereof;
FIG. 4 is a rear view thereof;
FIG. 5 is a top view thereof;
FIG. 6 is a bottom view thereof;
FIG. 7 is a right side view thereof; and,
FIG. 8 is a left side view thereof.

The broken lines depict portions of the camera in which the design is embodied that form no part of the claimed design.

1 Claim, 6 Drawing Sheets



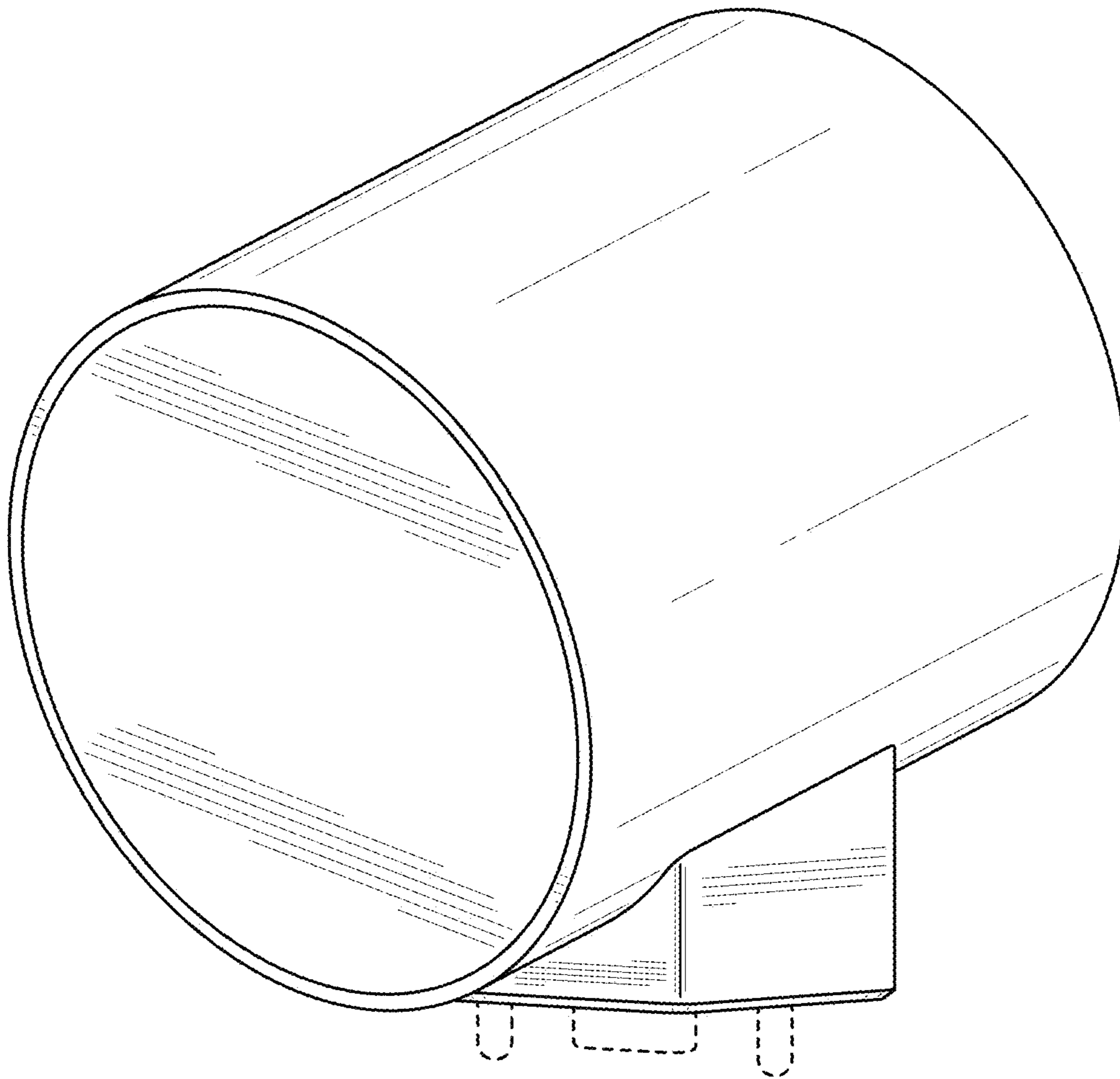


FIG. 1

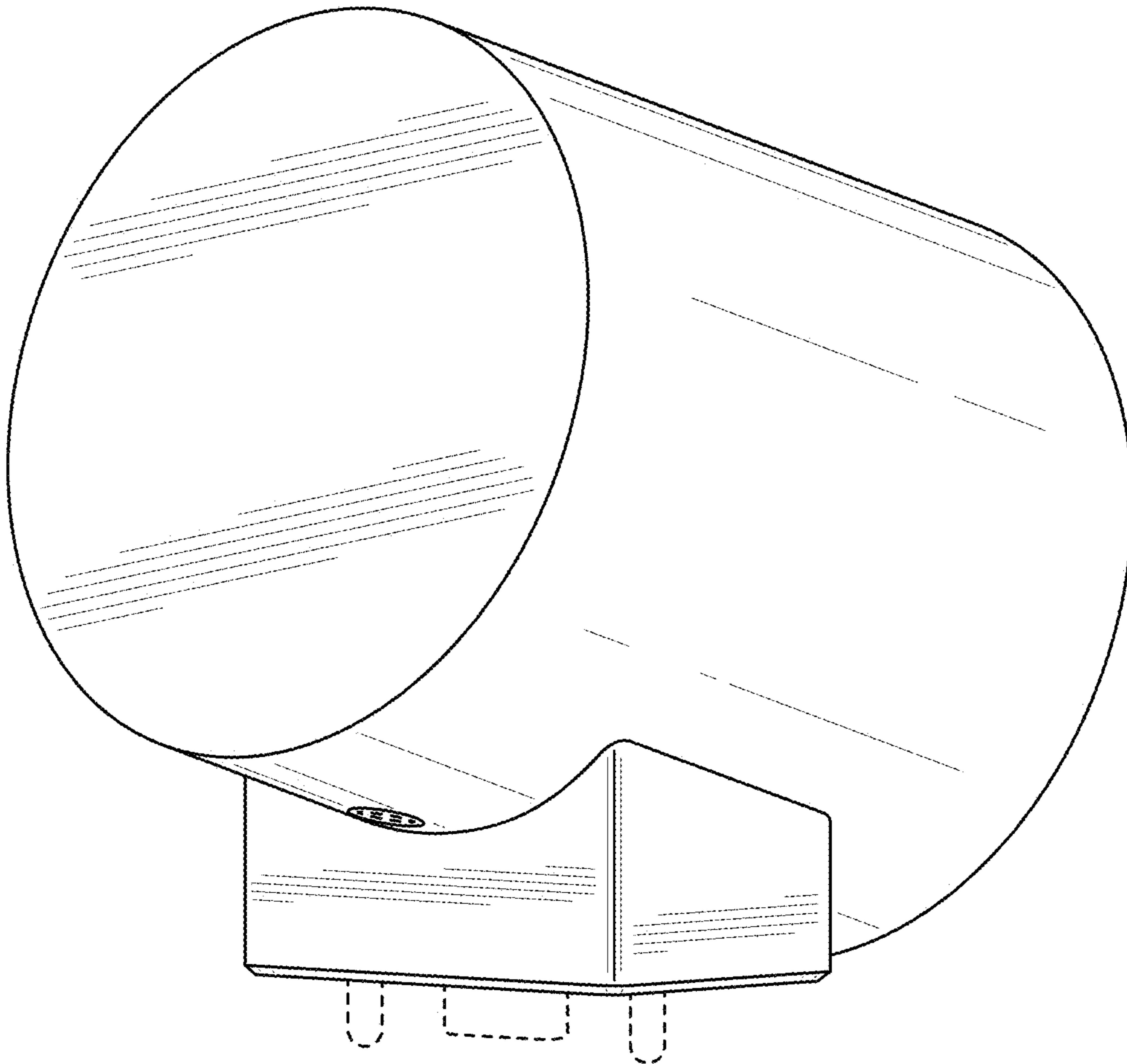


FIG. 2

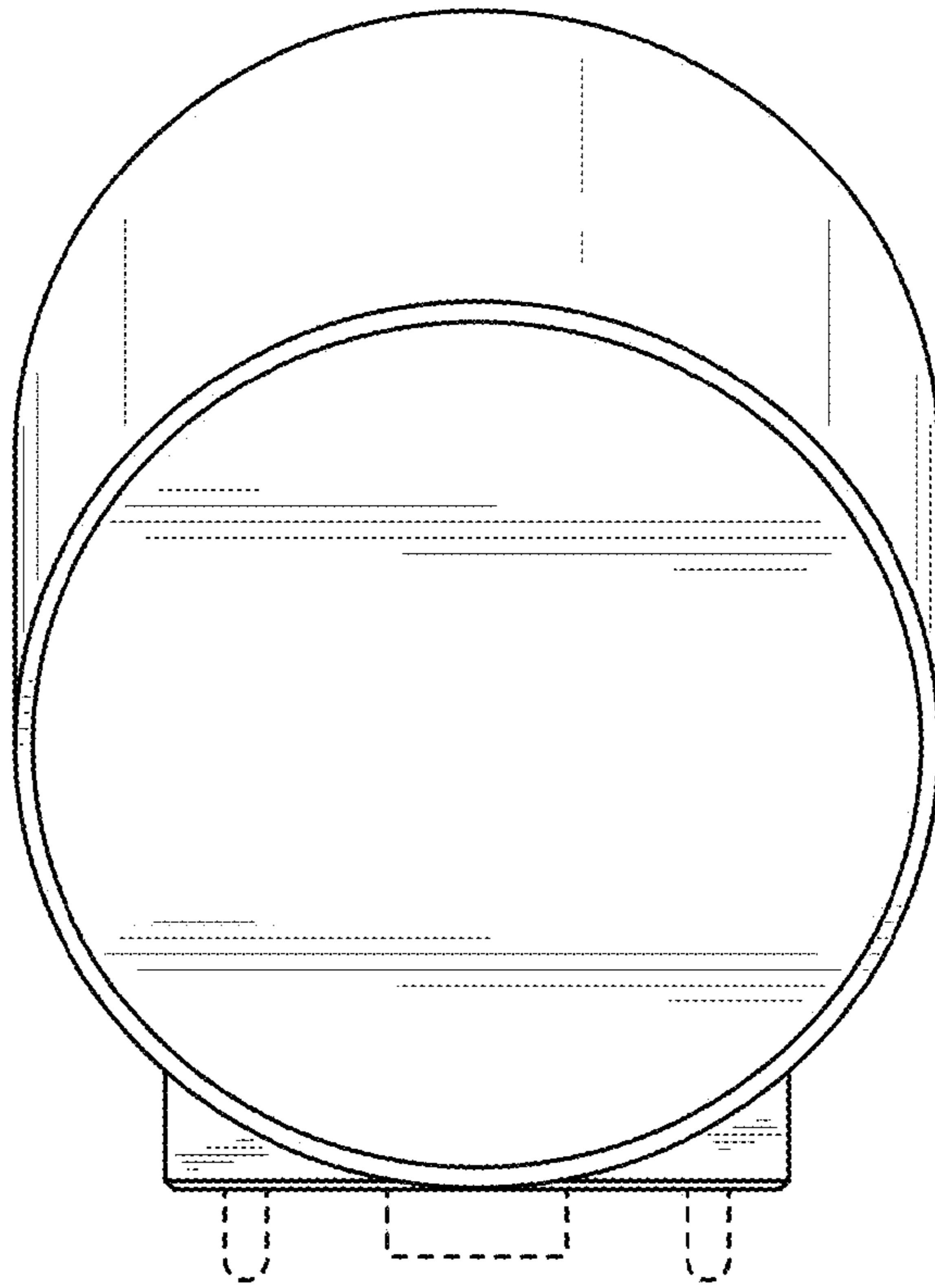


FIG. 3

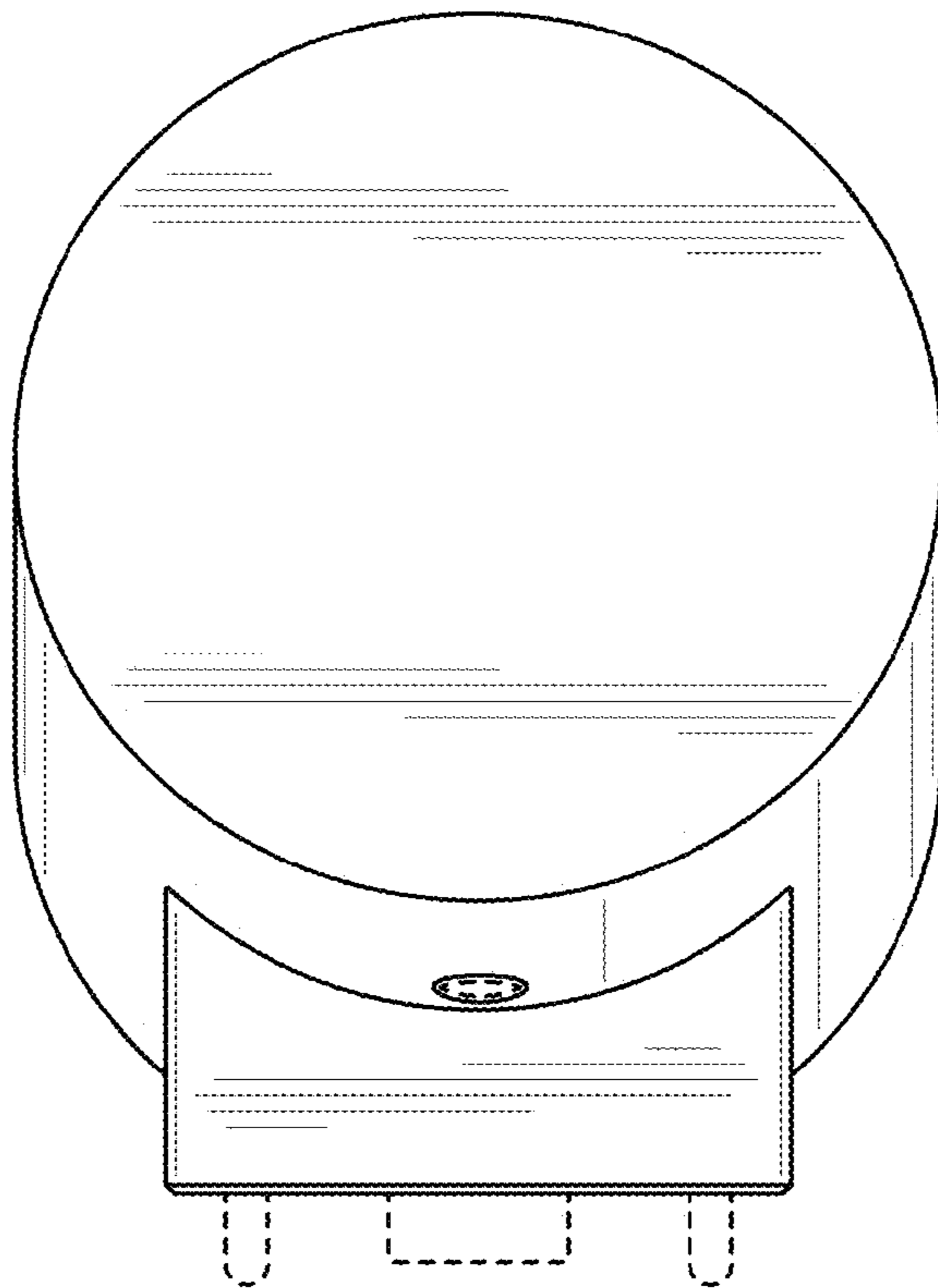


FIG. 4

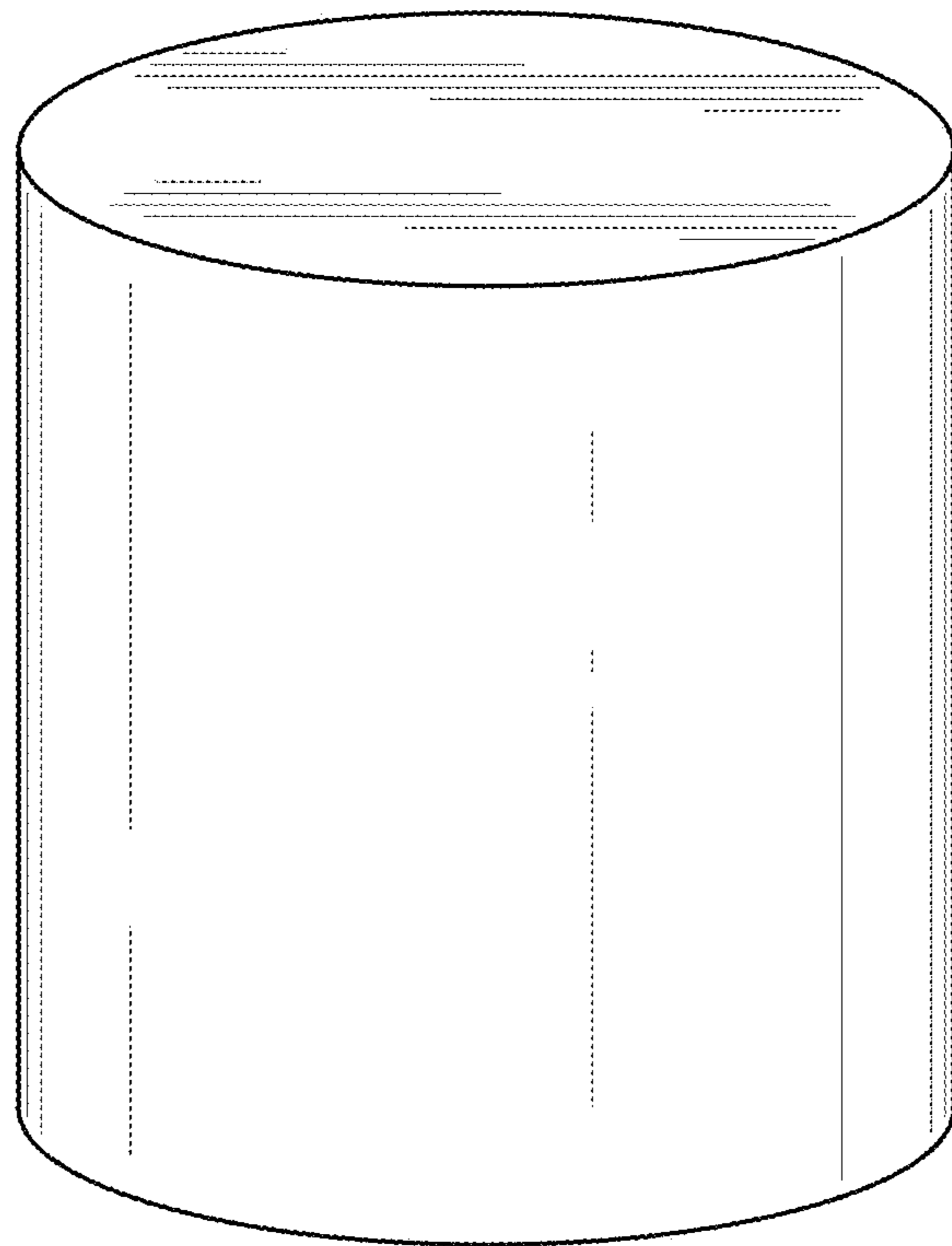


FIG. 5

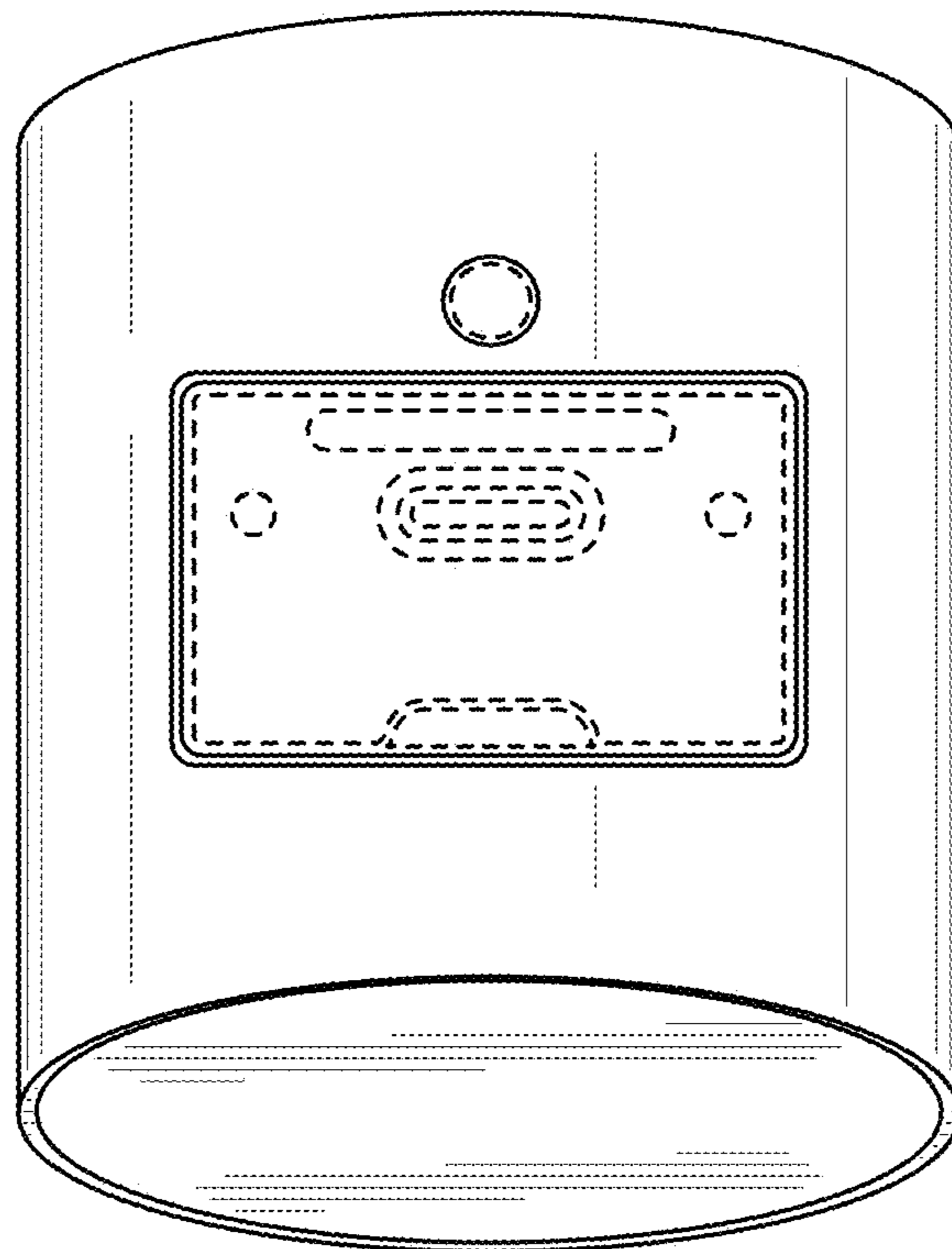


FIG. 6

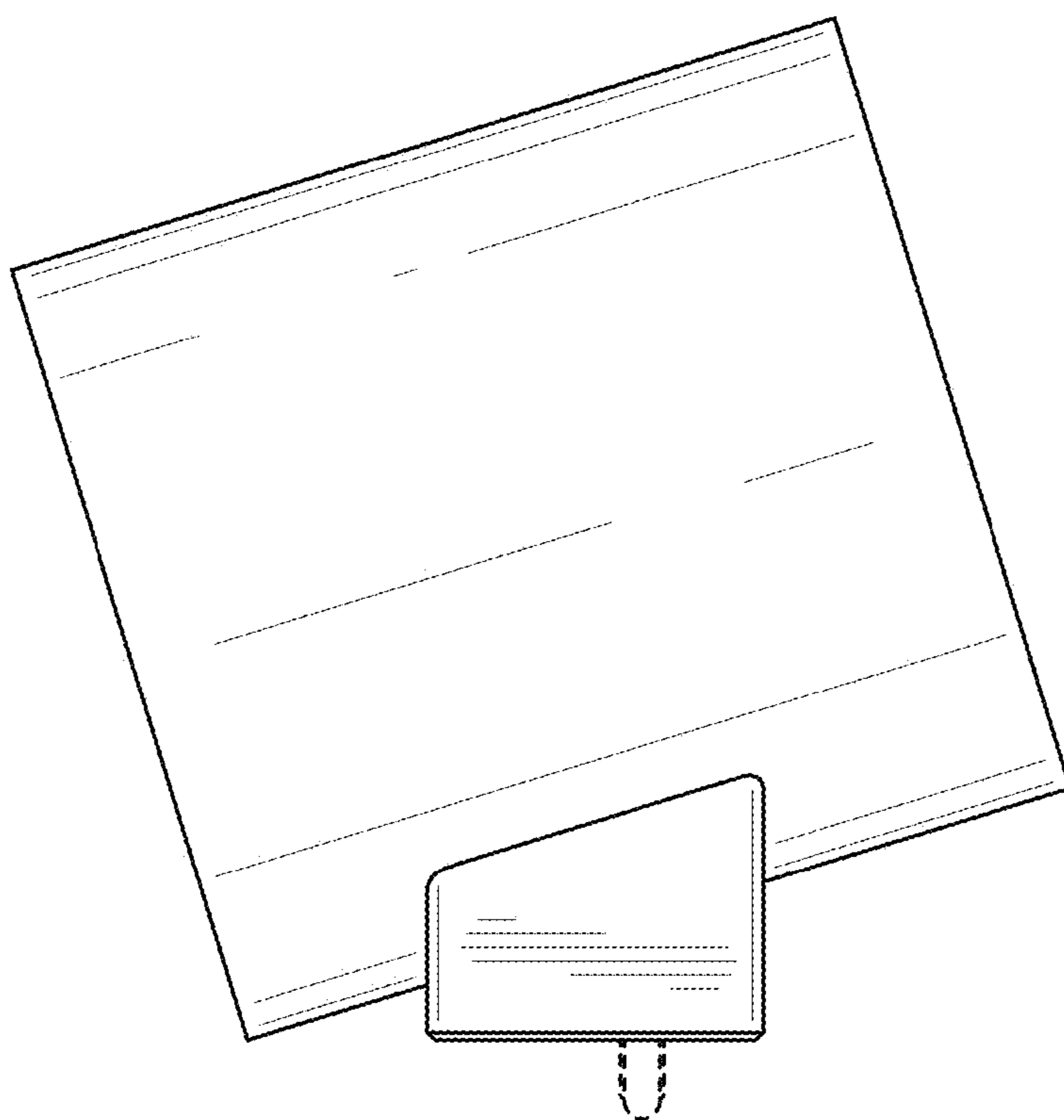


FIG. 7

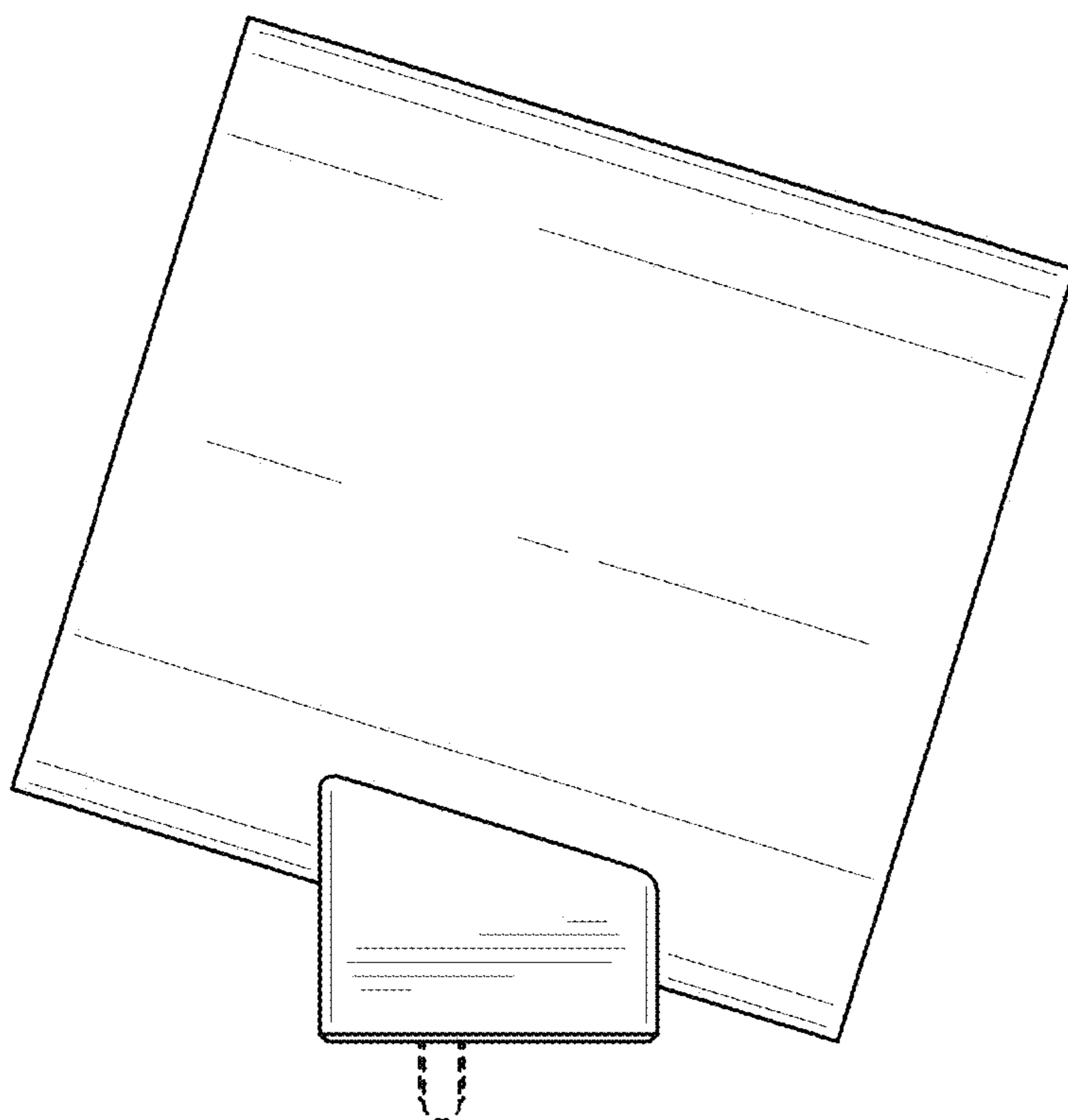


FIG. 8