

US00D899476S

(12) **United States Design Patent** (10) **Patent No.:** **US D899,476 S**  
**Pajevic et al.** (45) **Date of Patent:** **\*\* Oct. 20, 2020**

(54) **MOBILE CONVEYER UNIT**  
(71) Applicant: **Amazon Technologies, Inc.**, Seattle, WA (US)  
(72) Inventors: **Dragan Pajevic**, Arlington, MA (US); **Tim Martin**, Melrose, MA (US)  
(73) Assignee: **Amazon Technologies, Inc.**, Seattle, WA (US)

D865,021 S \* 10/2019 Hu ..... D15/199  
D870,787 S \* 12/2019 Kim ..... D15/199  
D870,788 S \* 12/2019 Kim ..... D15/199  
D871,474 S \* 12/2019 Kolb ..... D15/199  
D871,475 S \* 12/2019 Kolb ..... D15/199  
D871,477 S \* 12/2019 Kolb ..... D15/199  
D871,478 S \* 12/2019 Wang ..... D15/199  
D873,173 S \* 1/2020 Brucker ..... D12/1  
D873,174 S \* 1/2020 Sokuza ..... D12/1  
D877,786 S \* 3/2020 Gayne ..... D15/199

(Continued)

(\*\*) Term: **15 Years**

**OTHER PUBLICATIONS**

(21) Appl. No.: **29/693,023**

The Chinese Office Action dated Mar. 20, 2020, for Chinese Design Application No. 201930630649.5, a counterpart foreign application of the Design U.S. Appl. No. 29/693,023, 1 page.

(22) Filed: **May 30, 2019**

(51) **LOC (12) Cl.** ..... **15-99**

(52) **U.S. Cl.**  
USPC ..... **D15/199**

(58) **Field of Classification Search**  
USPC ..... D15/199; D21/578-583, 621, 622;  
D32/21; D34/34  
CPC ..... B25J 5/007; B60B 19/006; B62D 57/024;  
H01F 7/0221; Y10S 901/01  
See application file for complete search history.

*Primary Examiner* — Patricia A Palasik

(74) *Attorney, Agent, or Firm* — Lee & Hayes, P.C.

(57) **CLAIM**

The ornamental design for a mobile conveyer unit, as shown and described.

**DESCRIPTION**

(56) **References Cited**

**U.S. PATENT DOCUMENTS**

D735,258 S \* 7/2015 Jang ..... D15/199  
D810,799 S \* 2/2018 Sokuza ..... D15/199  
D810,800 S \* 2/2018 Wang ..... D15/199  
D819,711 S \* 6/2018 Li ..... D15/199  
D822,736 S \* 7/2018 Kato ..... D15/199  
D826,302 S \* 8/2018 Tsukamoto ..... D15/199  
D829,252 S \* 9/2018 Wang ..... D15/199  
D829,793 S \* 10/2018 Wang ..... D15/199  
D837,852 S \* 1/2019 Nilsson ..... D15/199  
D839,331 S \* 1/2019 Nilsson ..... D15/199  
D841,067 S \* 2/2019 Camporesi ..... D15/199  
D849,813 S \* 5/2019 Sutherland ..... D15/199  
D857,073 S \* 8/2019 Gayne ..... D15/199  
D857,074 S \* 8/2019 Kim ..... D15/199  
D864,270 S \* 10/2019 Hu ..... D15/199

FIG. 1 is a top, front, left-side perspective view of a first embodiment of the mobile conveyer unit according to a present design;

FIG. 2 is a right-side view thereof;

FIG. 3 is a left-side view thereof;

FIG. 4 is a front view thereof;

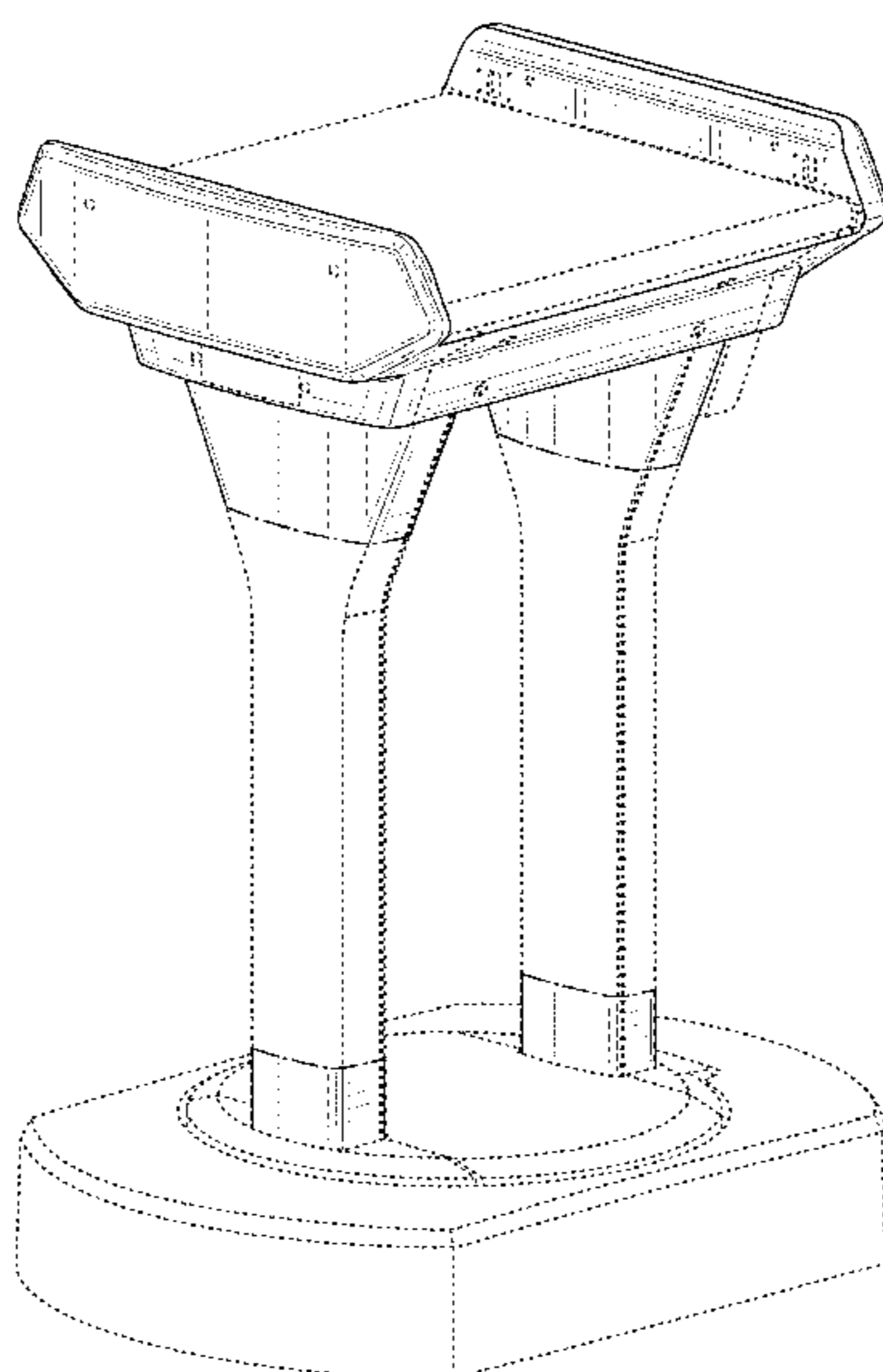
FIG. 5 is a back view thereof;

FIG. 6 is a top view thereof; and,

FIG. 7 is a bottom view thereof.

The dashed broken lines depict portions of the mobile conveyer unit that form no part of the claimed design. The dot-dashed broken lines represent boundaries of the claimed mobile conveyer unit and form no part of the claimed design.

**1 Claim, 7 Drawing Sheets**



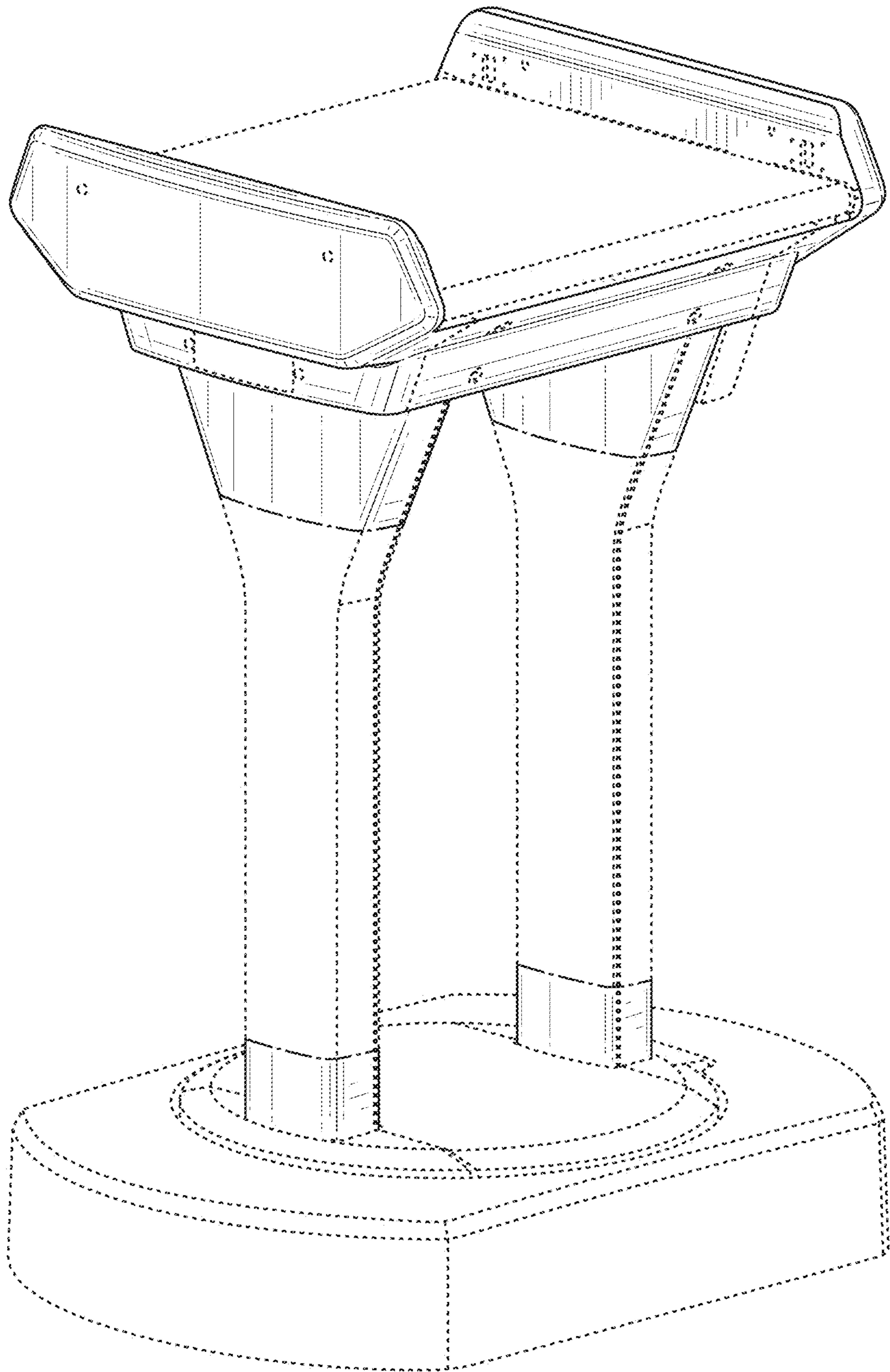
(56)

**References Cited**

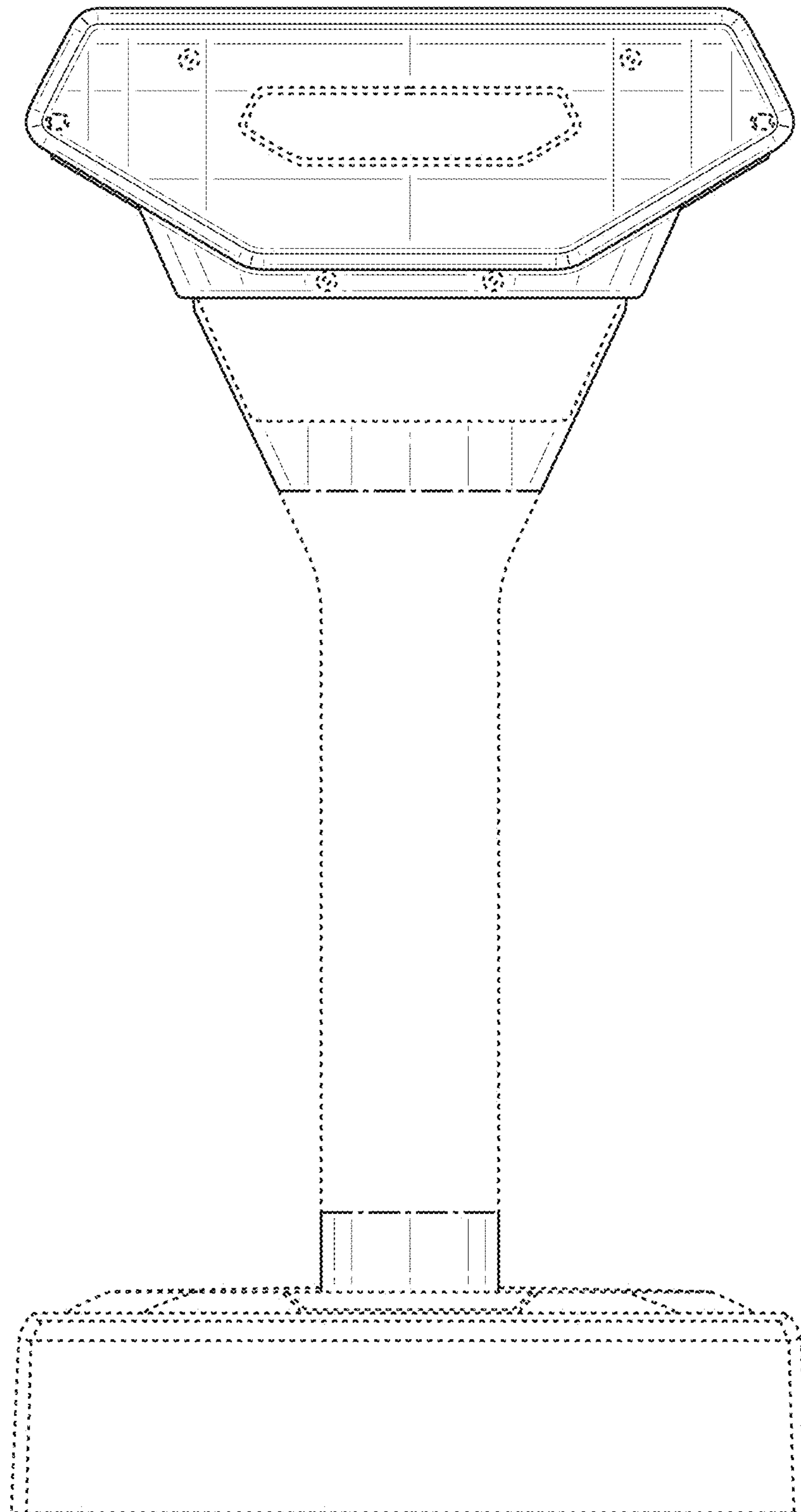
U.S. PATENT DOCUMENTS

D879,174 S *	3/2020	Kammermeier .....	D15/199
D879,852 S *	3/2020	Chen .....	D15/199
D879,854 S *	3/2020	Lu .....	D15/199
D880,550 S *	4/2020	Sokuza .....	D15/199
D883,353 S *	5/2020	Zhang .....	D15/199
D884,043 S *	5/2020	Song .....	D15/199
2018/0001485 A1 *	1/2018	Yokoya .....	B25J 13/085

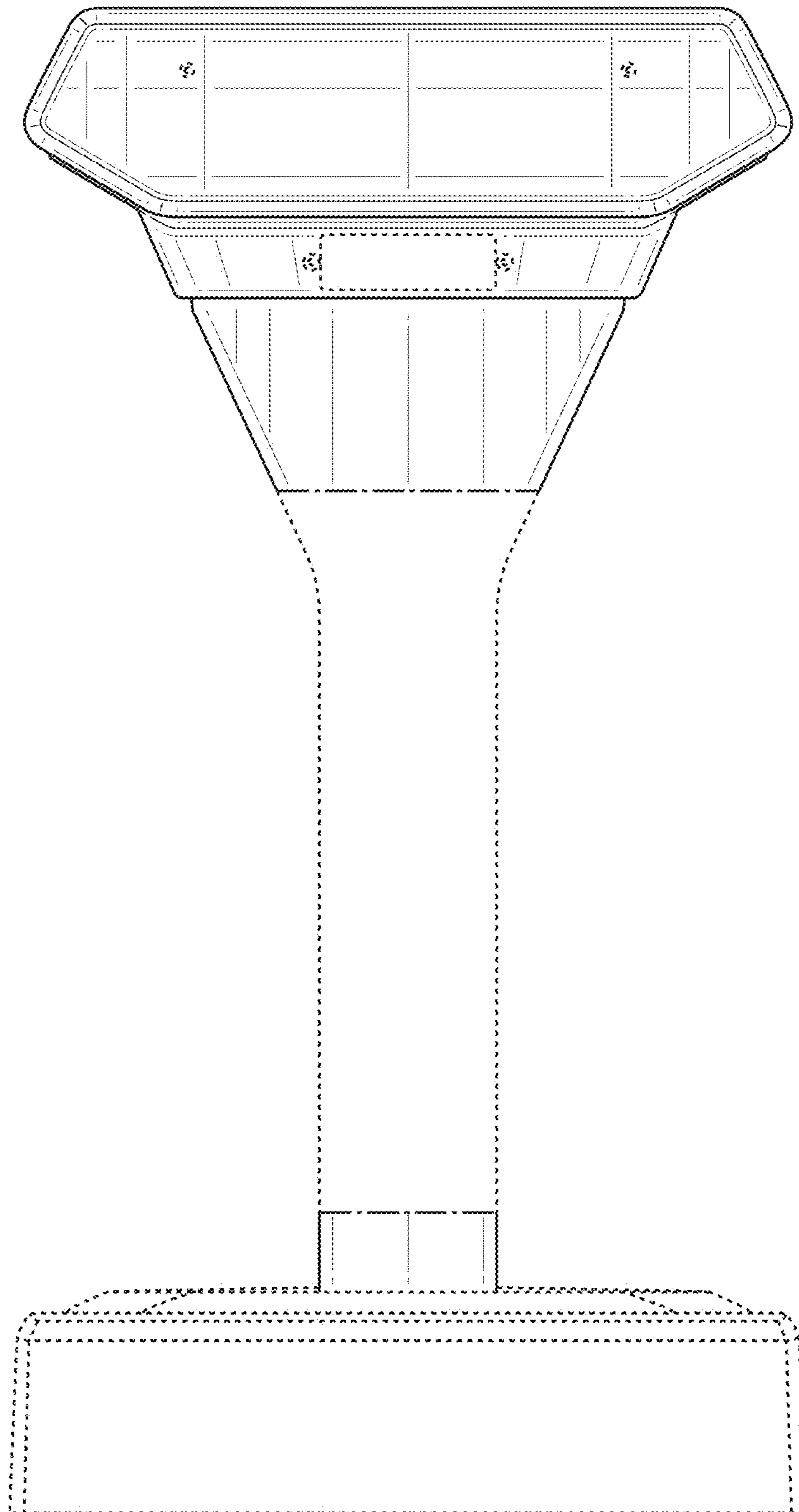
\* cited by examiner



**FIG. 1**

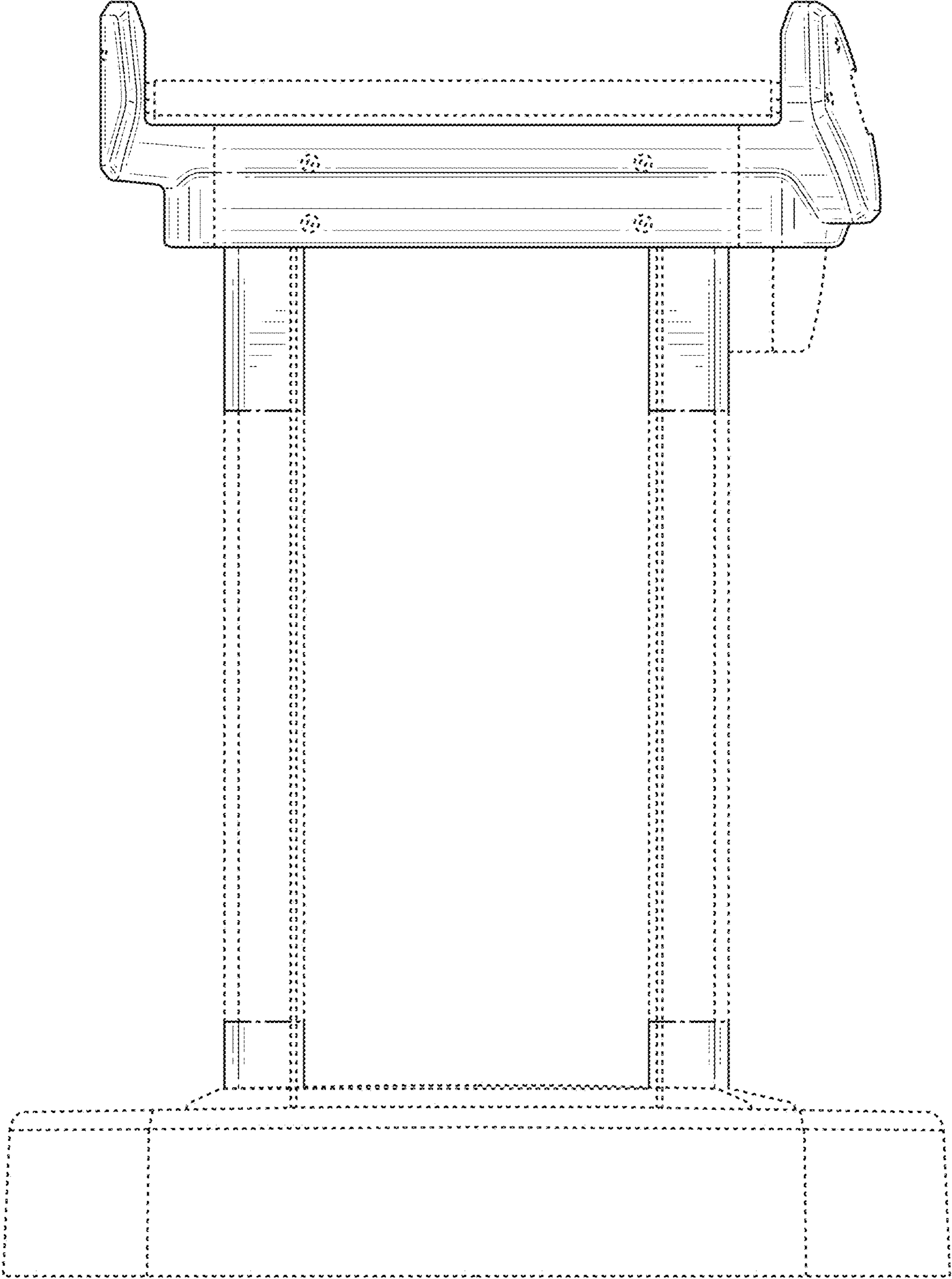


**FIG. 2**

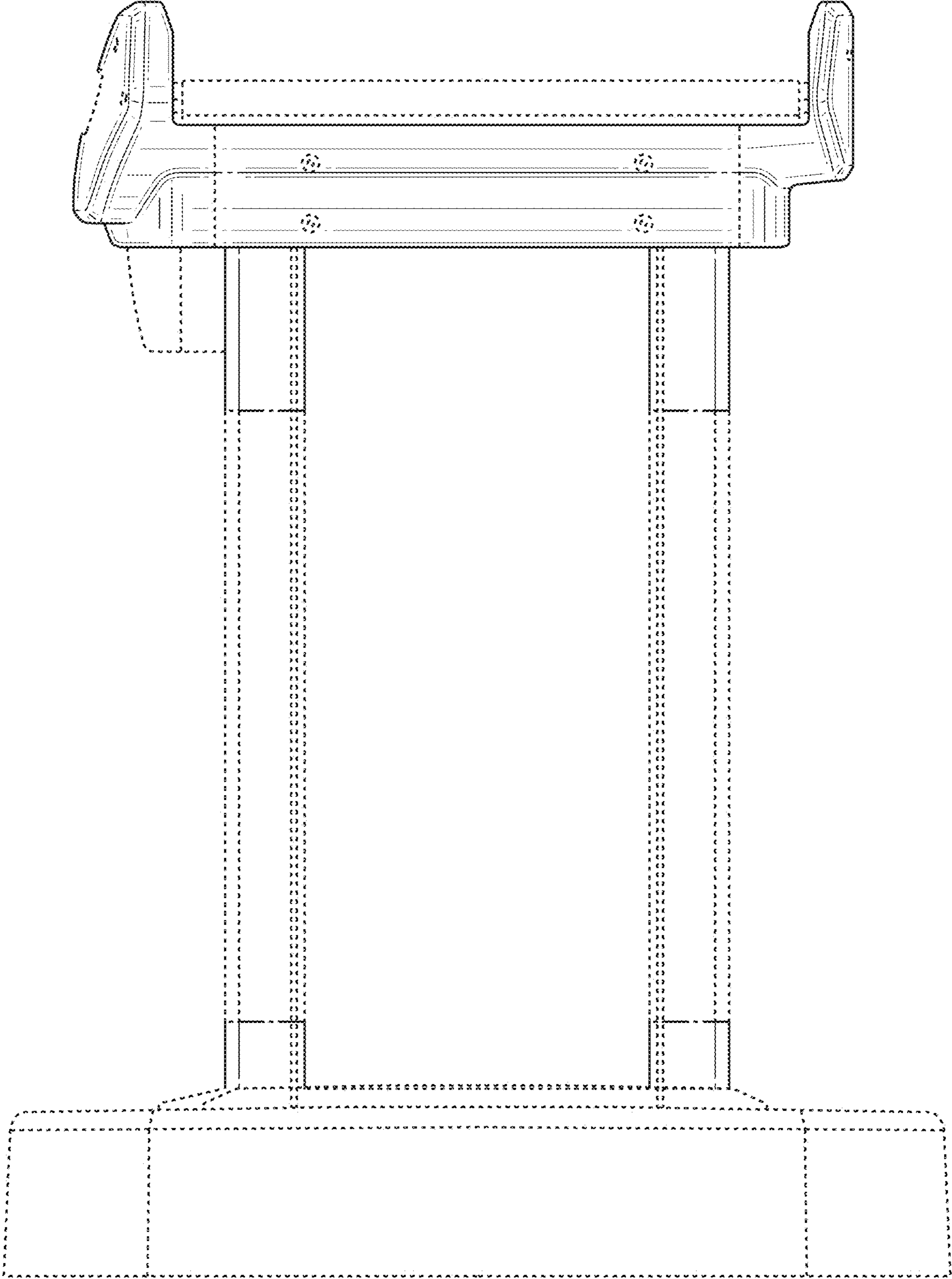


**FIG. 3**

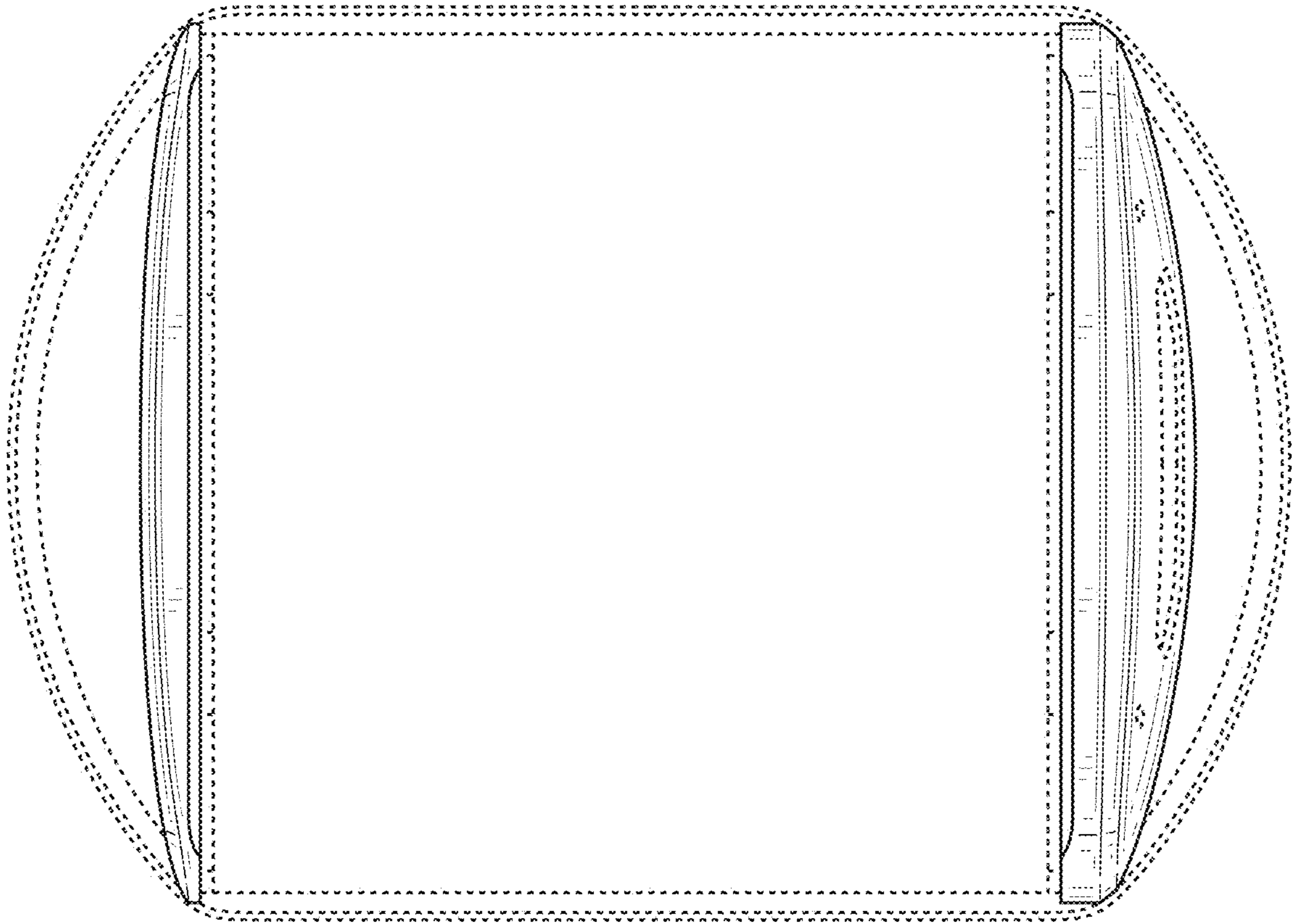




**FIG. 4**

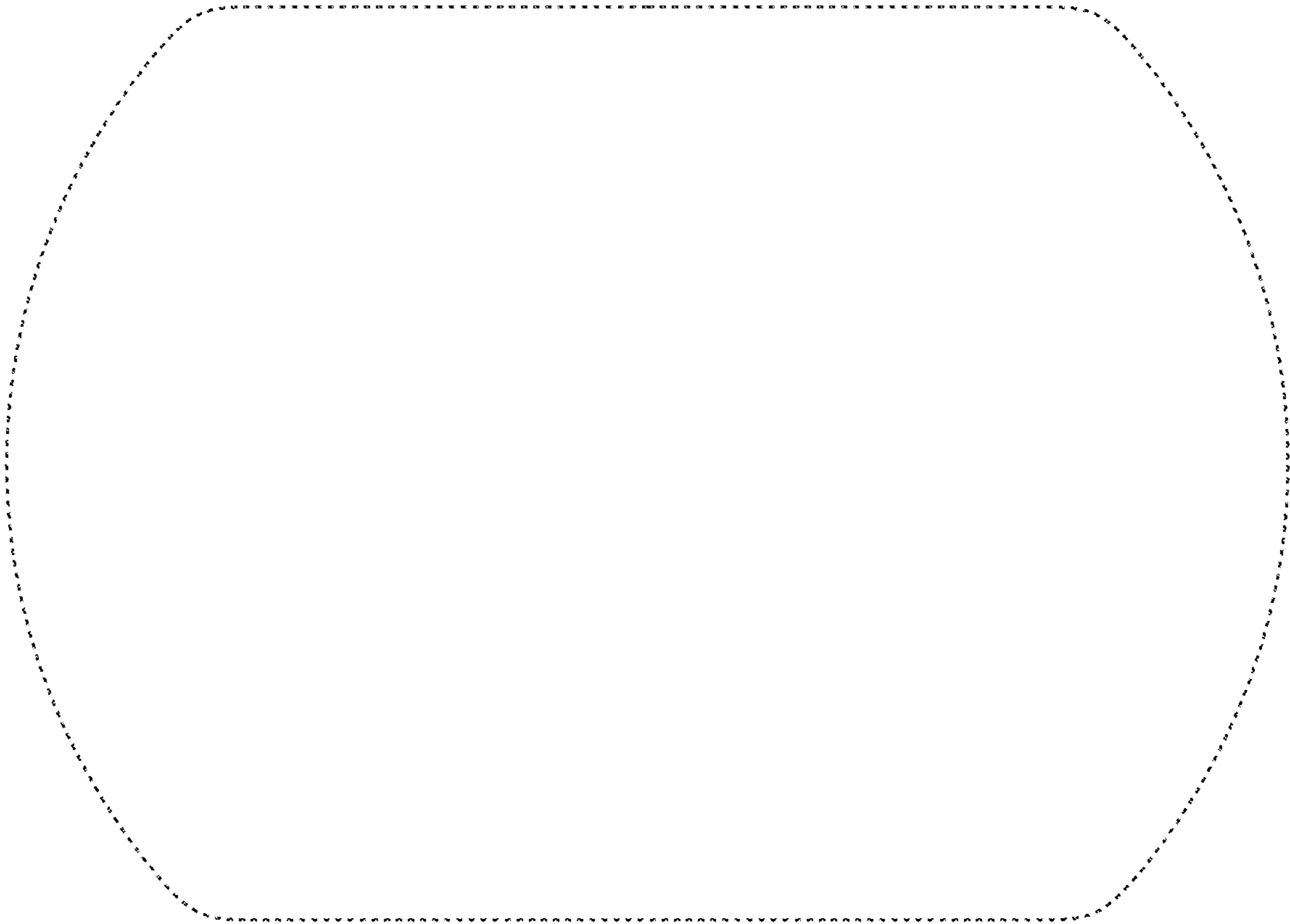


**FIG. 5**



**FIG. 6**





***FIG. 7***