



US00D899475S

(12) **United States Design Patent**
Xiao

(10) **Patent No.:** **US D899,475 S**
(45) **Date of Patent:** **** Oct. 20, 2020**

(54) **AUTOMATIC GUIDED TRANSPORT VEHICLE**
(71) Applicant: **HANGZHOU HIKROBOT TECHNOLOGY CO., LTD**, Hangzhou (CN)
(72) Inventor: **Jinbo Xiao**, Hangzhou (CN)
(73) Assignee: **HANGZHOU HIKROBOT TECHNOLOGY CO., LTD**, Hangzhou (CN)

8,794,367 B2 * 8/2014 Chung G01S 7/4814
180/167
8,843,245 B2 * 9/2014 Choe G05D 1/0246
701/2
D722,631 S * 2/2015 Stone D12/1
D810,799 S * 2/2018 Sokuza D15/199
D839,331 S * 1/2019 Nilsson D15/199
D879,852 S * 3/2020 Chen D15/199
2006/0186561 A1 * 8/2006 Song F24F 6/00
261/26
2010/0228394 A1 * 9/2010 Yi G05D 1/0246
700/253

(Continued)

Primary Examiner — Patricia A Palasik

(74) *Attorney, Agent, or Firm* — Norton Rose Fulbright US LLP

(**) Term: **15 Years**
(21) Appl. No.: **29/689,278**
(22) Filed: **Apr. 29, 2019**

(30) **Foreign Application Priority Data**

Oct. 31, 2018 (CN) 2018 3 0612204

(51) **LOC (12) Cl.** **15-99**
(52) **U.S. Cl.**
USPC **D15/199**; D34/34
(58) **Field of Classification Search**
USPC D15/199; D21/578-583, 621, 622;
D32/21; D34/34
CPC B23K 9/133; B23K 9/287; B25J 9/0018;
B25J 19/0025; Y10T 74/20; Y10T
74/20207; Y10T 74/20311; Y10T
74/20305; Y10S 901/01
See application file for complete search history.

(56) **References Cited**

U.S. PATENT DOCUMENTS

4,137,984 A * 2/1979 Jennings B62D 1/28
180/168
5,127,486 A * 7/1992 Yardley B62D 1/28
180/168
D548,902 S * 8/2007 Chun D32/21

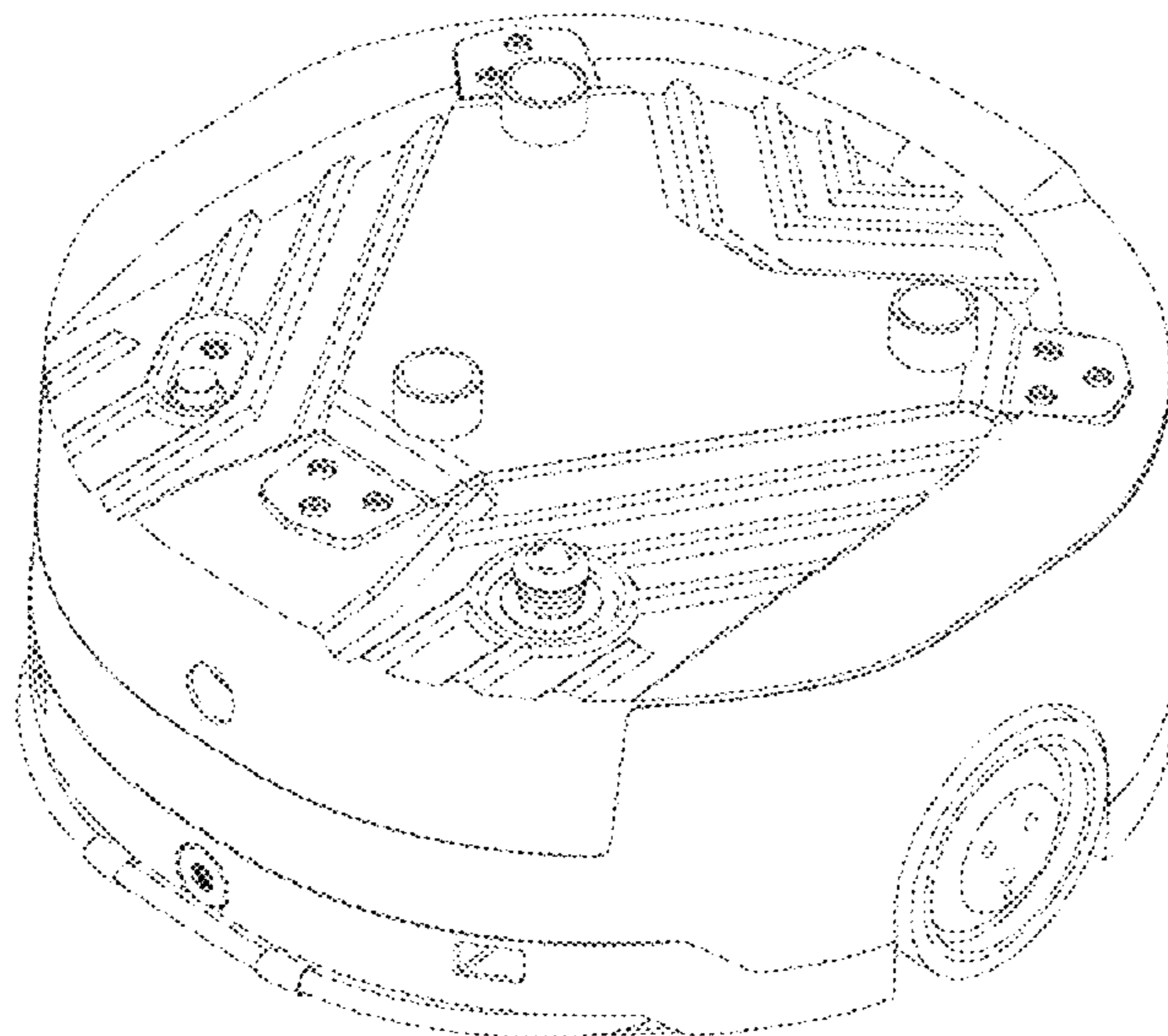
(57) **CLAIM**

The ornamental design for an automatic guided transport vehicle, as shown and described.

DESCRIPTION

FIG. 1 is a front elevation view of an automatic guided transport vehicle of our new design; FIG. 2 is a back elevation view of the automatic guided transport vehicle shown in FIG. 1; FIG. 3 is a left side elevation view of the automatic guided transport vehicle shown in FIG. 1; FIG. 4 is a right side elevation view of the automatic guided transport vehicle shown in FIG. 1; FIG. 5 is a top plan view of the automatic guided transport vehicle shown in FIG. 1; FIG. 6 is a perspective view of the automatic guided transport vehicle shown in FIG. 1; FIG. 7 is another perspective view of the automatic guided transport vehicle shown in FIG. 1; and, FIG. 8 is another perspective view of the automatic guided transport vehicle shown in FIG. 1. The bottom view is omitted because it has no essential features.

1 Claim, 4 Drawing Sheets



(56)

References Cited

U.S. PATENT DOCUMENTS

2010/0286825 A1* 11/2010 Rew A47L 9/009
700/253
2014/0129027 A1* 5/2014 Schnittman G05D 1/0227
700/253
2015/0020326 A1* 1/2015 Schnittman G05D 1/0242
15/52.1
2015/0197012 A1* 7/2015 Schnittman G05D 1/027
700/250
2015/0224640 A1* 8/2015 Vu B25J 19/023
700/259
2016/0103451 A1* 4/2016 Vicenti A47L 11/4066
700/259
2018/0099810 A1* 4/2018 Wu B66F 3/08
2019/0270472 A1* 9/2019 Akamatsu B62B 5/0093
2019/0332115 A1* 10/2019 Lim G06T 7/74

* cited by examiner

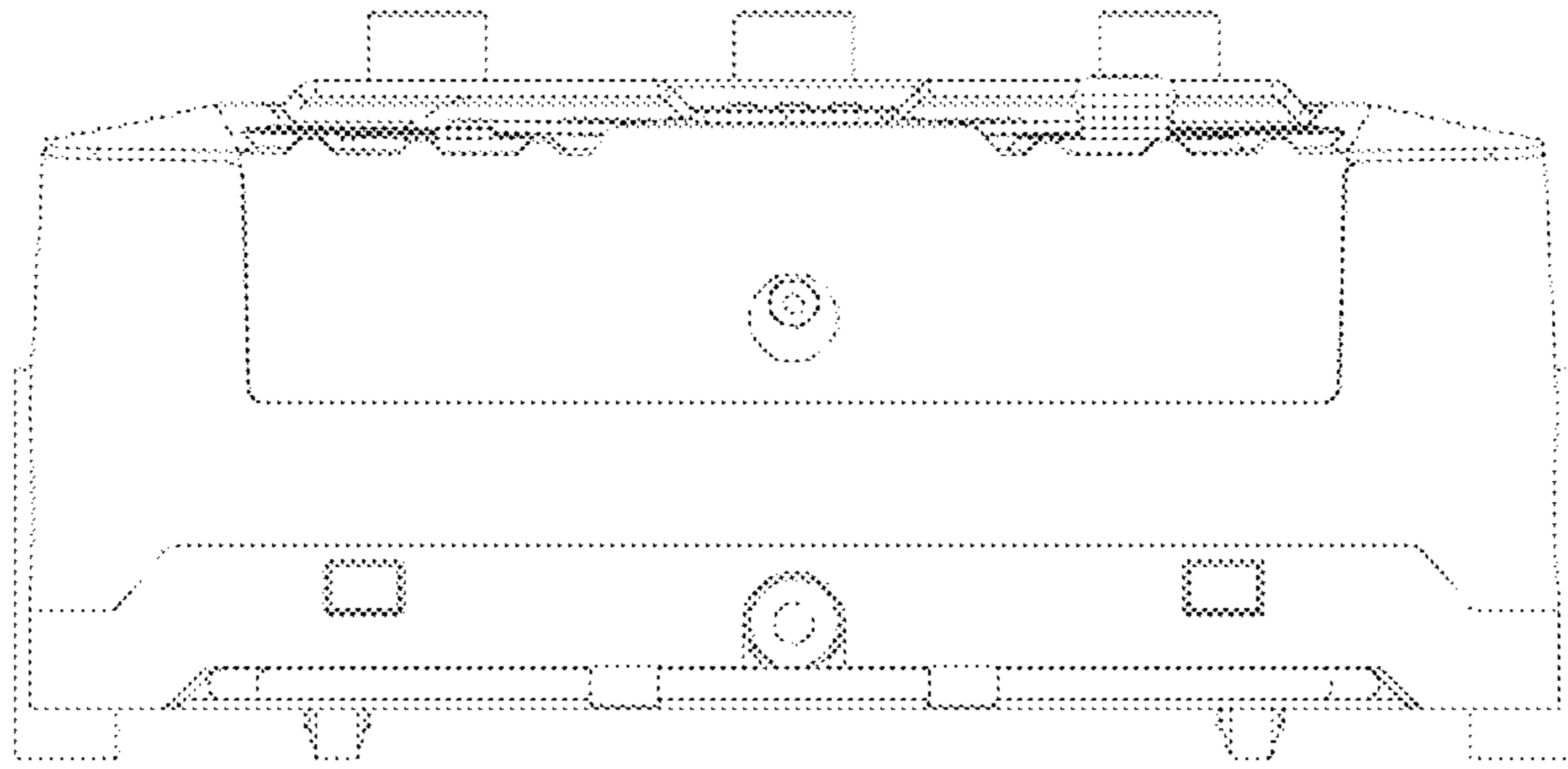


FIG. 1

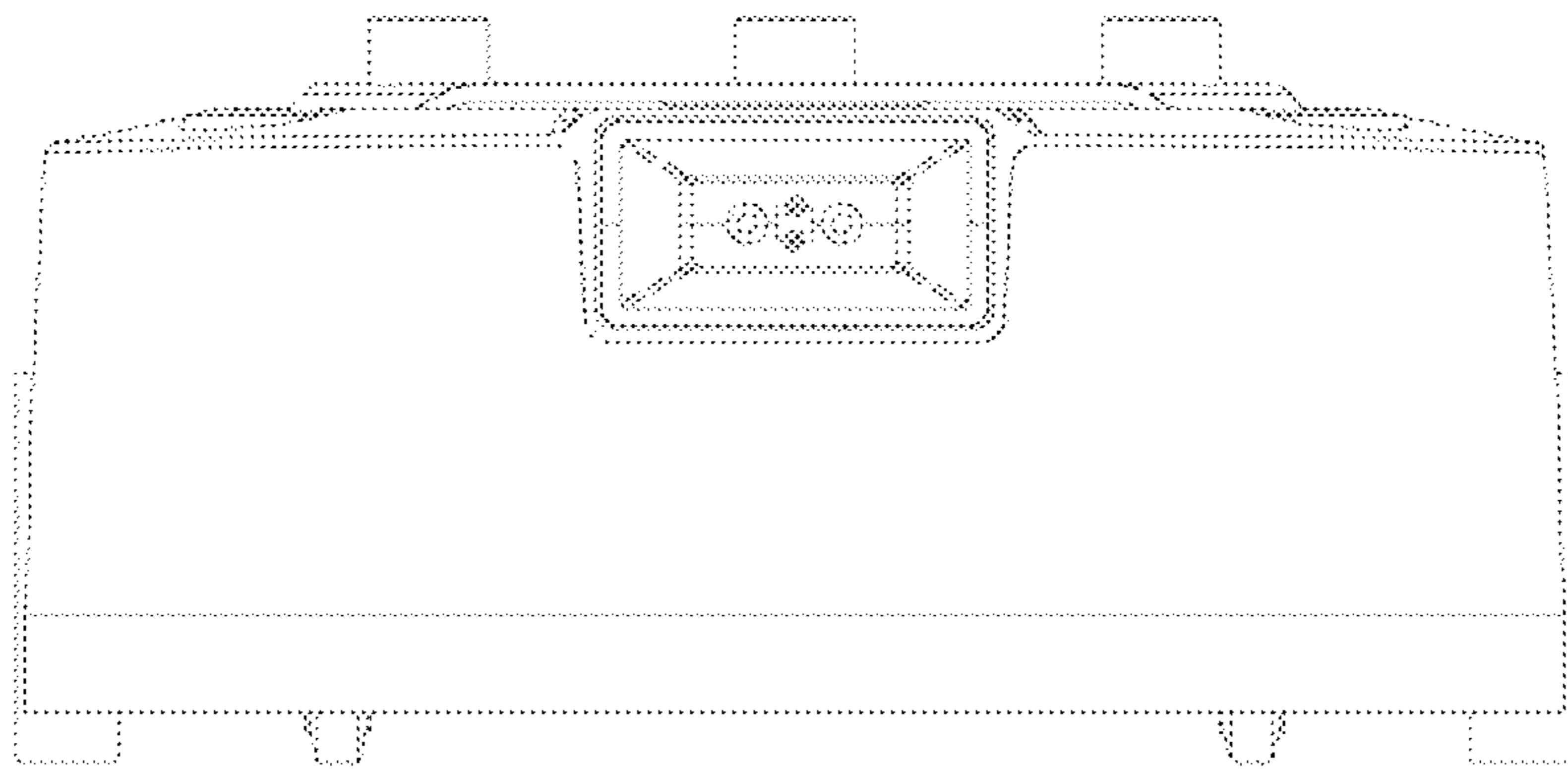


FIG. 2

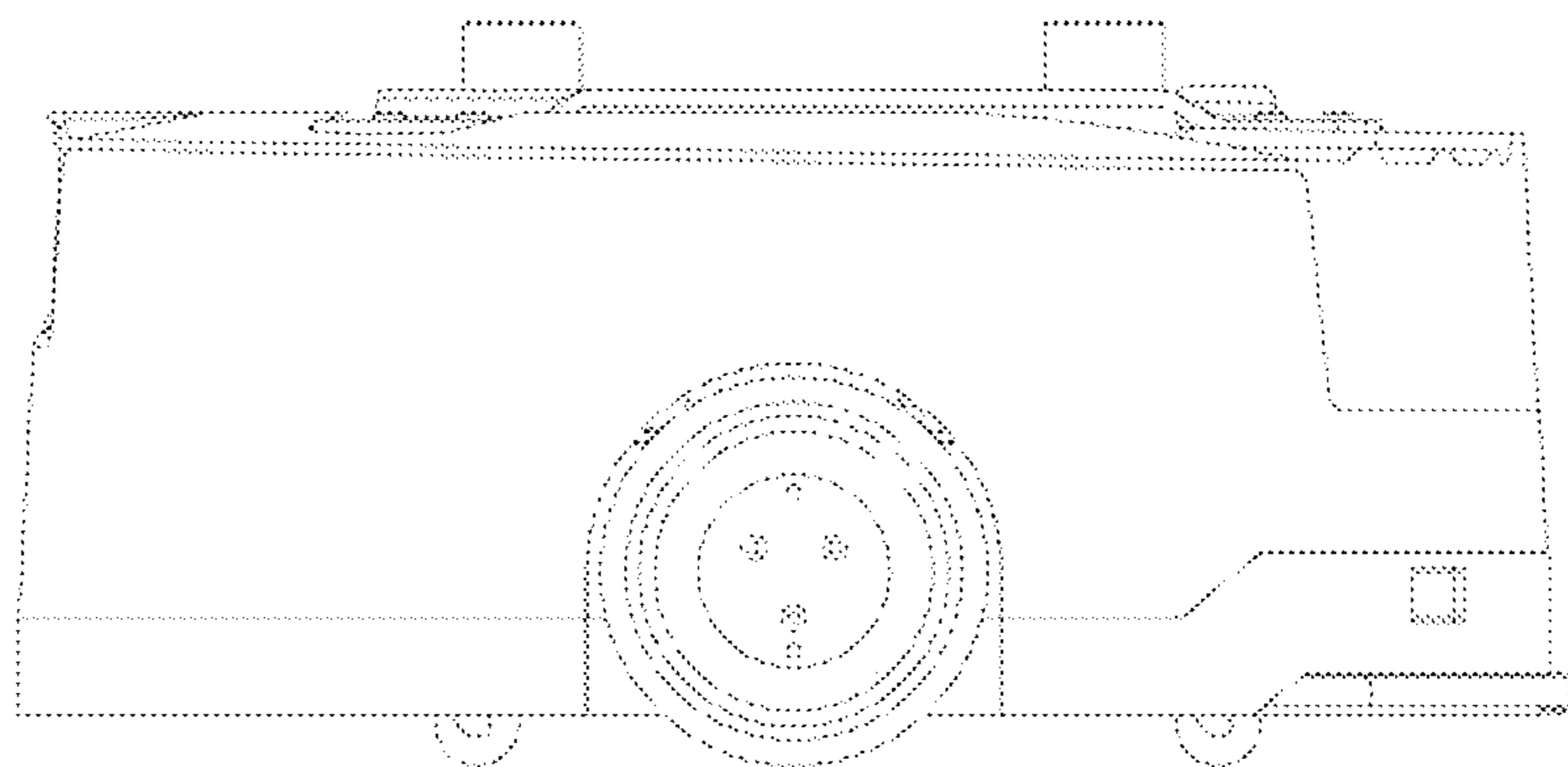


FIG. 3

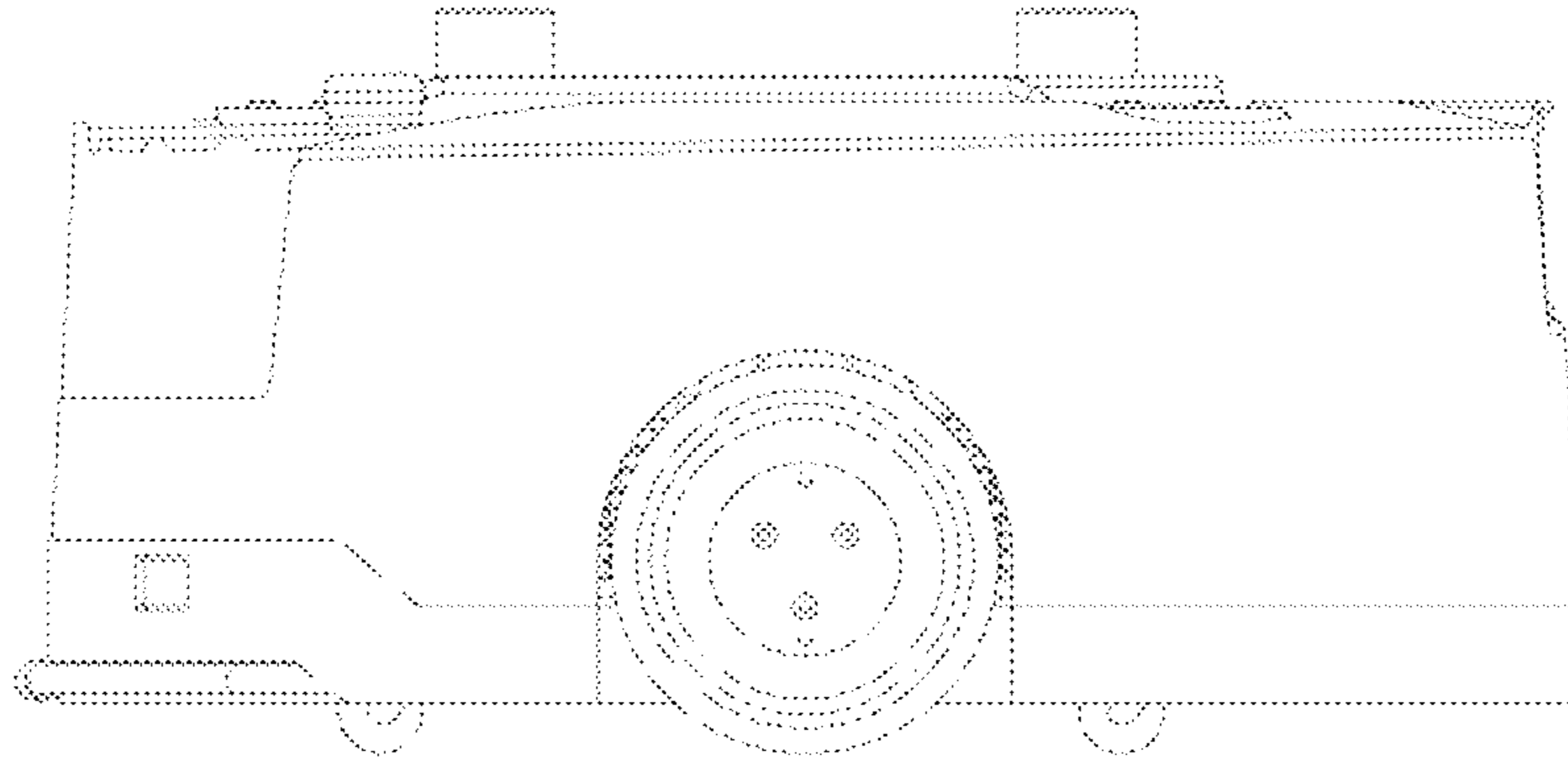


FIG. 4

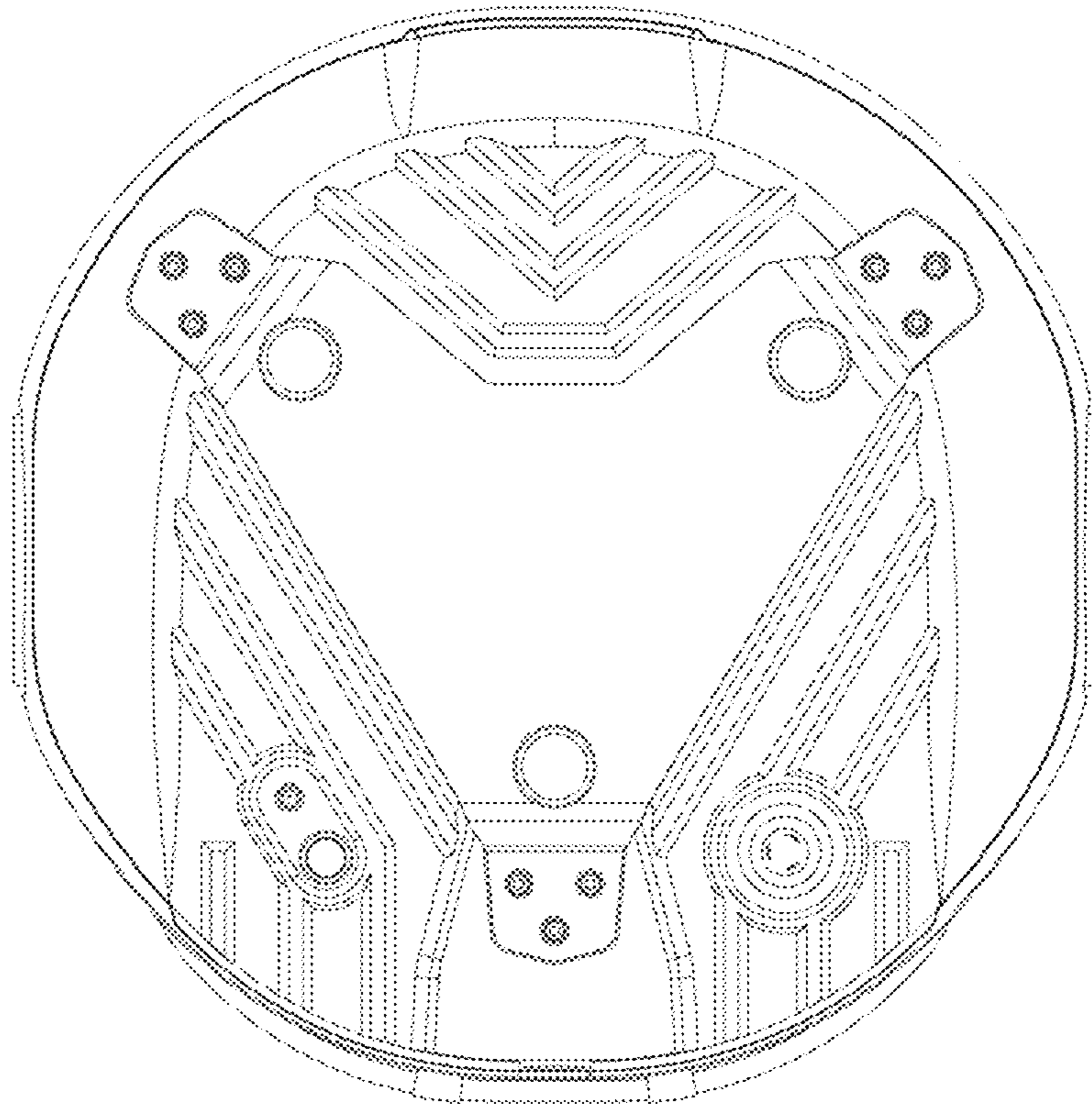


FIG. 5

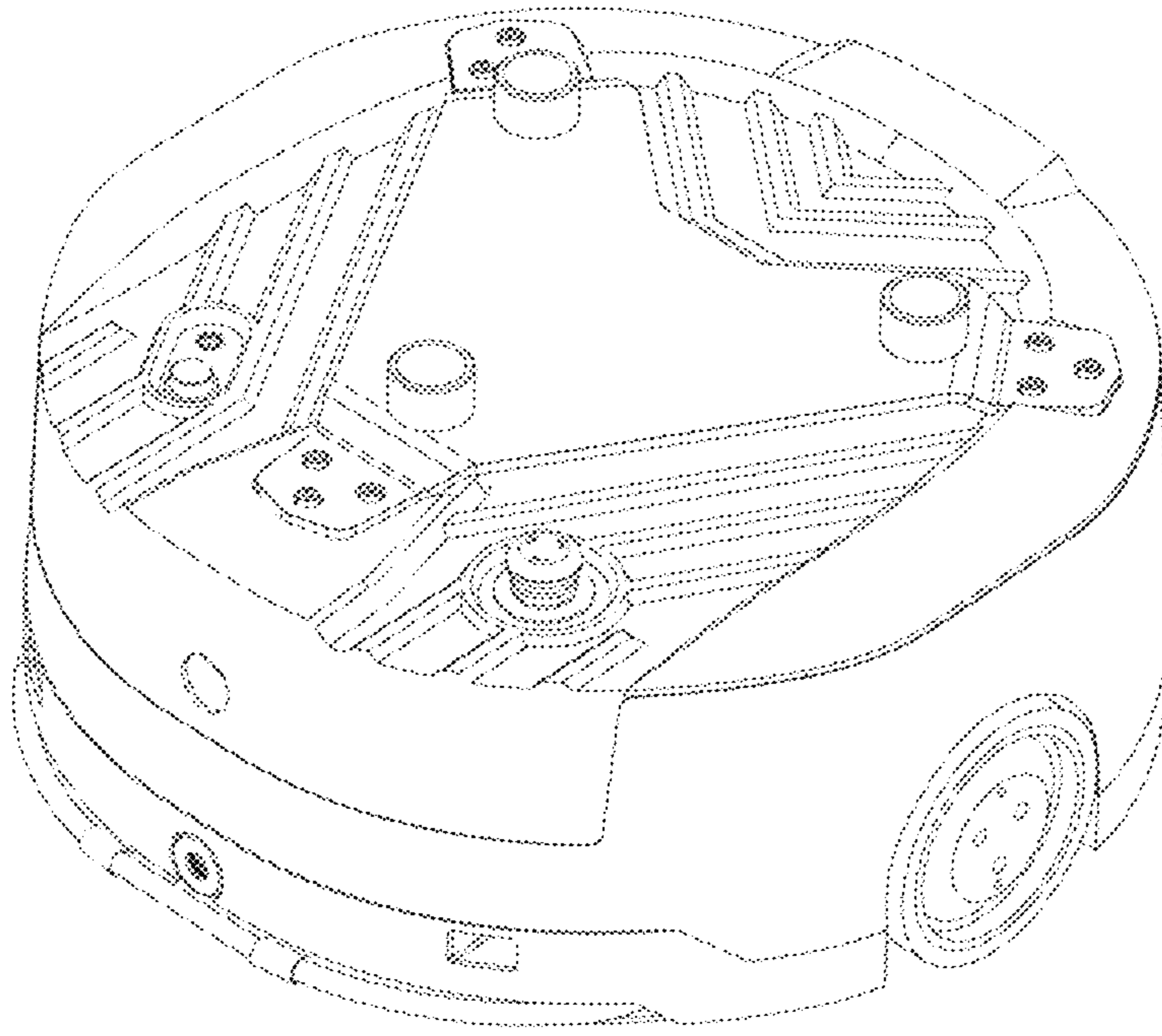


FIG. 6

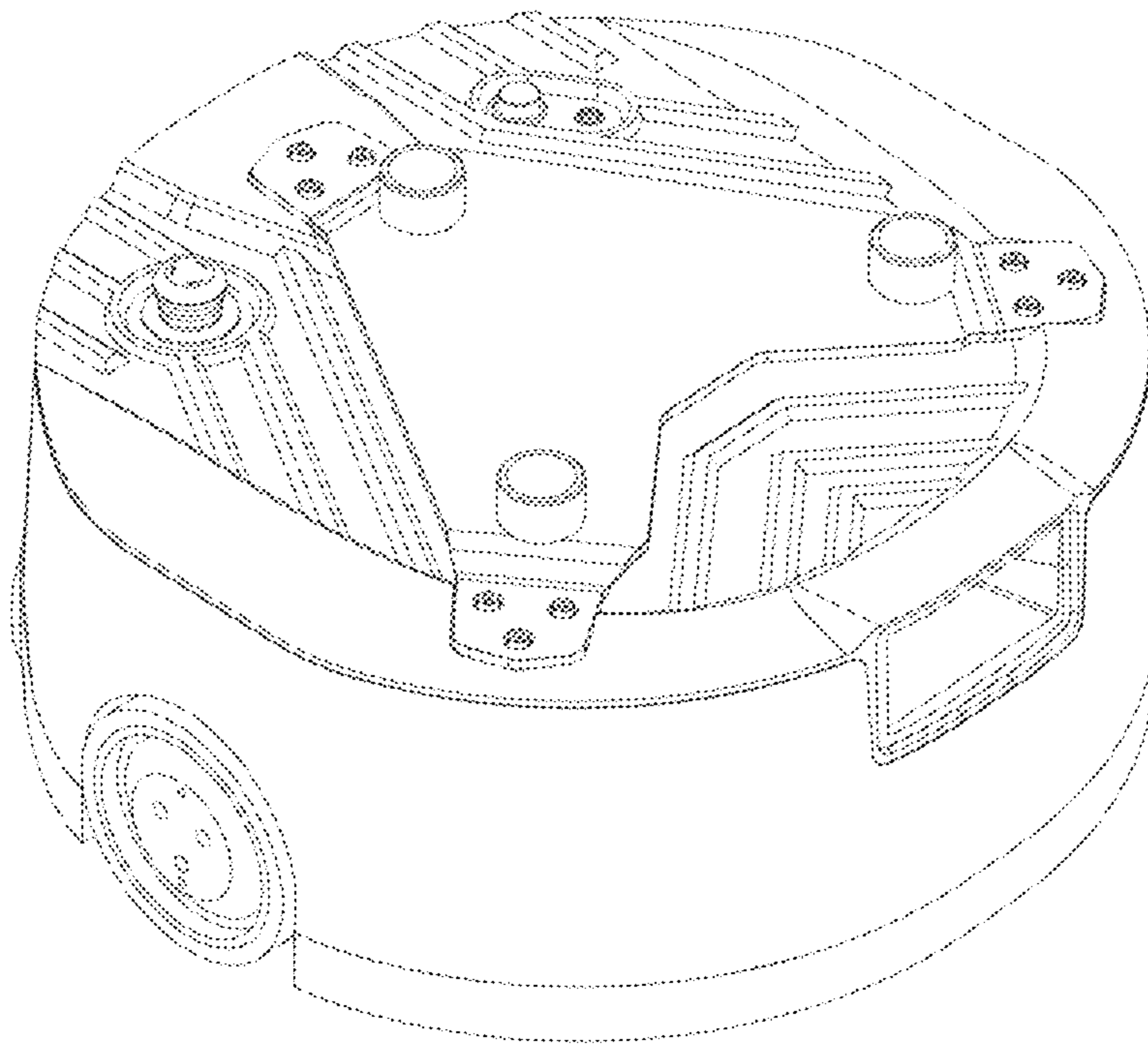


FIG. 7

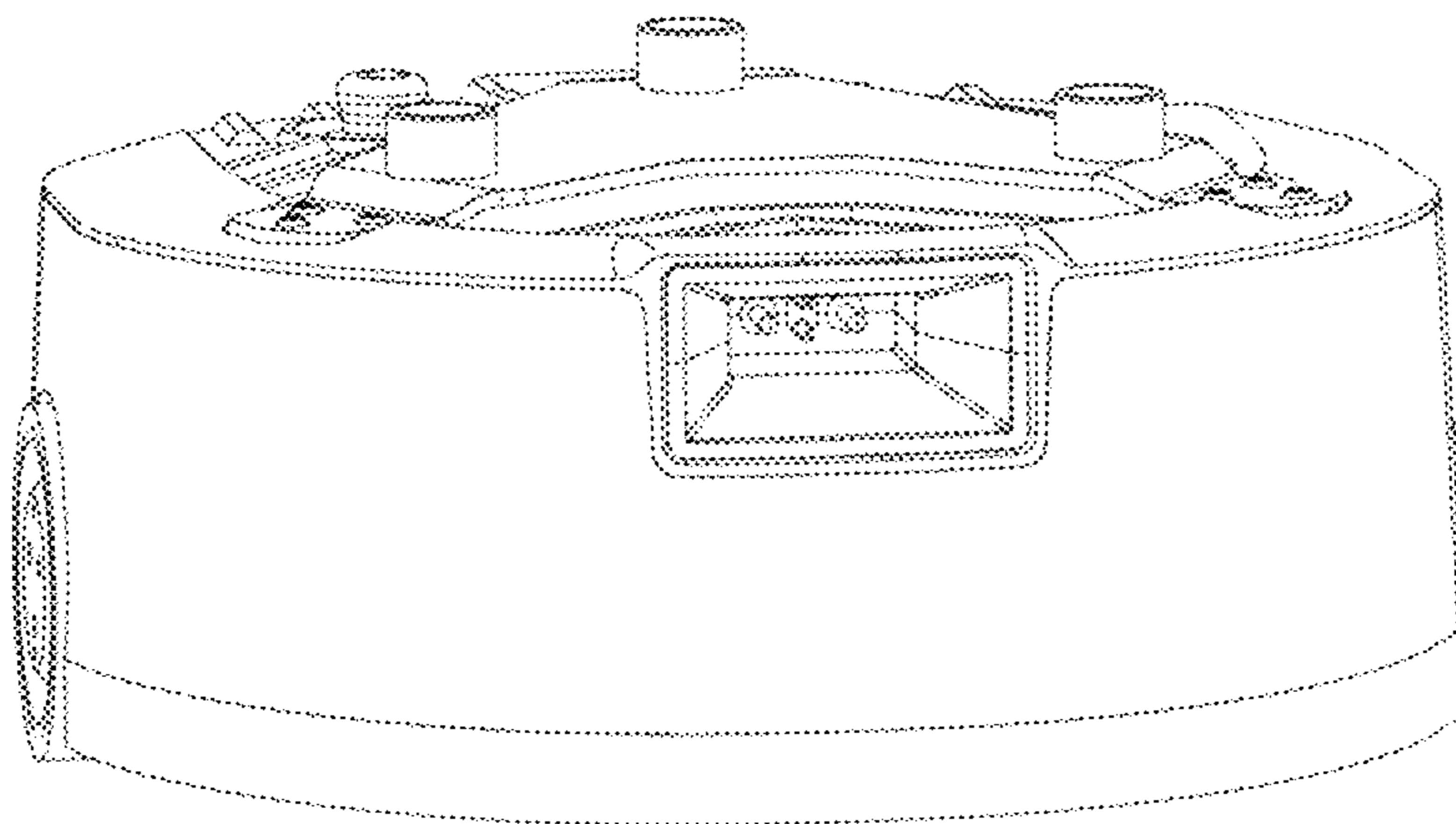


FIG. 8