

US00D899474S

(12) **United States Design Patent**  
**Huang**

(10) **Patent No.:** **US D899,474 S**

(45) **Date of Patent:** **\*\* Oct. 20, 2020**

(54) **FILM DISPENSER**

(71) Applicant: **Yu-Chun Huang**, Taichung (TW)

(72) Inventor: **Yu-Chun Huang**, Taichung (TW)

(\*\*) Term: **15 Years**

(21) Appl. No.: **29/676,224**

(22) Filed: **Jan. 9, 2019**

(30) **Foreign Application Priority Data**

Dec. 11, 2018 (TW) ..... 107307234

(51) **LOC (12) Cl.** ..... **15-99**

(52) **U.S. Cl.**  
USPC ..... **D15/145; D8/358**

(58) **Field of Classification Search**  
USPC ..... D6/518, 521; D8/70.1, 356, 358;  
D9/455, 711; D16/237, 246, 249, 250;  
53/221, 389.4, 390, 441; 156/577;  
225/1, 39, 77, 89; 242/423, 423.1, 578.2,  
242/588, 599.2; 396/661; D15/99, 135  
CPC ... B65B 11/045; B65B 11/025; B65B 67/085;  
B65H 75/185; B65H 2701/1944; B65H  
2301/418526; B65H 75/241; B65H  
16/005; B65H 2403/731; B65H 2511/12;  
B65H 2220/04

See application file for complete search history.

(56) **References Cited**

**U.S. PATENT DOCUMENTS**

D612,179 S \* 3/2010 Huang ..... D6/518  
D697,332 S \* 1/2014 Huang ..... D6/518

D810,797 S \* 2/2018 Love ..... D15/145  
D832,899 S \* 11/2018 Walters ..... D15/135  
D833,492 S \* 11/2018 Stevens ..... D15/145  
D844,037 S \* 3/2019 Stevens ..... D15/145  
D865,015 S \* 10/2019 Huang ..... D15/145  
2011/0041458 A1\* 2/2011 Yu Chen ..... B65B 67/085  
53/389.4  
2016/0347574 A1\* 12/2016 Yu Chen ..... B65H 75/242

\* cited by examiner

*Primary Examiner* — Wan Laymon

*Assistant Examiner* — Mark Booker

(74) *Attorney, Agent, or Firm* — Muncy, Geissler, Olds & Lowe, P.C.

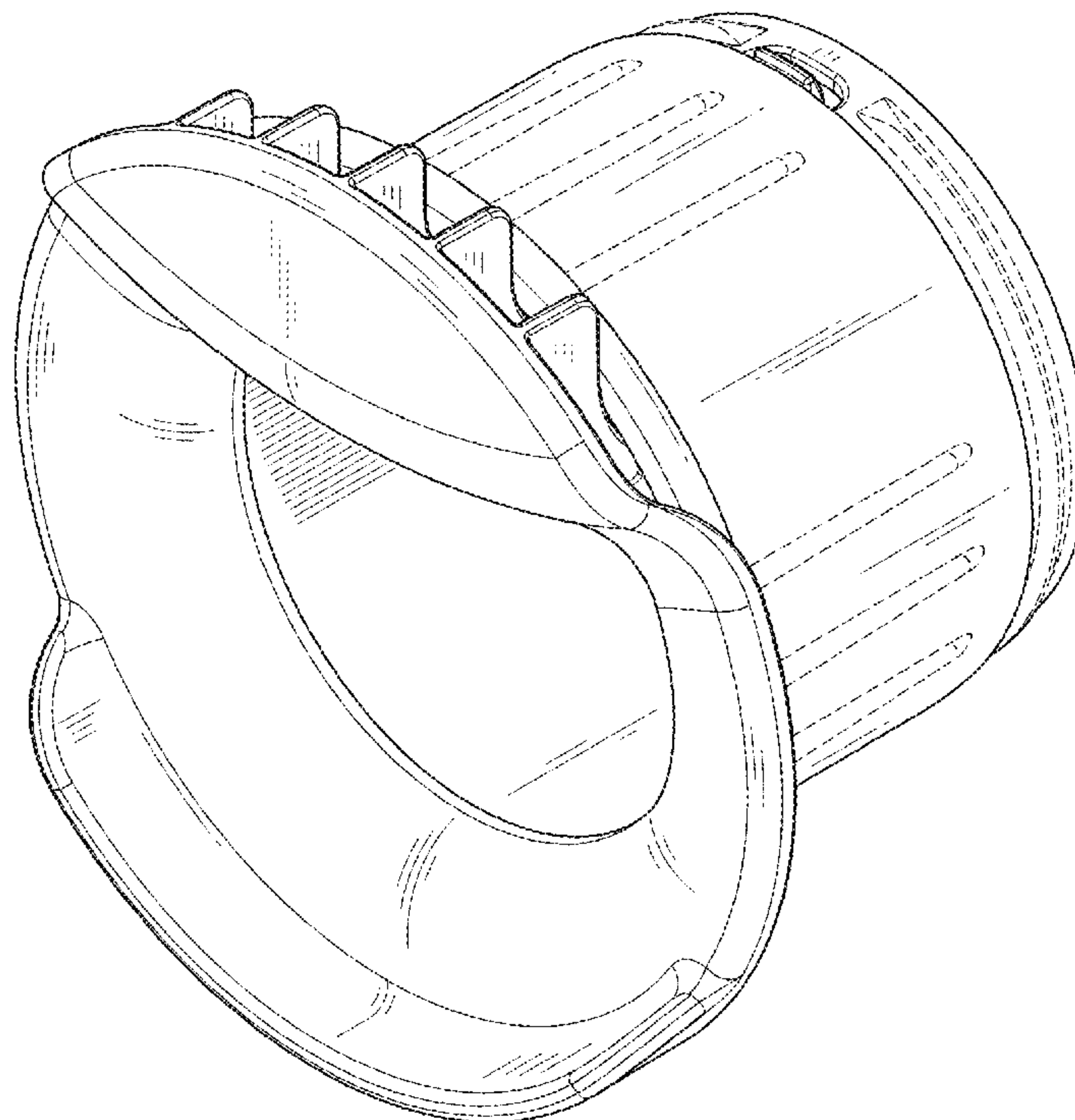
(57) **CLAIM**

The ornamental design for a film dispenser, as shown and described.

**DESCRIPTION**

FIG. 1 is a perspective view of a film dispenser, showing the new design;  
FIG. 2 is a front elevational view thereof;  
FIG. 3 is a rear elevational view thereof;  
FIG. 4 is a left side elevational view thereof;  
FIG. 5 is a right side elevational view thereof;  
FIG. 6 is a top plan view thereof; and,  
FIG. 7 is a bottom plan view thereof.  
The broken lines shown in FIGS. 1 & 3-7 depict portions of the film dispenser that form no part of the claimed design.

**1 Claim, 6 Drawing Sheets**



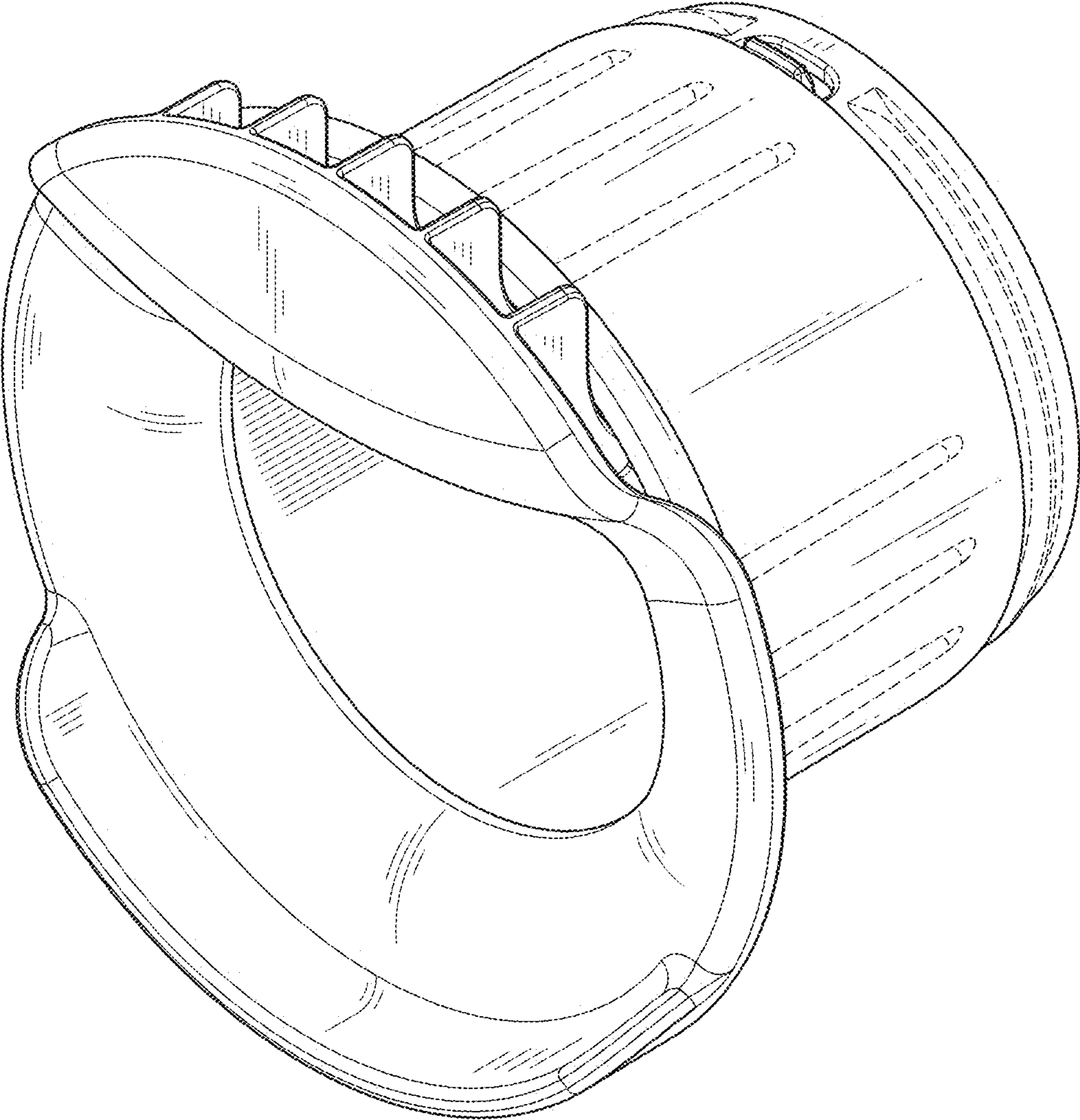


FIG. 1

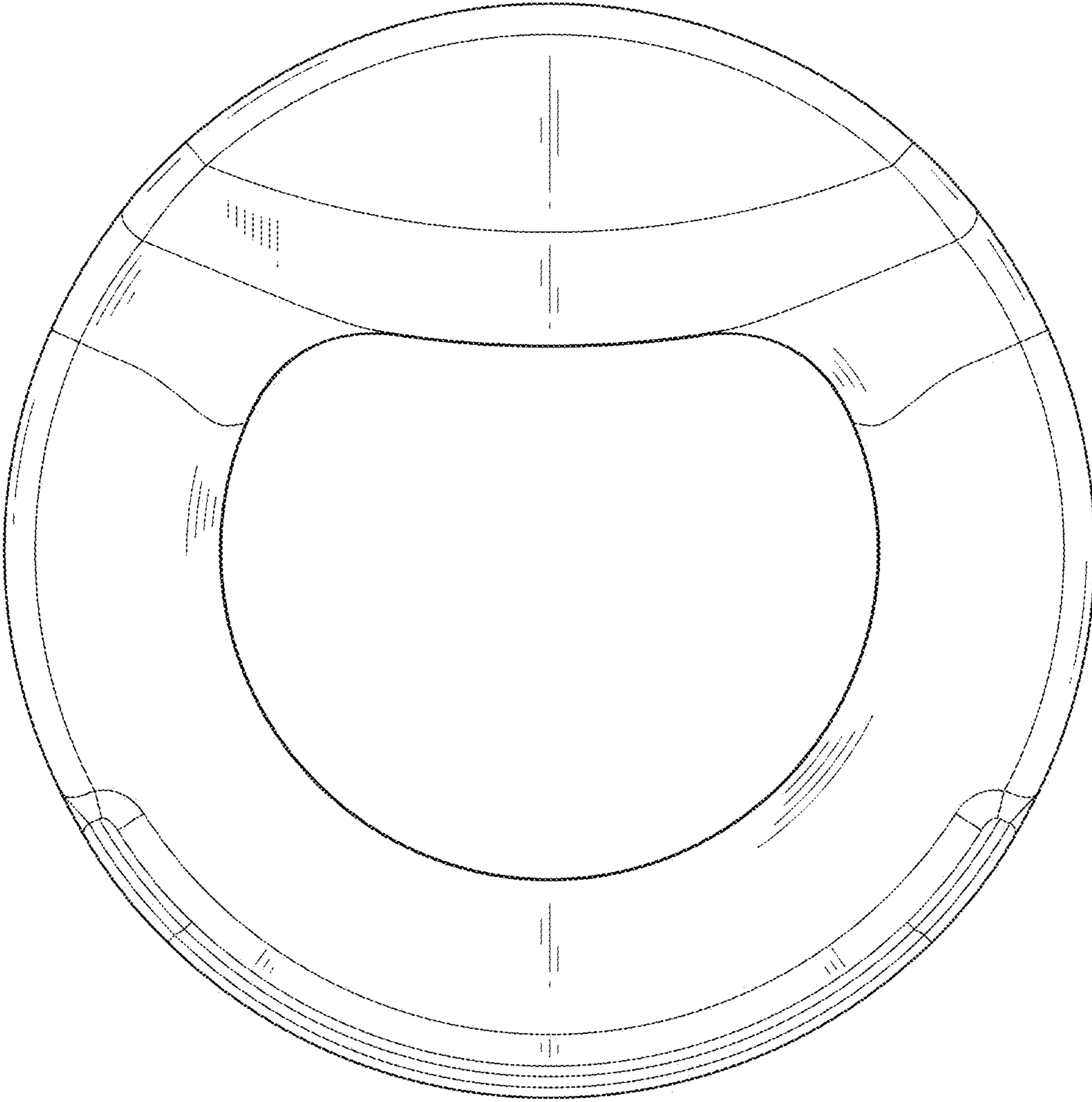


FIG. 2



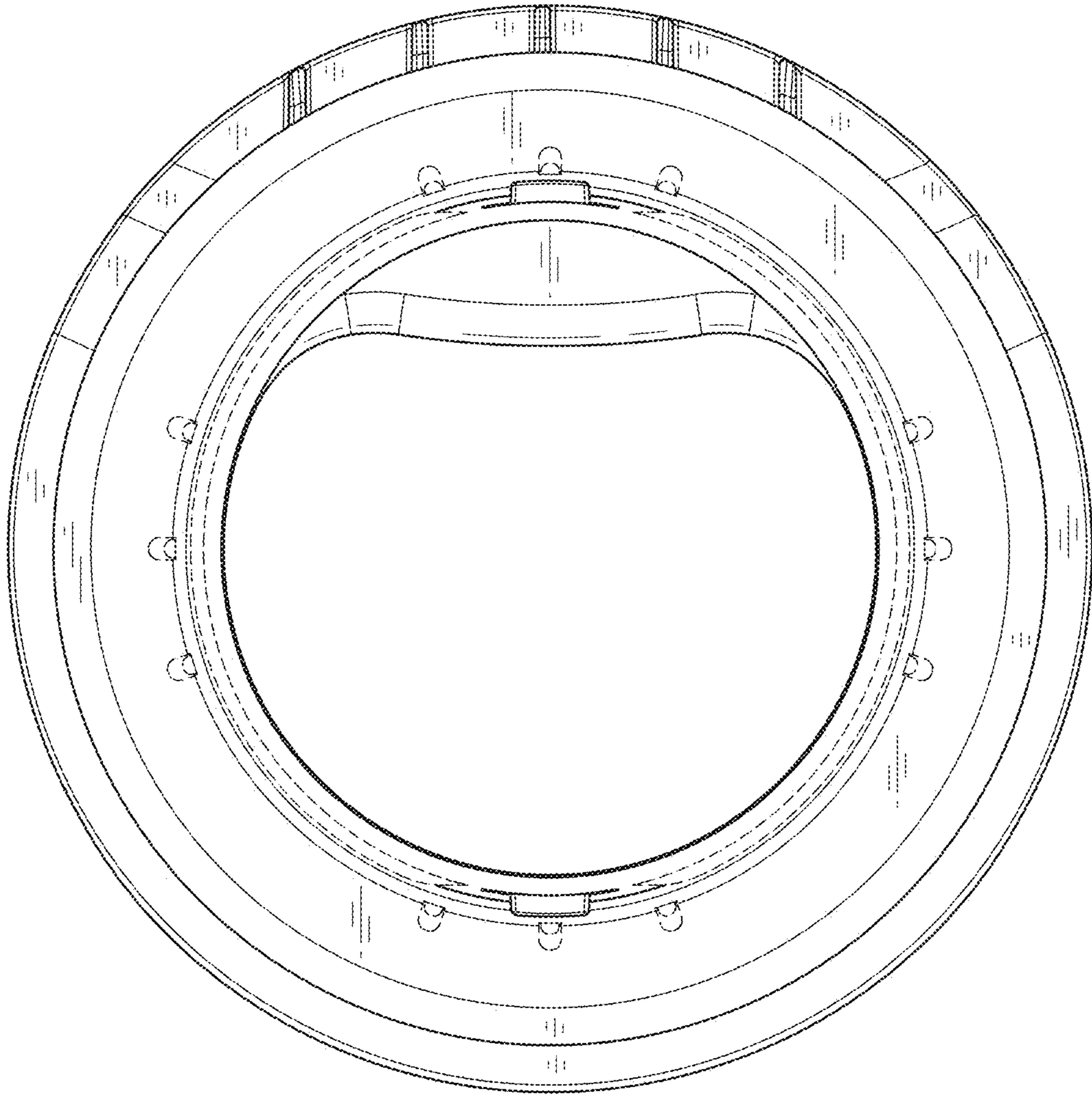


FIG. 3

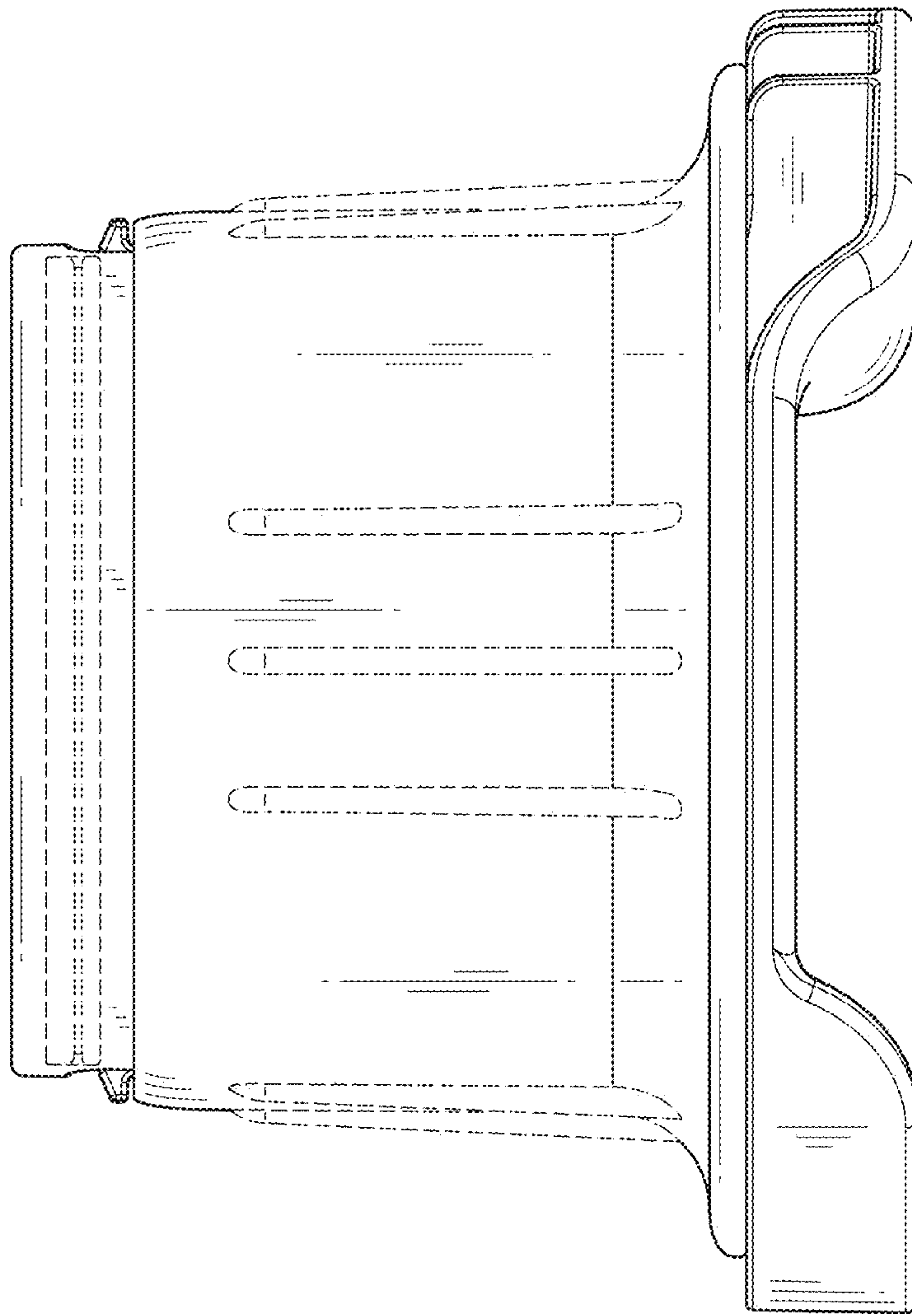


FIG. 4

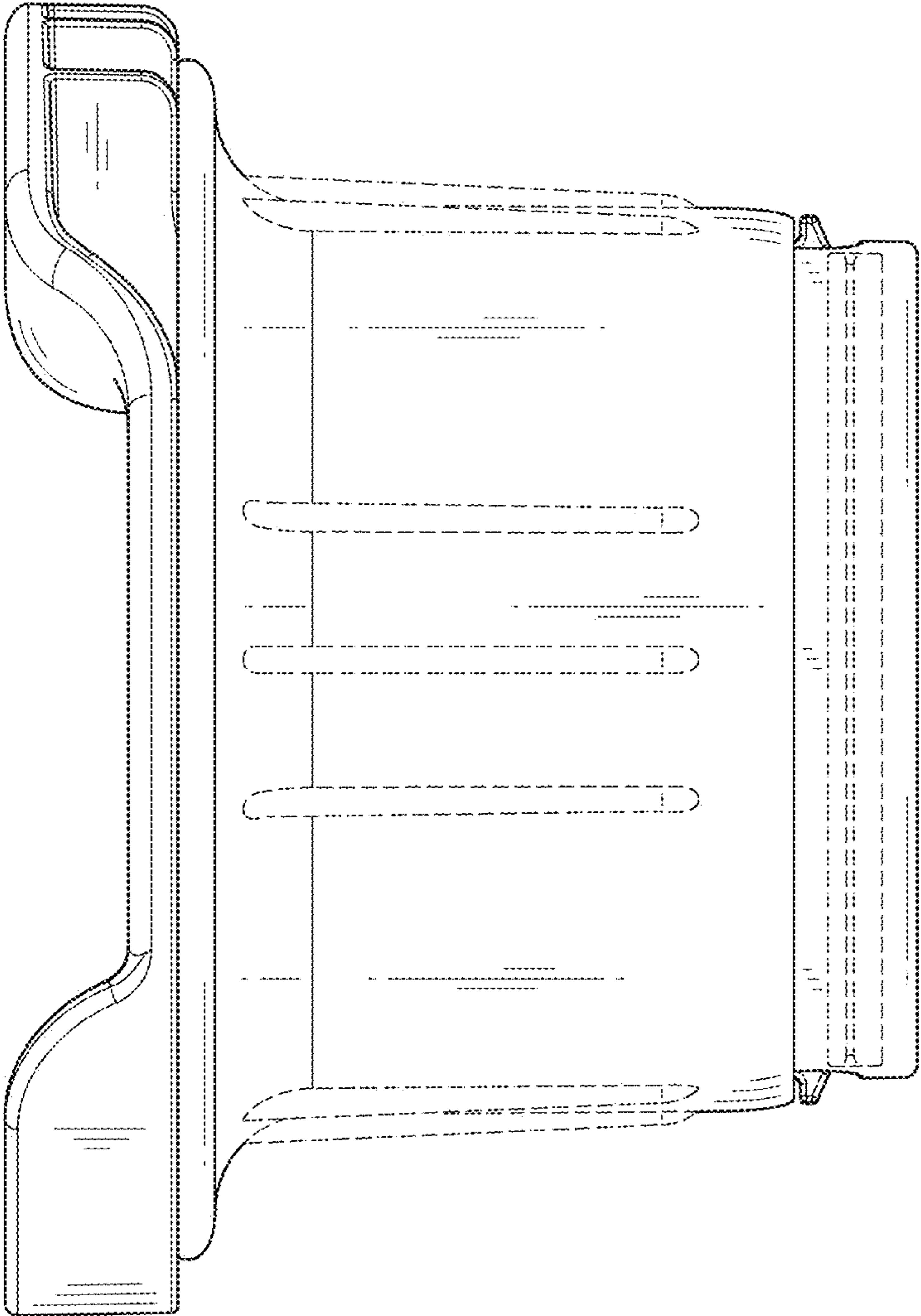


FIG. 5

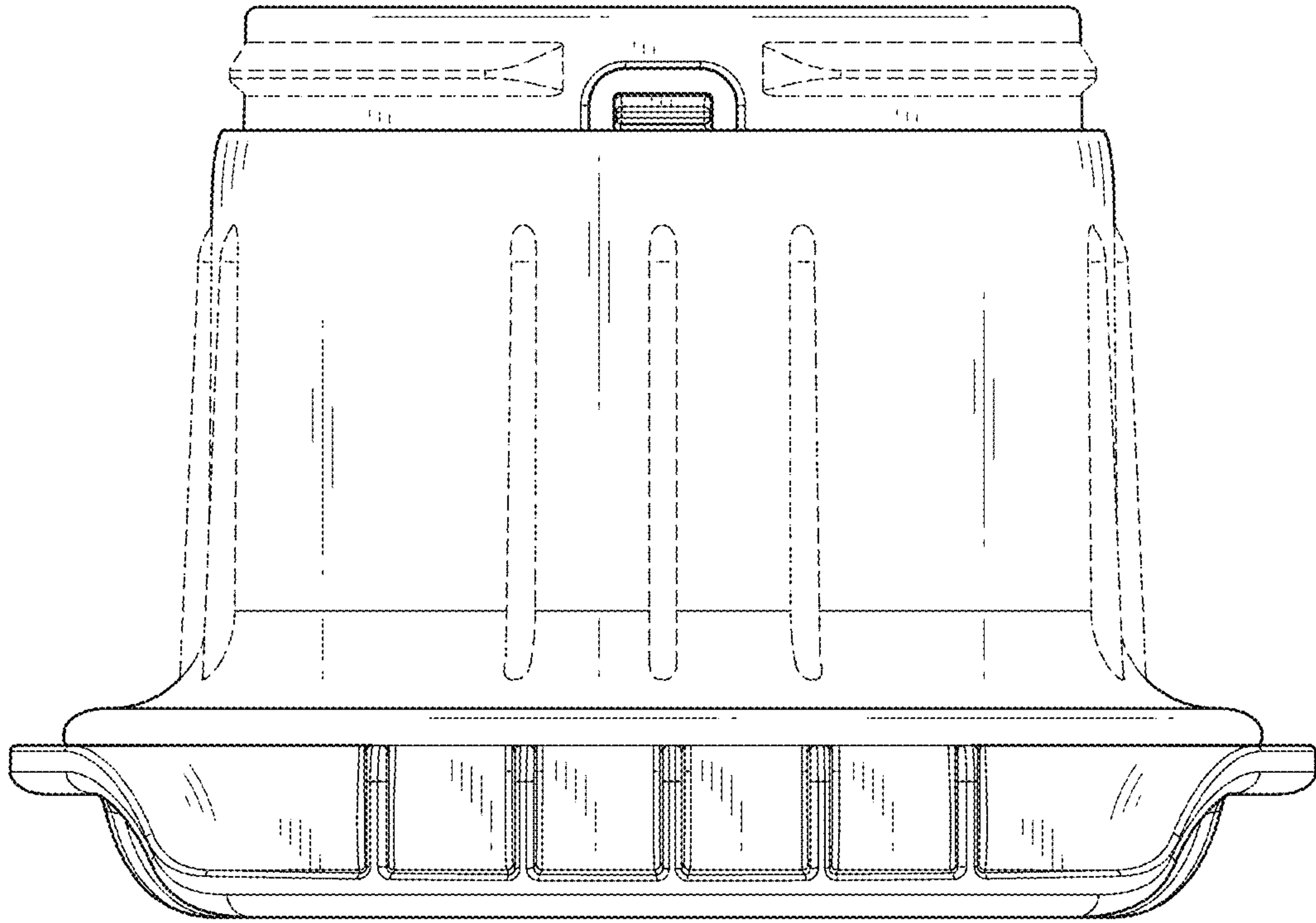


FIG. 6

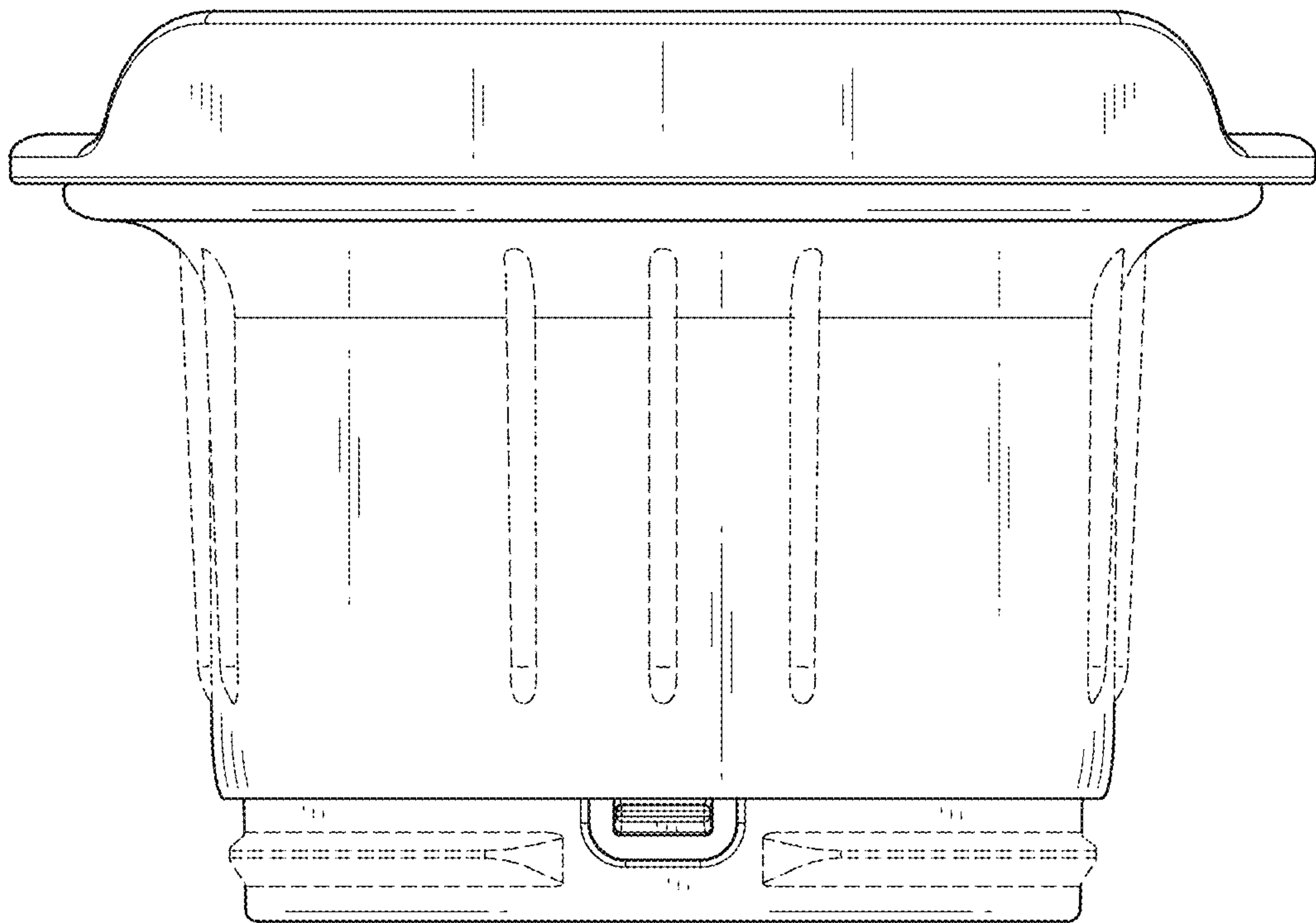


FIG. 7