



US00D899473S

(12) **United States Design Patent** (10) **Patent No.:** **US D899,473 S**
Wollenburg (45) **Date of Patent:** **** Oct. 20, 2020**

- (54) **RAIL**
- (71) Applicant: **Woodpeckers, LLC**, Strongsville, OH (US)
- (72) Inventor: **Benjamin T. Wollenburg**, North Olmsted, OH (US)
- (73) Assignee: **Woodpeckers, LLC**, Strongsville, OH (US)
- (**) Term: **15 Years**
- (21) Appl. No.: **29/699,750**
- (22) Filed: **Jul. 29, 2019**

D321,914 S *	11/1991	Tam	D20/43
D327,332 S *	6/1992	Clark	D25/124
D344,356 S *	2/1994	Clark	D25/124
D348,939 S *	7/1994	Larsson	D25/122
D418,231 S *	12/1999	DiGiorgio	D25/124
D501,564 S *	2/2005	Kuramochi	D25/122
D526,068 S *	8/2006	Schlangen	D25/119
D563,124 S *	3/2008	Walter	D25/124
7,383,670 B1 *	6/2008	Meyers	E04F 13/081
				D25/119
D577,445 S *	9/2008	Durrant	D25/164
D643,545 S *	8/2011	McDonald	D25/121
D692,593 S *	10/2013	Hansen	D25/124
D745,904 S *	12/2015	Geltinger	D15/138
D832,465 S *	10/2018	Hilliaho	D25/119

* cited by examiner

Primary Examiner — Llorellys Martinez

(74) *Attorney, Agent, or Firm* — Sand, Sebolt & Wernow Co., LPA

Related U.S. Application Data

- (63) Continuation-in-part of application No. 16/520,587, filed on Jul. 24, 2019.
- (51) **LOC (12) Cl.** **15-09**
- (52) **U.S. Cl.**
USPC **D15/140**
- (58) **Field of Classification Search**
USPC D15/138–141; D8/354, 373, 374, 376, D8/377; D25/35, 119–125
CPC B27C 1/00; B27C 1/14; B27C 5/00; B27C 5/10; B23C 1/007; B23C 2220/40; B23C 3/002; B23C 3/005
See application file for complete search history.

(57) **CLAIM**

The ornamental design for a rail, as shown and described.

DESCRIPTION

FIG. 1 is an isometric perspective view of a rail in accordance with our design;
 FIG. 2 is a right side elevation view thereof;
 FIG. 3 is a front elevation view thereof;
 FIG. 4 is a rear elevation view thereof;
 FIG. 5 is a left side elevation view thereof;
 FIG. 6 is a bottom plan view thereof; and,
 FIG. 7 is a top plan view thereof.

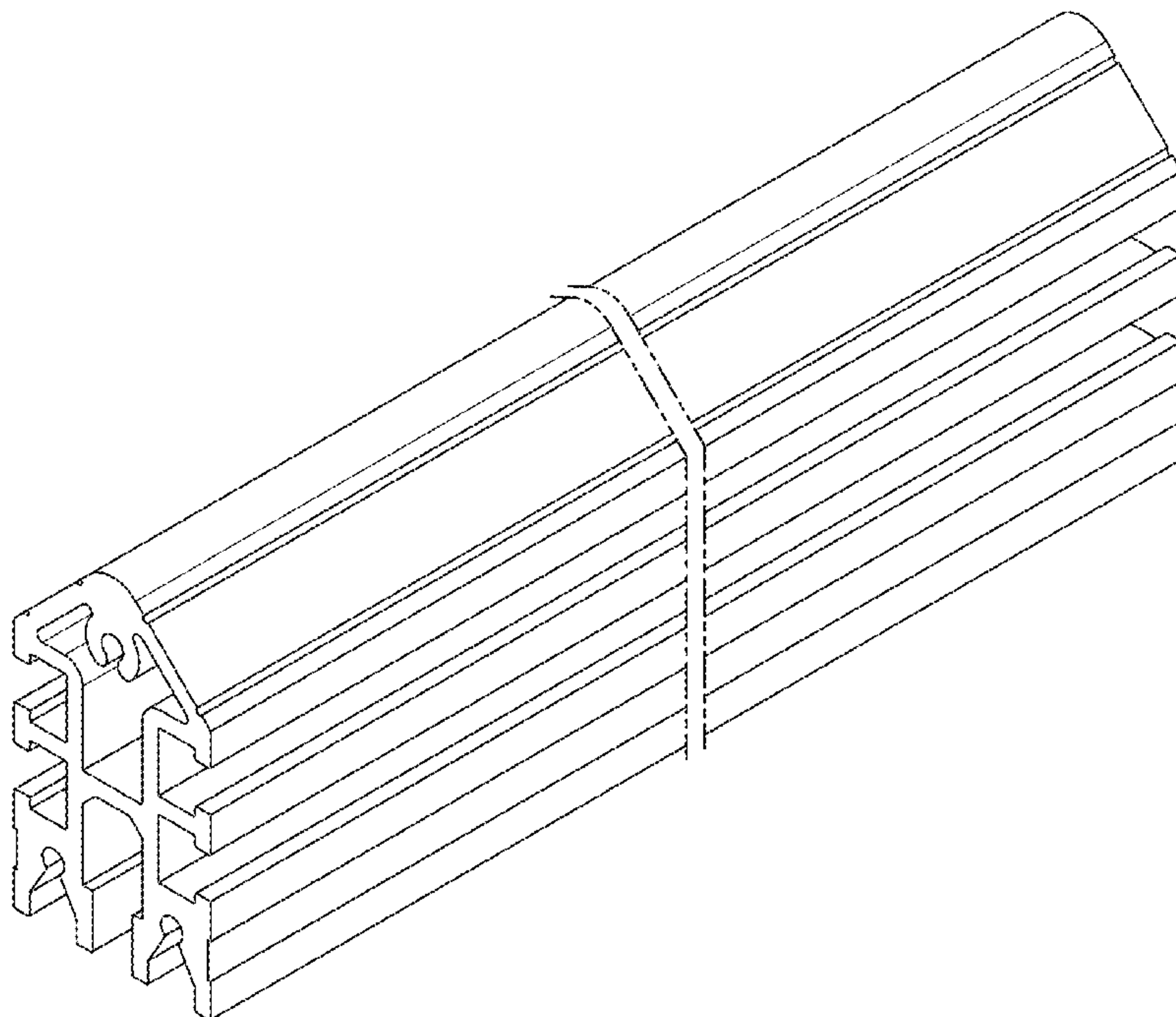
The rail is shown with a symbolic break in its length. The appearance of any portion of the rail between the break lines forms no part of the claimed design.

(56) **References Cited**

U.S. PATENT DOCUMENTS

D269,910 S *	7/1983	Johansson	D25/124
D275,324 S *	8/1984	Wahlin	D25/124
D310,376 S *	9/1990	Johnsen	D15/140

1 Claim, 4 Drawing Sheets



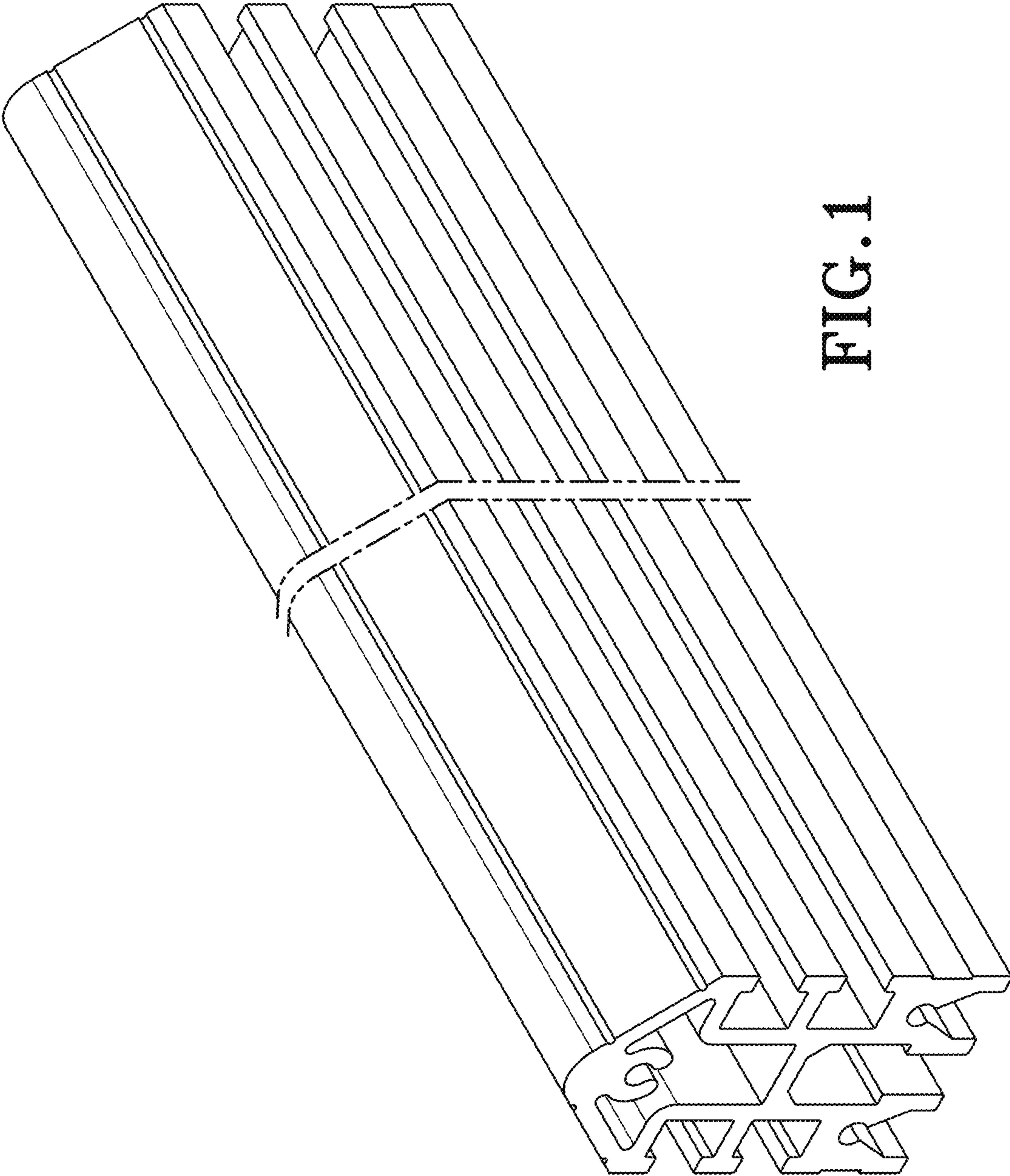


FIG. 1

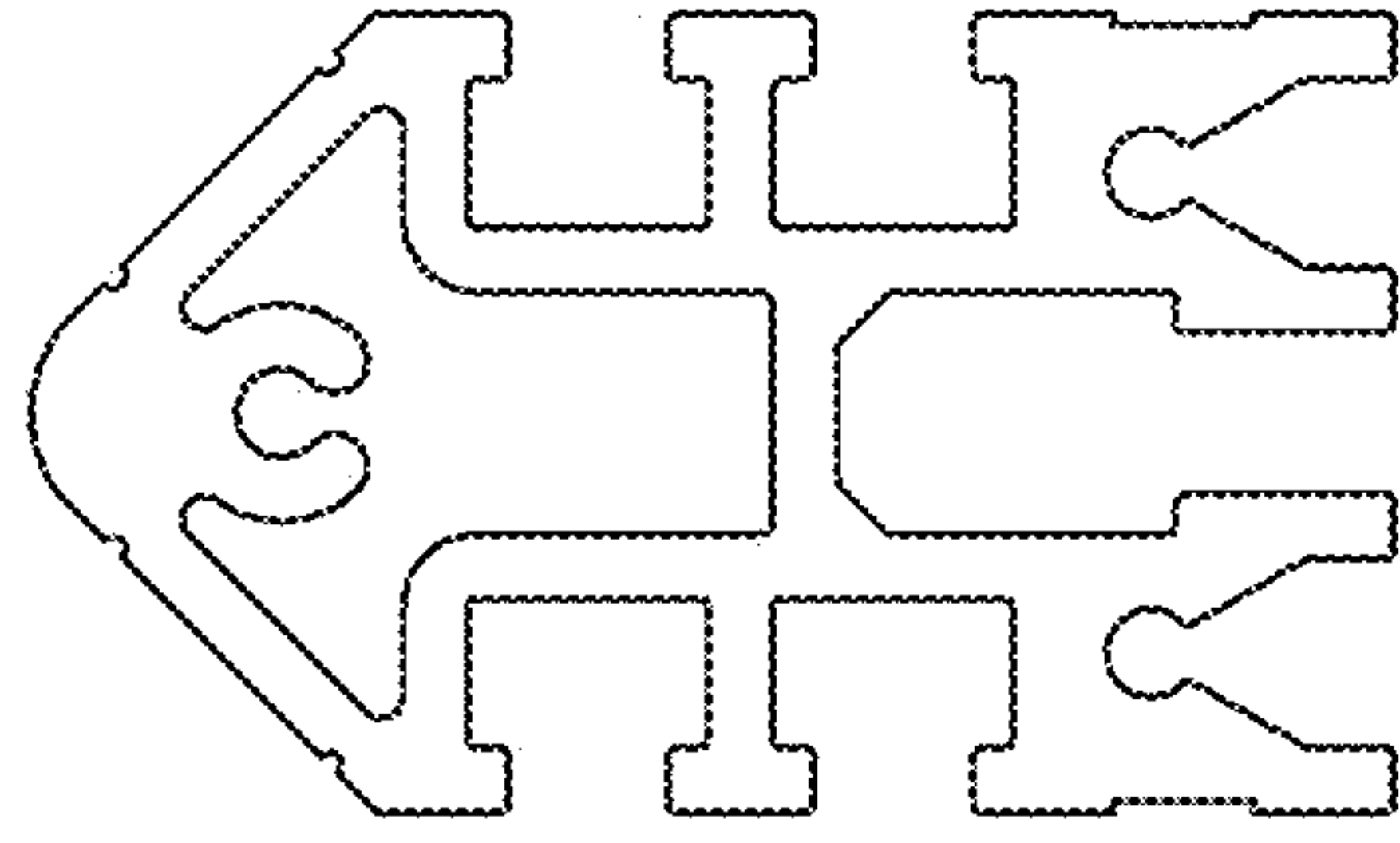


FIG. 3

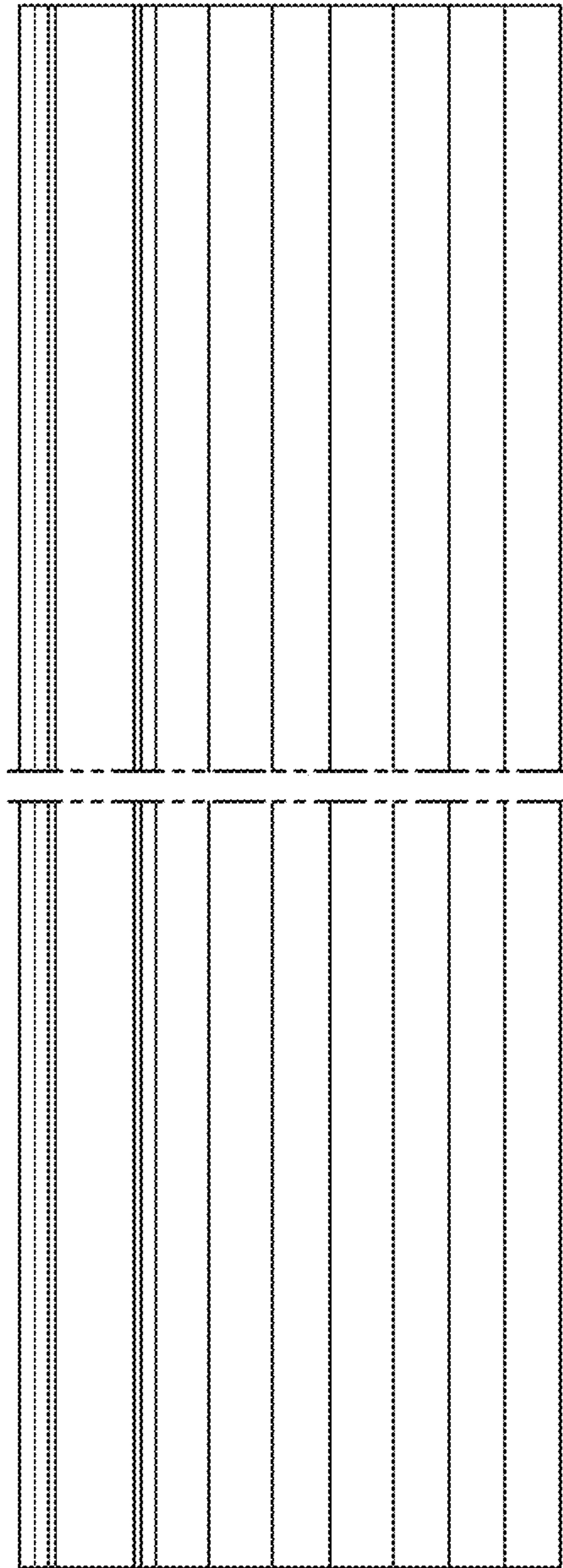


FIG. 2

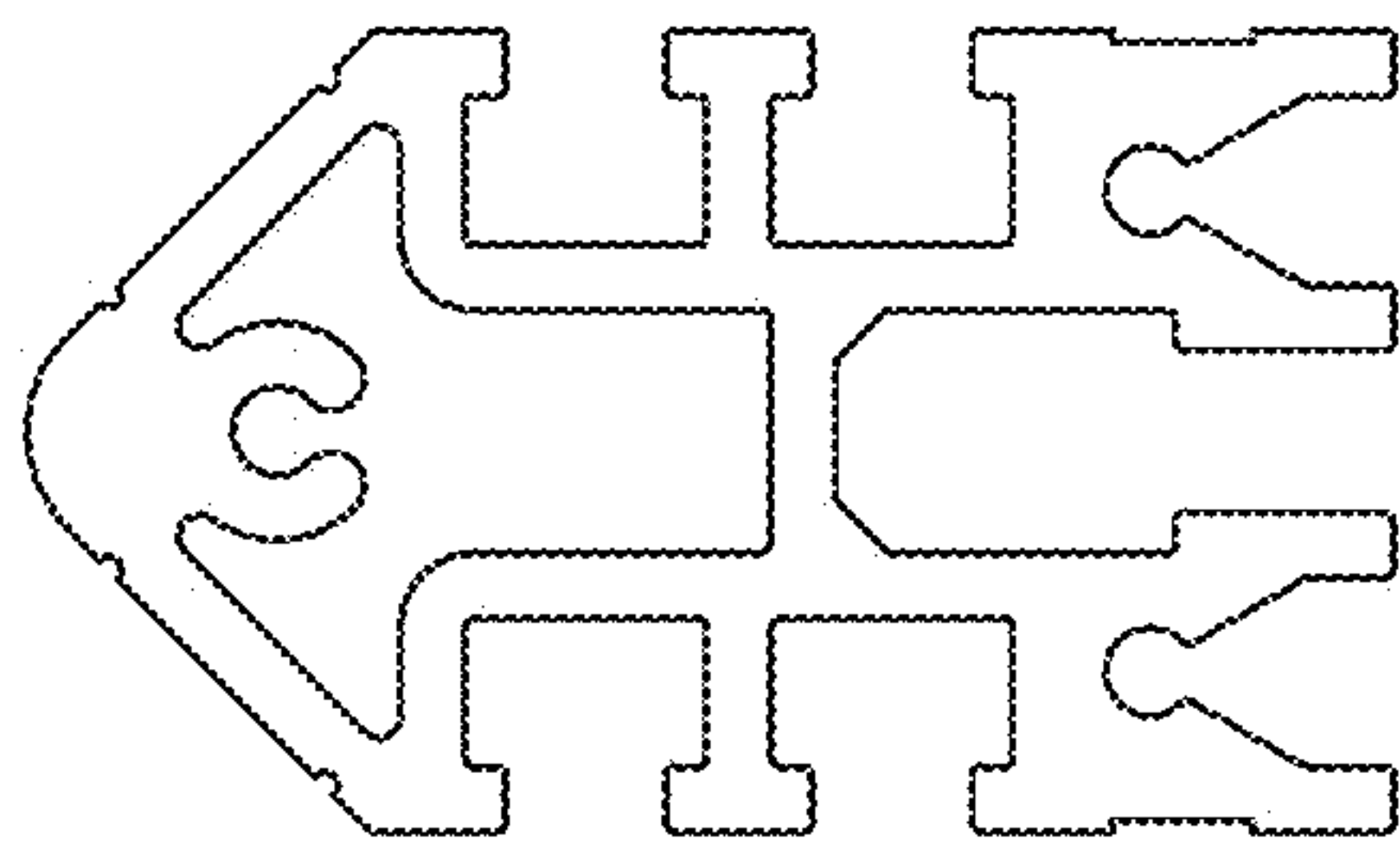


FIG. 4

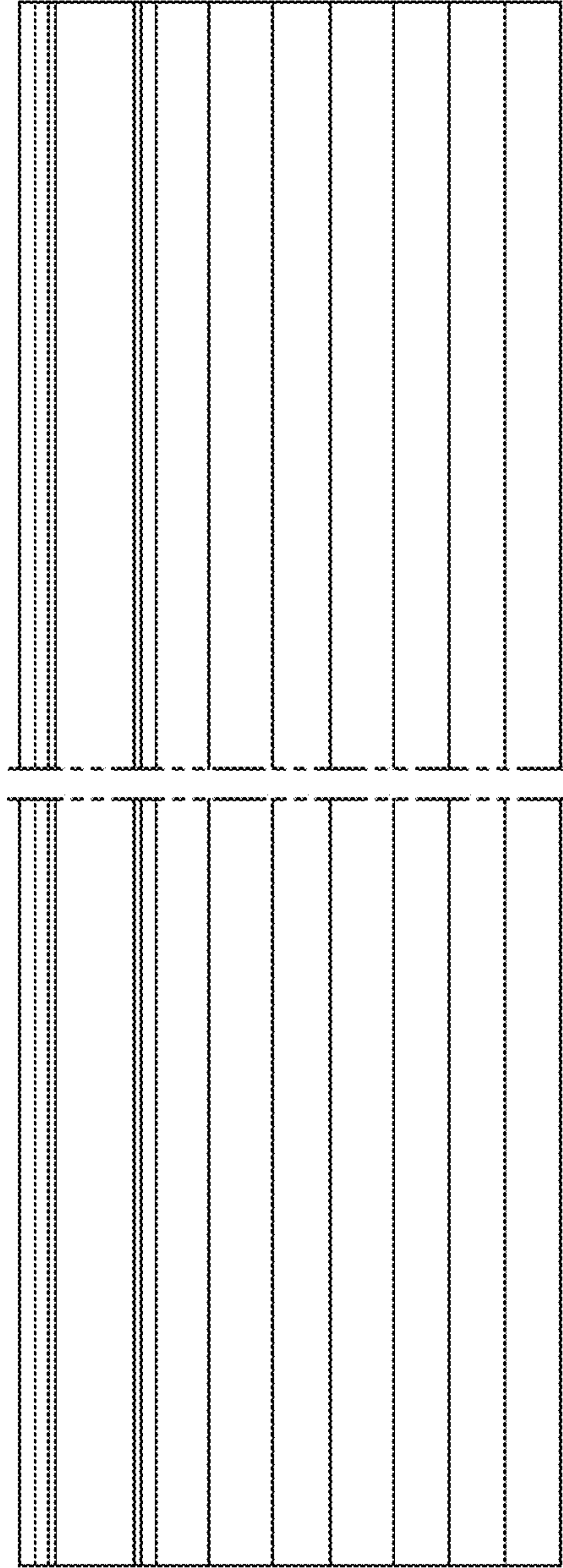


FIG. 5

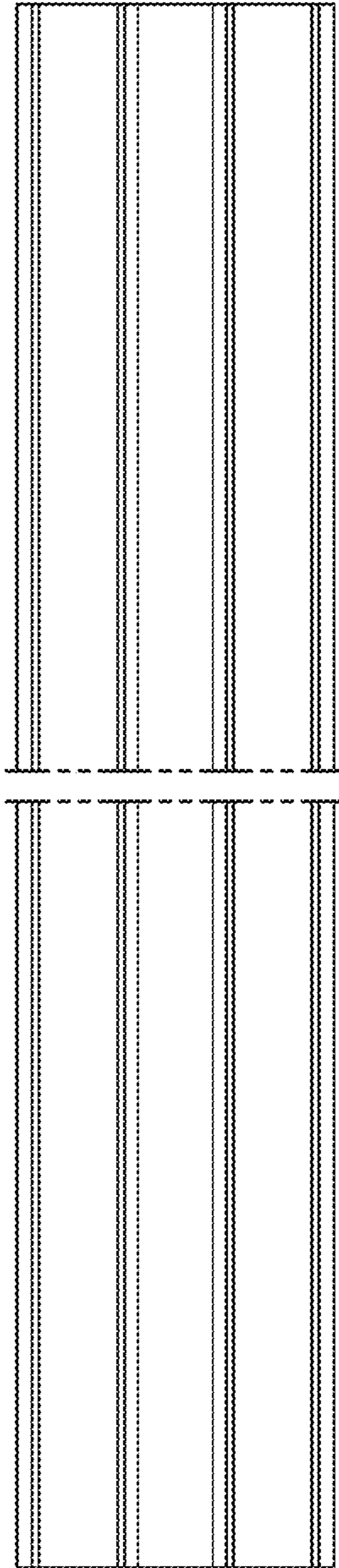


FIG. 6

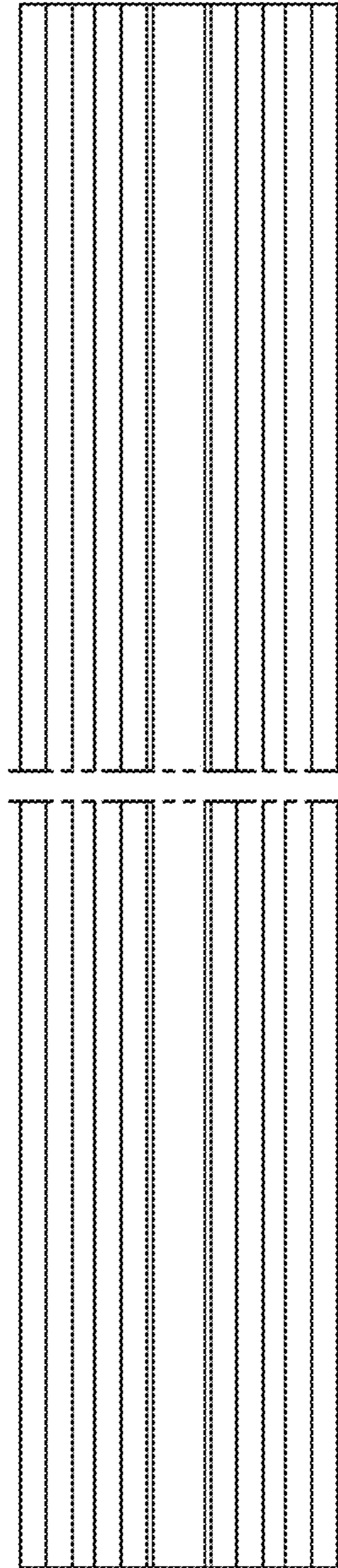


FIG. 7