



US00D899471S

(12) **United States Design Patent** (10) **Patent No.:** **US D899,471 S**
Liu (45) **Date of Patent:** **** Oct. 20, 2020**

(54) **MECHANICAL OUTPUT COMPONENT OF A 3D PRINTER KIT**

2015/0079217 A1* 3/2015 Oudsen B29C 64/20
425/375
2015/0321426 A1* 11/2015 Lee B33Y 10/00
264/40.7
2016/0096323 A1* 4/2016 Fry B29C 64/106
264/308

(71) Applicant: **Shenzhen Creality 3D Technology Co., LTD.**, Guangdong (CN)

(72) Inventor: **Huilin Liu**, Guangdong (CN)

* cited by examiner

(**) Term: **15 Years**

Primary Examiner — Khawaja Anwar

(21) Appl. No.: **29/632,090**

(74) *Attorney, Agent, or Firm* — Prakash Nama; Global IP Services, PLLC

(22) Filed: **Jan. 5, 2018**

(51) **LOC (12) Cl.** **15-03**

(52) **U.S. Cl.**
USPC **D15/122**

(57) **CLAIM**

(58) **Field of Classification Search**

The ornamental design for a mechanical output component of a 3D printer kit, as shown and described.

USPC D15/122, 135, 138, 145, 146; D18/6, 7, D18/14, 19, 50, 54.1, 55
CPC G06T 11/206; G06T 11/60; G06T 15/00; G06T 2207/30201; G06T 7/0012; G06T 7/11; G06T 11/001; G06T 11/003; G06T 11/40; G06T 13/00; G06T 15/005; G06T 15/02; G06T 15/04; G06T 15/10; G06T 15/20; G06T 15/503; G06T 15/60; G06T 15/80; G06T 19/00; G06T 19/20; G06T 1/20; G06T 2200/24; G06T 2207/10024; G06T 2207/10068; G06T 2207/10132; G06T 2207/20221; G06T 2207/30028; G06T 2207/30048; G06T 2207/30104; G06T 7/00; G06T 7/149; G06T 7/248; G06T 7/64

See application file for complete search history.

(56) **References Cited**

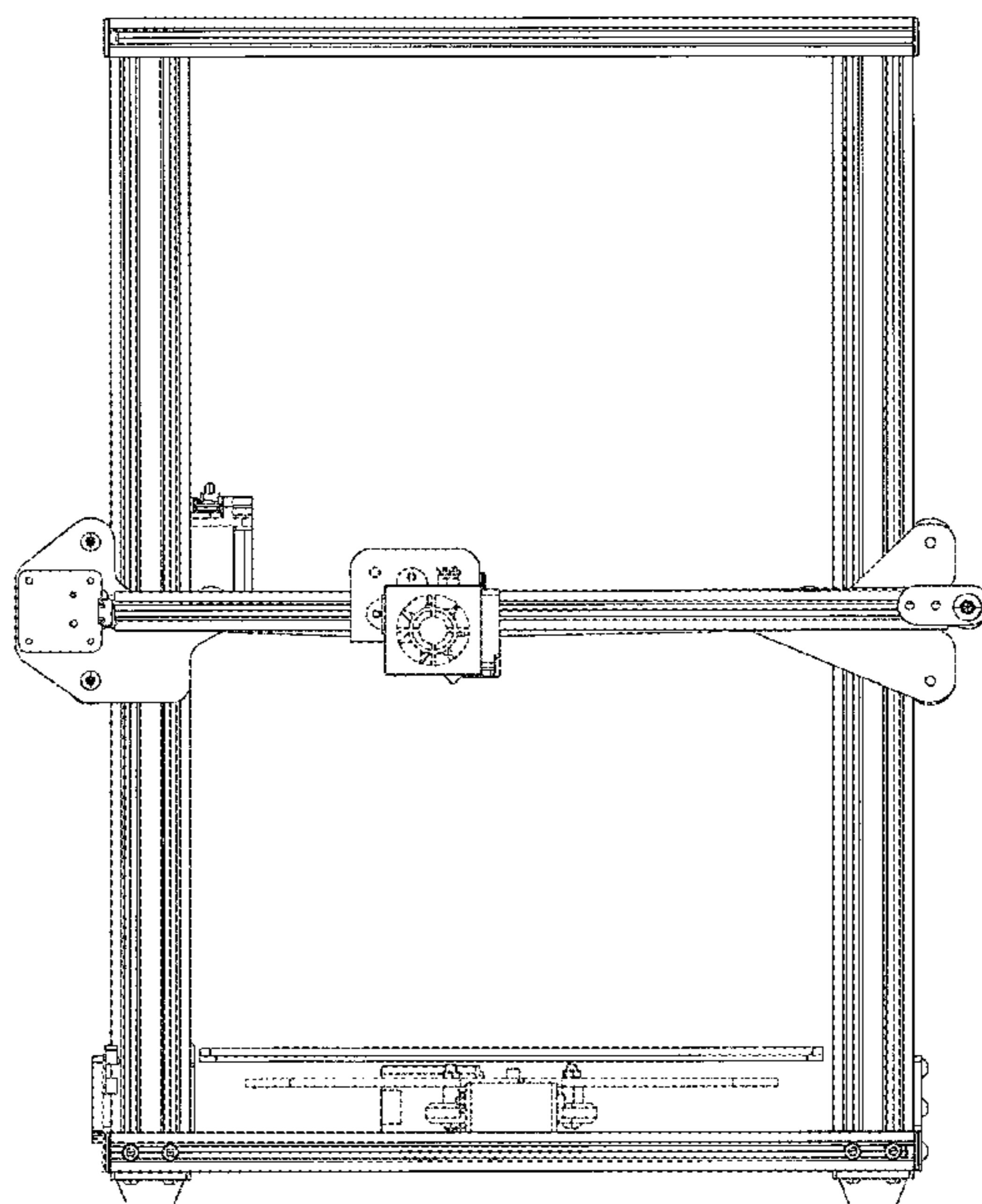
U.S. PATENT DOCUMENTS

D835,690 S * 12/2018 Issa D15/122
D861,749 S * 10/2019 Besim D15/122

DESCRIPTION

FIG. 1 is a front elevational view of a mechanical output component of a 3D printer kit;
FIG. 2 is a rear elevational view of FIG. 1;
FIG. 3 is a left side view of FIG. 1;
FIG. 4 is a right side view of FIG. 1;
FIG. 5 is a bottom plan view of FIG. 1; and,
FIG. 6 is a perspective view of the mechanical output component of a 3D printer kit.
The broken lines shown in the figures illustrate portions of the mechanical output component of a 3D printer kit that form no part of the claimed design, except that the broken lines illustrating an electrical input component of the 3D printer kit and the connecting wires are environmental features which also do not form part of the claimed design.

1 Claim, 6 Drawing Sheets



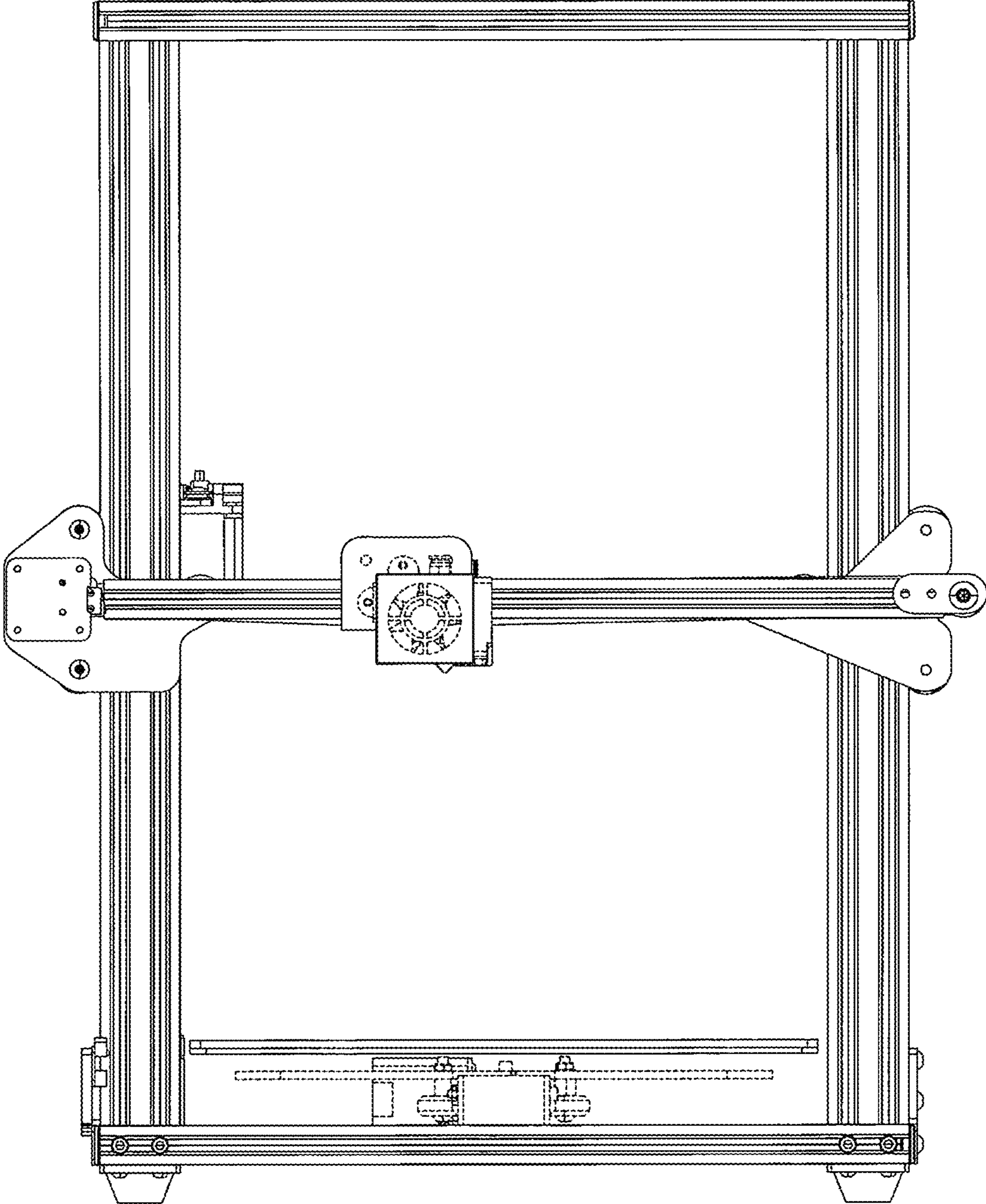


Fig. 1

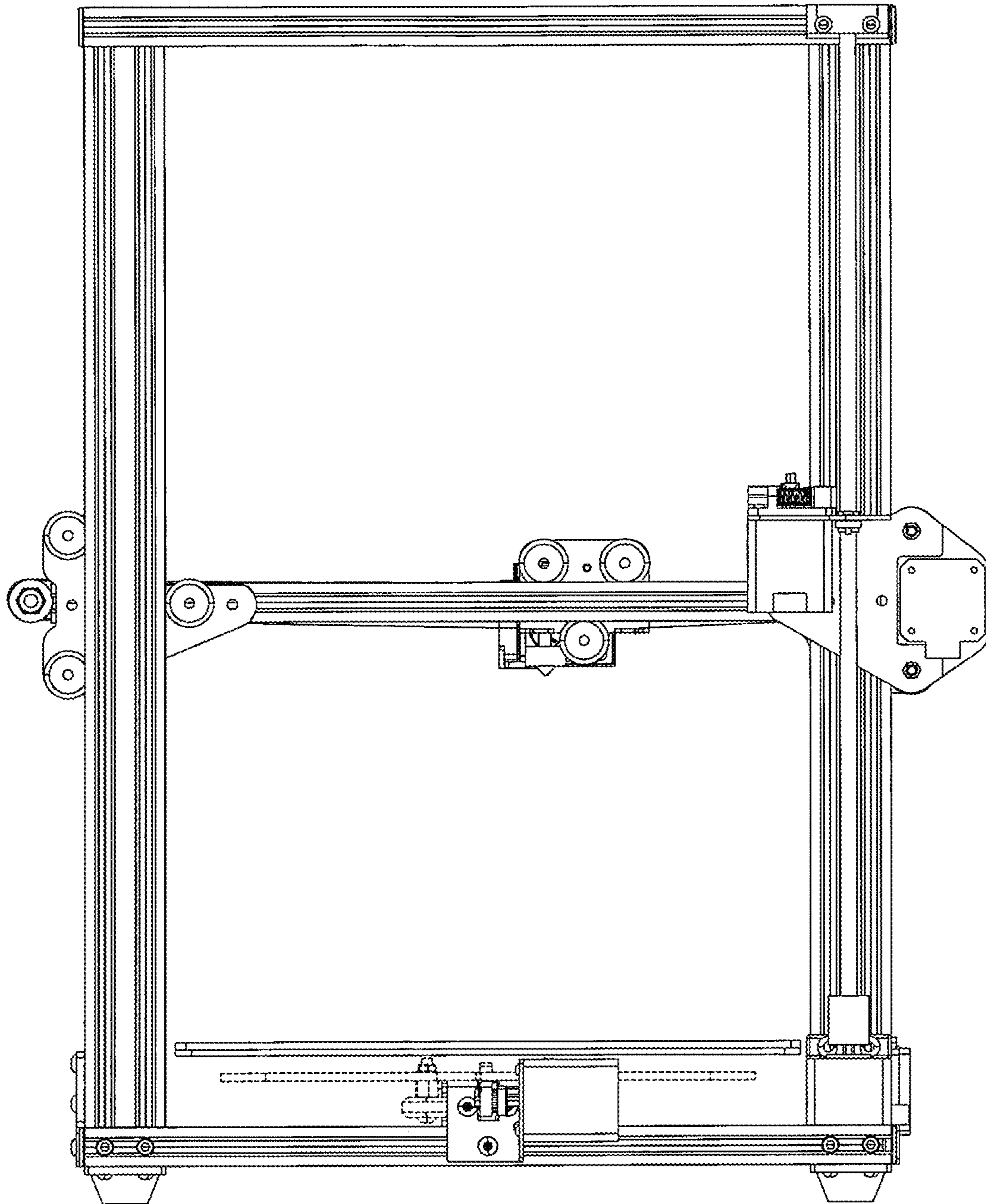


Fig. 2

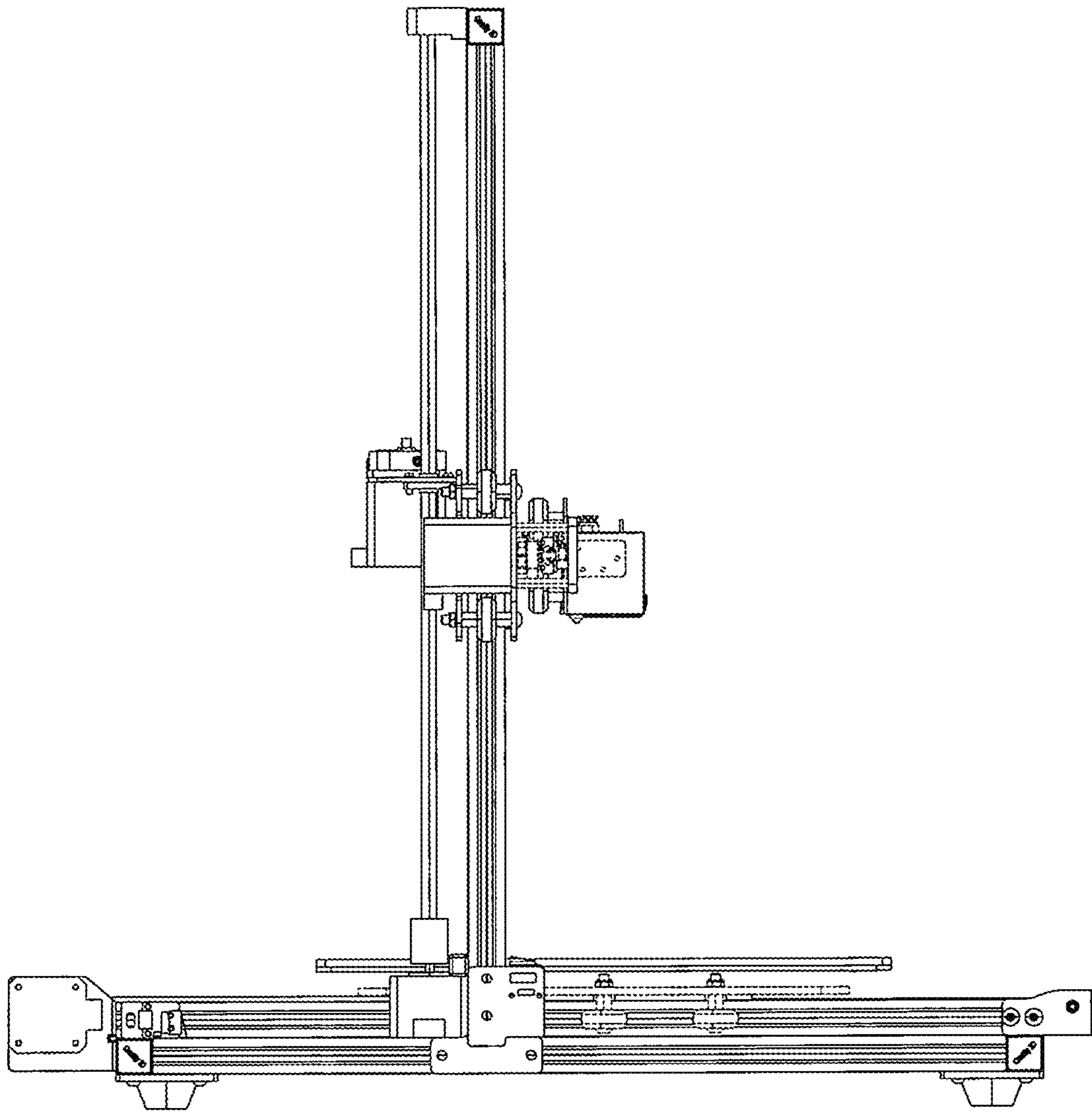


Fig. 3

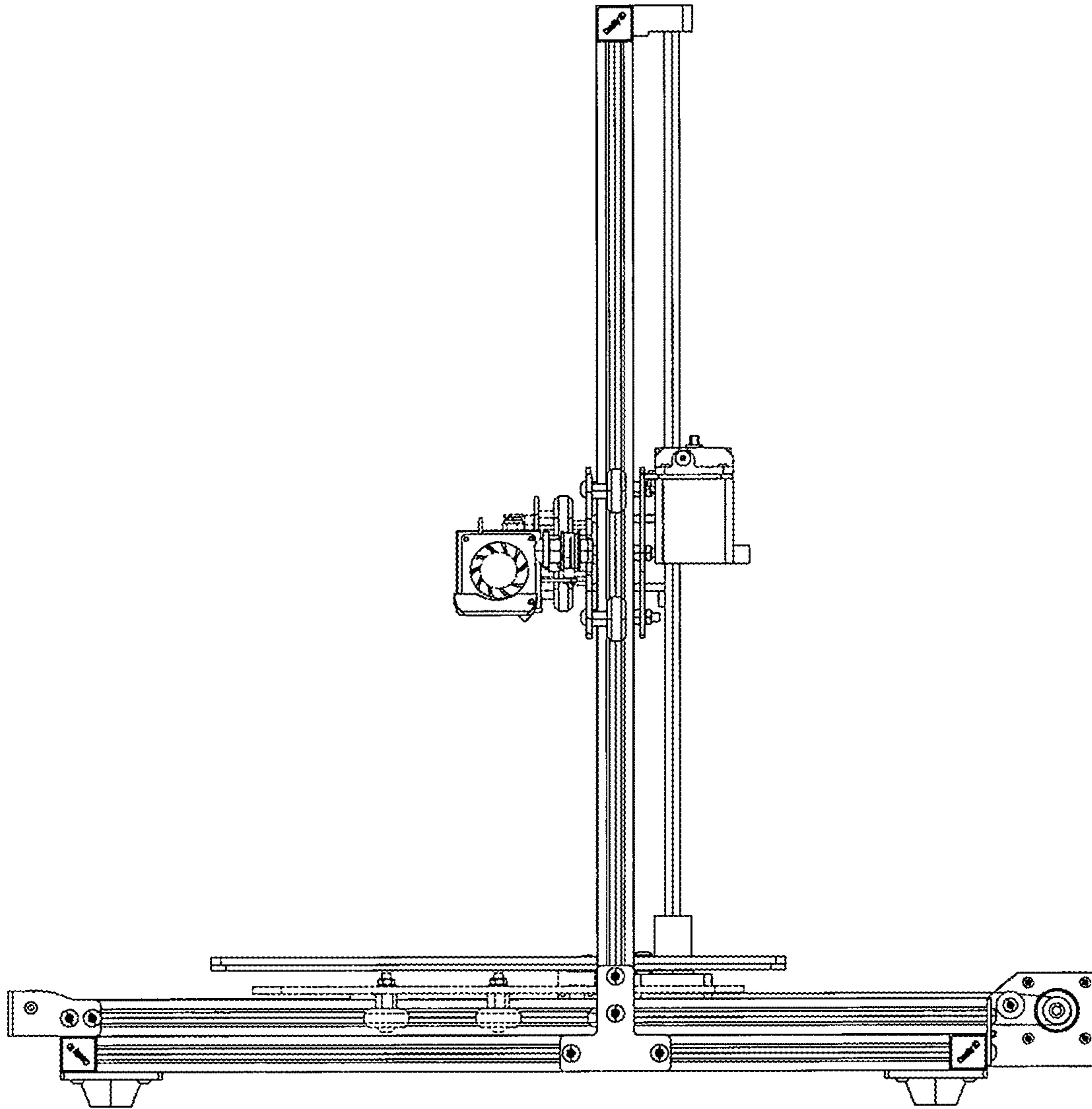


Fig. 4

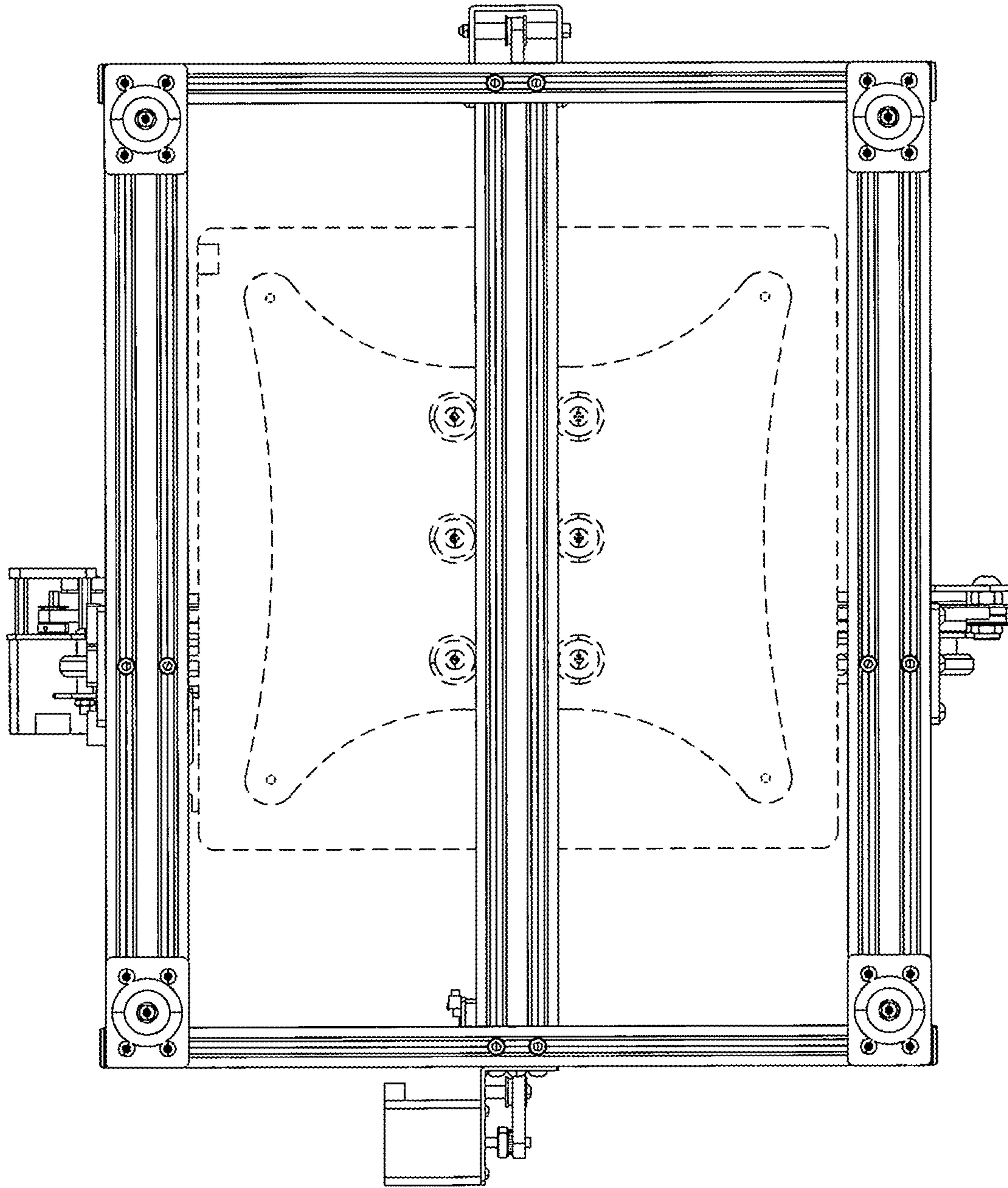


Fig. 5

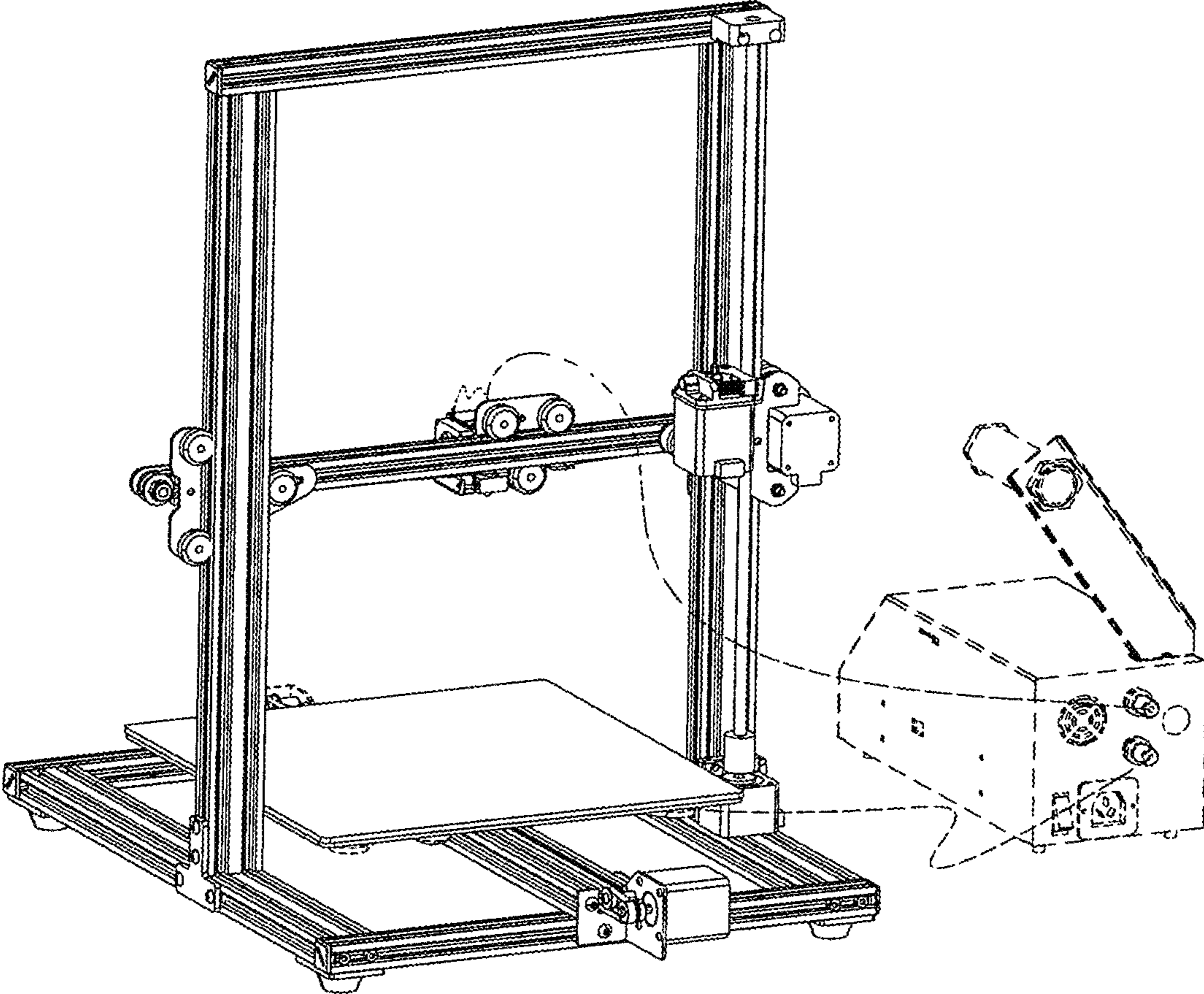


Fig. 6