



US00D899470S

(12) **United States Design Patent** (10) **Patent No.:** **US D899,470 S**
Liu (45) **Date of Patent:** **** Oct. 20, 2020**

(54) **ICE MAKING MOLD**

(56) **References Cited**

(71) Applicant: **SHENZHEN LEFANNI TECHNOLOGY CO., LTD.**, Shenzhen (CN)

U.S. PATENT DOCUMENTS

(72) Inventor: **Xingzhong Liu**, Shenzhen (CN)

D271,769 S	12/1983	Daenen et al.	
D292,802 S	11/1987	Fails	
D597,565 S	8/2009	Lion et al.	
D634,761 S	3/2011	Sicarelli	
D676,470 S	2/2013	Norin et al.	
D847,222 S *	4/2019	Todirca	D15/90
D852,237 S	6/2019	Helton	
D852,854 S *	7/2019	Helton	D15/90
D857,766 S	8/2019	Tseng	
D865,821 S	11/2019	Richardson	
D882,648 S *	4/2020	Peng	D15/90

(73) Assignee: **SHENZHEN LEFANNI TECHNOLOGY CO., LTD.**, Shenzhen (CN)

(**) Term: **15 Years**

* cited by examiner

(21) Appl. No.: **29/720,328**

Primary Examiner — Khawaja Anwar

(22) Filed: **Jan. 12, 2020**

(74) *Attorney, Agent, or Firm* — Law Offices of Steven W. Weinrieb

(51) **LOC (12) Cl.** **15-07**

(52) **U.S. Cl.**
USPC **D15/90**

(57) **CLAIM**

The ornamental design for an ice making mold, as shown and described.

(58) **Field of Classification Search**

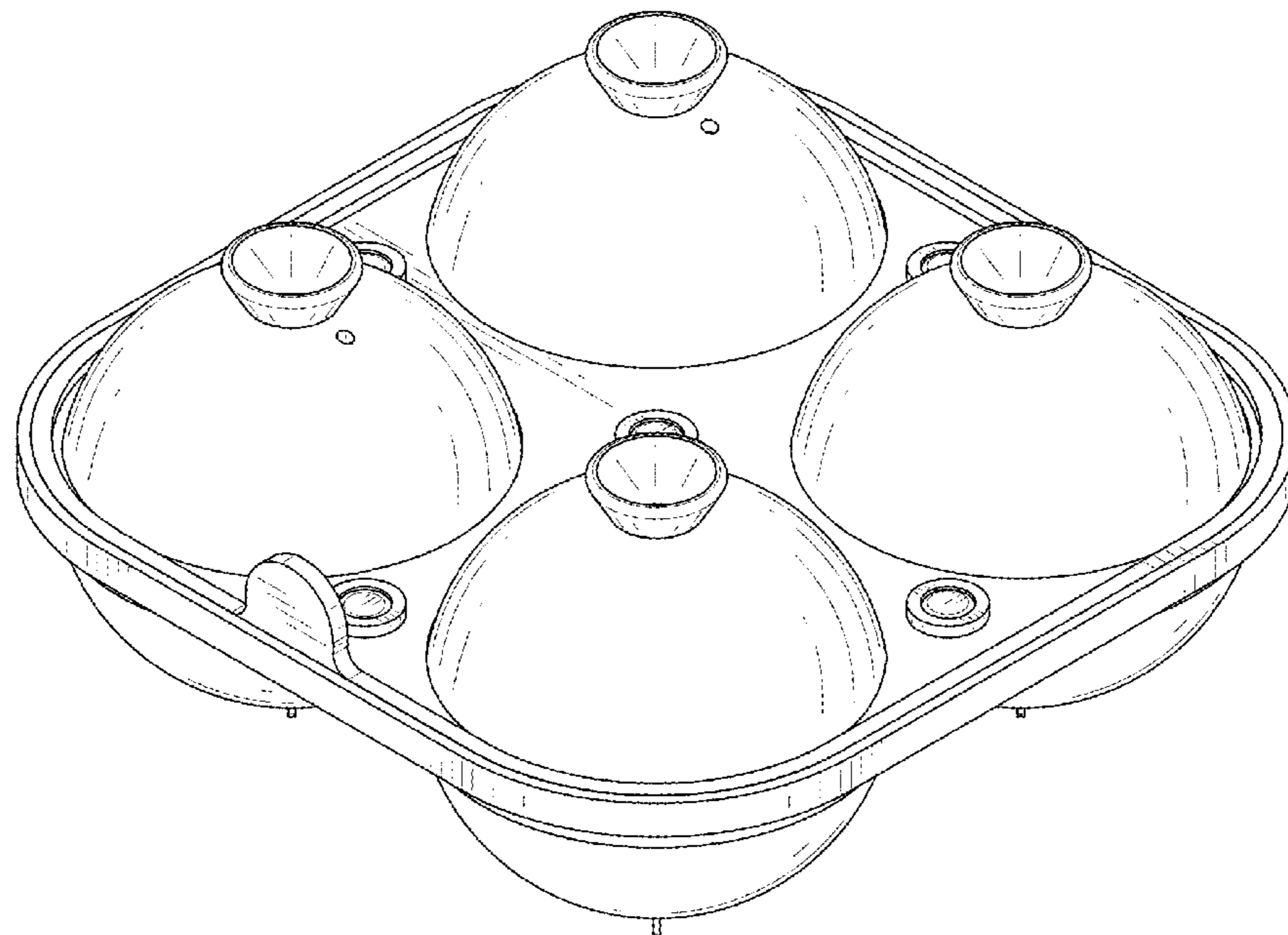
DESCRIPTION

USPC D15/79-91; D7/619.1, 603, 213, 305, D7/602, 619.2, 701, 708, 600.1
CPC .. F25D 11/00; F25D 17/065; F25D 2325/022; F25D 23/069; F25D 25/025; F25D 11/02; F25D 17/062; F25D 21/12; F25D 21/125; F25D 21/14; F25D 2317/061; F25D 2317/067; F25D 2323/021; F25D 2323/024; F25D 23/028; F25D 23/04; F25D 23/066; F25D 23/085; F25D 23/087; F25D 23/126; F25D 2400/02; F25D 2400/06; F25D 2400/361; F25D 2400/40; F25D 25/005; F25D 25/02; F25D 2600/02; F25D 2700/02; F25D 2700/12; F25D 2700/121; F25D 2700/14; F25D 29/00

FIG. 1 is a front, right side, top perspective view of an ice making mold showing my new design;
FIG. 2 is a front elevational view thereof;
FIG. 3 is a rear elevational view thereof;
FIG. 4 is a left side elevational view thereof;
FIG. 5 is a right side elevational view thereof;
FIG. 6 is a top plan view thereof;
FIG. 7 is a bottom plan view thereof; and,
FIG. 8 is a front, right side, top perspective view of the ice making mold when its two upper and lower segments are separated from each other.
The broken depict portions of the ice making mold that form no part of the claimed design.

See application file for complete search history.

1 Claim, 8 Drawing Sheets



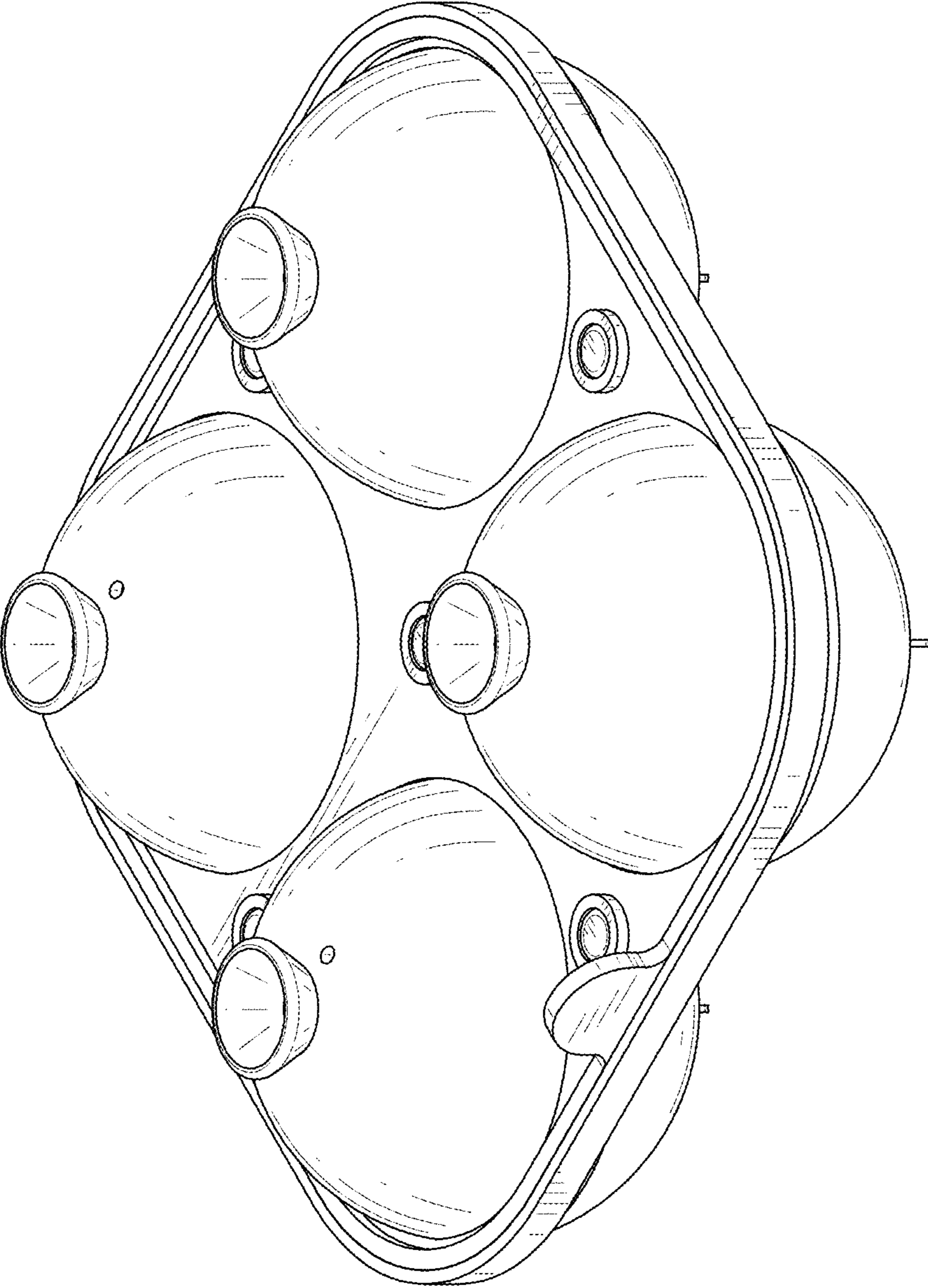


FIG.1

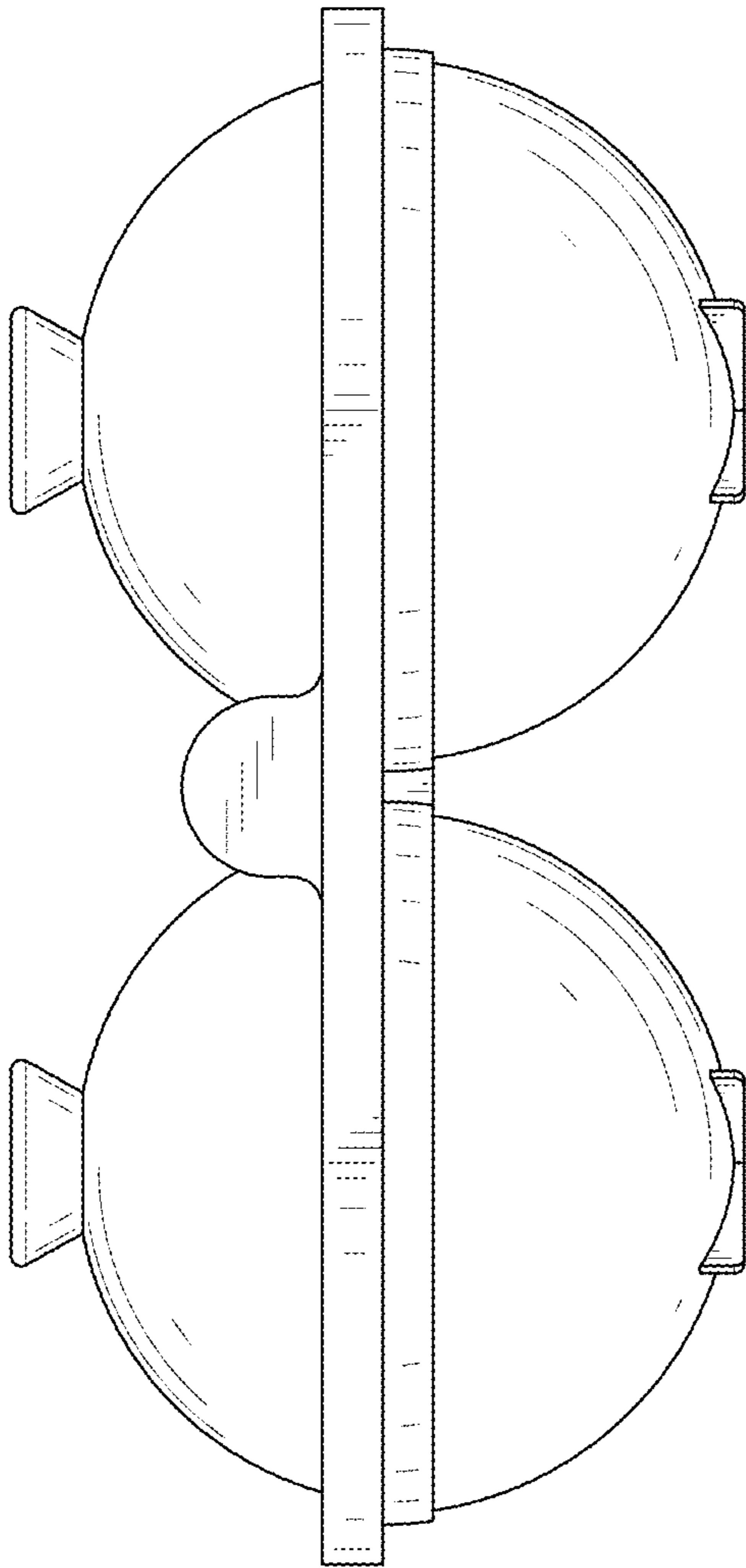


FIG.2

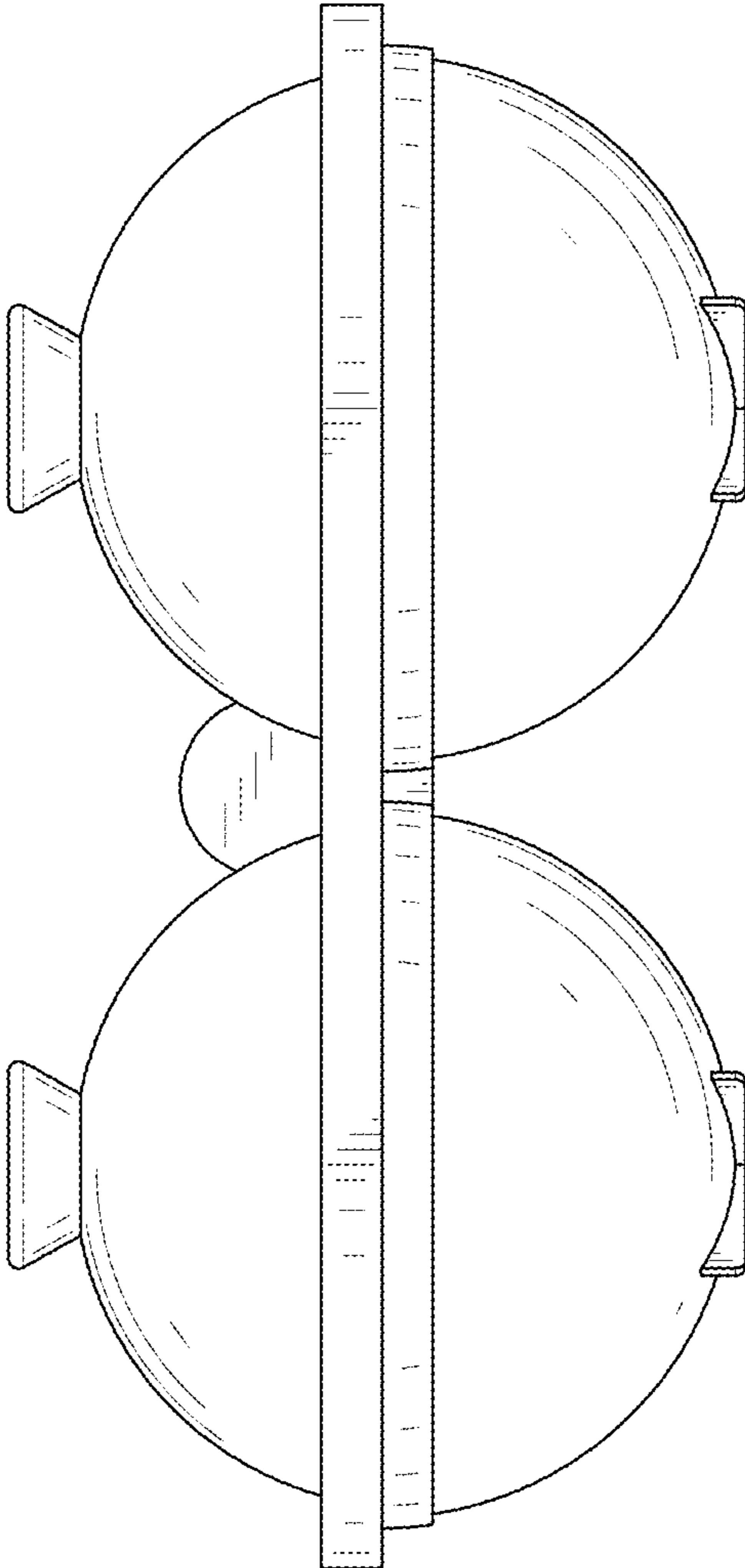


FIG.3

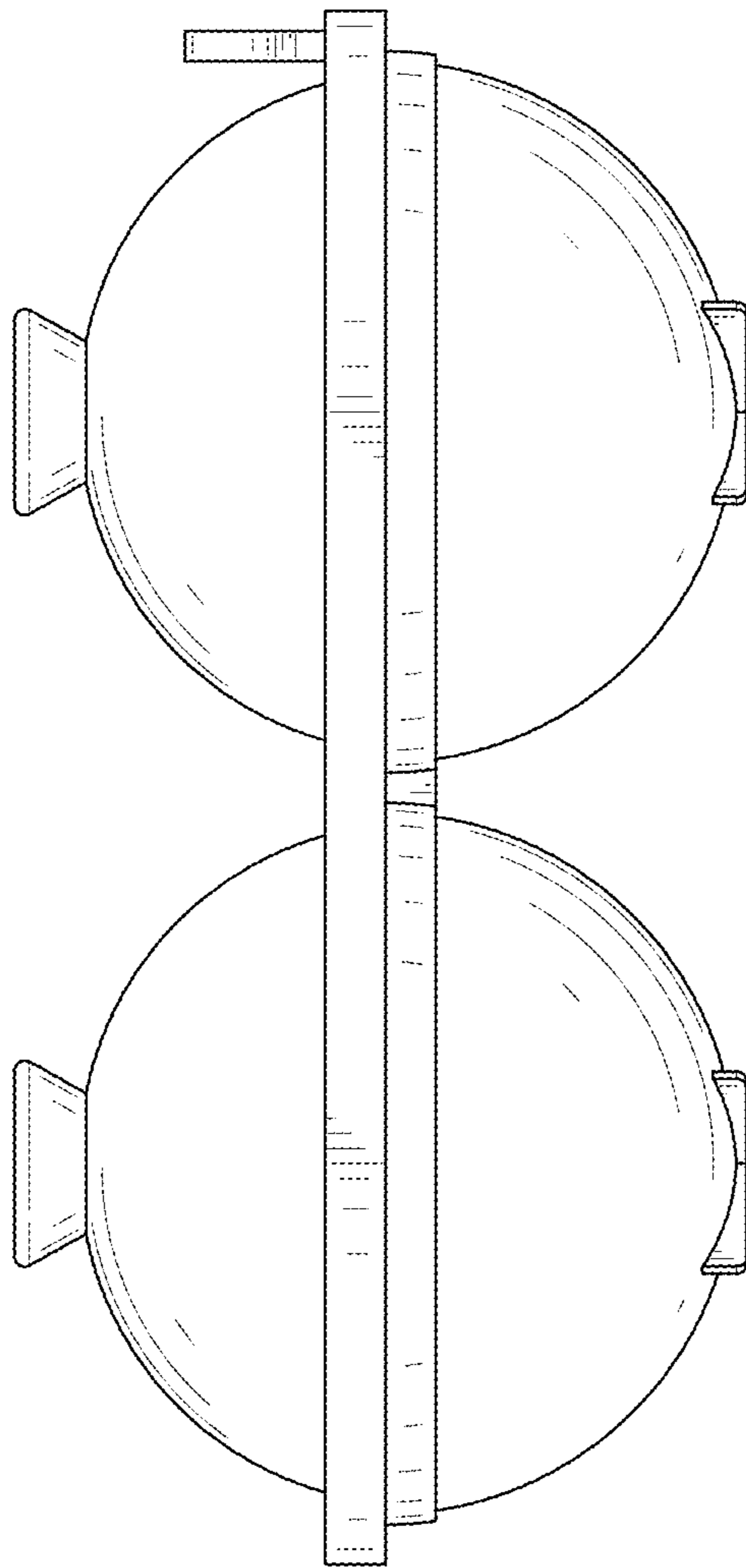


FIG.4

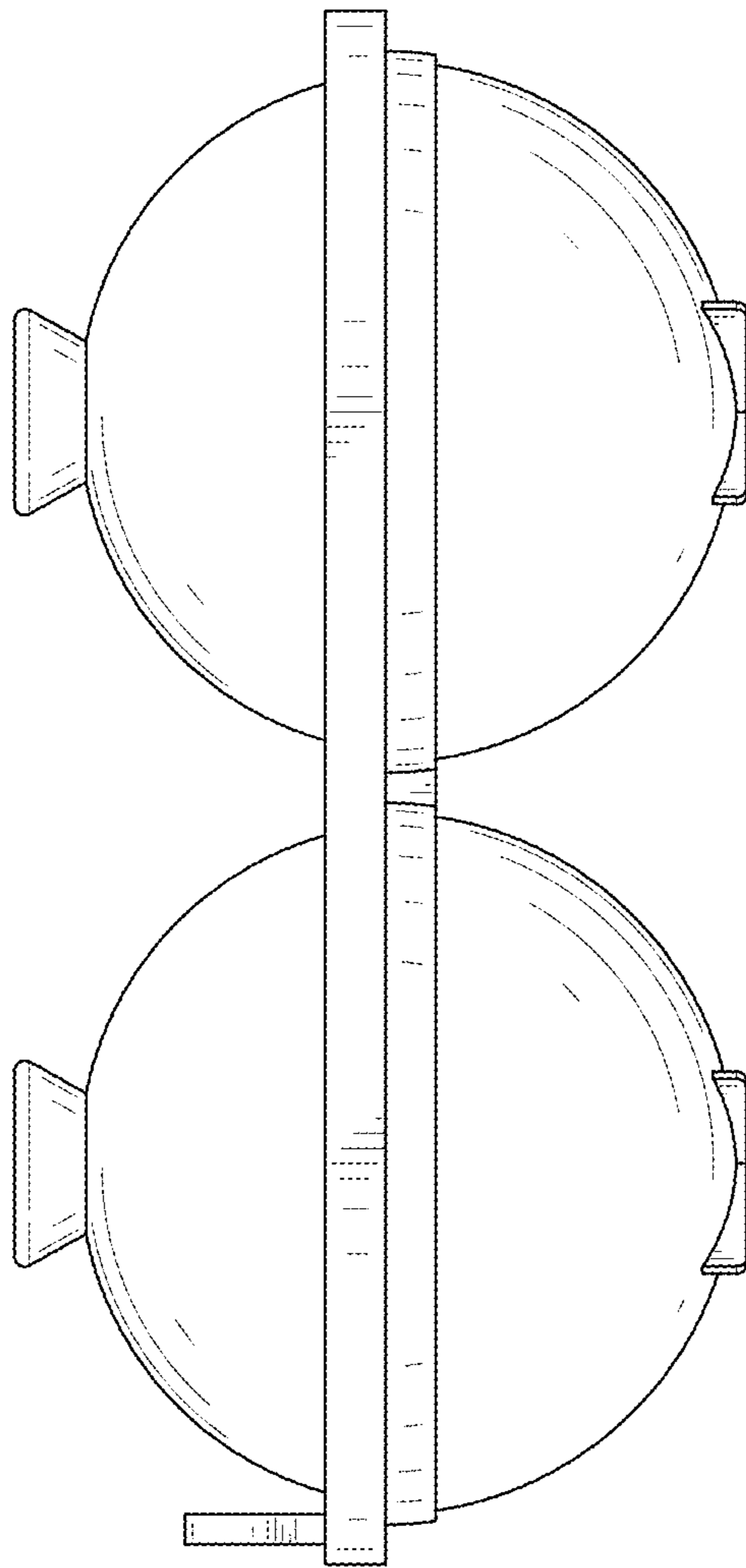


FIG.5

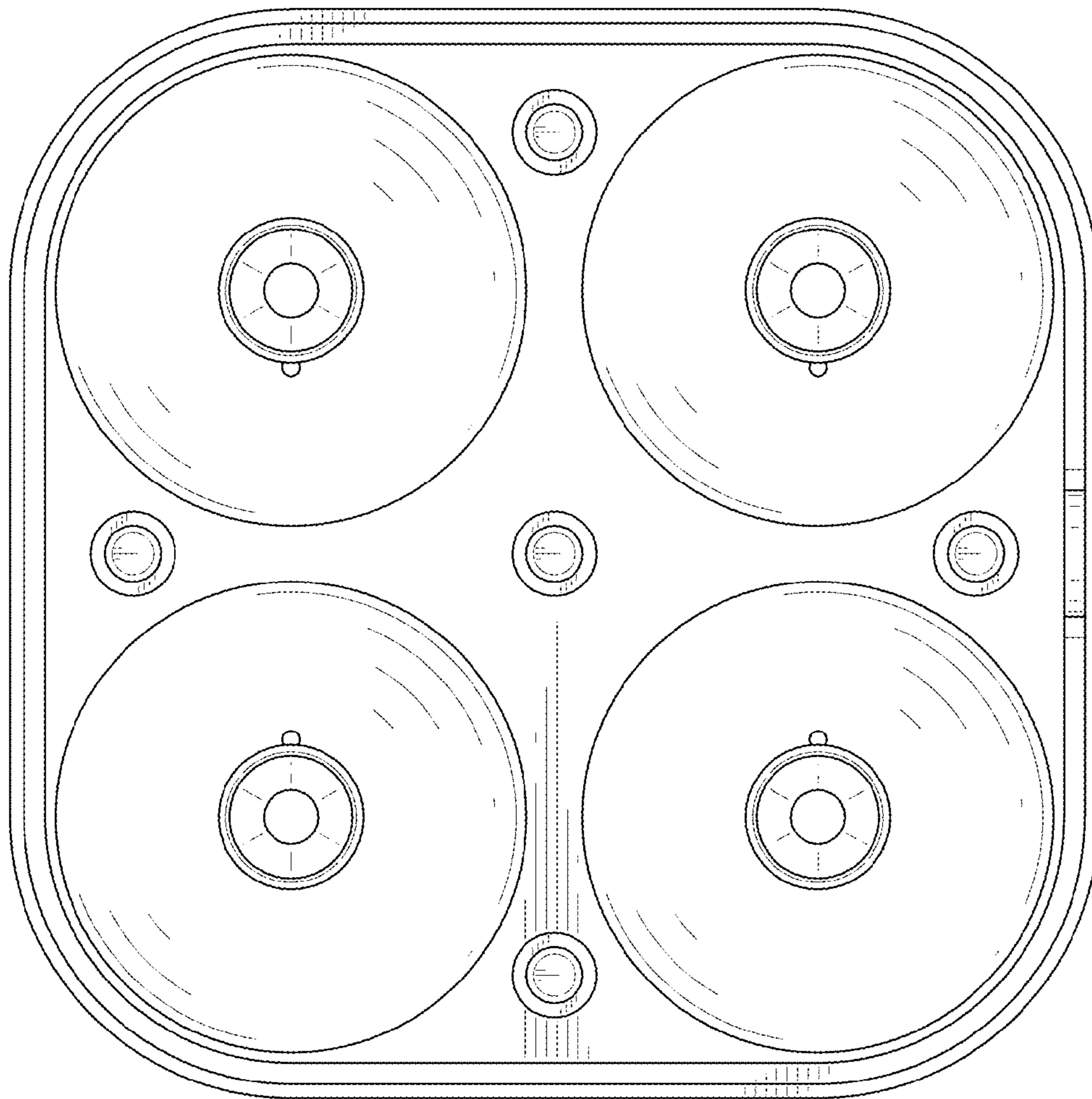


FIG.6

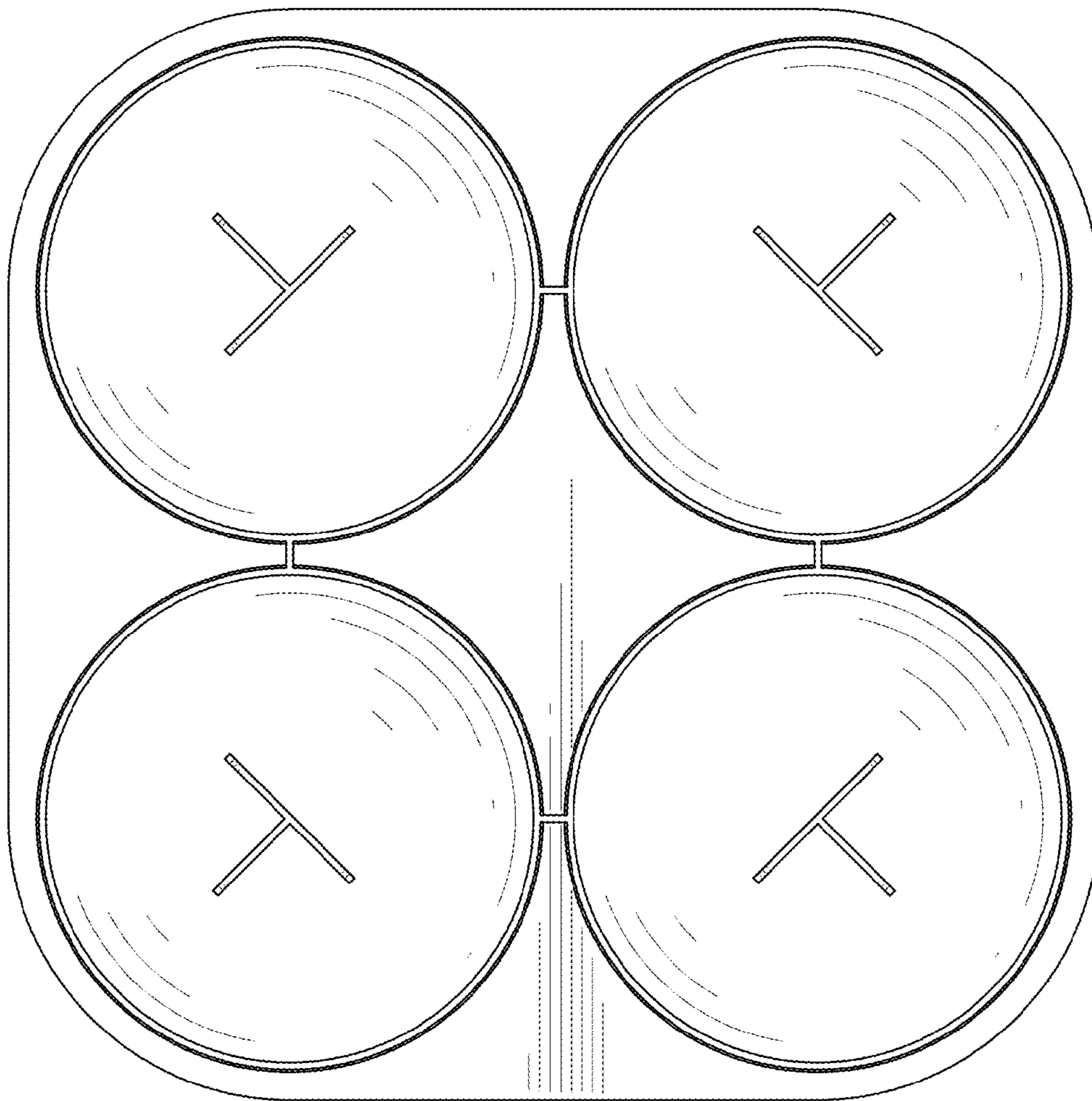


FIG. 7

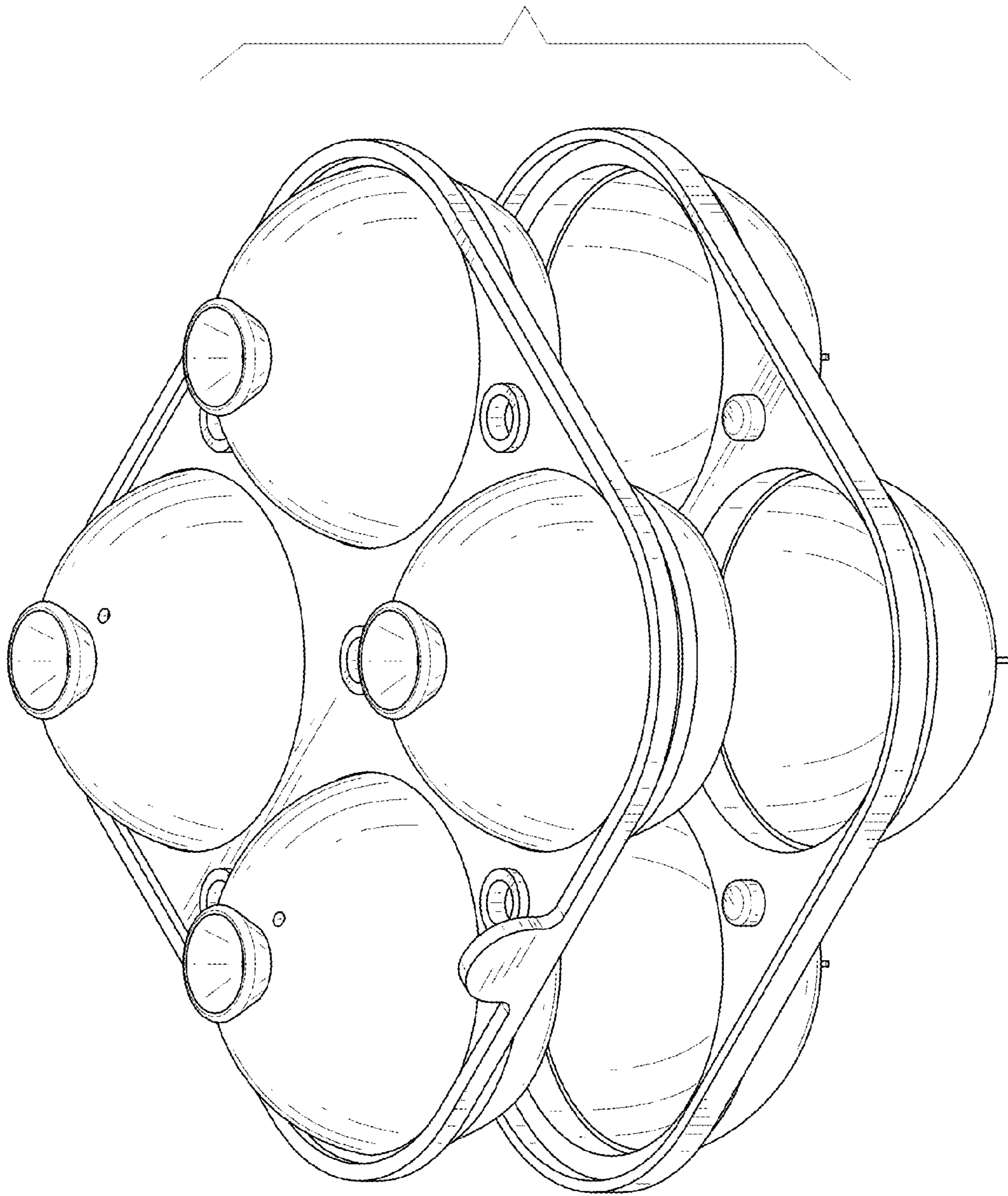


FIG. 8