



US00D899469S

(12) **United States Design Patent**
Tsukamoto et al.

(10) **Patent No.:** **US D899,469 S**

(45) **Date of Patent:** **** Oct. 20, 2020**

(54) **TRAVELLING BODY FOR CONSTRUCTION MACHINE**

CPC . E02F 9/163; E02F 9/0886; E02F 9/18; E02F 3/32; E02F 3/76; E02F 3/40; F01N 13/001; F01N 2590/08

See application file for complete search history.

(71) Applicant: **KOBELCO CONSTRUCTION MACHINERY CO., LTD.**,
Hiroshima-shi, Hiroshima (JP)

(56)

References Cited

U.S. PATENT DOCUMENTS

(72) Inventors: **Hironori Tsukamoto**, Hiroshima (JP);
Shintaro Sakitani, Hiroshima (JP);
Hirokazu Imashige, Hiroshima (JP);
Toshiro Ueta, Hiroshima (JP); **Hiroaki Nishimoto**, Hiroshima (JP); **Kenichi Fujimoto**, Hiroshima (JP)

- D391,272 S 2/1998 Jin et al.
- D576,182 S 9/2008 Murakami et al.
- D593,137 S 5/2009 Ueta et al.
- D629,816 S 12/2010 Nishimura et al.
- D693,857 S 11/2013 Hiraoka et al.
- D735,771 S 8/2015 Imashige et al.
- D737,865 S 9/2015 Imashige et al.
- D738,403 S 9/2015 Imashige et al.
- D750,673 S 3/2016 Imashige et al.
- D772,308 S 11/2016 Gross et al.
- D772,954 S 11/2016 Harms et al.
- D772,956 S 11/2016 Harms et al.

(Continued)

(73) Assignee: **KOBELCO CONSTRUCTION MACHINERY CO., LTD.**,
Hiroshima-Shi (JP)

(**) Term: **15 Years**

Primary Examiner — Mark A Goodwin

(21) Appl. No.: **29/732,691**

(74) *Attorney, Agent, or Firm* — Birch, Stewart, Kolasch & Birch, LLP

(22) Filed: **Apr. 27, 2020**

Related U.S. Application Data

(62) Division of application No. 29/674,990, filed on Dec. 27, 2018.

Foreign Application Priority Data

Jul. 10, 2018 (JP) 2018-015171
Jul. 10, 2018 (JP) 2018-015173

(51) **LOC (12) Cl.** **15-03**

(52) **U.S. Cl.**
USPC **D15/33; D15/28**

(58) **Field of Classification Search**
USPC D15/10, 22-26, 28, 30, 31, 33; 180/89.1, 180/89.12, 89.13, 900, 9.1, 9.2, 9.62; 414/694, 699, 722-724, 660, 685, 698, 414/719, 743; 37/379

(57)

CLAIM

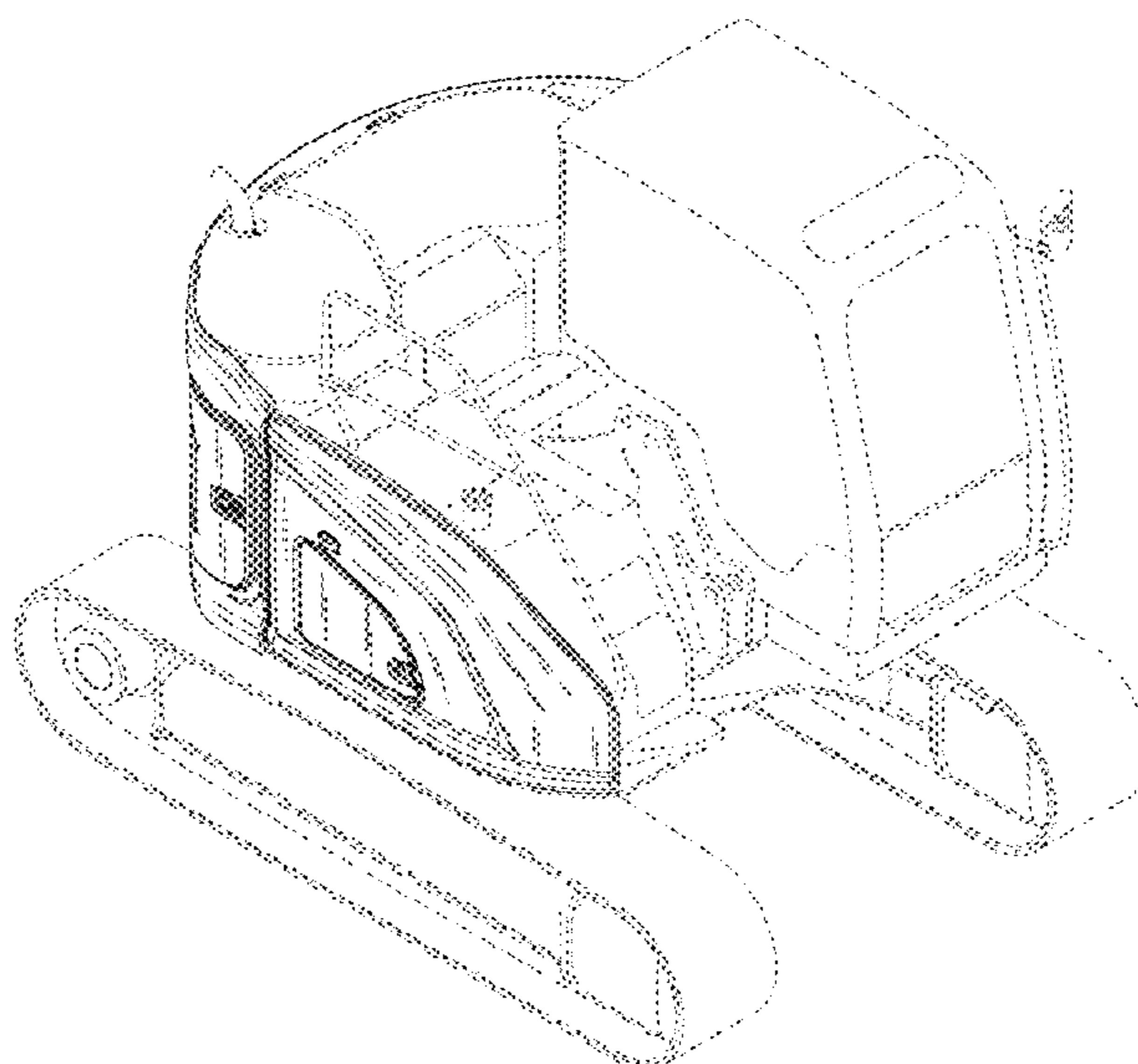
The ornamental design for a travelling body for construction machine, as shown and described.

DESCRIPTION

FIG. 1 is a first perspective view of a travelling body for construction machine showing our new design; FIG. 2 is a second perspective view thereof; FIG. 3 is a front view thereof; FIG. 4 is a rear view thereof; FIG. 5 is a left side view thereof; FIG. 6 is a right side view thereof; FIG. 7 is a top view thereof; and, FIG. 8 is a bottom view thereof.

The broken lines depict portions of the travelling body for construction machine in which the design is embodied that are not considered part of the claimed design.

1 Claim, 8 Drawing Sheets



(56)

References Cited

U.S. PATENT DOCUMENTS

D773,537 S	12/2016	Fiser et al.
D797,159 S	9/2017	Yeu et al.
D797,160 S	9/2017	Yeu et al.

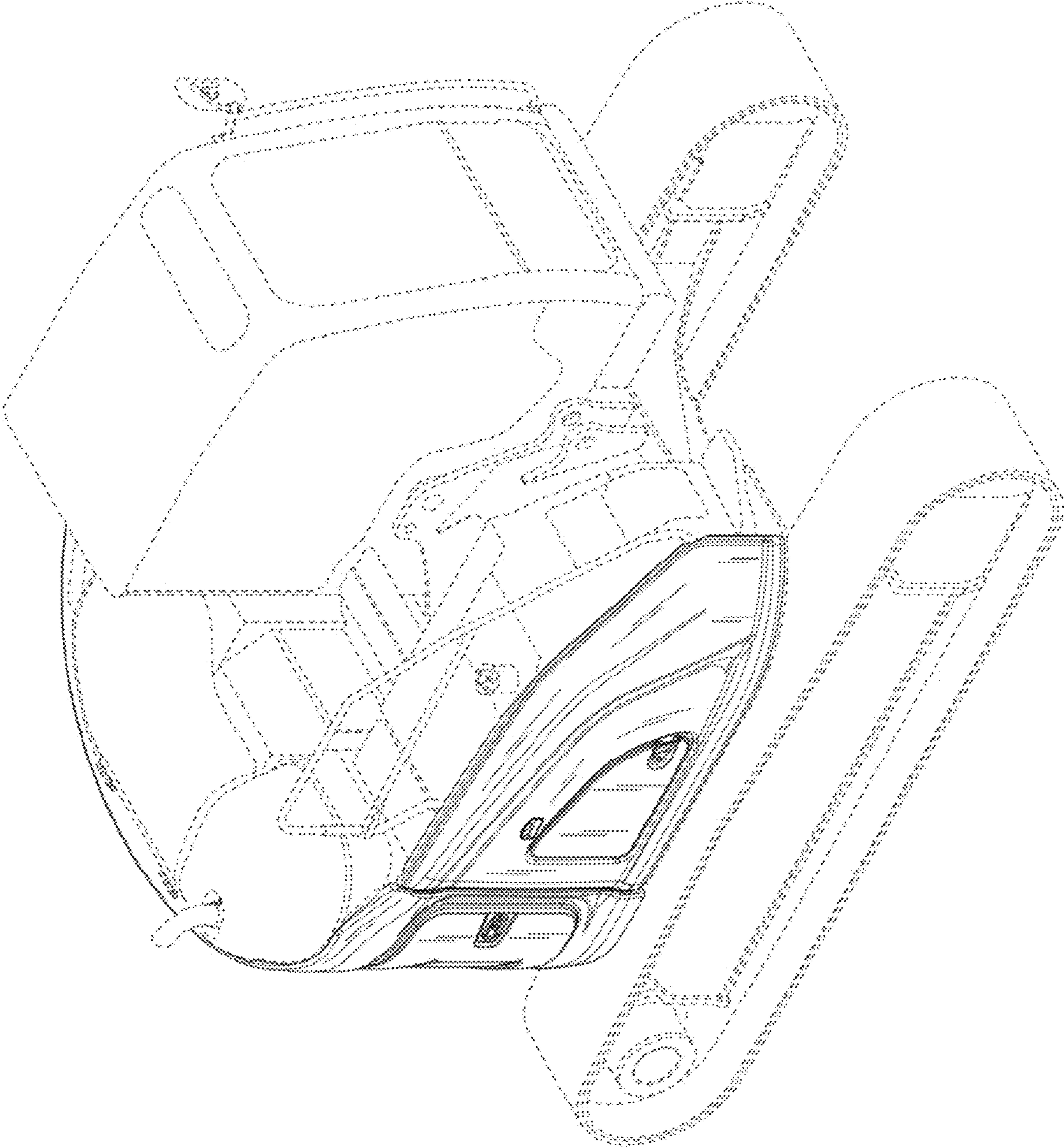
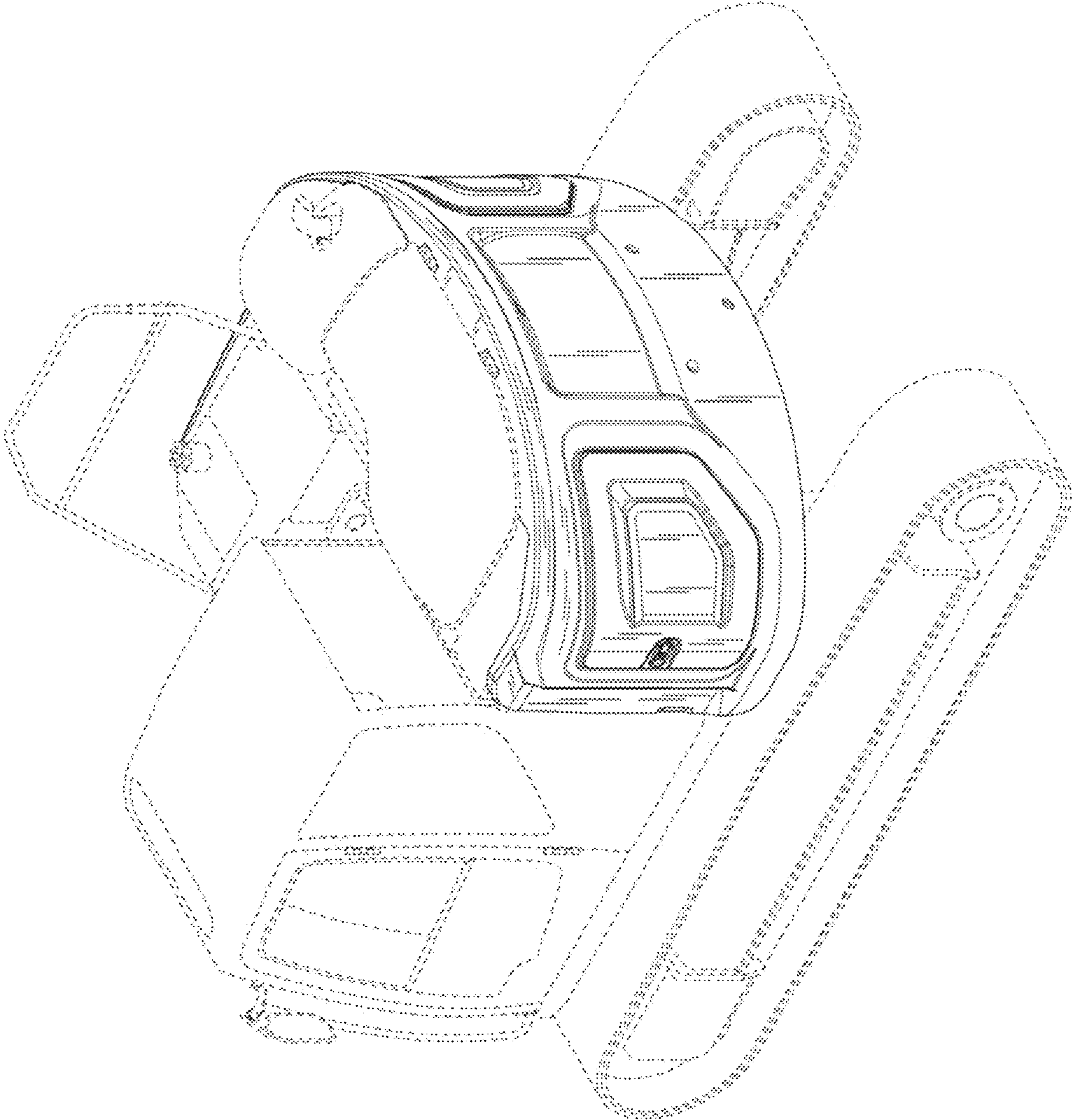


FIG. 1

FIG. 2



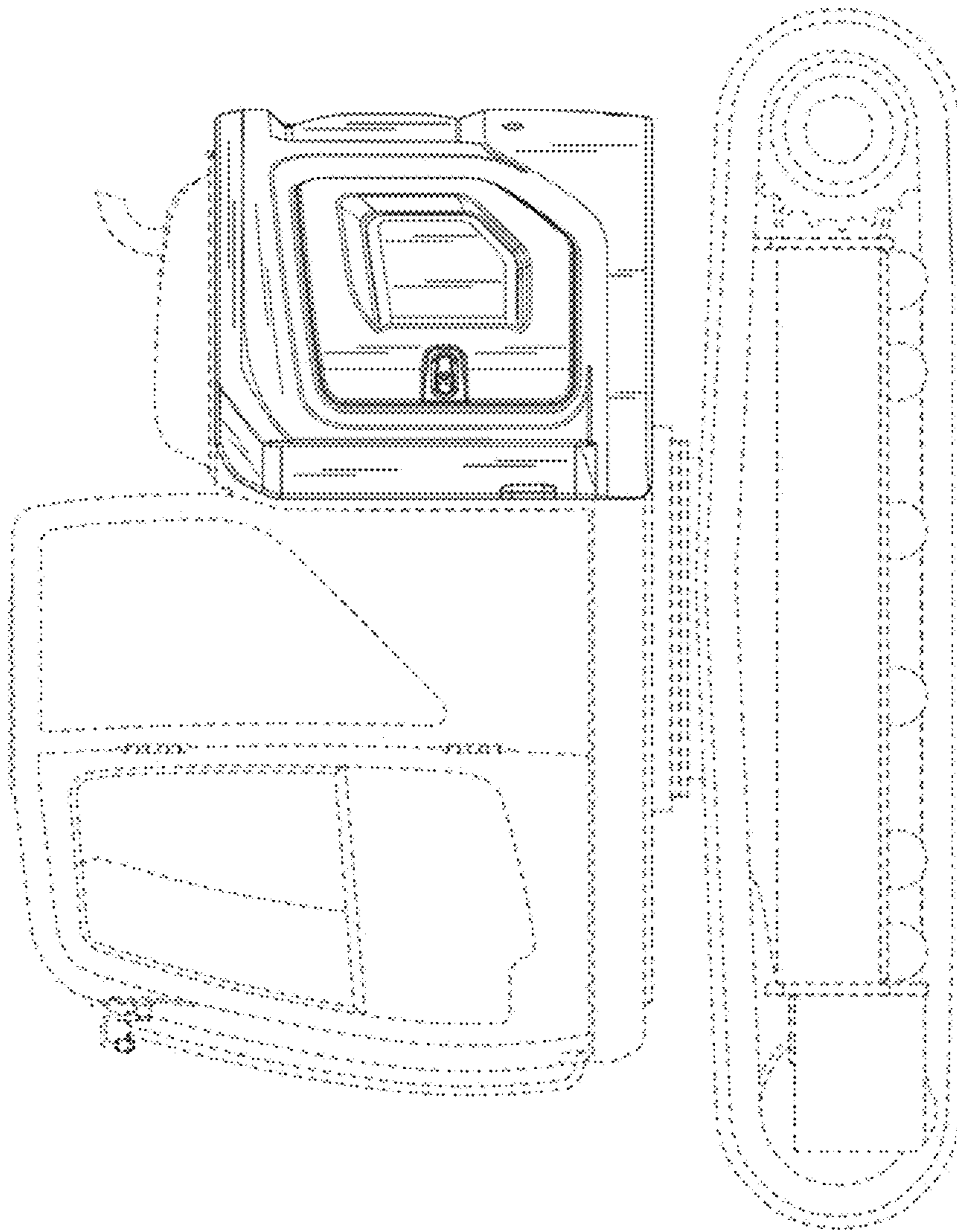


FIG. 3

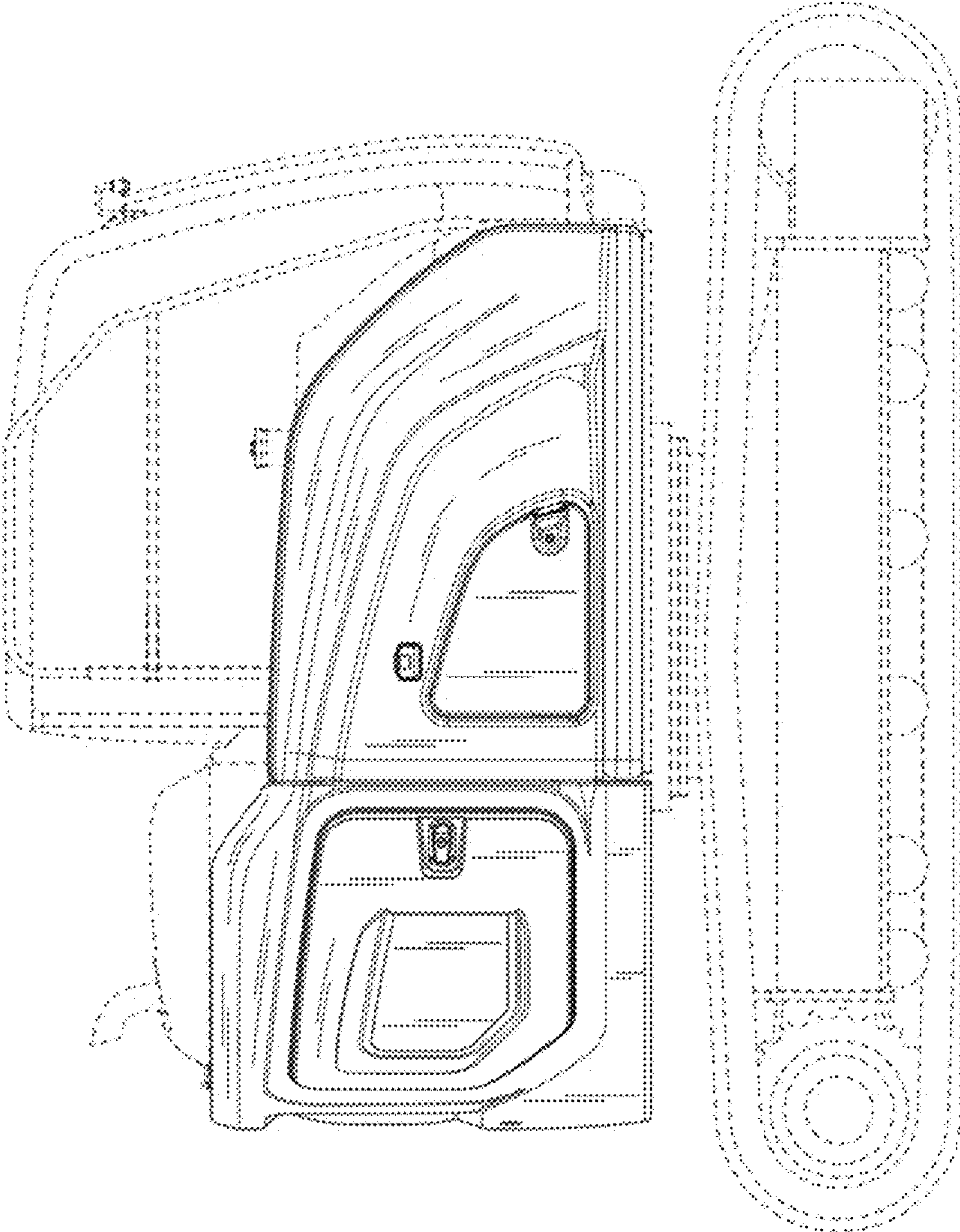


FIG. 4

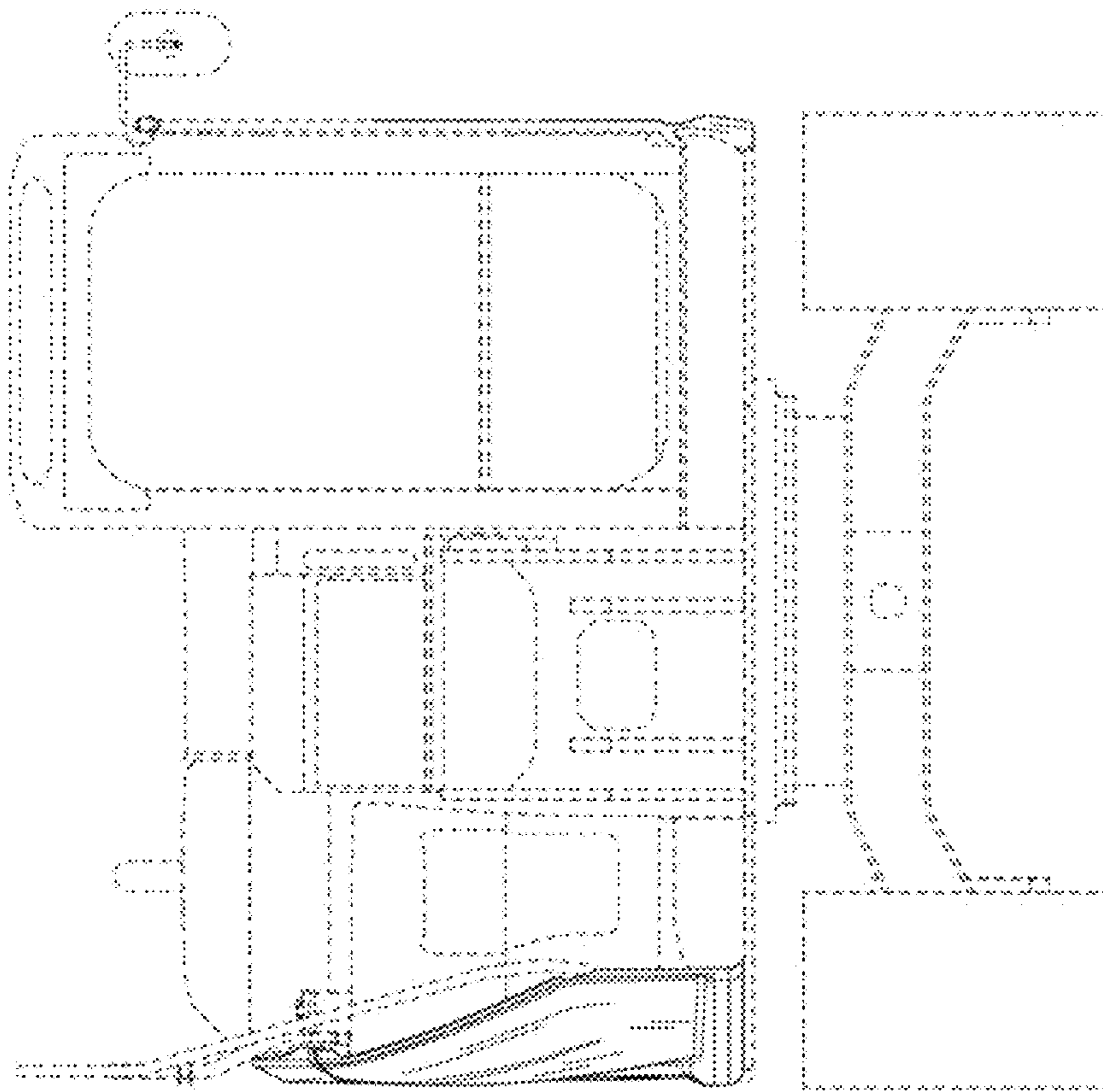


FIG. 5

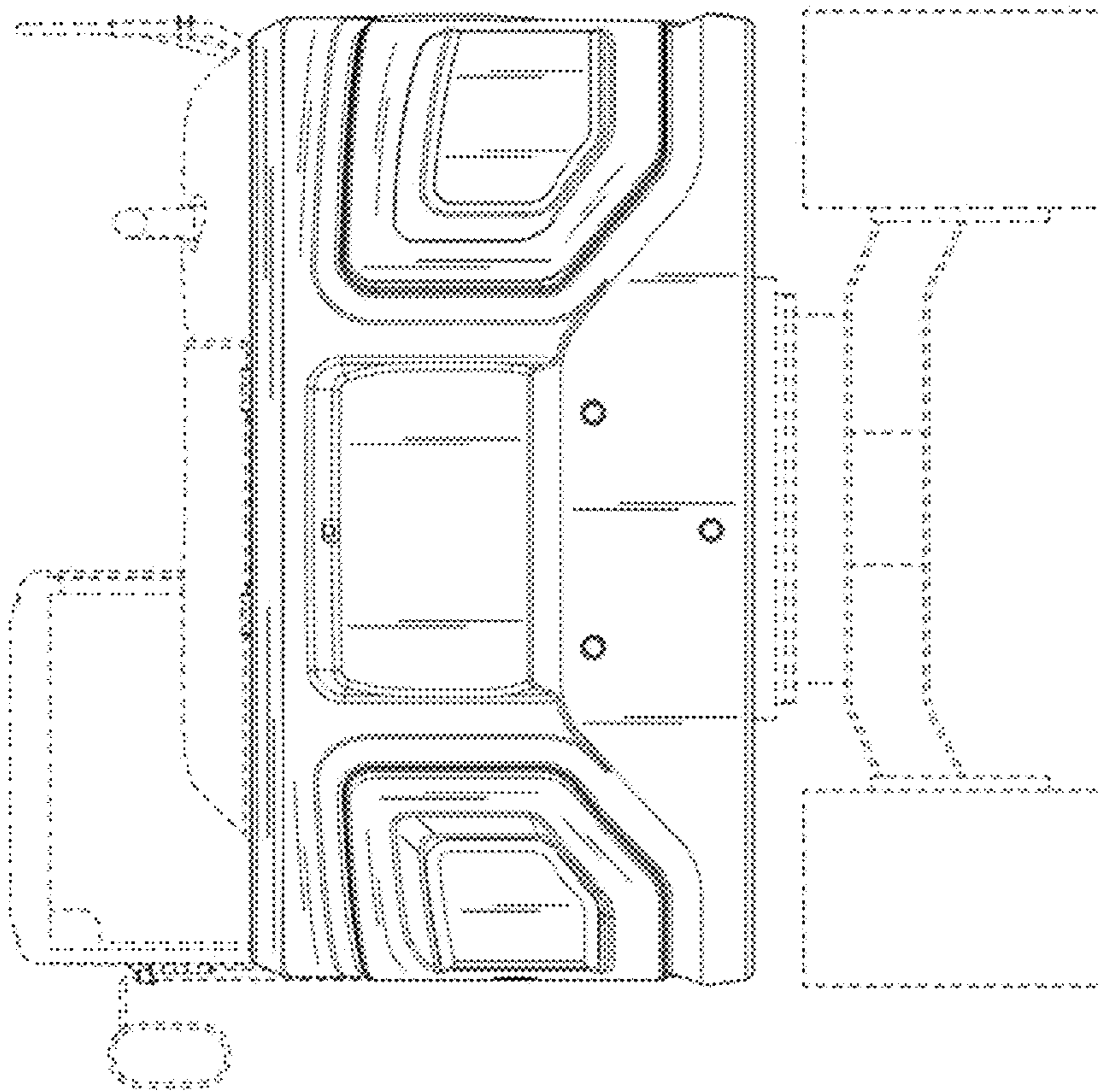


FIG. 6

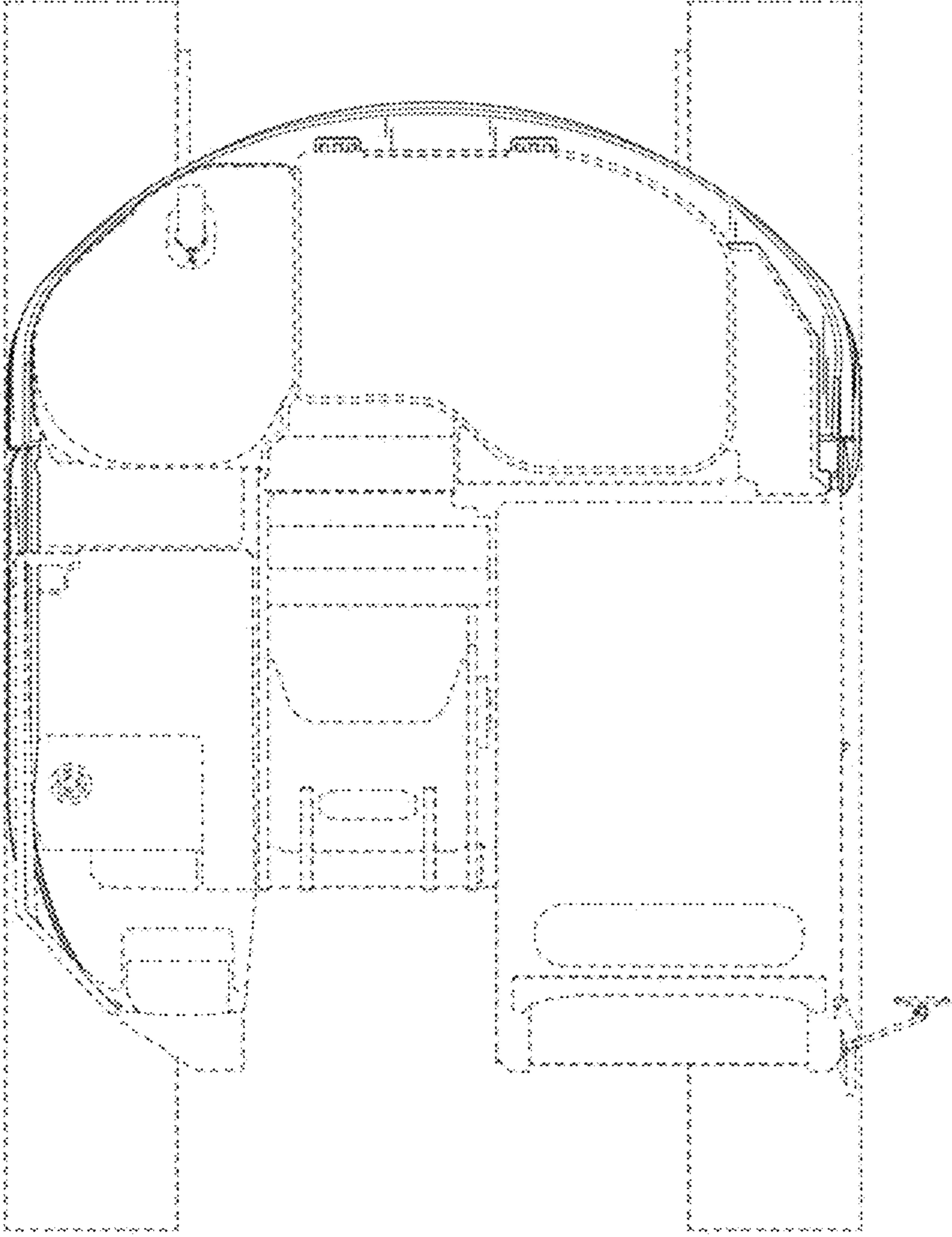


FIG. 7

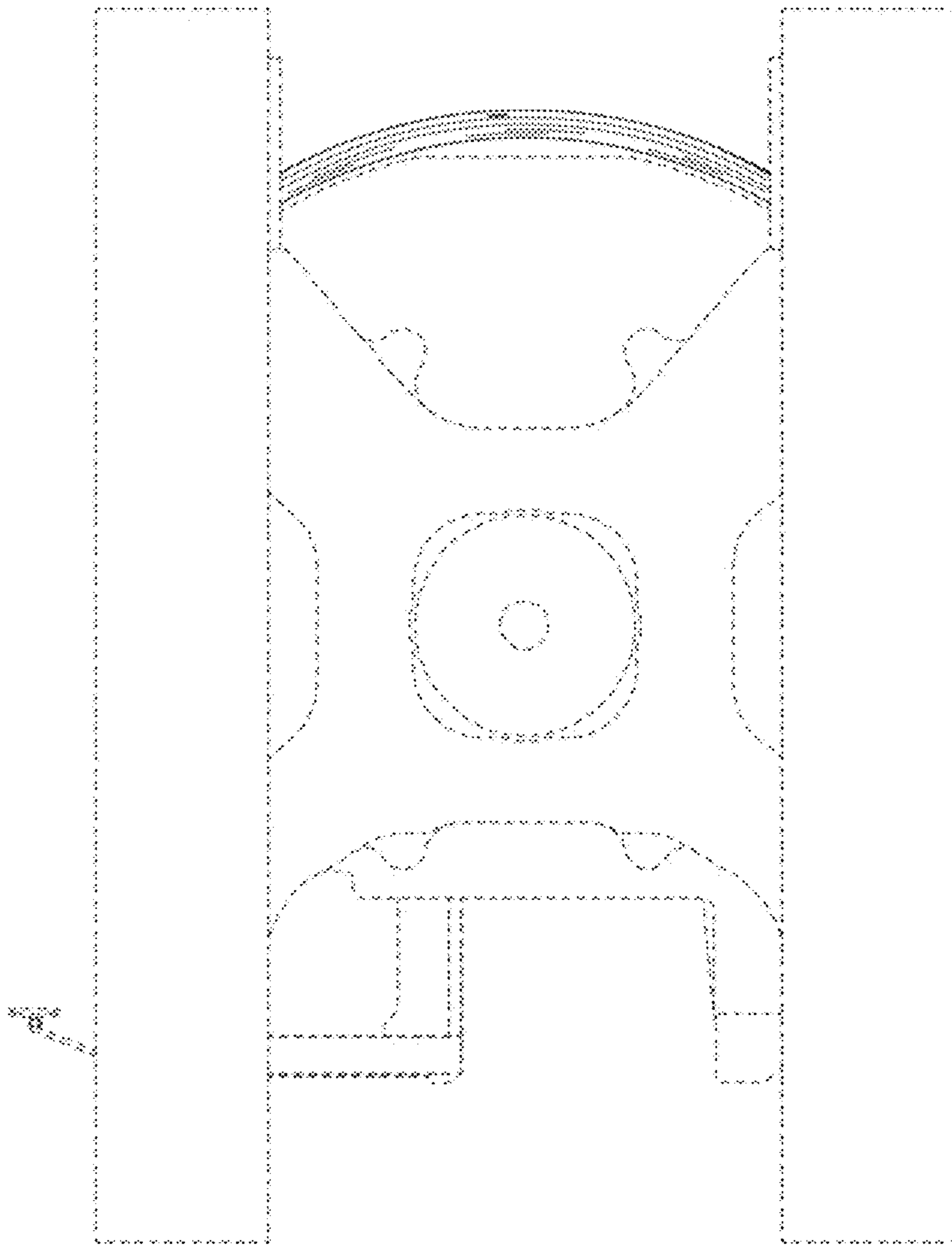


FIG. 8