



US00D899468S

(12) **United States Design Patent** (10) **Patent No.:** **US D899,468 S**  
**Behn et al.** (45) **Date of Patent:** **\*\* Oct. 20, 2020**

(54) **VIBRATORY ROLLER**  
(71) Applicant: **CATERPILLAR PAVING PRODUCTS INC.**, Brooklyn Park, MN (US)  
(72) Inventors: **Mark D. Behn**, St. Michael, MN (US); **Brian Nagel**, Ramsey, MN (US); **Terril Johnson**, Washington, IL (US); **Robert Iverson**, Maple Grove, MN (US); **Andrew R. Torkelson**, New Hope, MN (US)  
(73) Assignee: **Caterpillar Paving Products Inc.**, Brooklyn Park, MN (US)

D668,269 S \* 10/2012 Tezuka ..... D15/20  
D668,694 S \* 10/2012 Tezuka ..... D15/31  
D676,463 S \* 2/2013 Ewringmann ..... D15/20  
D694,278 S \* 11/2013 Ewringmann ..... D15/20  
D694,279 S \* 11/2013 Ewringmann ..... D15/20  
D699,764 S \* 2/2014 Loew ..... D15/20  
D720,779 S \* 1/2015 Loew ..... D15/20  
D744,543 S \* 12/2015 Loew ..... D15/20  
D745,063 S \* 12/2015 Loew ..... D15/20  
D765,735 S \* 9/2016 Roemer ..... D15/20  
D796,557 S \* 9/2017 Loew ..... D15/20  
D800,792 S \* 10/2017 Loew ..... D15/20  
D800,793 S \* 10/2017 Loew ..... D15/20  
D819,704 S \* 6/2018 Loew ..... D15/20  
D853,450 S \* 7/2019 Loew ..... D15/20  
2004/0028472 A1 \* 2/2004 Richter ..... E01C 19/286  
404/117  
2012/0114416 A1 \* 5/2012 Marsolek ..... E01C 19/286  
404/75

(\*\*) Term: **15 Years**

(Continued)

(21) Appl. No.: **29/691,256**

Primary Examiner — Mark A Goodwin

(22) Filed: **May 15, 2019**

(57) **CLAIM**

(51) **LOC (12) Cl.** ..... **15-03**

The ornamental design for a vibratory roller, as shown and described.

(52) **U.S. Cl.**  
USPC ..... **D15/20**

(58) **Field of Classification Search**  
USPC ..... D15/10, 20, 22–26, 28, 30, 33; 180/20, 180/89.12; 280/104, 124.11; 404/122, 404/132, 125, 90  
CPC ..... E02D 3/026; E02D 3/00; E02D 3/074; B30B 15/00; E01C 19/27; E01C 19/41; E01C 19/22; E01C 19/38; E01C 19/286; E01C 19/4853; E01C 19/238  
See application file for complete search history.

**DESCRIPTION**

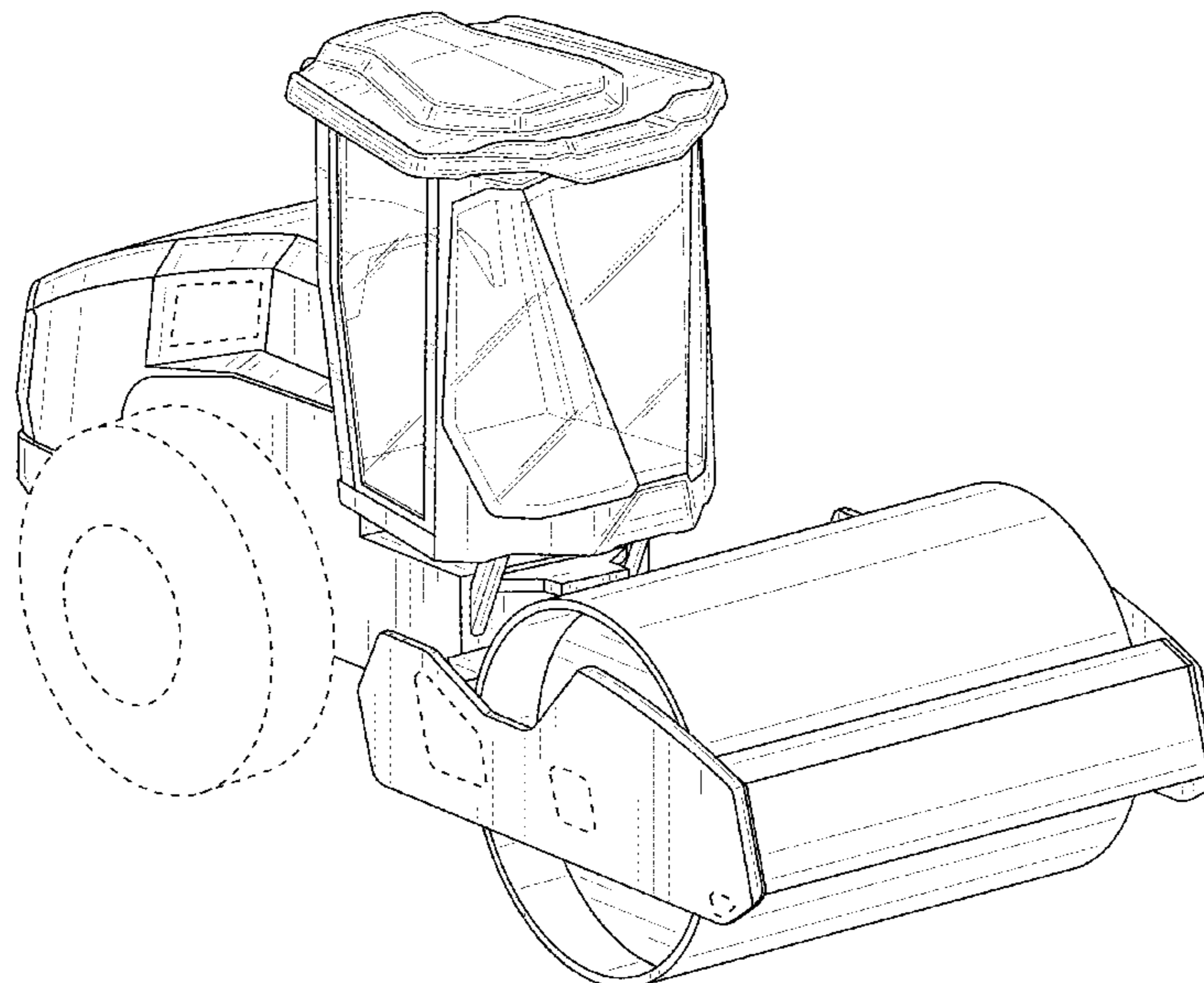
FIG. 1 is a front, top, left perspective view of a vibratory roller showing the new design;  
FIG. 2 is a rear, top, right perspective view thereof;  
FIG. 3 is a rear, bottom, left perspective view thereof;  
FIG. 4 is a front elevation view thereof;  
FIG. 5 is a rear elevation view thereof;  
FIG. 6 is a left side view thereof;  
FIG. 7 is a right side view thereof;  
FIG. 8 is a top plan view thereof; and,  
FIG. 9 is a bottom plan view thereof.  
The broken lines of even length shown in the drawings illustrate portions of the vibratory roller that form no part of the claimed design.

(56) **References Cited**

U.S. PATENT DOCUMENTS

D396,431 S \* 7/1998 Lindgren ..... D12/14  
D516,094 S \* 2/2006 Dotsch ..... D15/20  
D611,505 S \* 3/2010 Loew ..... D15/20  
D611,506 S \* 3/2010 Loew ..... D15/20

**1 Claim, 9 Drawing Sheets**



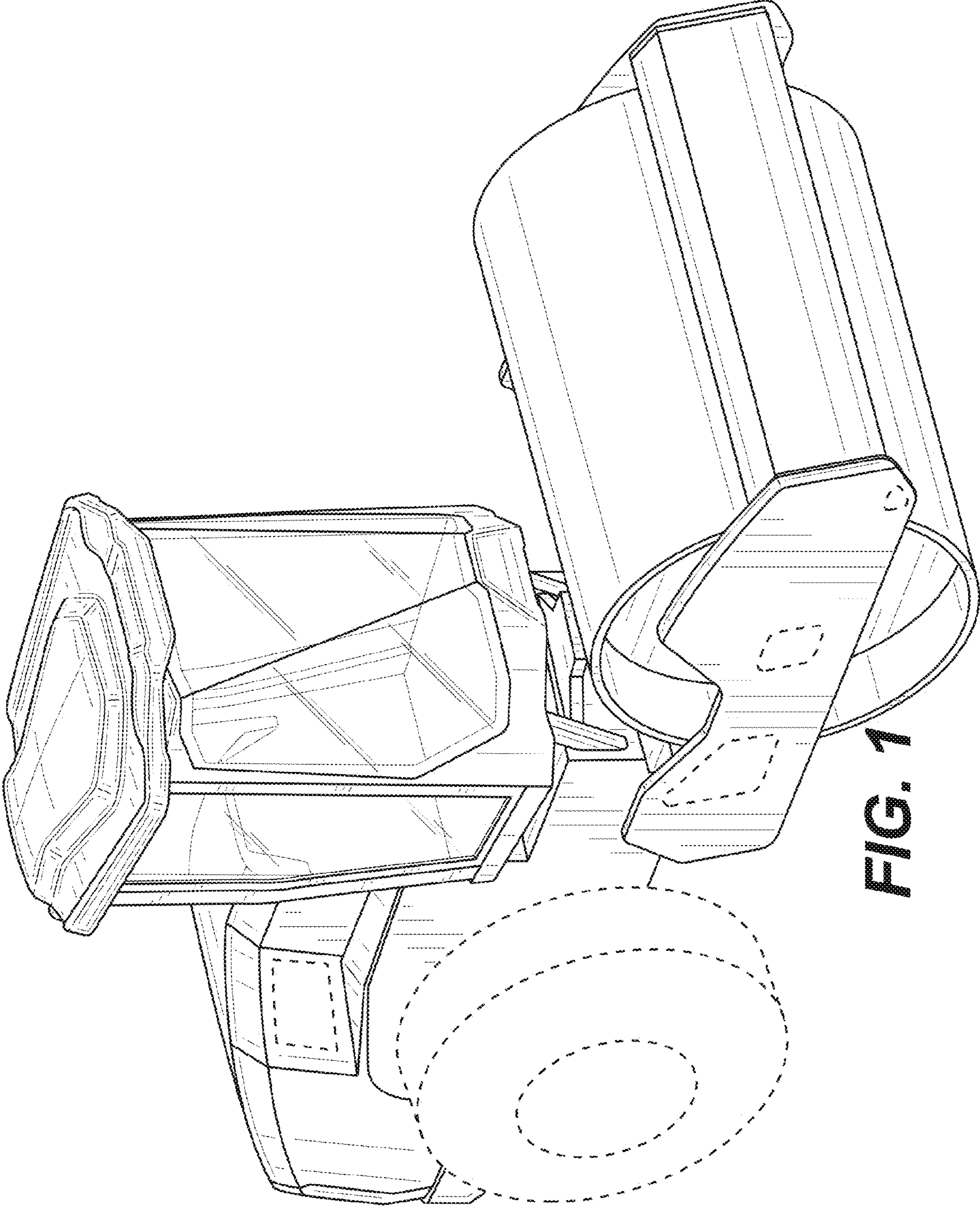
(56)

**References Cited**

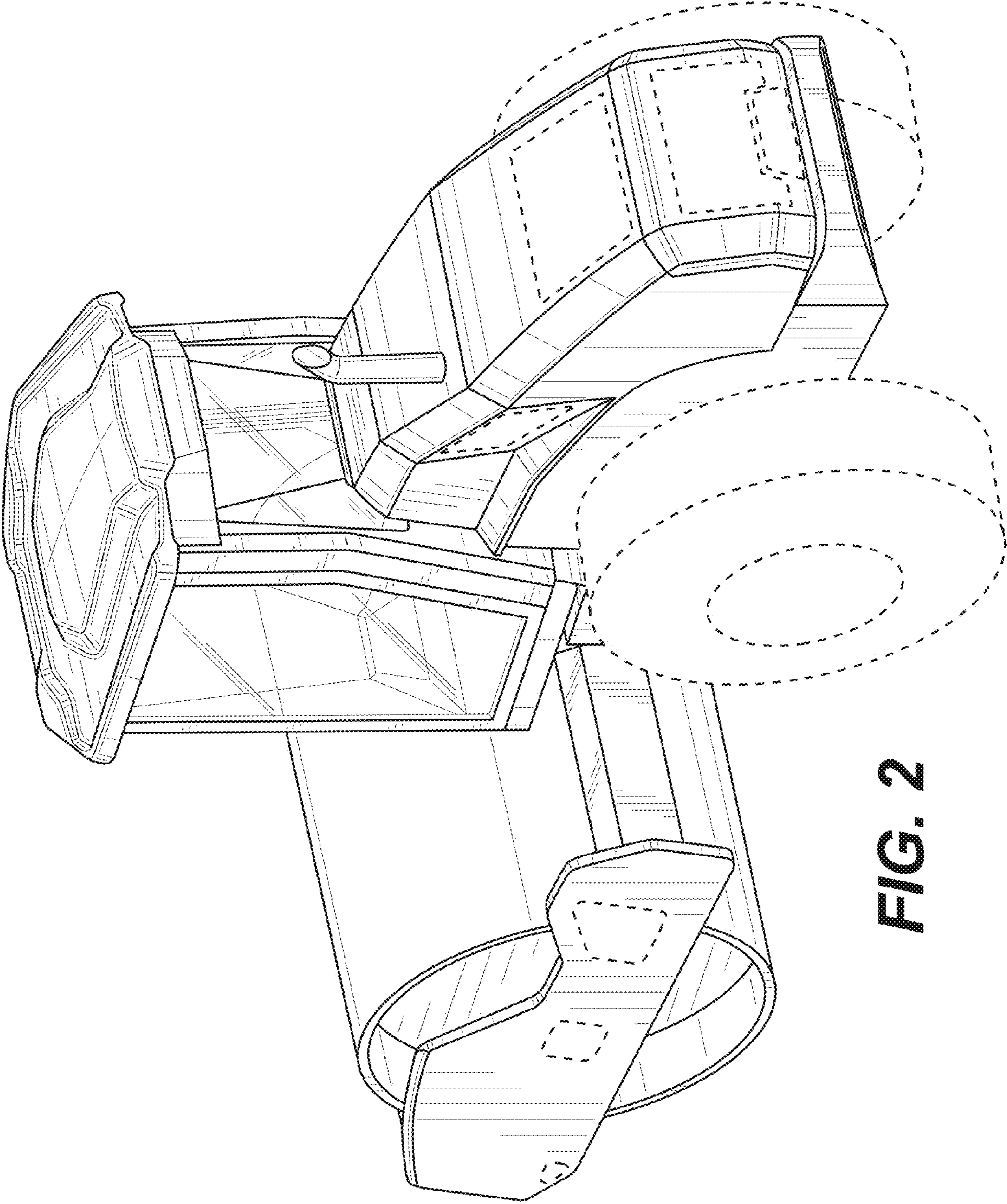
U.S. PATENT DOCUMENTS

2012/0301221 A1\* 11/2012 Ackermann ..... E01C 19/282  
404/75  
2014/0161529 A1\* 6/2014 Darscheid ..... E01C 19/38  
404/84.05  
2015/0204031 A1\* 7/2015 Kreutz ..... E01C 19/12  
404/103

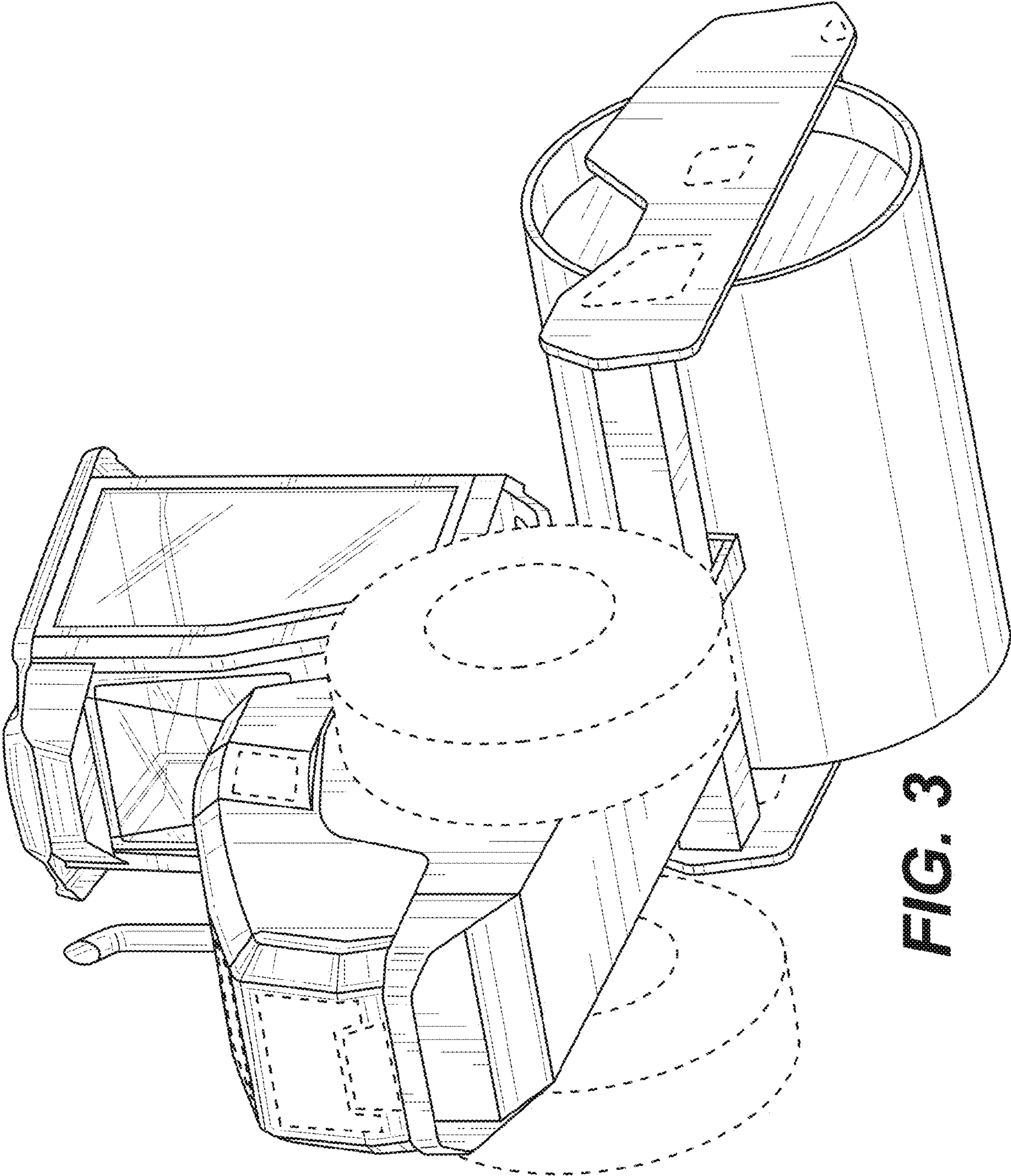
\* cited by examiner



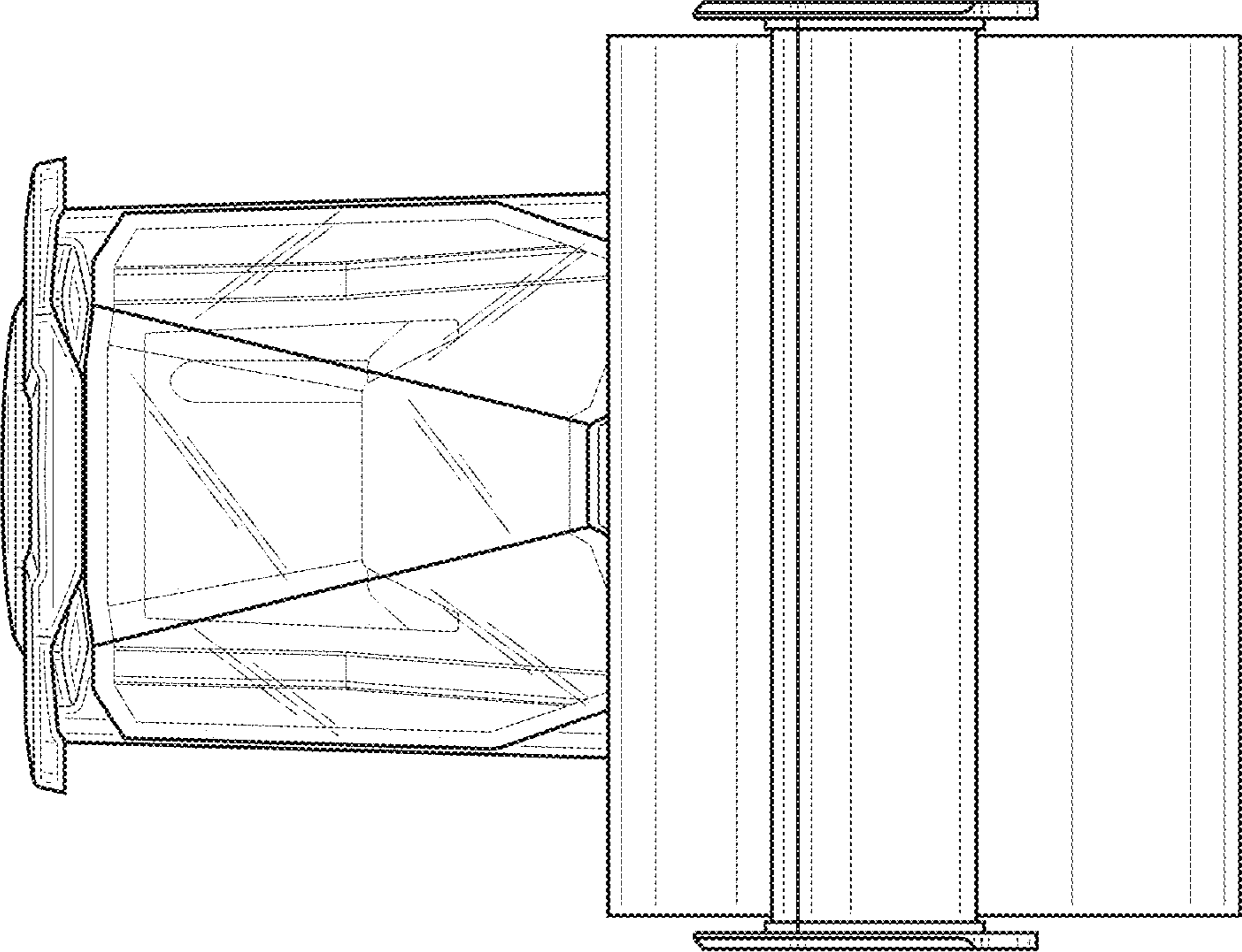
**FIG. 1**



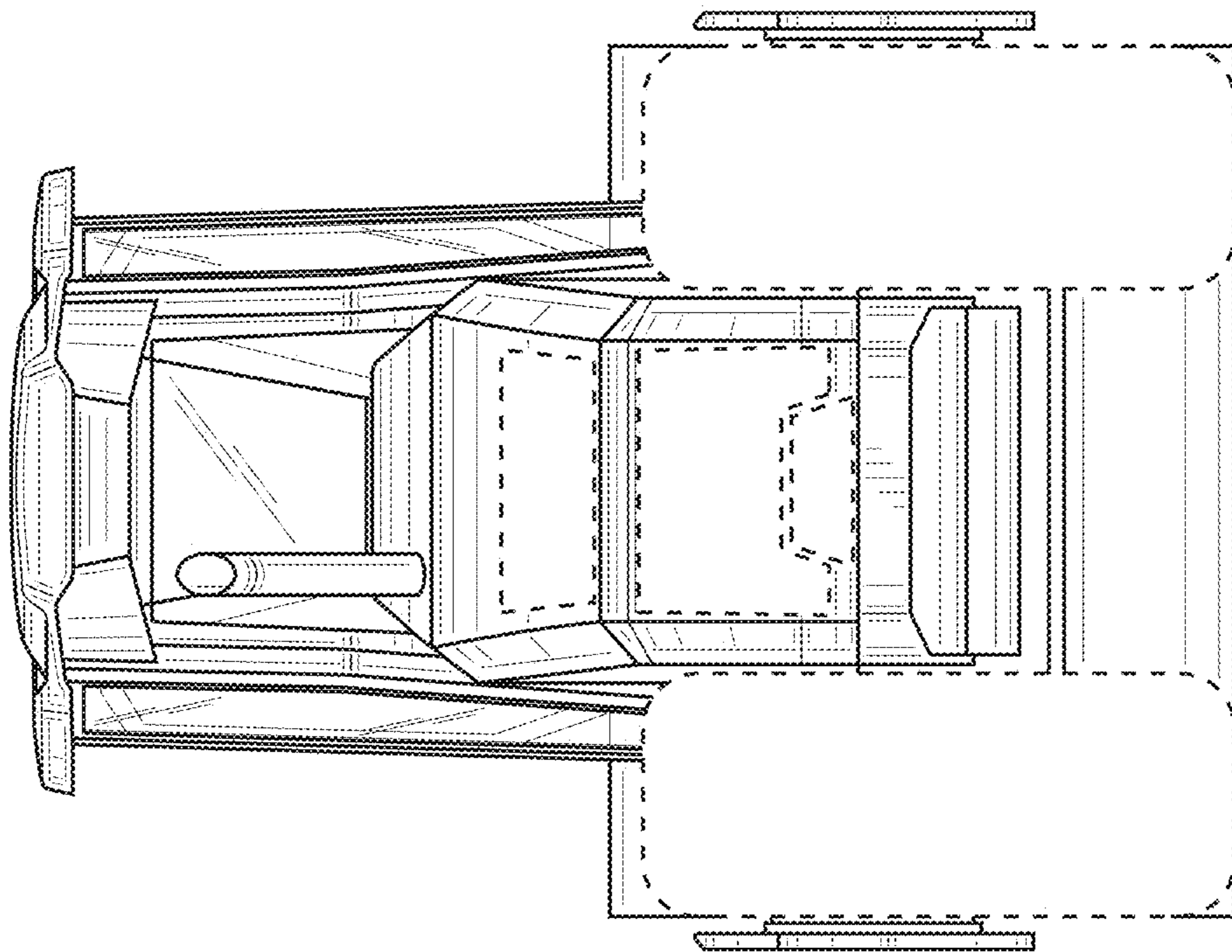
**FIG. 2**



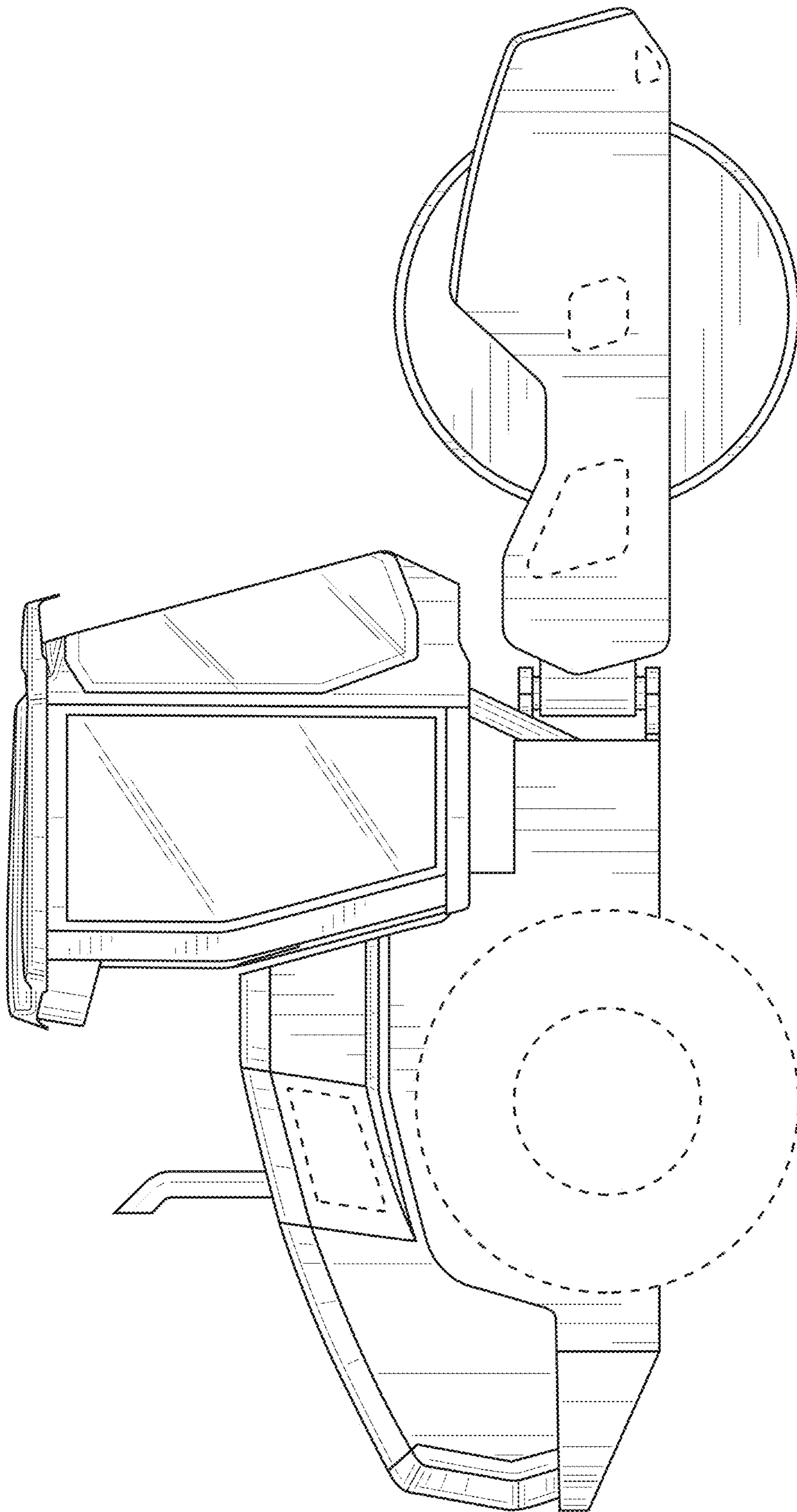
**FIG. 3**



**FIG. 4**

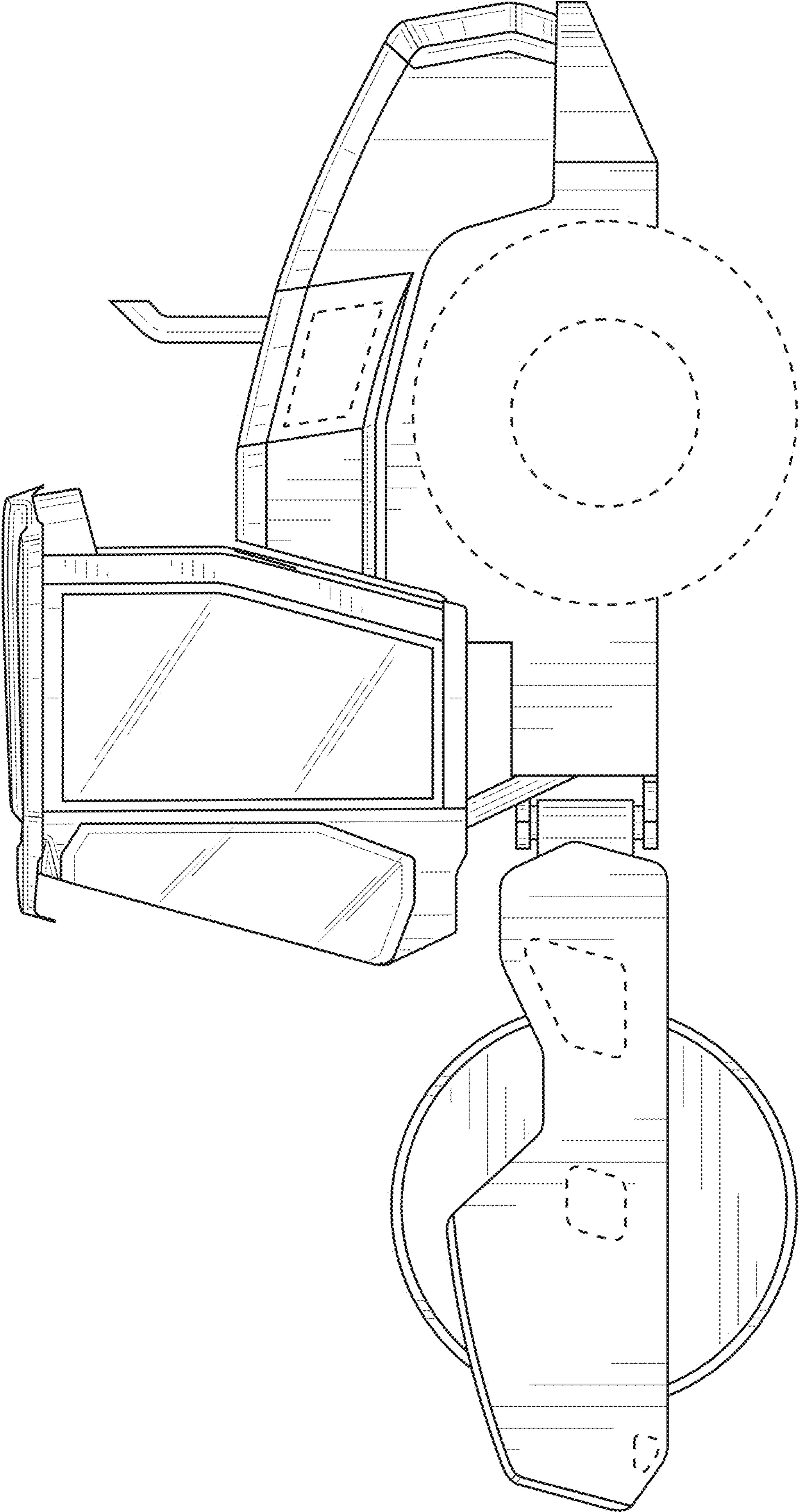


**FIG. 5**

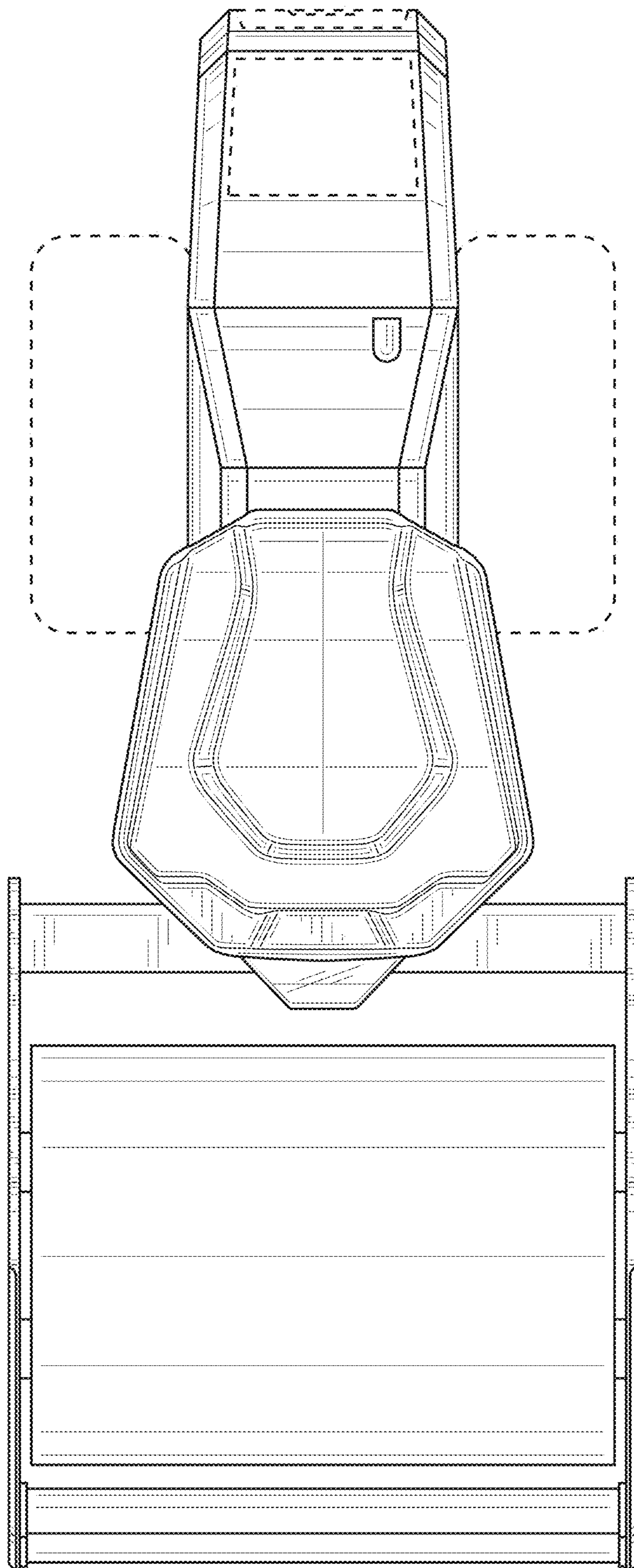


**FIG. 6**

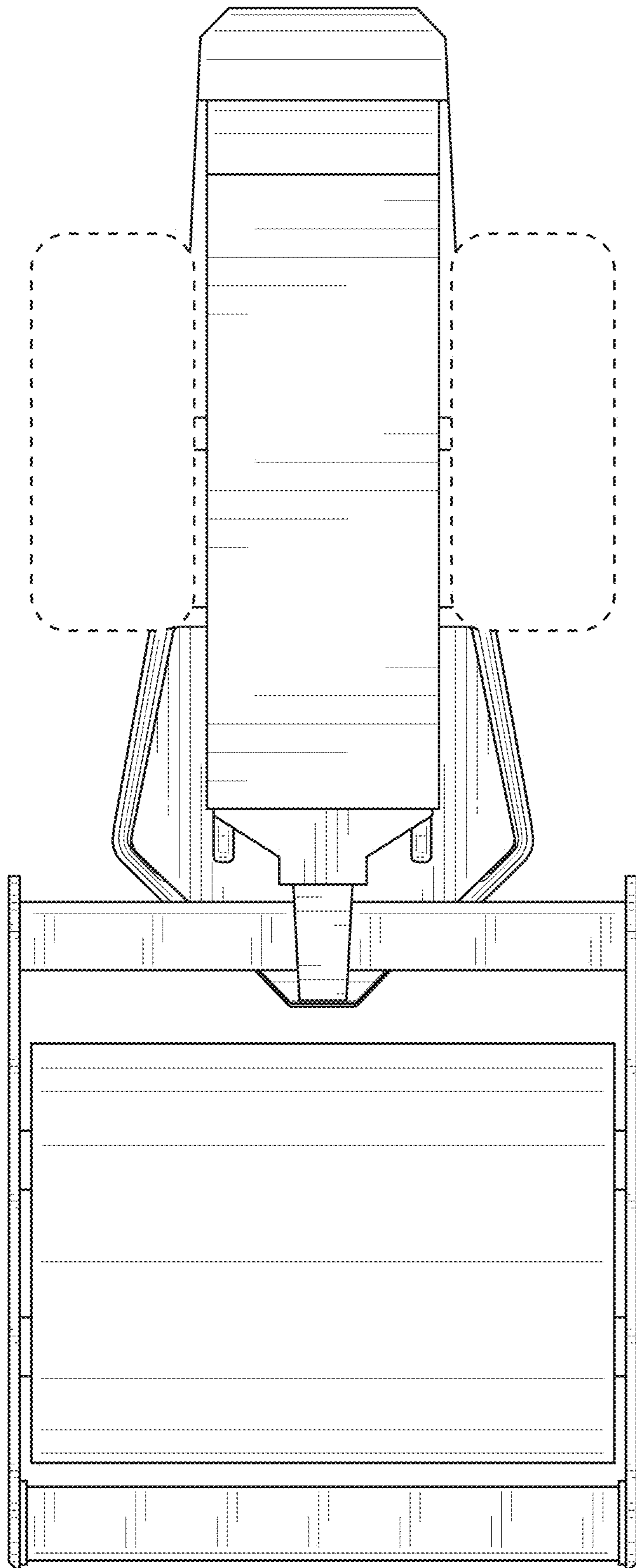




**FIG. 7**



**FIG. 8**



**FIG. 9**