



US00D899467S

(12) **United States Design Patent**
Jin

(10) **Patent No.:** **US D899,467 S**

(45) **Date of Patent:** **** Oct. 20, 2020**

(54) **WOOD CHIPPER**

(71) Applicant: **Yongkang Doright Industry & Trade Co., Ltd.**, Yongkang, Zhejiang Province (CN)

(72) Inventor: **Xuancong Jin**, Yongkang (CN)

(73) Assignee: **Yongkang Doright Industry & Trade Co., Ltd.**, Yongkang (CN)

(**) Term: **15 Years**

(21) Appl. No.: **29/701,609**

(22) Filed: **Aug. 13, 2019**

(30) **Foreign Application Priority Data**

Aug. 8, 2019 (CN) 2019 3 0428942

(51) **LOC (12) Cl.** **15-02**

(52) **U.S. Cl.**
USPC **D15/10**

(58) **Field of Classification Search**

USPC D15/10-13; 241/37.5, 101.7,
241/186.1-186.5, 282.2

CPC B02C 18/143; B02C 18/14; B02C 18/06
See application file for complete search history.

(56) **References Cited**

U.S. PATENT DOCUMENTS

3,726,488 A * 4/1973 Aasland B02C 18/06
241/101.78
5,199,653 A * 4/1993 Durrant B02C 18/2291
241/101.78

D345,983 S * 4/1994 Bold D15/10
5,305,959 A * 4/1994 Chesser A01G 3/002
241/100
5,358,189 A * 10/1994 Vandermolen B02C 13/04
241/101.762
5,540,038 A * 7/1996 Bold B02C 18/06
56/13.1
6,257,511 B1 * 7/2001 Turner B02C 18/143
241/296
9,144,804 B2 * 9/2015 Kessler B02C 18/14
D784,418 S * 4/2017 Jin D15/10
10,631,466 B2 * 4/2020 Kanchibhotla B02C 18/18

* cited by examiner

Primary Examiner — Mark A Goodwin

Assistant Examiner — Benjamin M Weeks

(74) *Attorney, Agent, or Firm* — Bay State IP, LLC

(57) **CLAIM**

The ornamental design for a wood chipper, as shown and described.

DESCRIPTION

FIG. 1 is a front perspective view of the wood chipper showing my new design;
FIG. 2 is a front view thereof;
FIG. 3 is a back view thereof;
FIG. 4 is a top view thereof;
FIG. 5 is a bottom view thereof;
FIG. 6 is a left side view thereof; and,
FIG. 7 is a right side view thereof.

1 Claim, 7 Drawing Sheets

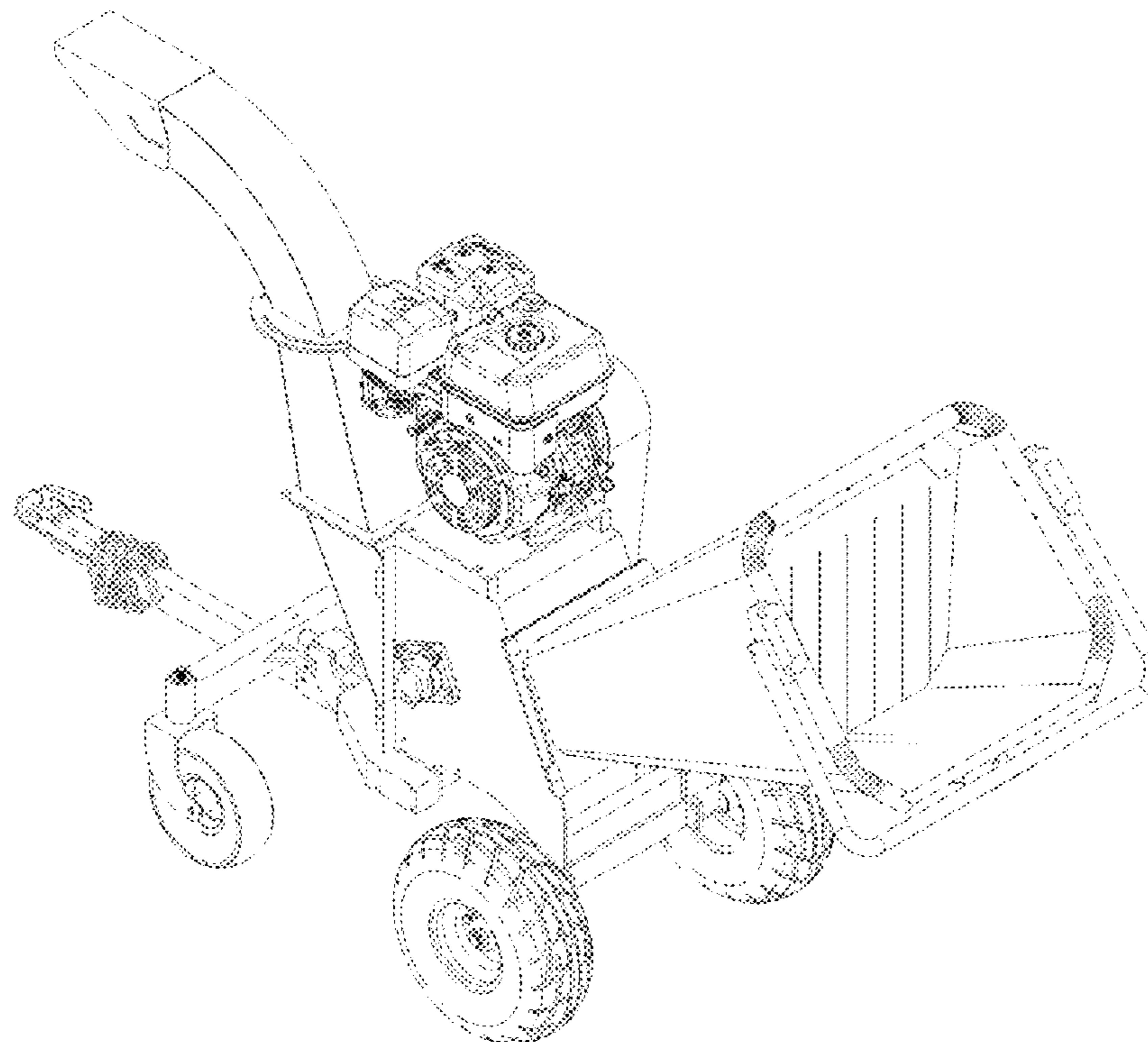


FIG. 1

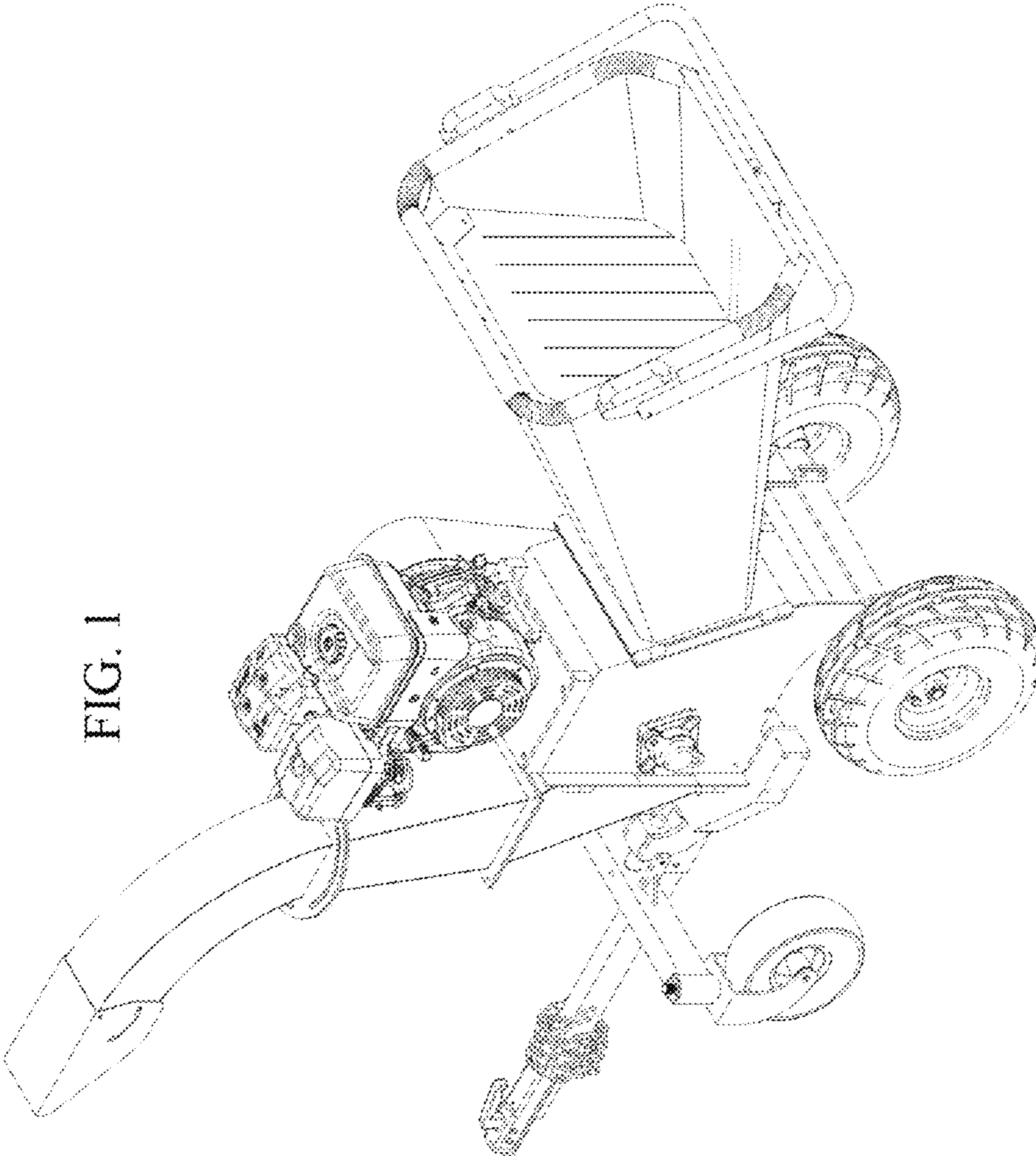


FIG. 2

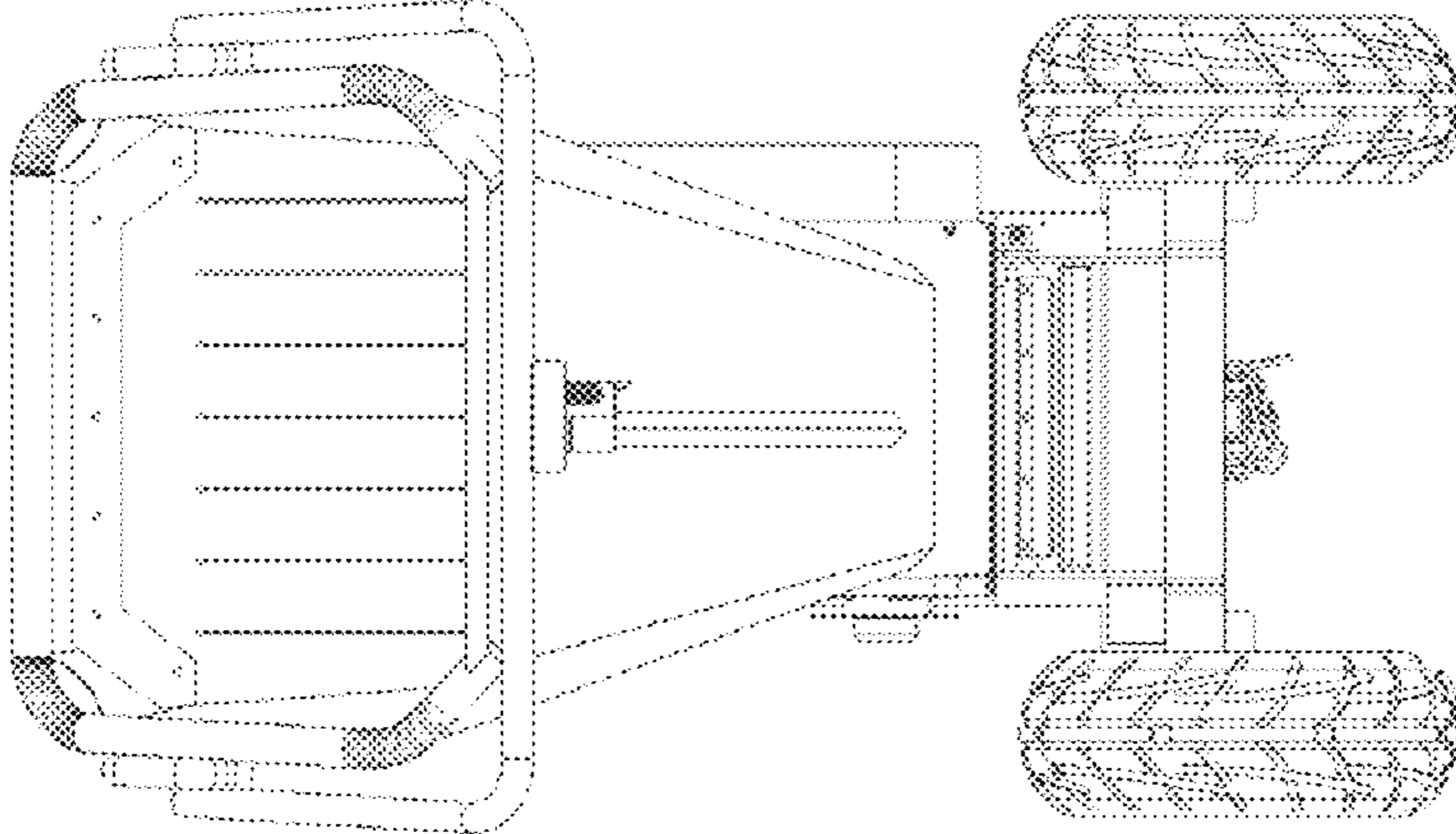


FIG. 3

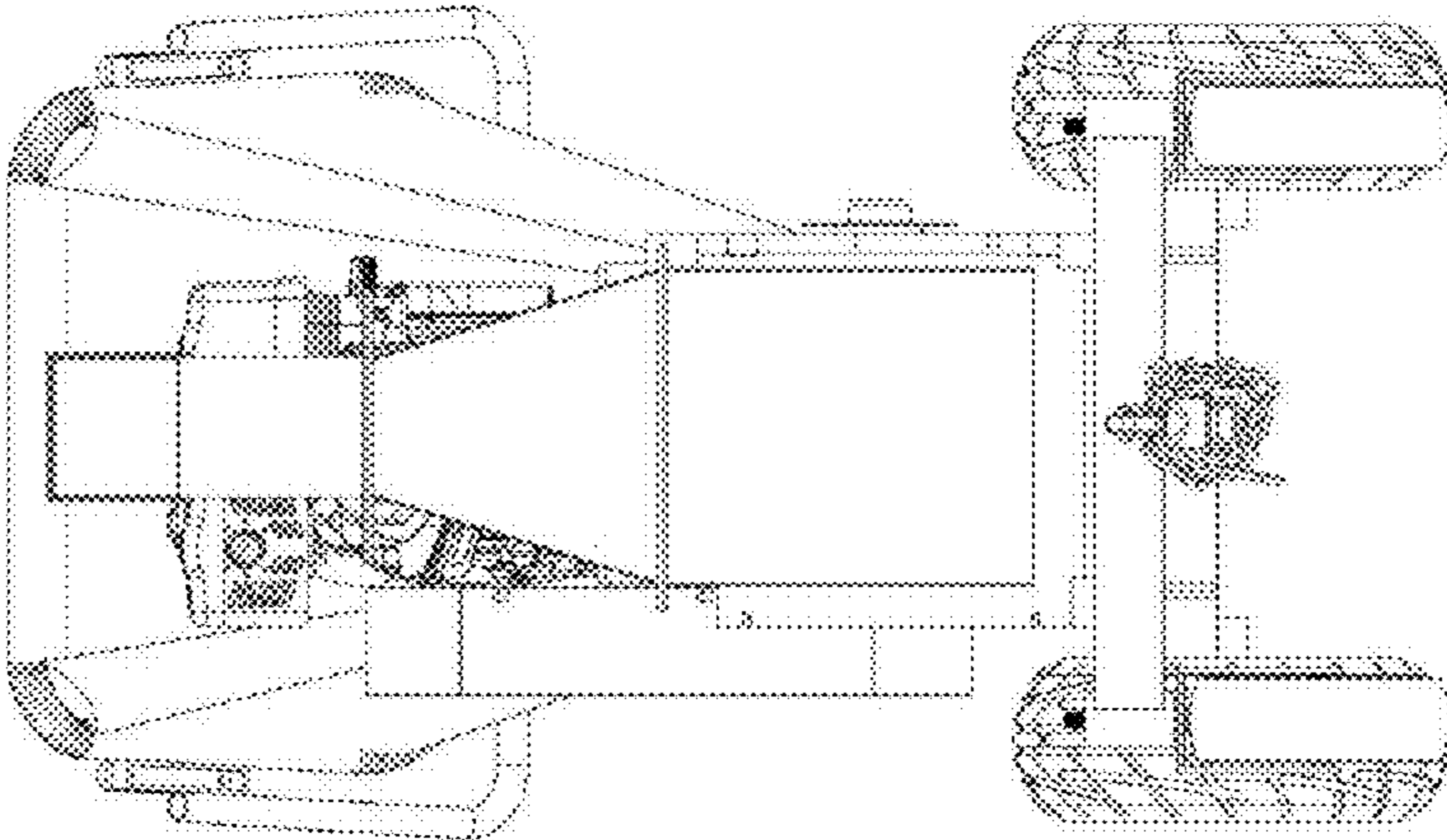


FIG. 4

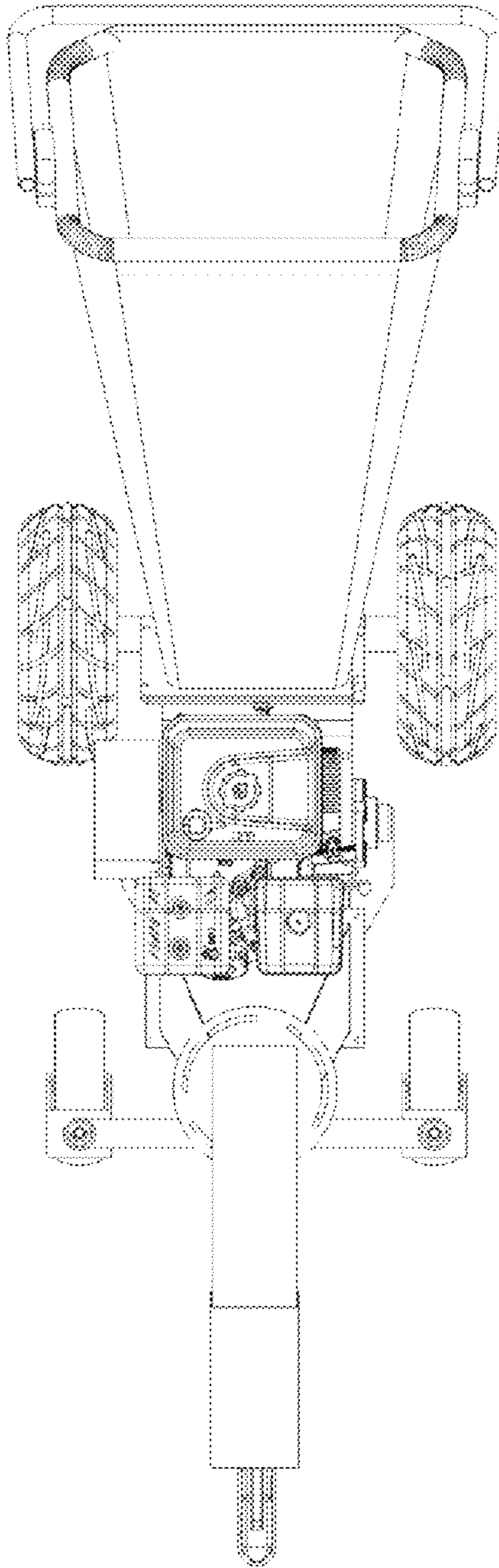


FIG. 5

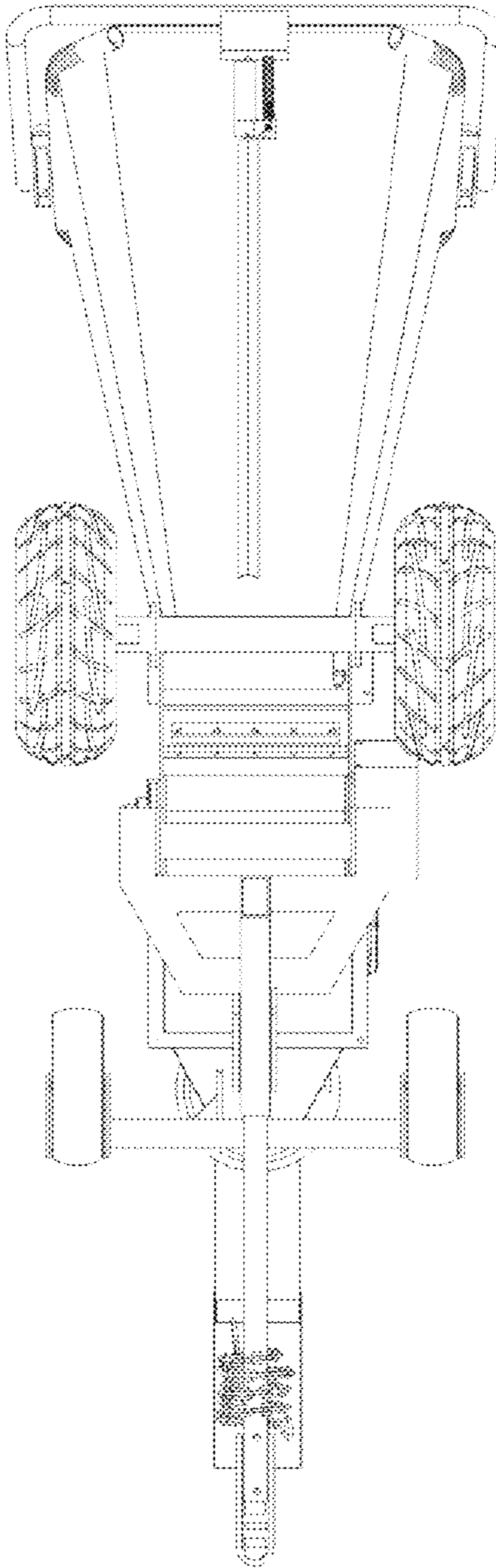


FIG. 6

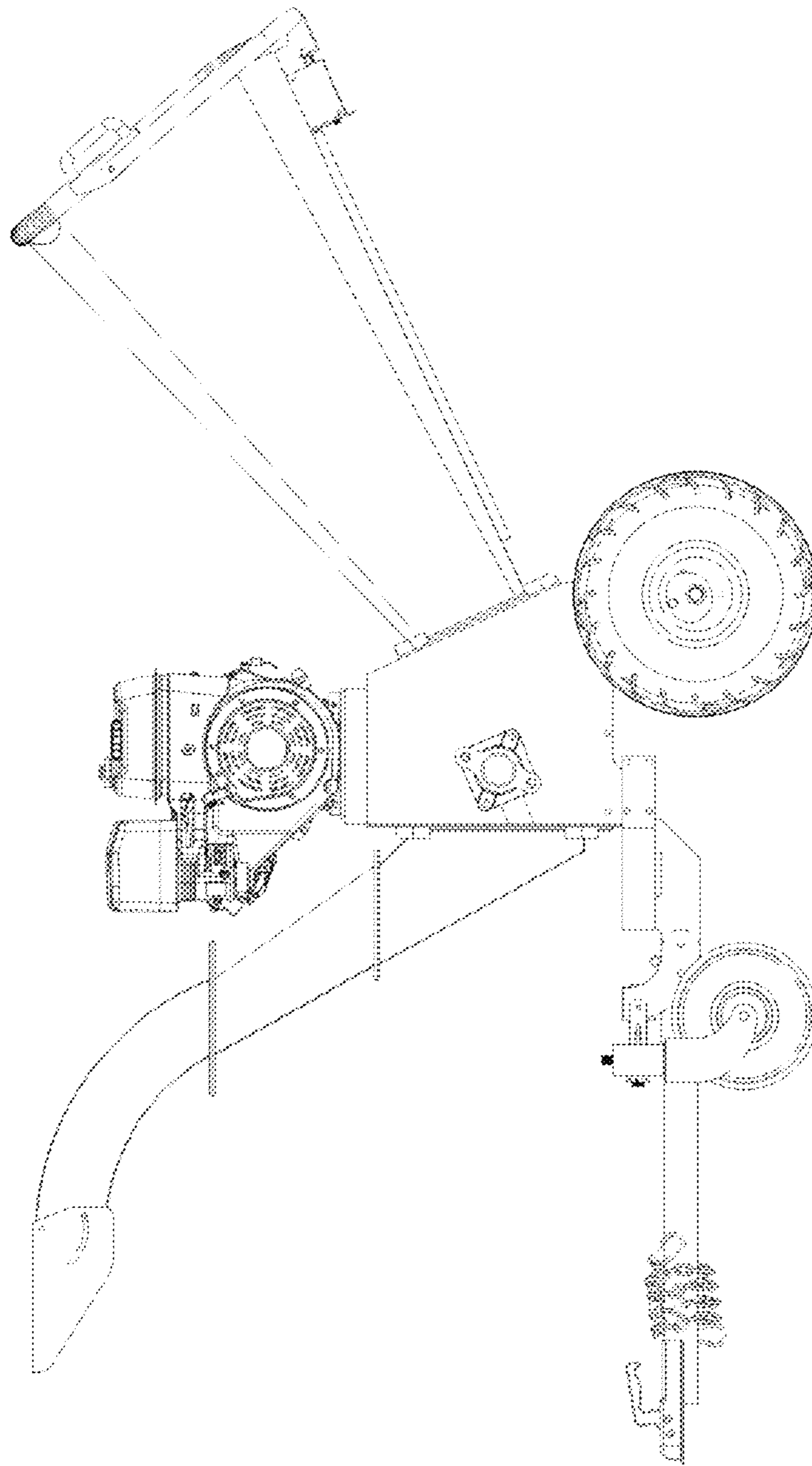


FIG. 7

