



US00D899466S

(12) **United States Design Patent**
Nemoto et al.

(10) **Patent No.:** **US D899,466 S**
(45) **Date of Patent:** **** Oct. 20, 2020**

(54) **FLUID PRESSURE CYLINDER WITH LOCK MECHANISM**

D699,759 S * 2/2014 Peschel D15/7
D699,760 S * 2/2014 Peschel D15/7
D871,457 S * 12/2019 Ikari D15/7
D888,773 S * 6/2020 Sato D15/7

(71) Applicant: **SMC CORPORATION**, Chiyoda-ku (JP)

FOREIGN PATENT DOCUMENTS

(72) Inventors: **Shinichiro Nemoto**, Ichikawa (JP);
Masahiko Kawakami, Moriya (JP);
Sho Aso, Adachi-ku (JP)

JP D1615192 10/2018

(73) Assignee: **SMC CORPORATION**, Chiyoda-ku (JP)

OTHER PUBLICATIONS

(**) Term: **15 Years**

Office Action dated Oct. 7, 2019 in Japanese Design Application No. 2019-002091 (with English translation), 6 pages.

(21) Appl. No.: **29/699,754**

* cited by examiner

(22) Filed: **Jul. 29, 2019**

Primary Examiner — Gino Colan
(74) *Attorney, Agent, or Firm* — Oblon, McClelland, Maier & Neustadt, L.L.P.

(30) **Foreign Application Priority Data**

(57) **CLAIM**

Feb. 1, 2019 (JP) 2019-002091

The ornamental design for a fluid pressure cylinder with lock mechanism, as shown and described.

(51) **LOC (12) Cl.** **15-02**

(52) **U.S. Cl.**
USPC **D15/7**

DESCRIPTION

(58) **Field of Classification Search**
USPC D15/7, 143, 28, 5, 8, 9; D23/233, 235, D23/231, 232, 225; 417/60, 235, 265, 417/321, 355, 358, 363, 359, 410.1, 417/415-416, 405, 900
CPC F15B 15/1447; F15B 15/149; F15B 15/1438; F15B 15/1457; F15B 15/222; F15B 15/2861; F15B 15/1428; F15B 15/1461; F16J 10/02; F16J 1/12; F02M 37/04

FIG. 1 is a front elevational view of a fluid pressure cylinder with lock mechanism;
FIG. 2 is a rear elevational view thereof;
FIG. 3 is a top plan view thereof;
FIG. 4 is a bottom plan view thereof;
FIG. 5 is a left side elevational view thereof;
FIG. 6 is a right side elevational view thereof;
FIG. 7 is a front, top, and left side perspective view thereof;
and,
FIG. 8 is a rear, bottom, and right side perspective view thereof.

See application file for complete search history.

The broken lines shown in the figures illustrate portions of the fluid pressure cylinder with lock mechanism that form no part of the claimed design.

(56) **References Cited**

U.S. PATENT DOCUMENTS

D370,683 S * 6/1996 Stahlman D15/7
D480,405 S * 10/2003 Kleffmann D15/143

1 Claim, 7 Drawing Sheets

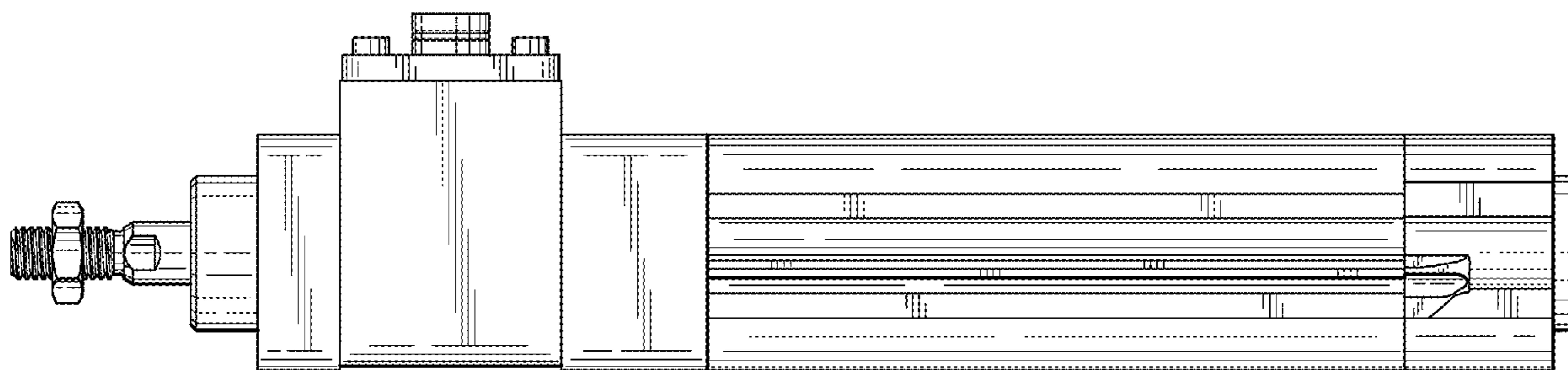
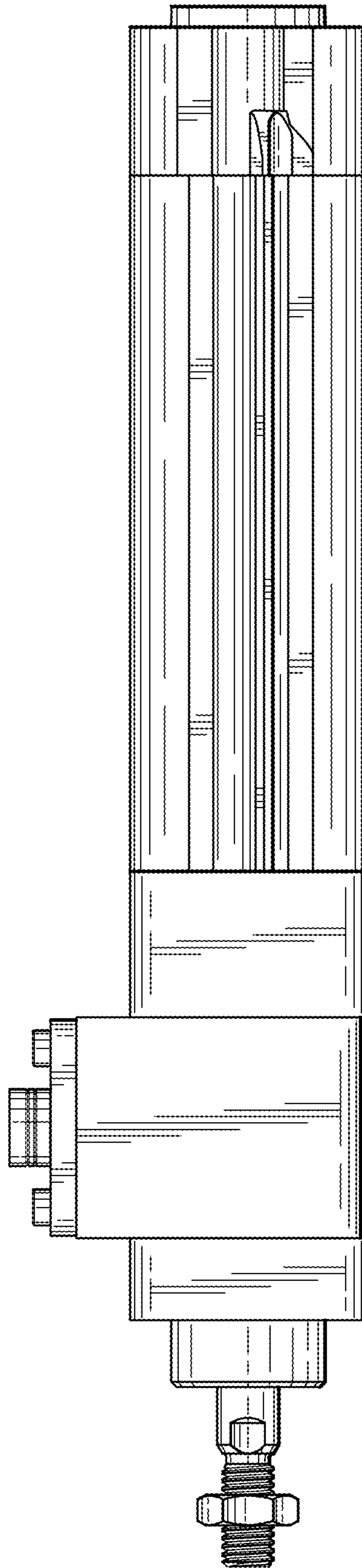


FIG. 1



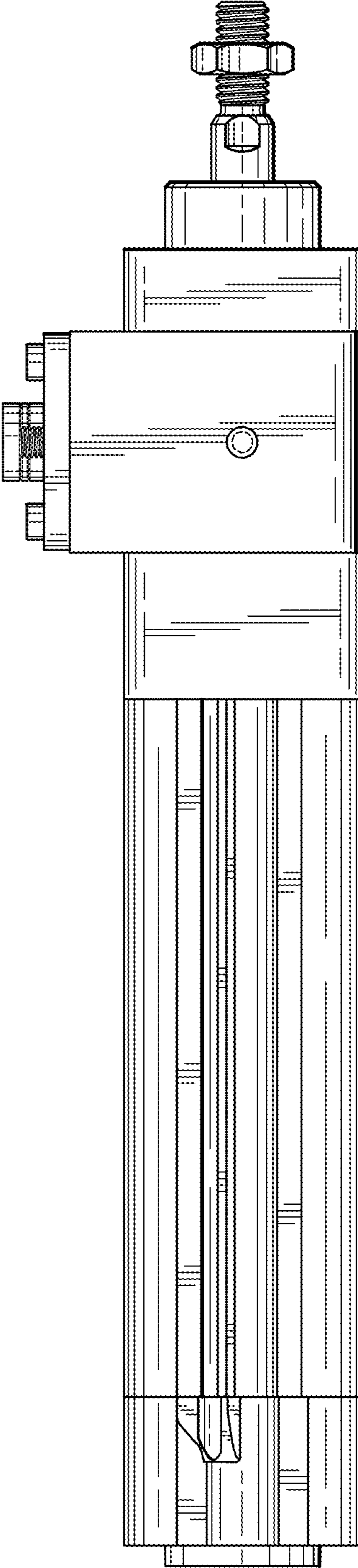


FIG. 2

FIG. 3

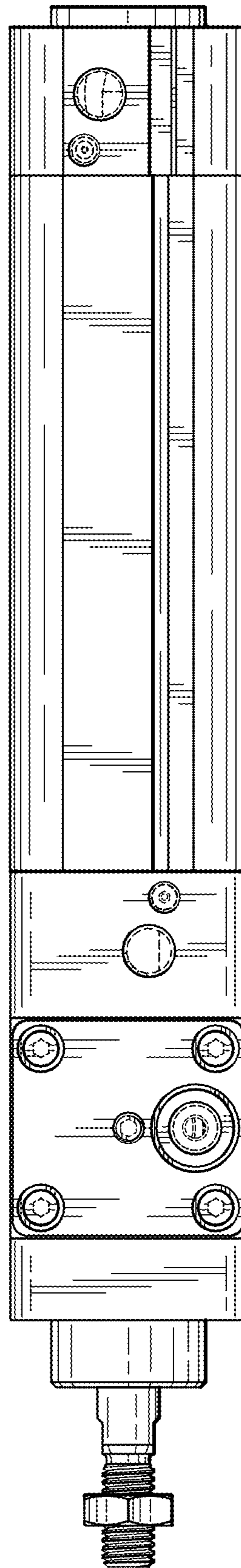


FIG. 4



FIG. 6

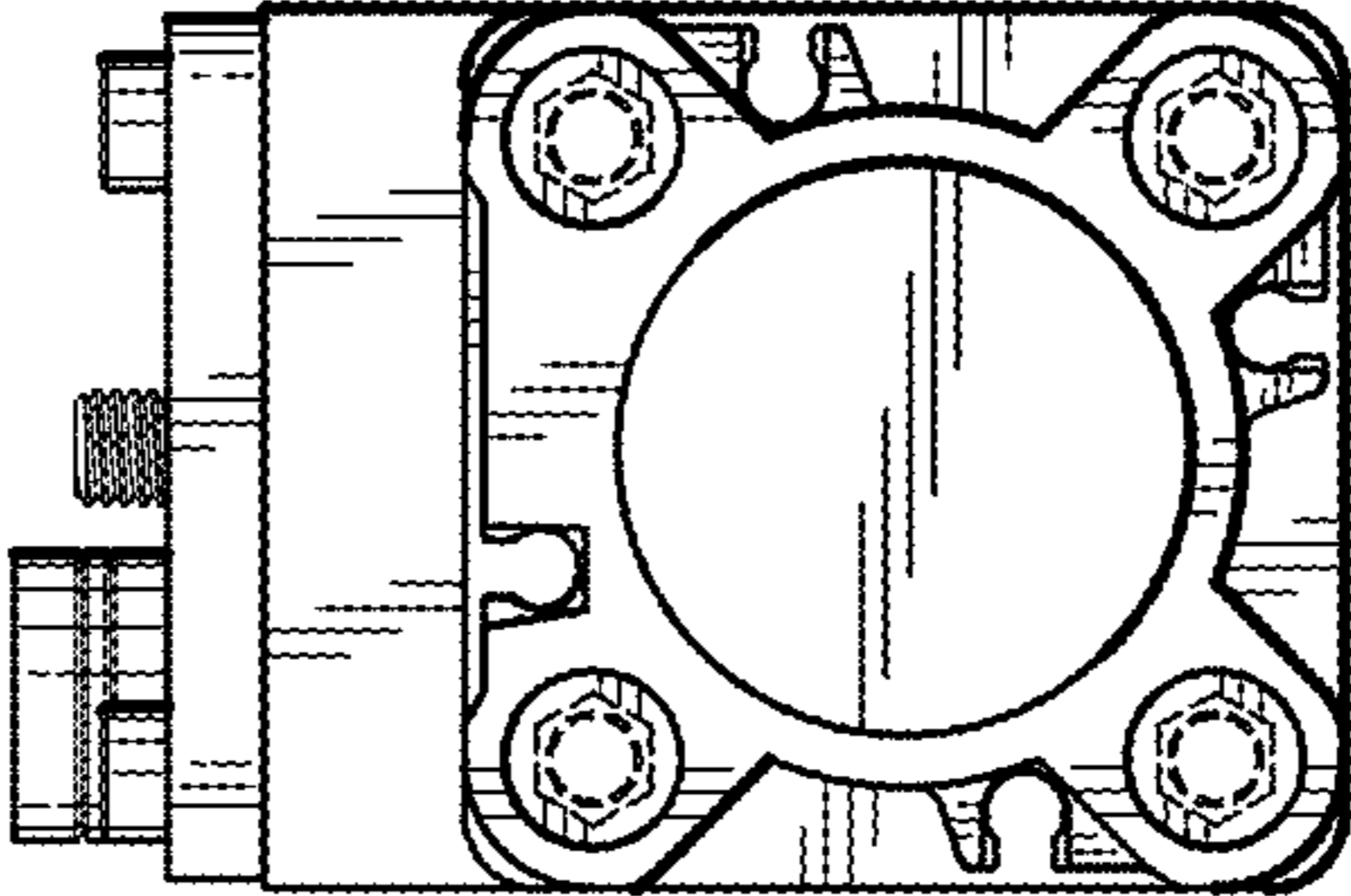


FIG. 5

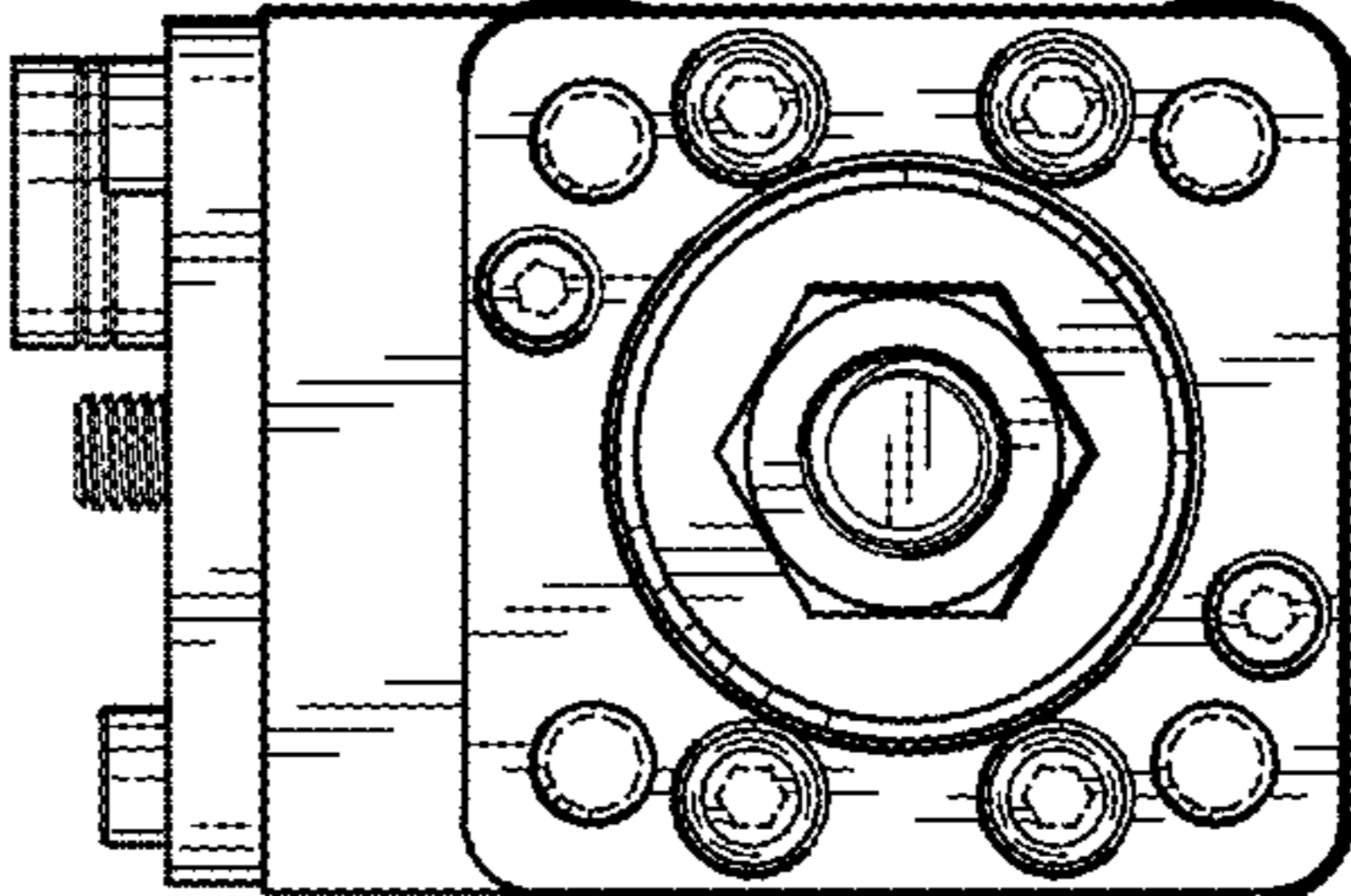


FIG. 7

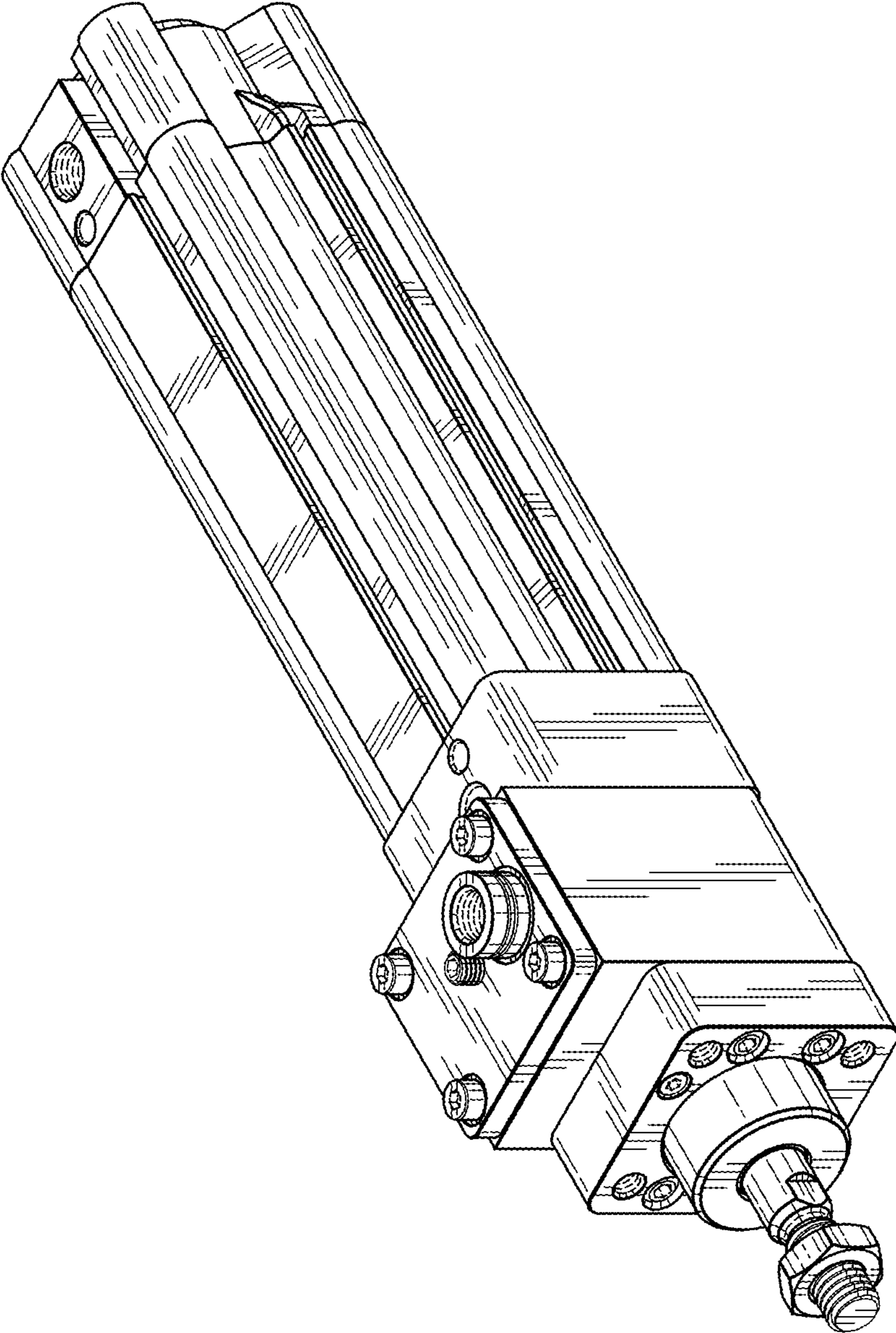


FIG. 8

