



US00D899465S

(12) **United States Design Patent**
Nemoto et al.

(10) **Patent No.:** **US D899,465 S**

(45) **Date of Patent:** **** Oct. 20, 2020**

(54) **FLUID PRESSURE CYLINDER WITH LOCK MECHANISM**

(71) Applicant: **SMC CORPORATION**, Chiyoda-ku (JP)

(72) Inventors: **Shinichiro Nemoto**, Ichikawa (JP);
Masahiko Kawakami, Moriya (JP);
Sho Aso, Adachi-ku (JP)

(73) Assignee: **SMC CORPORATION**, Chiyoda-ku (JP)

(**) Term: **15 Years**

(21) Appl. No.: **29/699,745**

(22) Filed: **Jul. 29, 2019**

(30) **Foreign Application Priority Data**

Feb. 1, 2019 (JP) 2019-002089

(51) **LOC (12) Cl.** **15-02**

(52) **U.S. Cl.**
USPC **D15/7**

(58) **Field of Classification Search**
USPC D15/7, 143, 28, 5, 8, 9; D23/233, 235, D23/231, 232, 225; 417/60, 235, 265, 417/321, 355, 358, 363, 359, 410.1, 417/415-416, 405, 900
CPC F15B 15/1447; F15B 15/149; F15B 15/1438; F15B 15/1457; F15B 15/222; F15B 15/2861; F15B 15/1428; F15B 15/1461; F16J 10/02; F16J 1/12; F02M 37/04

See application file for complete search history.

(56) **References Cited**

U.S. PATENT DOCUMENTS

D370,683	S	*	6/1996	Stahlman	D15/7
D480,405	S	*	10/2003	Kleffmann	D15/143
D699,759	S	*	2/2014	Peschel	D15/7
D699,760	S	*	2/2014	Peschel	D15/7
D871,457	S	*	12/2019	Ikari	D15/7
D888,773	S	*	6/2020	Sato	D15/7

* cited by examiner

Primary Examiner — Gino Colan

(74) *Attorney, Agent, or Firm* — Oblon, McClelland, Maier & Neustadt, L.L.P.

(57) **CLAIM**

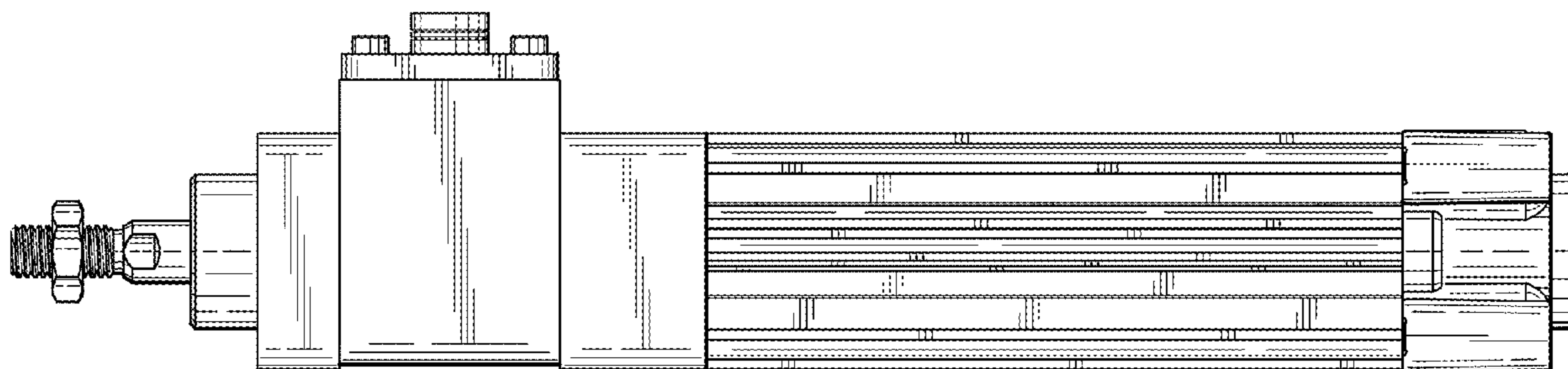
The ornamental design for a fluid pressure cylinder with lock mechanism, as shown and described.

DESCRIPTION

FIG. 1 is a front elevational view of a fluid pressure cylinder with lock mechanism;
FIG. 2 is a rear elevational view thereof;
FIG. 3 is a top plan view thereof;
FIG. 4 is a bottom plan view thereof;
FIG. 5 is a left side elevational view thereof;
FIG. 6 is a right side elevational view thereof;
FIG. 7 is a front, top, and left side perspective view thereof; and,
FIG. 8 is a rear, bottom, and right side perspective view thereof.

The broken lines shown in the figures illustrate portions of the fluid pressure cylinder with lock mechanism that form no part of the claimed design.

1 Claim, 7 Drawing Sheets



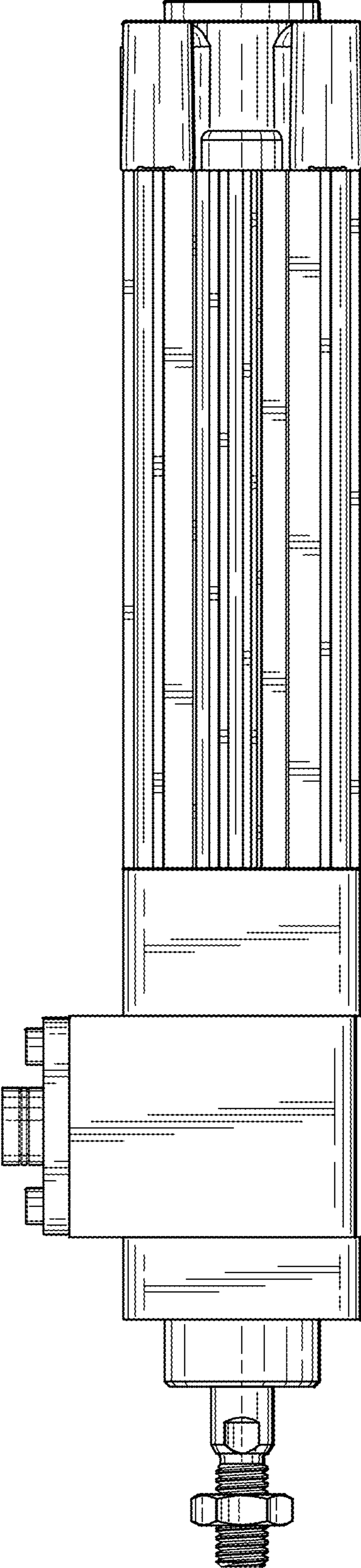


FIG. 1

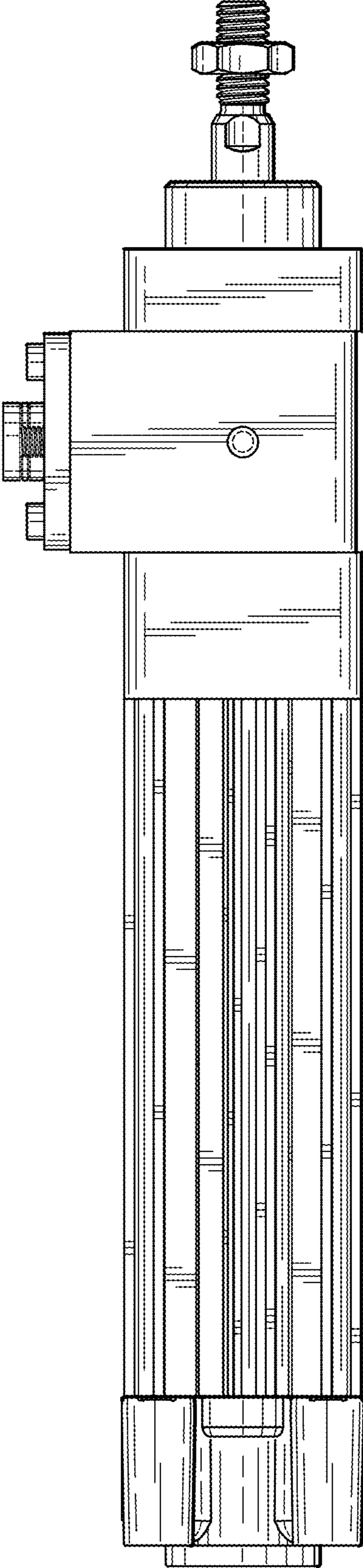


FIG. 2

FIG. 3

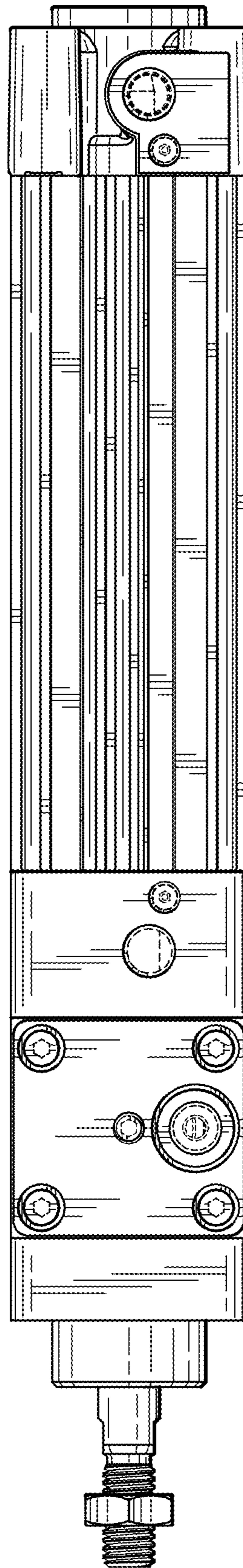


FIG. 4

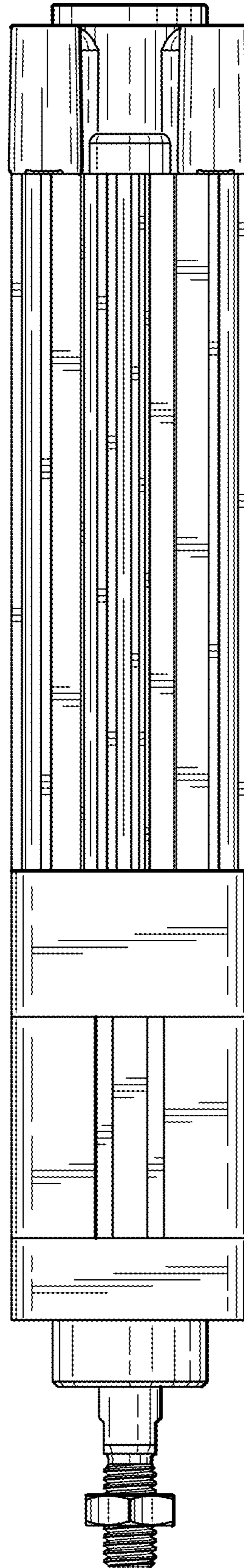


FIG. 6

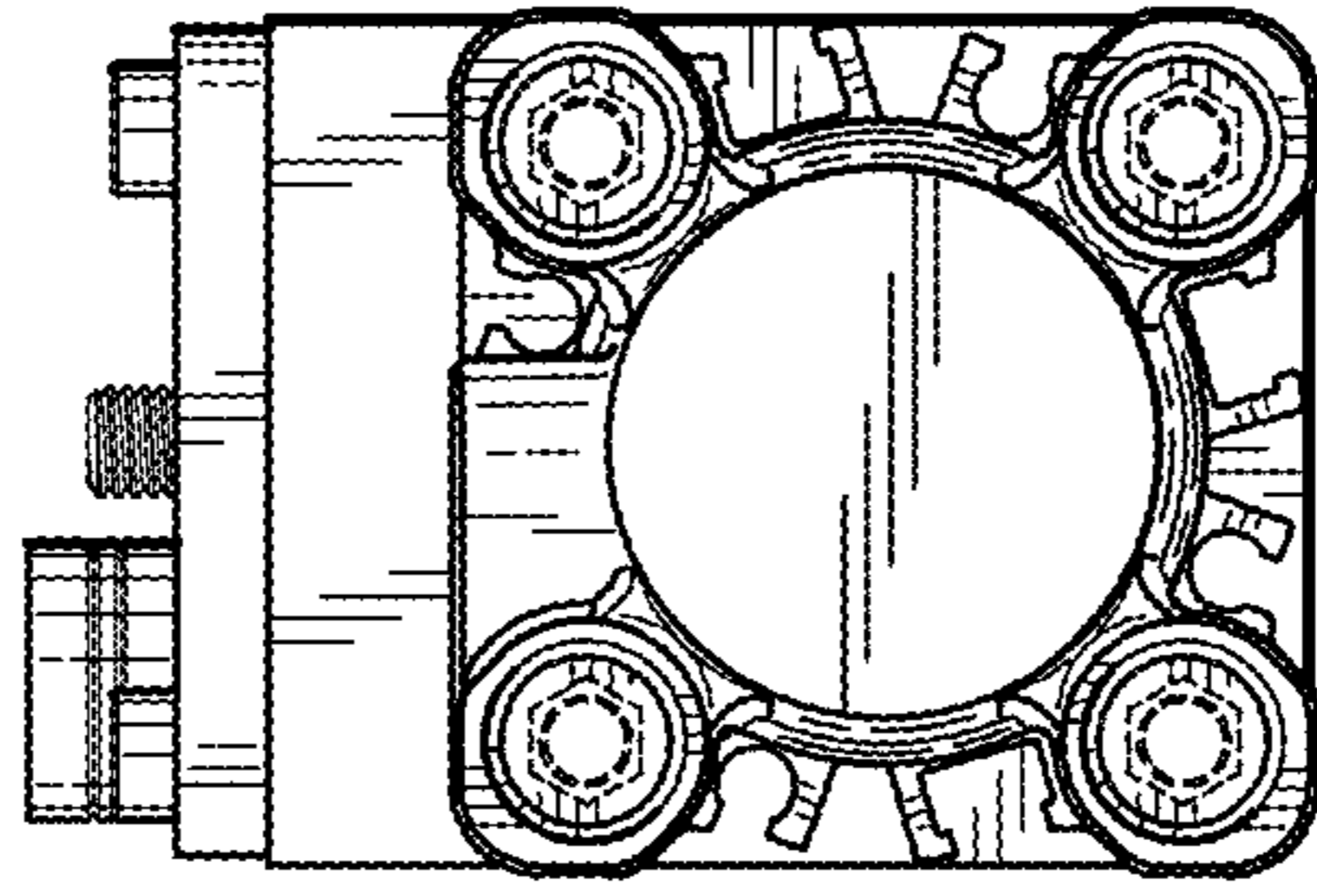
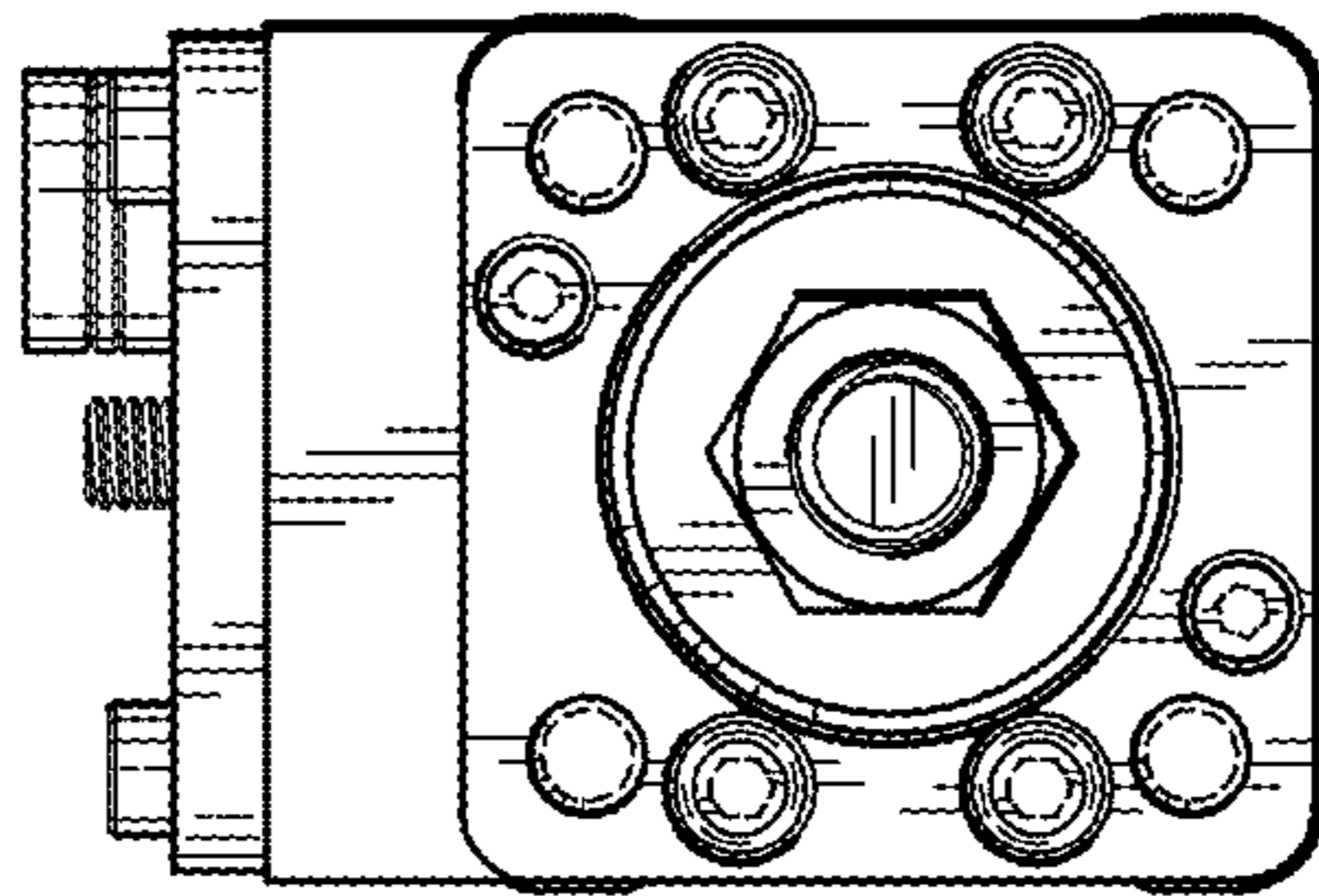


FIG. 5



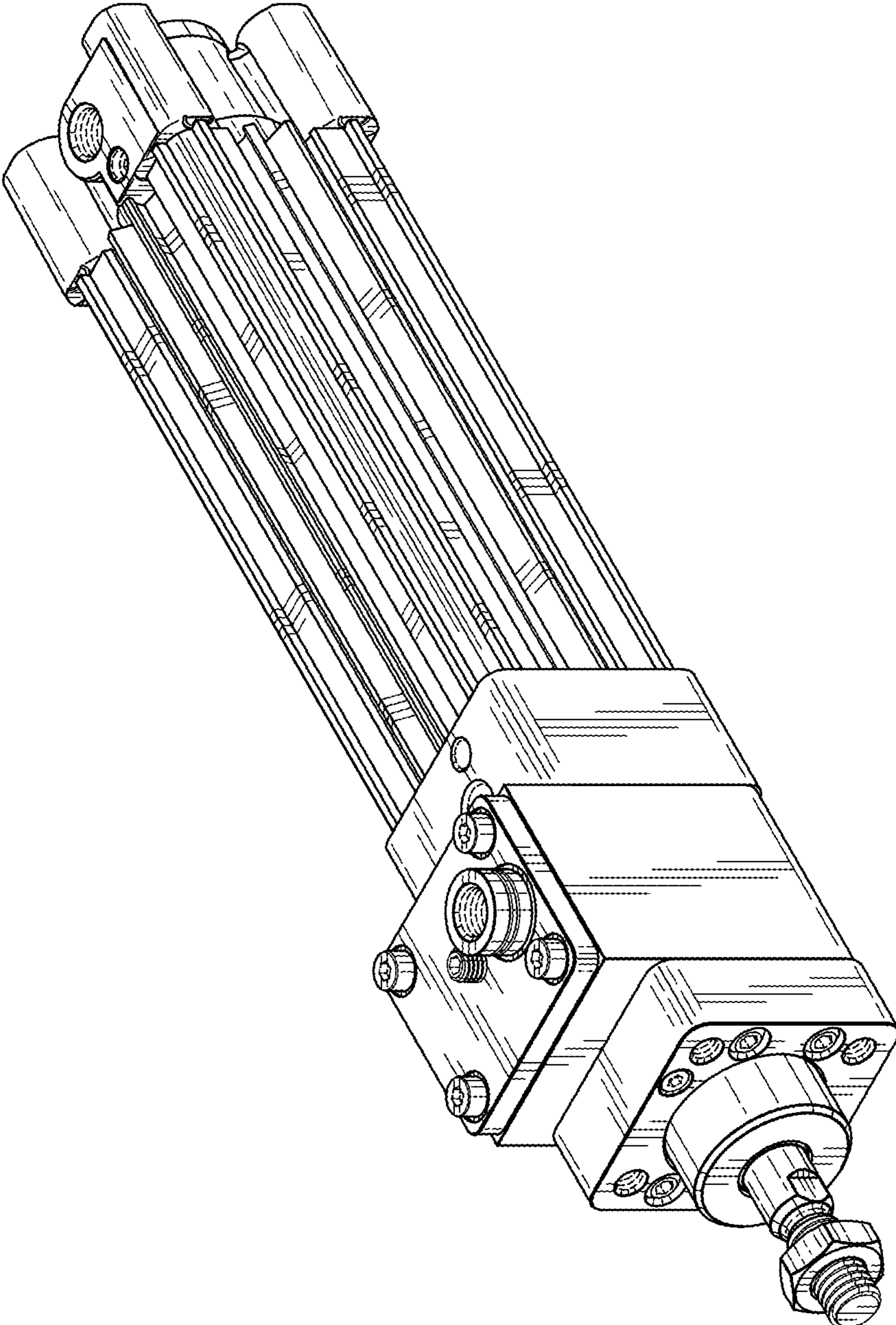


FIG. 7

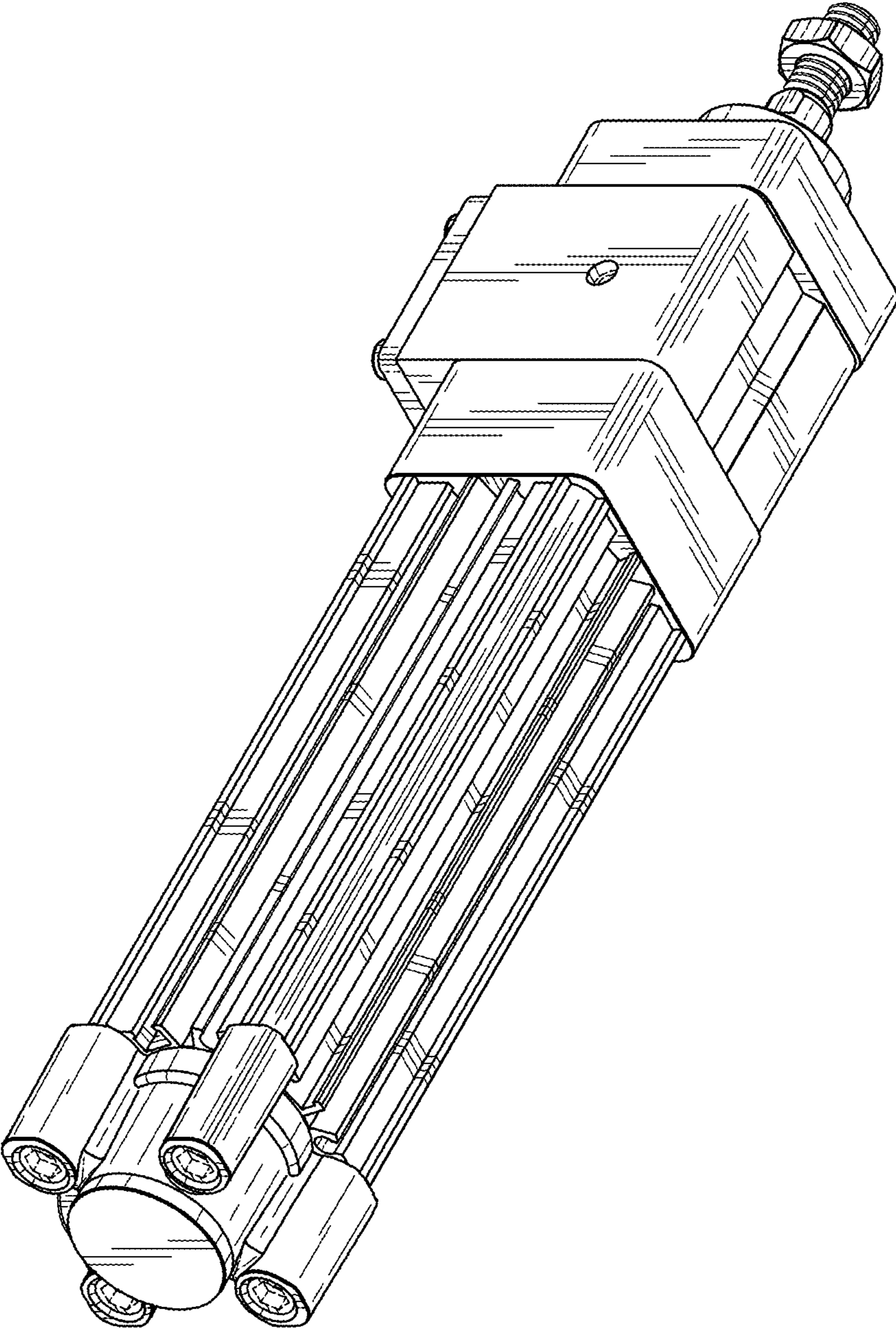


FIG. 8