



US00D899463S

(12) **United States Design Patent** (10) **Patent No.:** **US D899,463 S**
Kangas (45) **Date of Patent:** **** Oct. 20, 2020**

(54) **COMPRESSOR**

(71) Applicant: **Sulzer Management AG**, Winterthur (CH)

(72) Inventor: **Aimo Kangas**, Helsinki (FI)

(73) Assignee: **SULZER MANAGEMENT AG**, Winterthur (CH)

(**) Term: **15 Years**

(21) Appl. No.: **29/681,500**

(22) Filed: **Feb. 26, 2019**

(30) **Foreign Application Priority Data**

Sep. 12, 2018 (EM) 005638160

(51) **LOC (12) Cl.** **15-02**

(52) **U.S. Cl.**
USPC **D15/7**

(58) **Field of Classification Search**
USPC D15/7-9; D13/103; D24/111
CPC E03B 5/00; F04B 35/04-06; F04B 41/02;
F04B 39/12; F04B 19/003; F04B 47/04;
F01D 15/08
See application file for complete search history.

(56) **References Cited**

U.S. PATENT DOCUMENTS

- D353,384 S * 12/1994 Ninomiya D15/7
- D376,138 S * 12/1996 Moon D14/140.2
- D388,062 S * 12/1997 Desiano D14/308
- D428,605 S * 7/2000 Claprod D13/184
- D441,728 S * 5/2001 Fujikura D13/158
- D466,521 S * 12/2002 Kumar D15/7
- D497,369 S * 10/2004 Govier D15/9
- D503,971 S * 4/2005 Otaki D15/79
- D513,755 S * 1/2006 Begg D13/112
- D550,721 S * 9/2007 Tanaka D15/9
- D552,626 S * 10/2007 Suthmann D15/9
- D604,822 S * 11/2009 Lee D23/351

- D622,737 S * 8/2010 Nagai D15/9
- D630,652 S * 1/2011 Yoshioka D15/7
- RE42,173 E * 3/2011 Suthmann D15/9
- D653,740 S * 2/2012 Satou D23/351
- D653,741 S * 2/2012 Tsuji D23/351
- D653,742 S * 2/2012 Satou D23/351
- D697,533 S * 1/2014 Desiron D15/7
- D703,978 S * 5/2014 Suthmann D6/669
- D753,728 S * 4/2016 Ohta D15/9

(Continued)

OTHER PUBLICATIONS

Air Compressors Direct, Atlas Copco SF2+ AP 3-HP, [site visited Apr. 15, 2020]. Sold on aircompressordirect.com, URL:<https://www.aircompressordirect.com/Atlas-Copco-8153611275-Air-Compressor/p77769.html?preferred_placement=1&plid=18790> (Year:2020) (Year: 2020).*

(Continued)

Primary Examiner — Sheryl Lane
Assistant Examiner — Mark T. Philipps
(74) *Attorney, Agent, or Firm* — Global IP Counselors, LLP

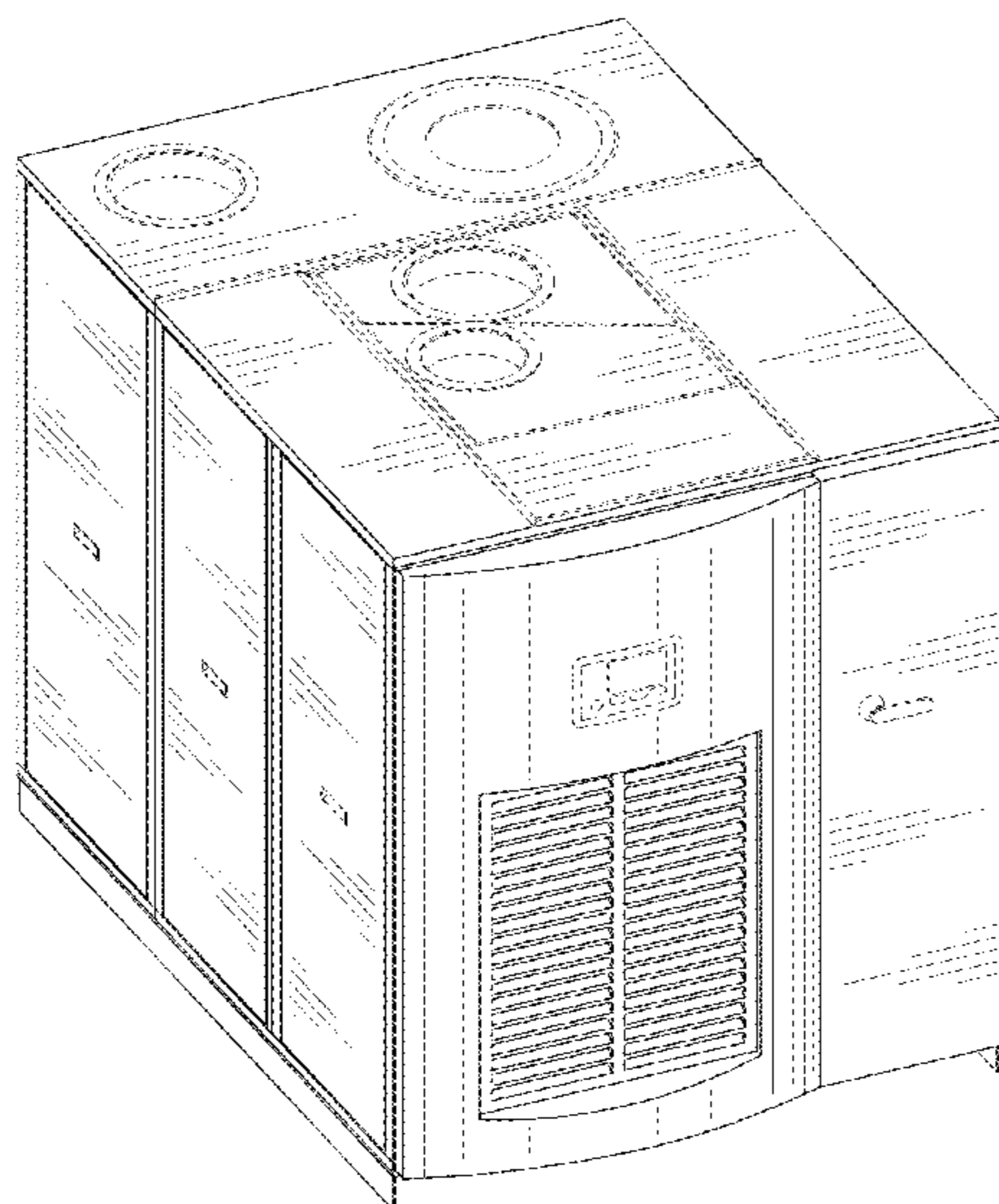
(57) **CLAIM**

The ornamental design for a compressor, as shown and described.

DESCRIPTION

FIG. 1 is a front perspective view of a compressor in accordance with our new design;
FIG. 2 is a front view thereof;
FIG. 3 is a back view thereof;
FIG. 4 is a top view thereof;
FIG. 5 is a bottom view thereof;
FIG. 6 is a right side view thereof; and,
FIG. 7 is a left side view thereof.
The broken lines shown in the drawings depict portions of the compressor that form no part of the claimed design.

1 Claim, 7 Drawing Sheets



(56)

References Cited

U.S. PATENT DOCUMENTS

D775,715 S * 1/2017 Kim D23/351
D809,024 S * 1/2018 Lopez D15/9
10,227,981 B2 * 3/2019 Kanaizumi F04C 23/001
D877,545 S * 3/2020 Suthmann D6/669
D883,339 S * 5/2020 Van Ham D15/9
D883,341 S * 5/2020 Van Ham D15/9
2005/0063844 A1 * 3/2005 Sato F04C 23/00
417/423.5

OTHER PUBLICATIONS

Ingersoll Rand, Next Generation R Series 30-37 kW Oil-Flooded Rotary Screw Compressors, [site visited Apr. 15, 2020]. IngersollRand.com, URL:<<https://www.ingersollrand.com/content/ir-products/en-us/air-compressor/products/rotary-contact-cooled-aircompressors/>> (Year:2020) (Year: 2020).*

* cited by examiner

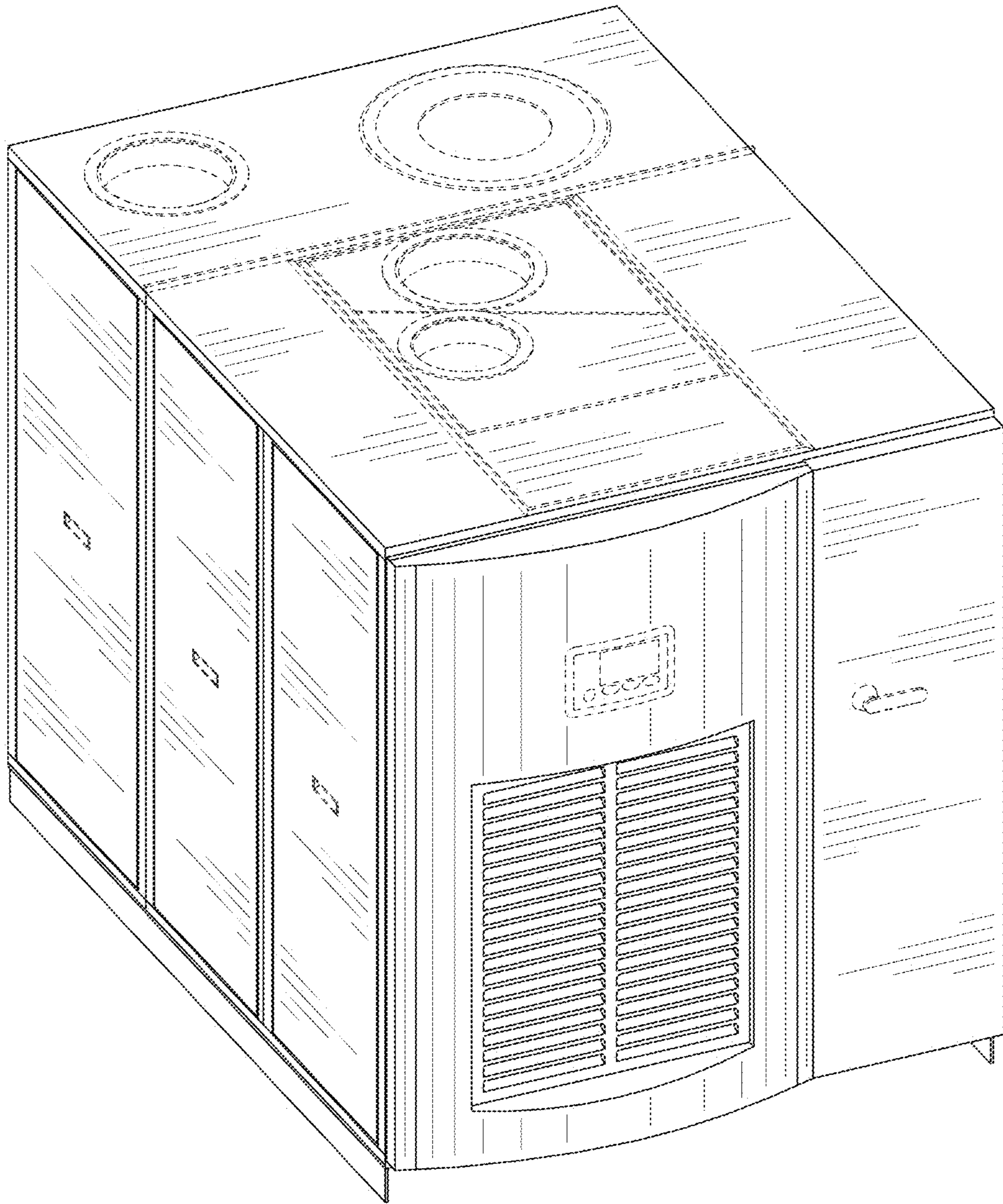


FIG. 1

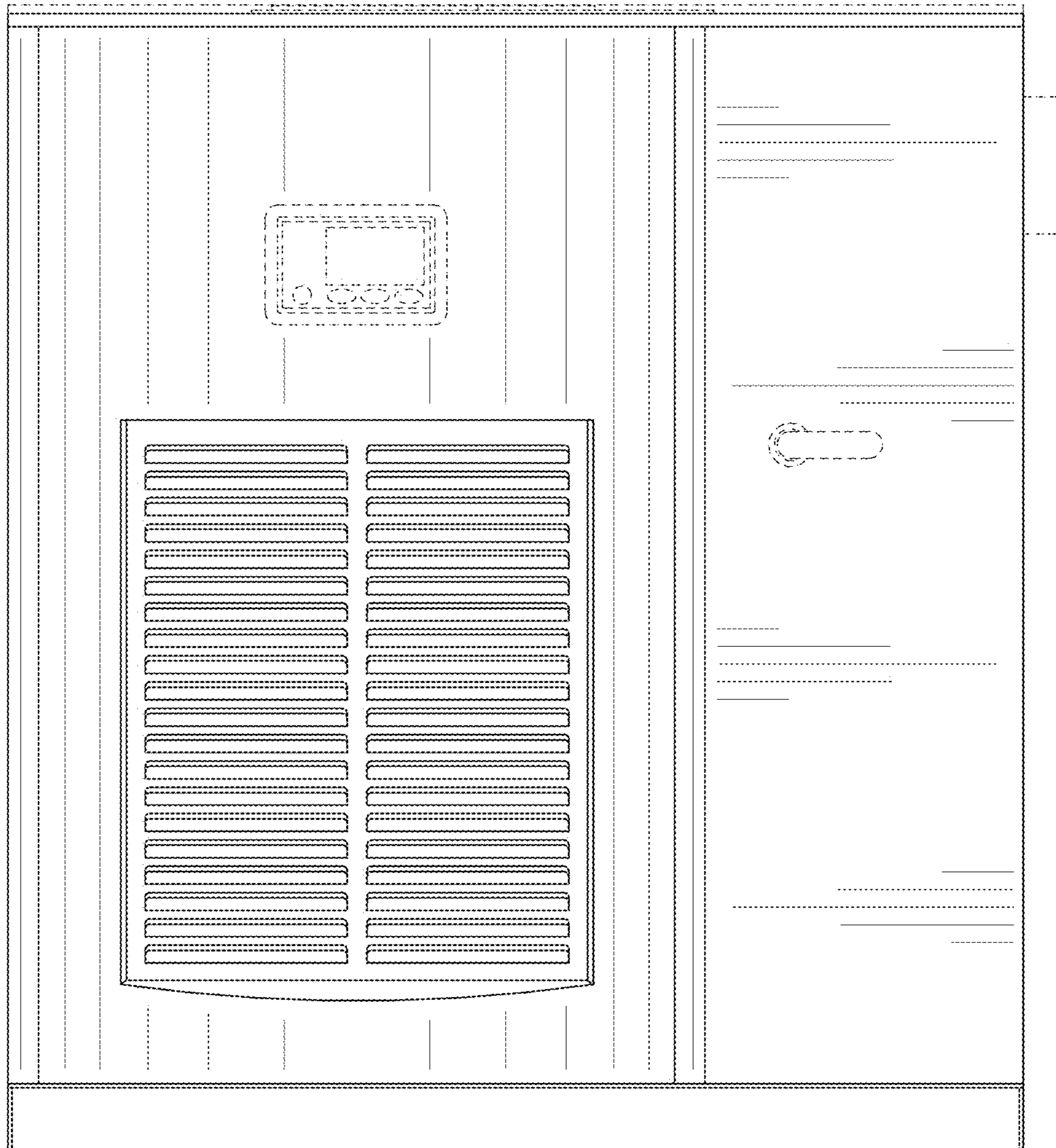


FIG. 2

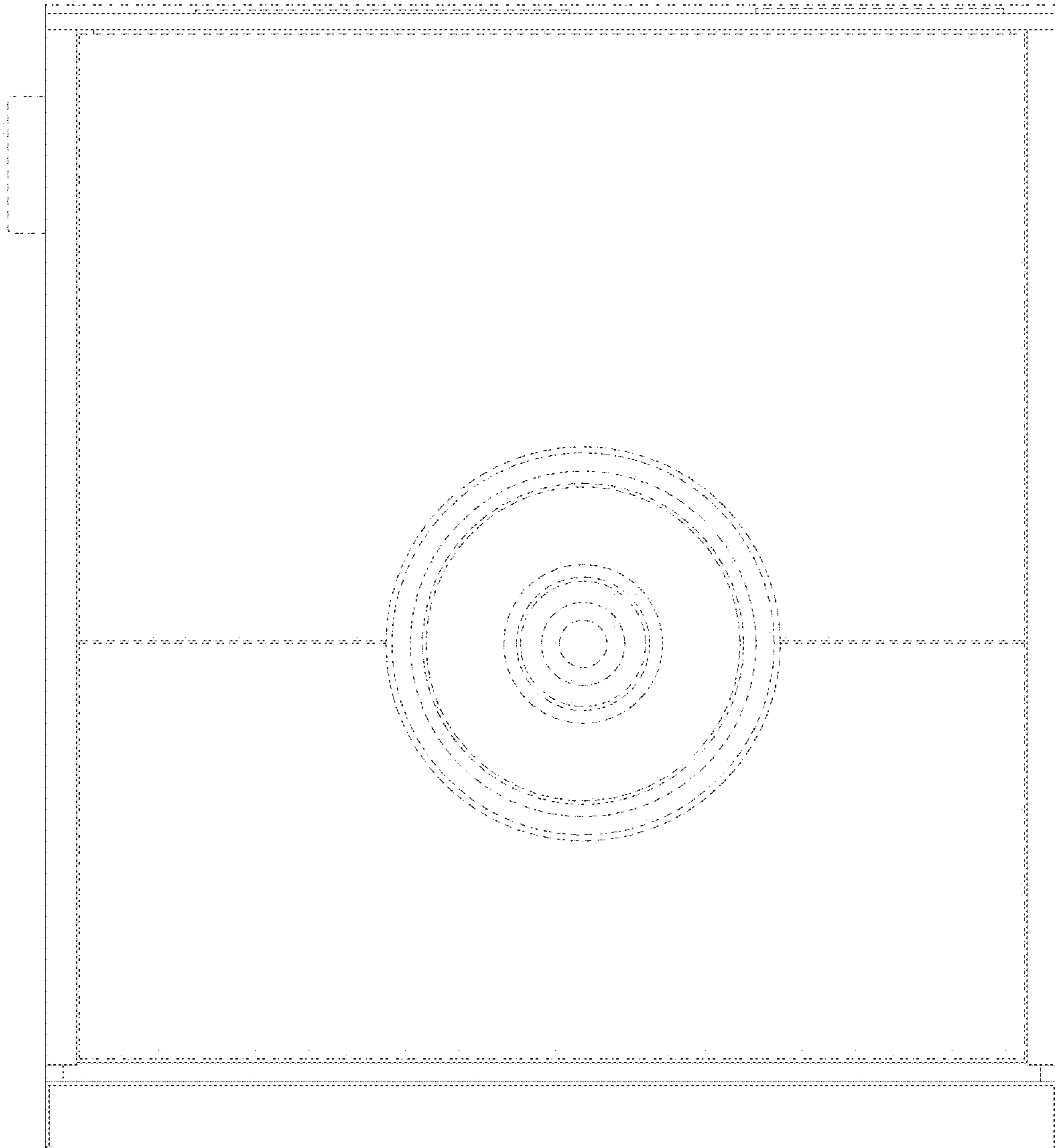


FIG. 3

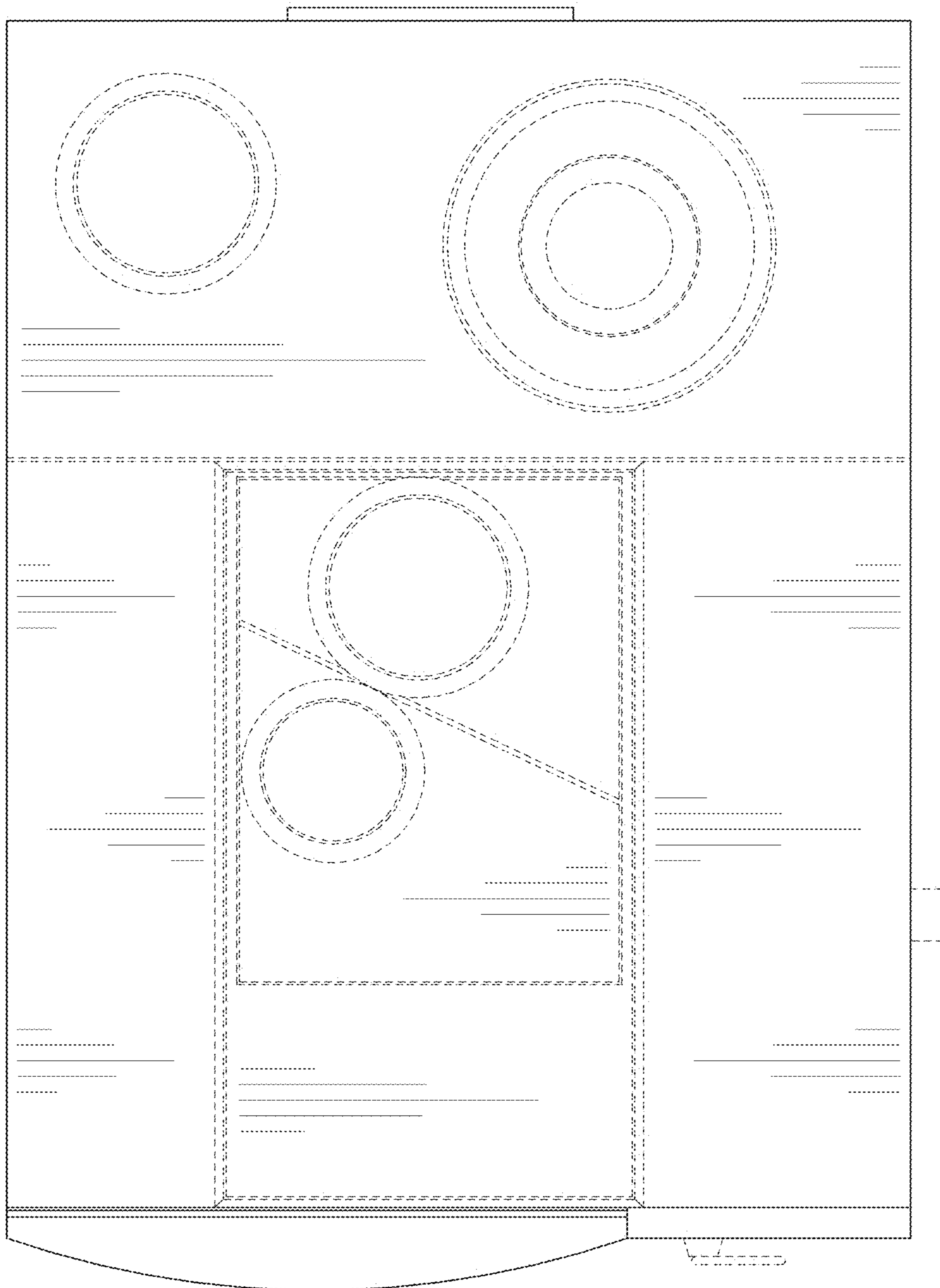


FIG. 4

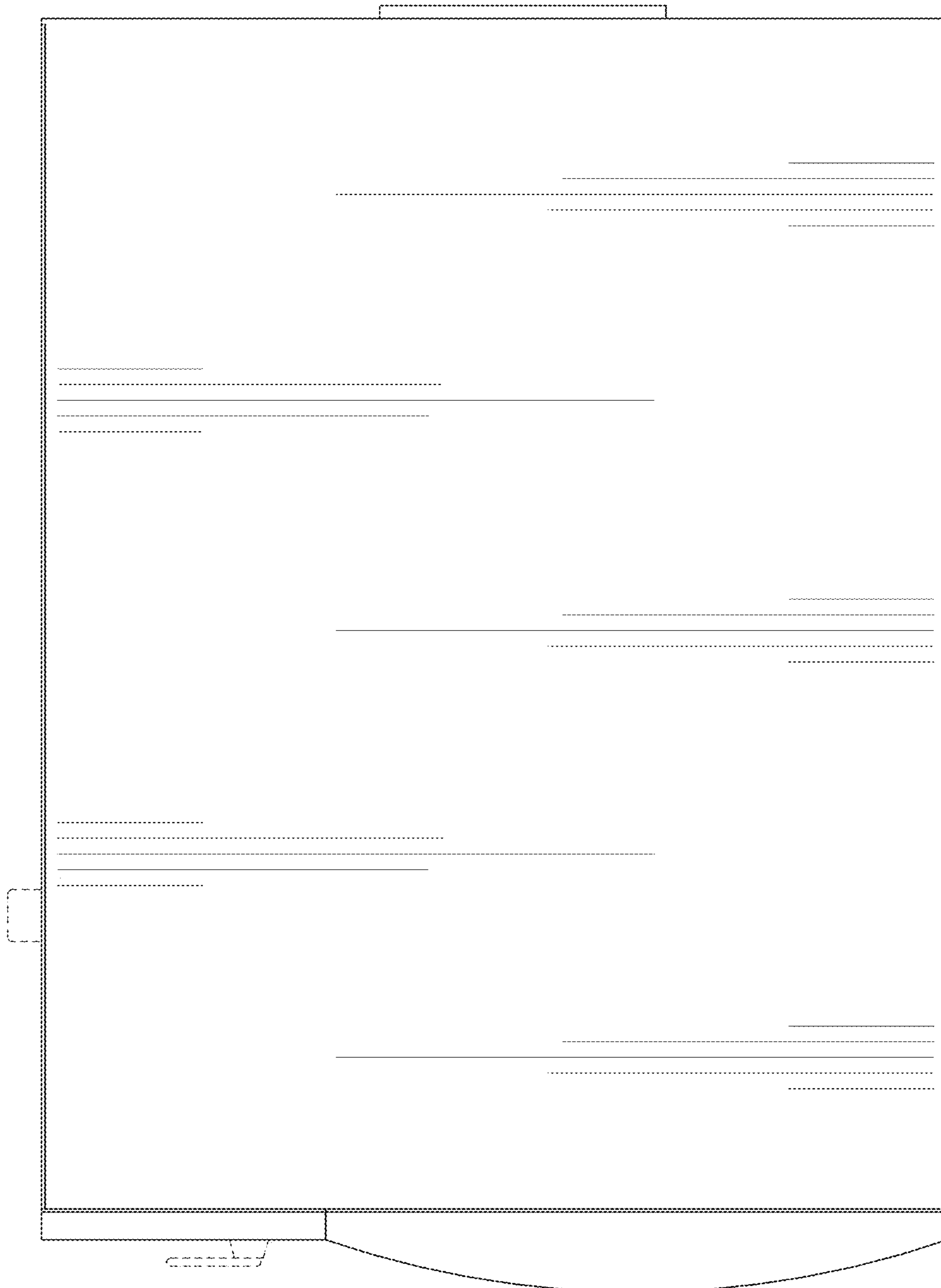


FIG. 5

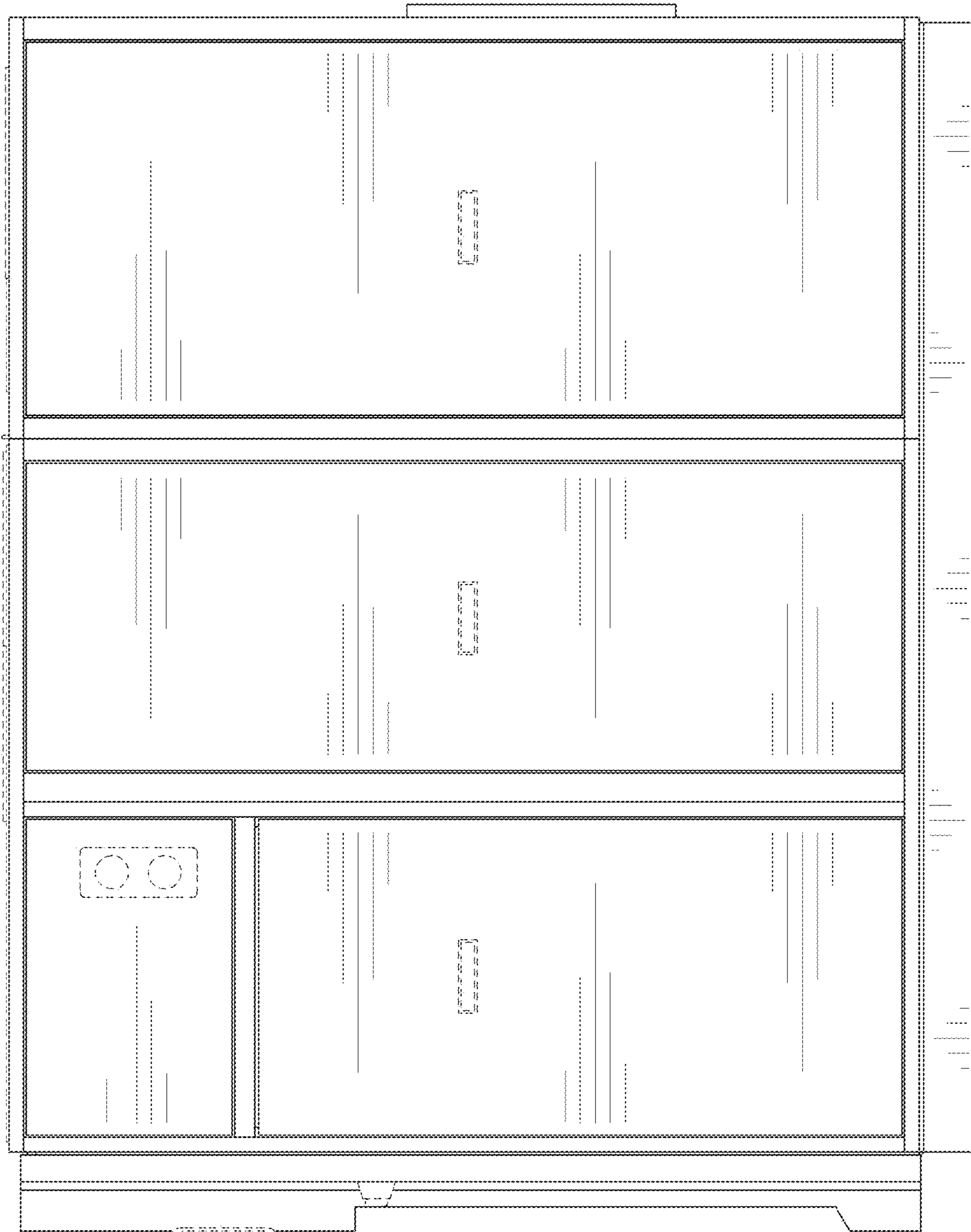


FIG. 6

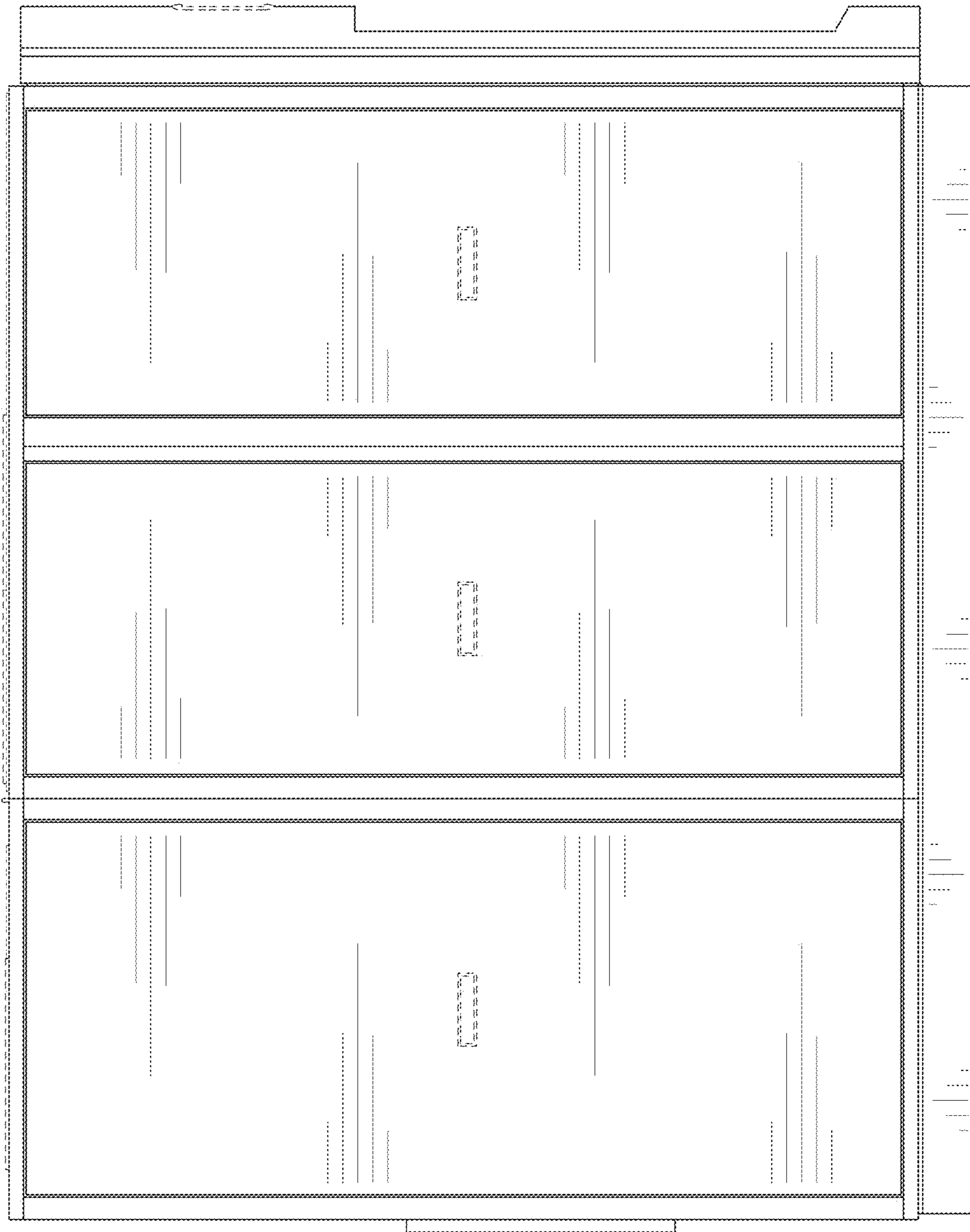


FIG. 7