



US00D899461S

(12) **United States Design Patent**
Niakan et al.

(10) **Patent No.:** **US D899,461 S**
(45) **Date of Patent:** **** Oct. 20, 2020**

(54) **AIR INTAKE SYSTEM WITH A RIBBED AIRBOX**

(71) Applicant: **Advanced Flow Engineering, Inc.**,
Corona, CA (US)

(72) Inventors: **Shahriar Nick Niakan**, Corona, CA
(US); **George R. Chiang**, Corona, CA
(US); **Christian Luc Landel**, Corona,
CA (US)

(73) Assignee: **Advanced Flow Engineering, Inc.**,
Corona, CA (US)

(**) Term: **15 Years**

(21) Appl. No.: **29/733,379**

(22) Filed: **May 1, 2020**

Related U.S. Application Data

(63) Continuation of application No. 29/656,476, filed on
Jul. 12, 2018, now Pat. No. Des. 886,867.

(51) **LOC (12) Cl.** **15-01**

(52) **U.S. Cl.**
USPC **D15/5**

(58) **Field of Classification Search**
USPC D15/1, 2, 3, 4, 5, 6
See application file for complete search history.

(56) **References Cited**

U.S. PATENT DOCUMENTS

D754,208 S * 4/2016 Niakan D15/5
D762,735 S * 8/2016 Niakan D15/5

2006/0196462 A1* 9/2006 Quezada F02M 35/10144
123/184.21
2012/0152632 A1* 6/2012 Azuma F02M 35/04
180/68.3
2014/0116015 A1* 5/2014 Niakan B01D 46/0002
55/495
2019/0388819 A1* 12/2019 Niakan F16L 21/002
2019/0388820 A1* 12/2019 Niakan F16L 21/002

* cited by examiner

Primary Examiner — Ania Aman

(74) *Attorney, Agent, or Firm* — Crockett & Crockett,
PC; K. David Crockett, Esq.; Niky Economy Syrengelas,
Esq.

(57) **CLAIM**

The ornamental design for an air intake system with a ribbed
airbox, as shown and described.

DESCRIPTION

FIG. 1 is a left-front perspective view of an air intake system
with a ribbed airbox showing our new design.

FIG. 2 is a front elevation view thereof.

FIG. 3 cross-section view of the air intake system of FIG. 2
taken along 3-3.

FIG. 4 is a left side elevation view thereof.

FIG. 5 is a right side elevation view thereof.

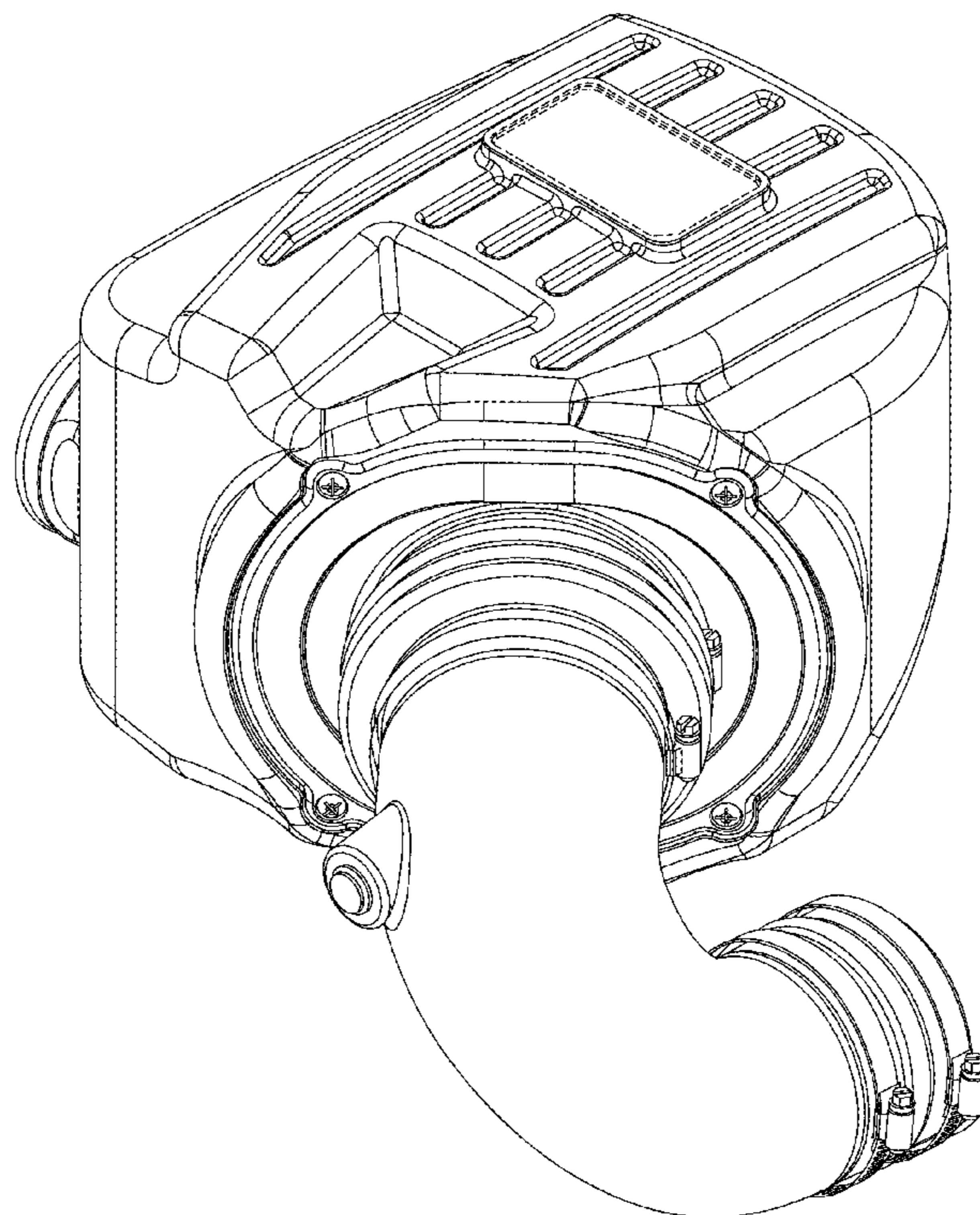
FIG. 6 is a rear elevation view thereof.

FIG. 7 is a top plan view thereof; and,

FIG. 8 is a bottom plan view thereof.

Broken lines in the attached drawings are included for the
purpose of illustrating portions of the air intake system with
a ribbed airbox and form no part of the claimed design.

1 Claim, 8 Drawing Sheets



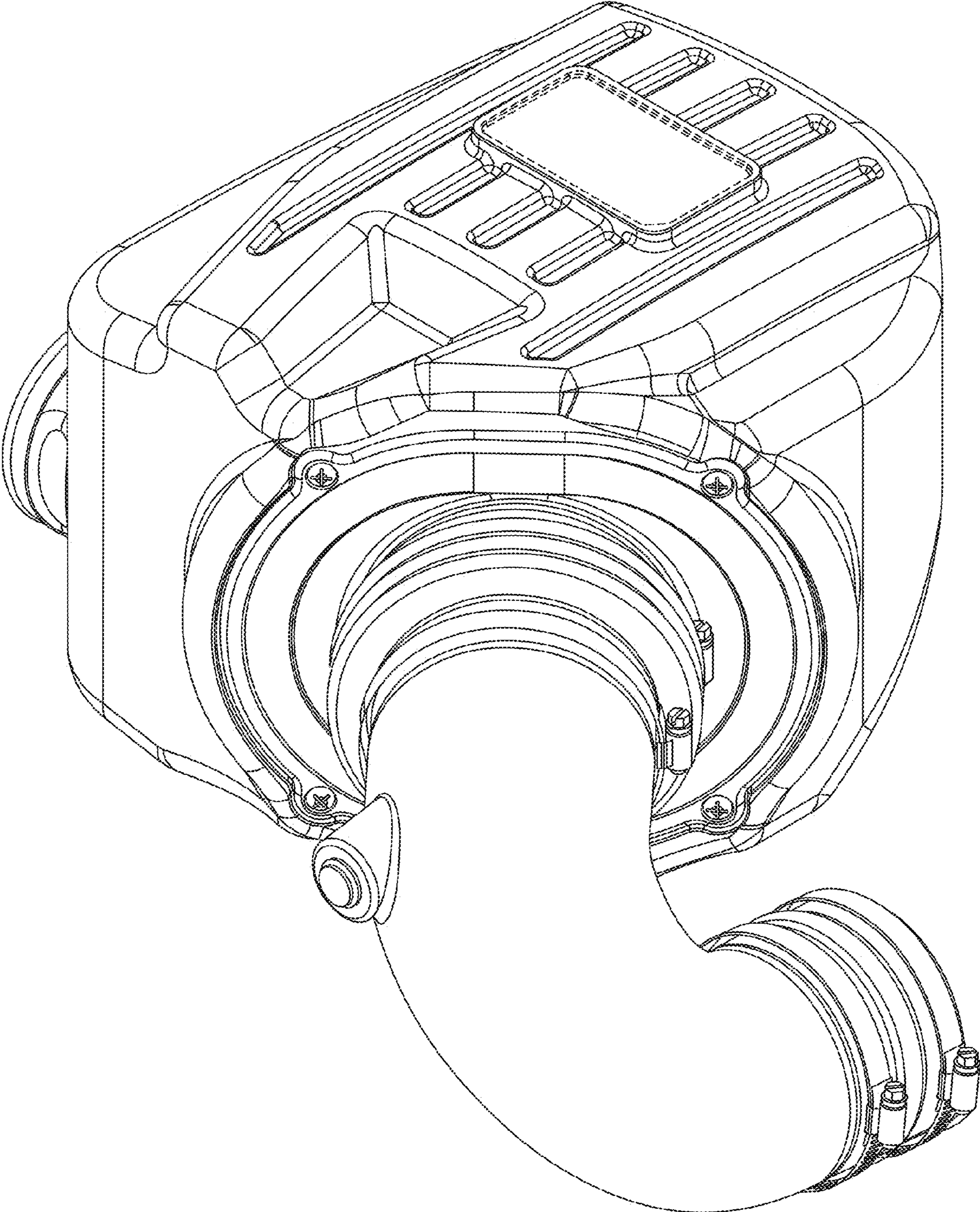


FIG. 1

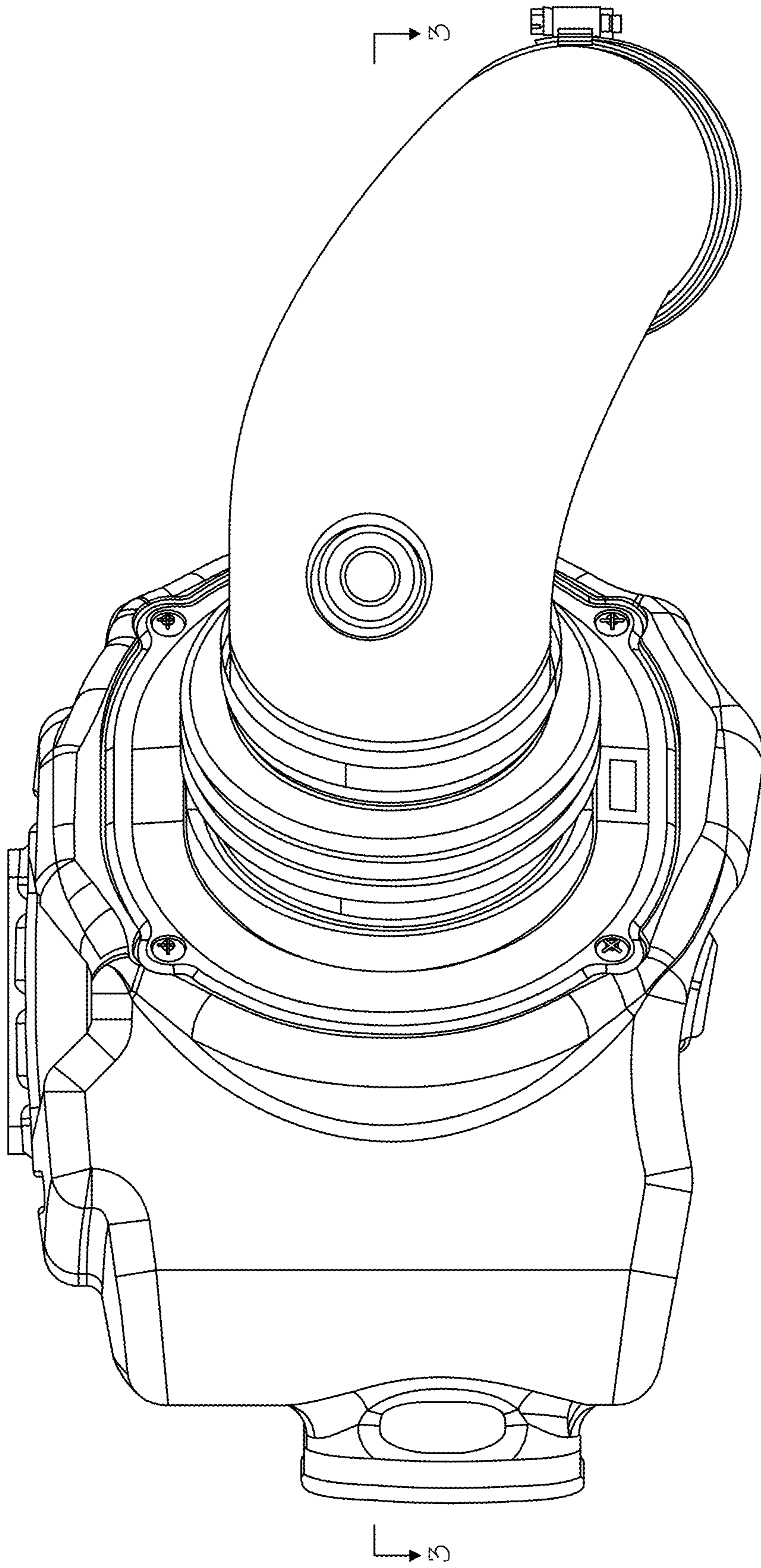


FIG. 2

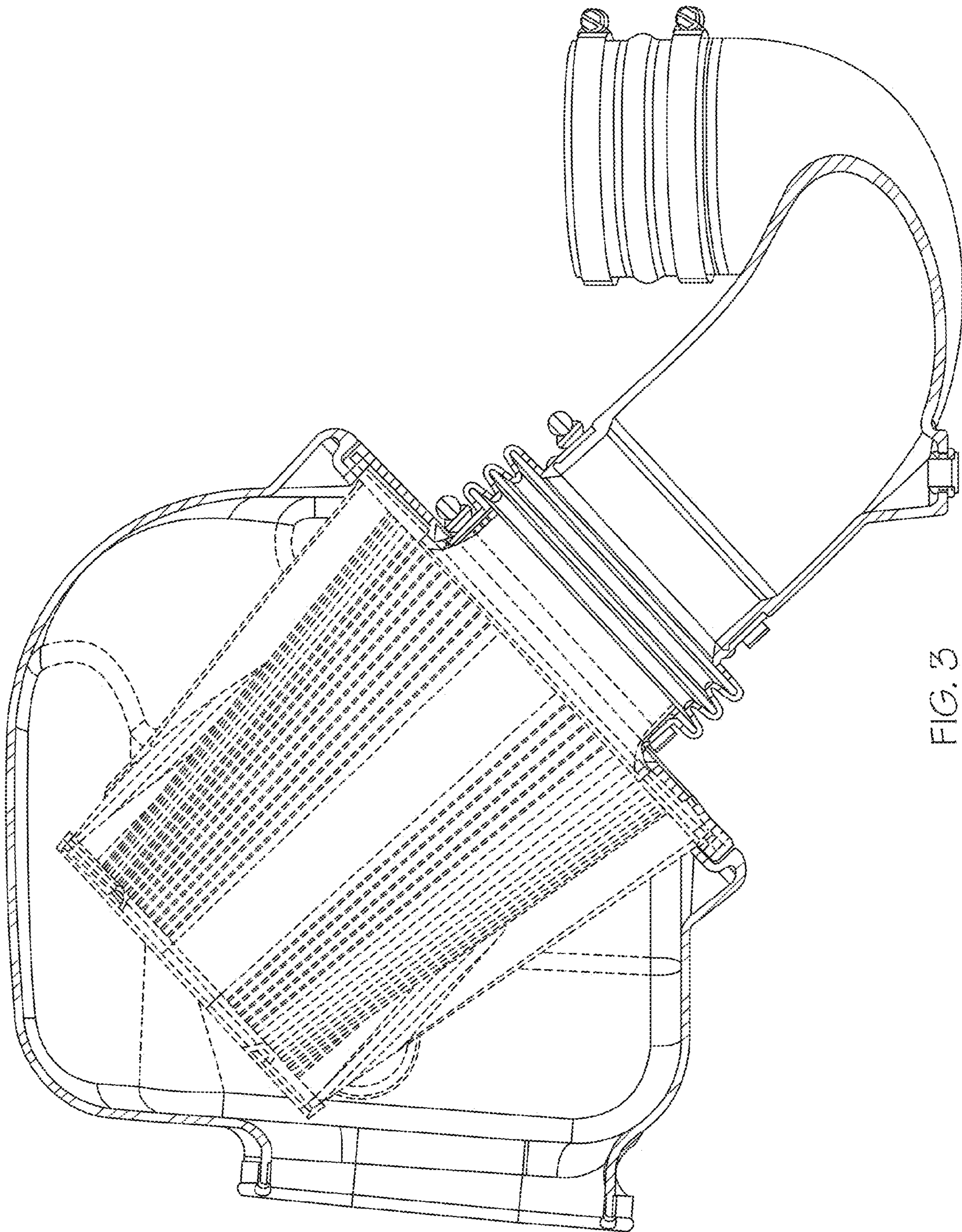


FIG. 3

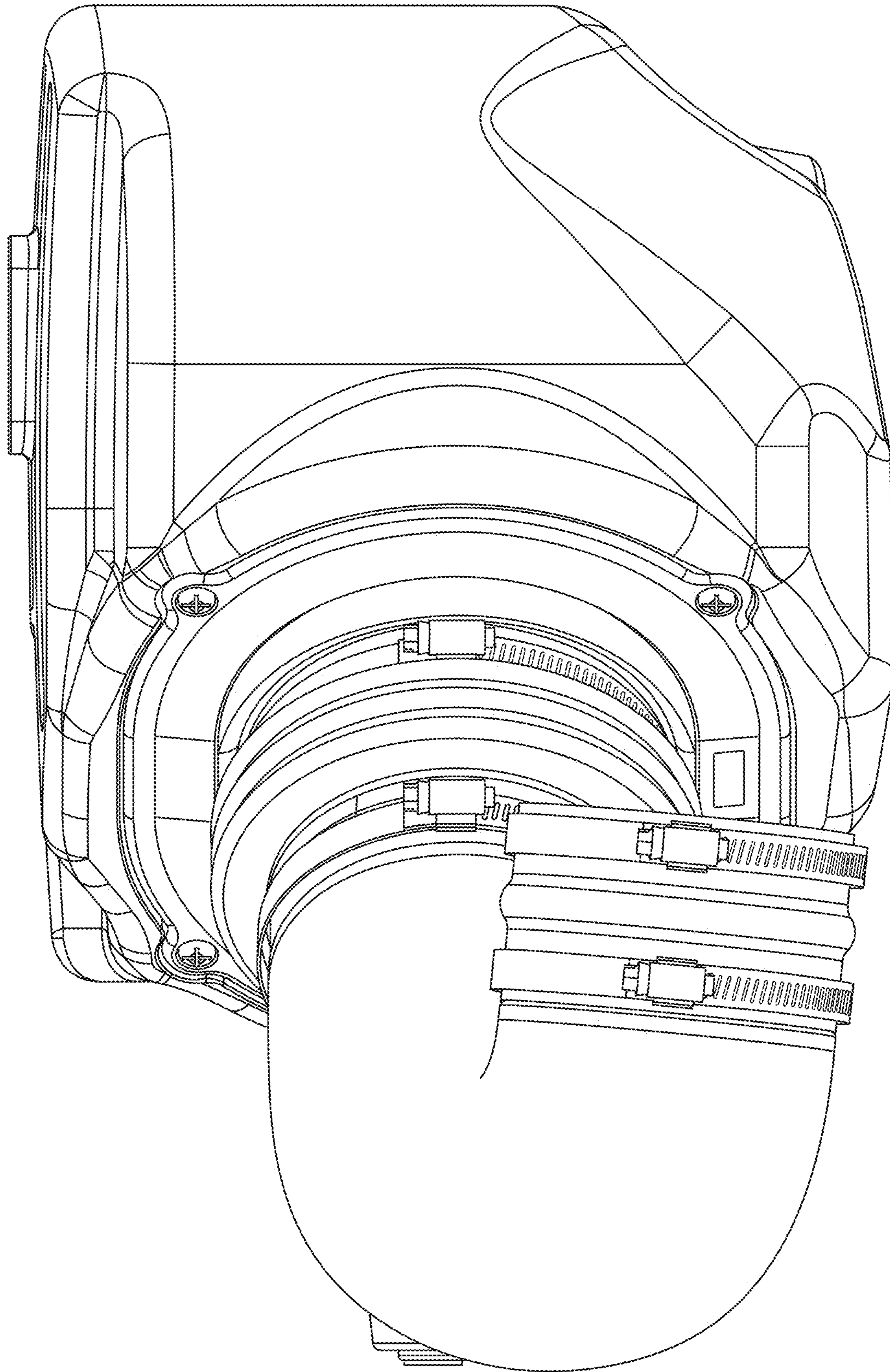


FIG. 4

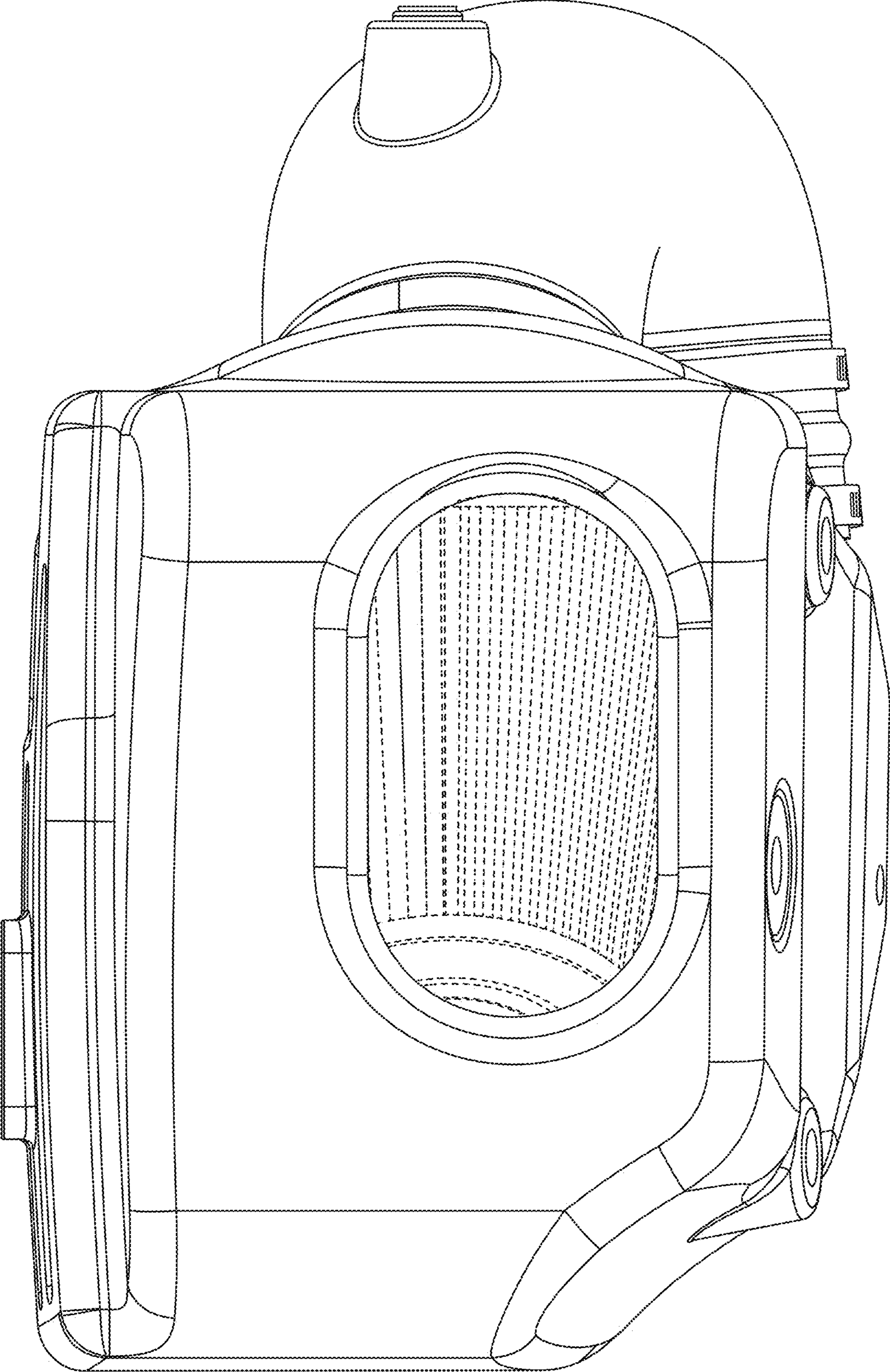


FIG. 5

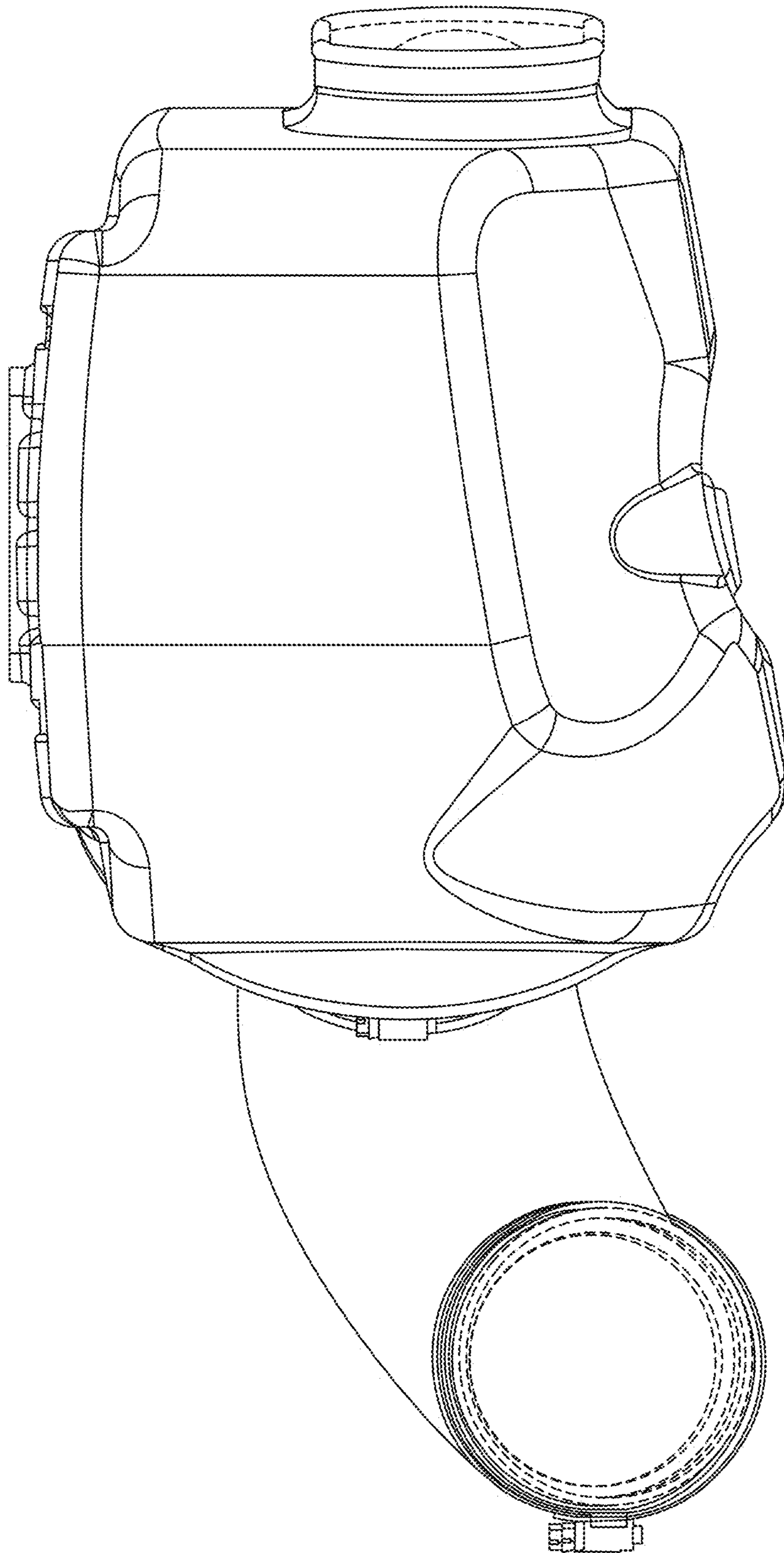


FIG. 6

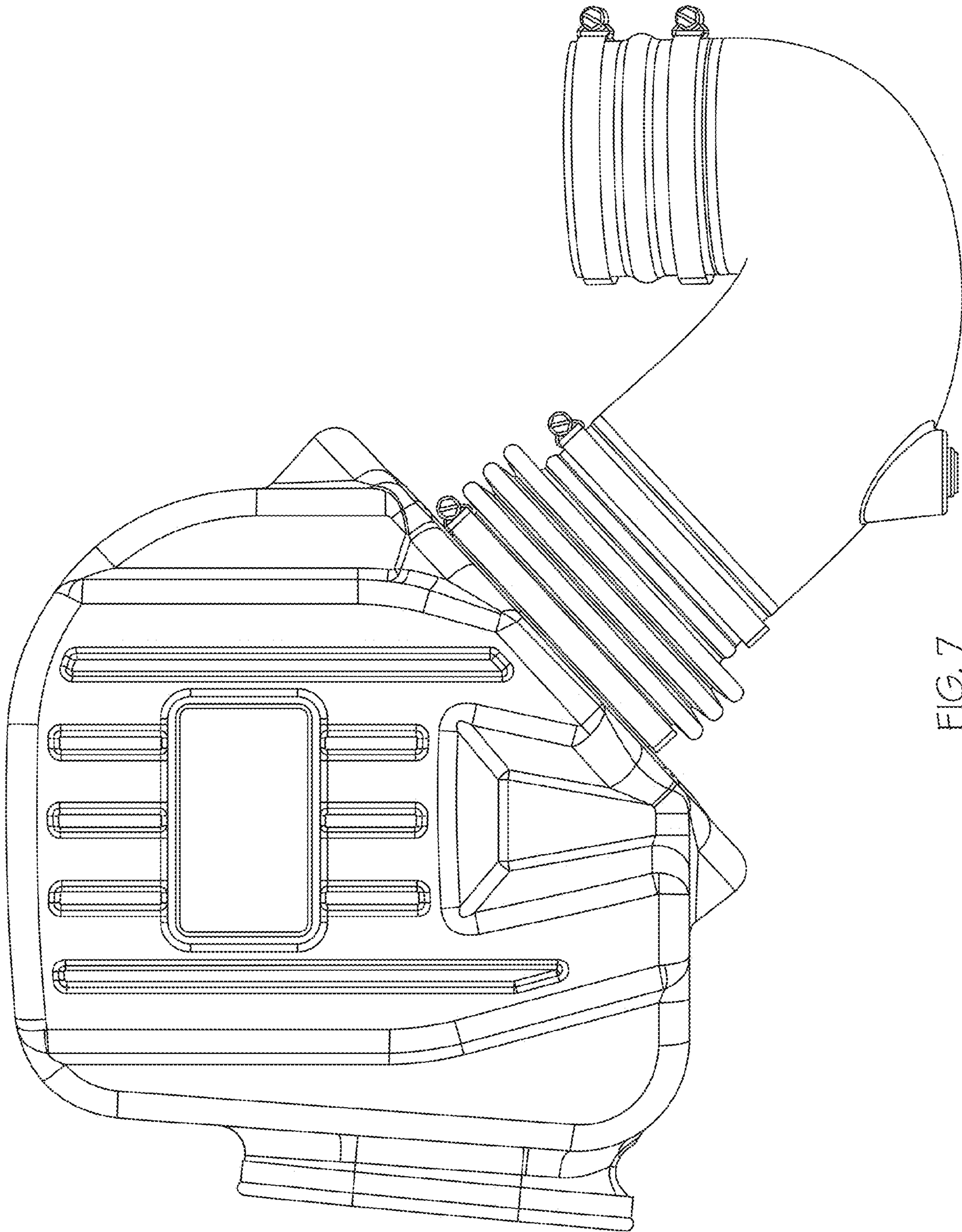


FIG. 7

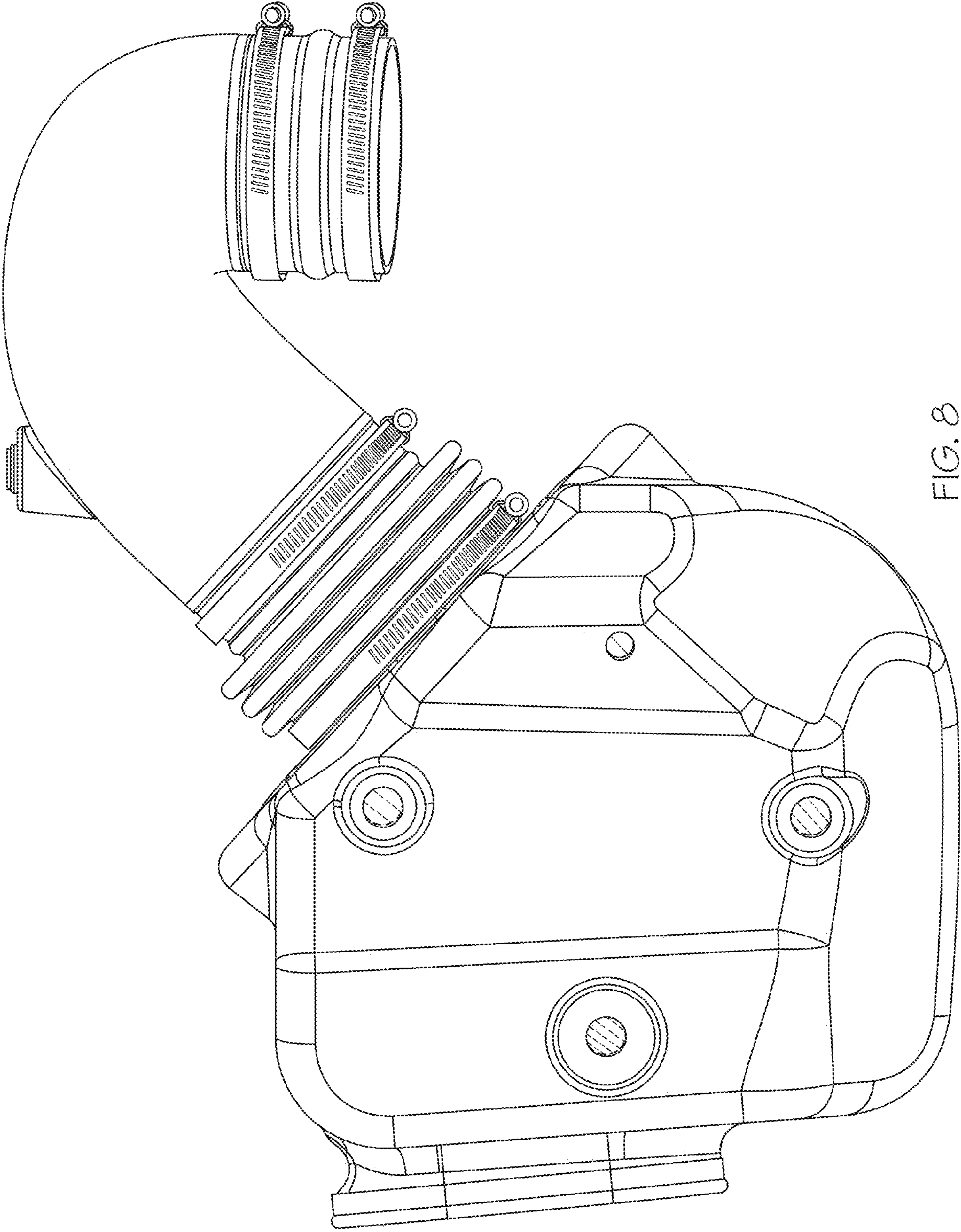


FIG. 8