



US00D899459S

(12) **United States Design Patent** (10) **Patent No.:** **US D899,459 S**
Wei (45) **Date of Patent:** **** Oct. 20, 2020**

(54) **INTAKE MANIFOLD**

FOREIGN PATENT DOCUMENTS

(71) Applicant: **DeepMotor, Inc.**, Rancho Cucamonga, CA (US)

CN 303479863 12/2015
CN 303727690 6/2016

(72) Inventor: **Yong Wei**, Rancho Cucamonga, CA (US)

OTHER PUBLICATIONS

(73) Assignee: **DEEPMOTOR, INC.**, Rancho Cucamong, CA (US)

Amazon search results for "intake manifold deepmotor" https://www.amazon.com/s?k=intake+manifold+deepmotor&ref=nb_sb_noss_2 (Year: 2020).*

(**) Term: **15 Years**

(Continued)

(21) Appl. No.: **29/691,760**

Primary Examiner — Ania Aman

(22) Filed: **May 19, 2019**

(74) *Attorney, Agent, or Firm* — Loza & Loza, LLP; Heidi L. Eisenhut

(51) **LOC (12) Cl.** **15-01**

(52) **U.S. Cl.**
USPC **D15/5**

(58) **Field of Classification Search**
USPC D15/1-5

CPC F02M 35/10091; F02M 35/10222; F02M 35/10295; F02M 35/10321; F02M 35/10262; F02M 35/104; F02M 35/10354; F02M 35/116; F02M 35/10052; F02M 35/10078; F02M 35/112; F02M 35/10085; F02M 31/00; F02M 31/04; F02M 31/042; F02M 31/045; F02M 31/047; F02M 31/093; F02M 35/10144; F02M 35/10039; F02M 35/10347; F02M 35/10334

See application file for complete search history.

(56) **References Cited**

U.S. PATENT DOCUMENTS

4,805,564 A * 2/1989 Hudson, Jr. F02M 35/10118
123/184.42
D364,628 S 11/1995 Haller
5,494,011 A 2/1996 Haller
D517,567 S * 3/2006 Teeter D15/5
7,086,365 B1 * 8/2006 Teeter F02M 35/10098
123/184.21

(Continued)

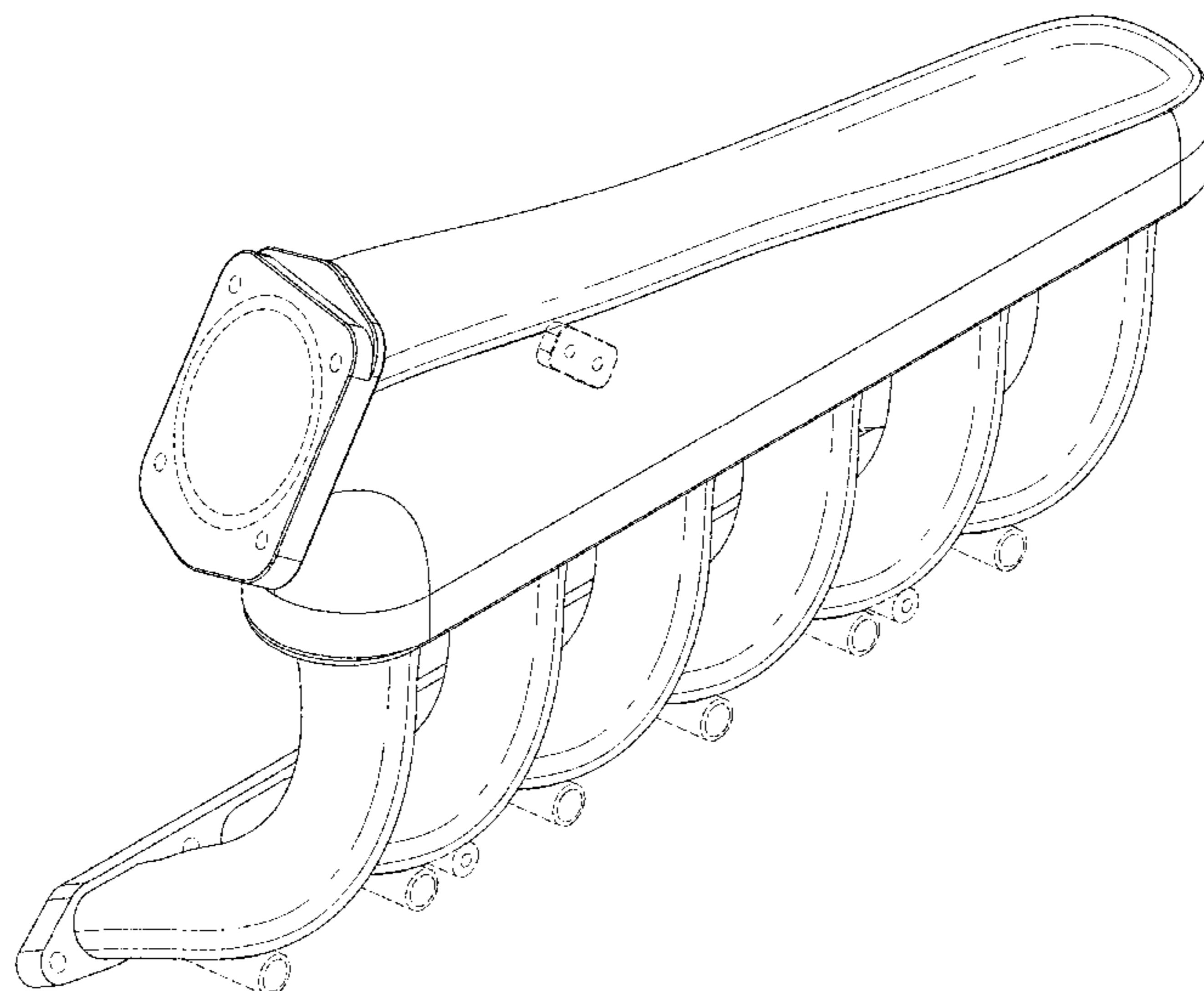
(57) **CLAIM**

The ornamental design for an intake manifold, as shown and described.

DESCRIPTION

FIG. 1 is a front, right, top perspective view of an intake manifold;
FIG. 2 is a rear, left, bottom perspective view of the intake manifold of FIG. 1;
FIG. 3 is a right side elevation view of the intake manifold of FIG. 1;
FIG. 4 is a left side elevation view of the intake manifold of FIG. 1;
FIG. 5 is a front elevation view of the intake manifold of FIG. 1;
FIG. 6 is a rear elevation view of the intake manifold of FIG. 1;
FIG. 7 is a top plan view of the intake manifold of FIG. 1; and,
FIG. 8 is a bottom plan view of the intake manifold of FIG. 1.
The broken lines show features of the intake manifold that form no part of the claimed design.

1 Claim, 8 Drawing Sheets



(56)

References Cited

U.S. PATENT DOCUMENTS

7,387,099 B2 * 6/2008 Brachos F02M 35/10078
 123/184.24
 7,552,586 B1 * 6/2009 White F01N 3/08
 440/89 B
 D654,094 S 2/2012 Dralle
 8,122,864 B2 2/2012 Randall et al.
 8,220,430 B2 7/2012 Gupta
 D673,977 S * 1/2013 Hsu D15/5
 D673,978 S * 1/2013 Hsu D15/5
 D673,979 S 1/2013 Finnican
 D674,408 S * 1/2013 Hsu D15/5
 D677,699 S 3/2013 Finnican
 D677,700 S * 3/2013 Hsu D15/5
 D680,132 S 4/2013 Finnican
 D737,862 S 9/2015 Finnican
 9,273,653 B2 3/2016 Wilson
 D765,142 S * 8/2016 Hunter D15/5
 9,617,957 B2 4/2017 Shinkai et al.
 D788,173 S * 5/2017 Hsu D15/5
 D802,628 S 11/2017 Fischetto
 9,926,894 B2 * 3/2018 Wilson F02M 35/104
 D814,523 S 4/2018 Vaninetti et al.
 D838,292 S * 1/2019 Hummel D15/5

2006/0254552 A1 * 11/2006 Brachos F02M 35/10078
 123/184.46
 2010/0294226 A1 * 11/2010 Gupta F02M 35/10078
 123/184.21
 2010/0294227 A1 * 11/2010 Magnan F02B 31/085
 123/184.55
 2011/0107996 A1 * 5/2011 Menin F02B 31/06
 123/184.61
 2014/0311142 A1 * 10/2014 Speidel F02B 33/44
 60/599
 2015/0247477 A1 * 9/2015 Wilson F02M 35/104
 123/184.47
 2016/0230510 A1 * 8/2016 Micken F04B 53/16
 2017/0067424 A1 * 3/2017 Krogdahl F02M 35/116
 2020/0049111 A1 * 2/2020 Enami F02M 35/116

OTHER PUBLICATIONS

Ebay List of items sold by user name deepmo_64 [https://www.ebay.com/sch/deepmo_64/m.html?_nkw=&_armrs=1&_from=&_ipg=200&rt=\(Year:2020\).](https://www.ebay.com/sch/deepmo_64/m.html?_nkw=&_armrs=1&_from=&_ipg=200&rt=(Year:2020).)*

Amazon BMW M50 M52 Billet IntakeManifold w/ Fuel Rail kit + Throttle [https://www.amazon.com/Billet-Intake-Manifold-Fuel-Throttle/dp/B086841WTN/ref=sr_1_\(Year:2020\).](https://www.amazon.com/Billet-Intake-Manifold-Fuel-Throttle/dp/B086841WTN/ref=sr_1_(Year:2020).)*

* cited by examiner

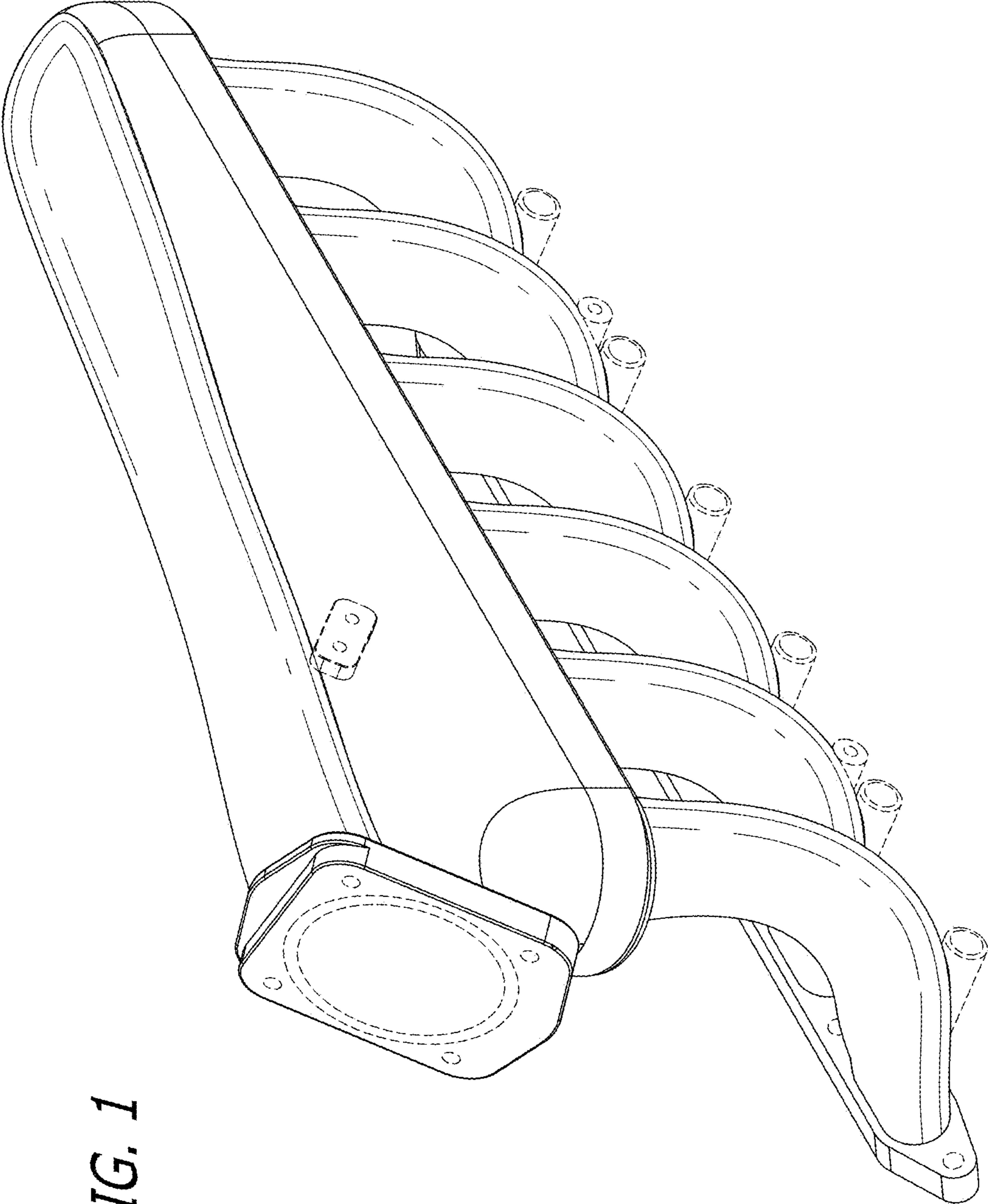


FIG. 1

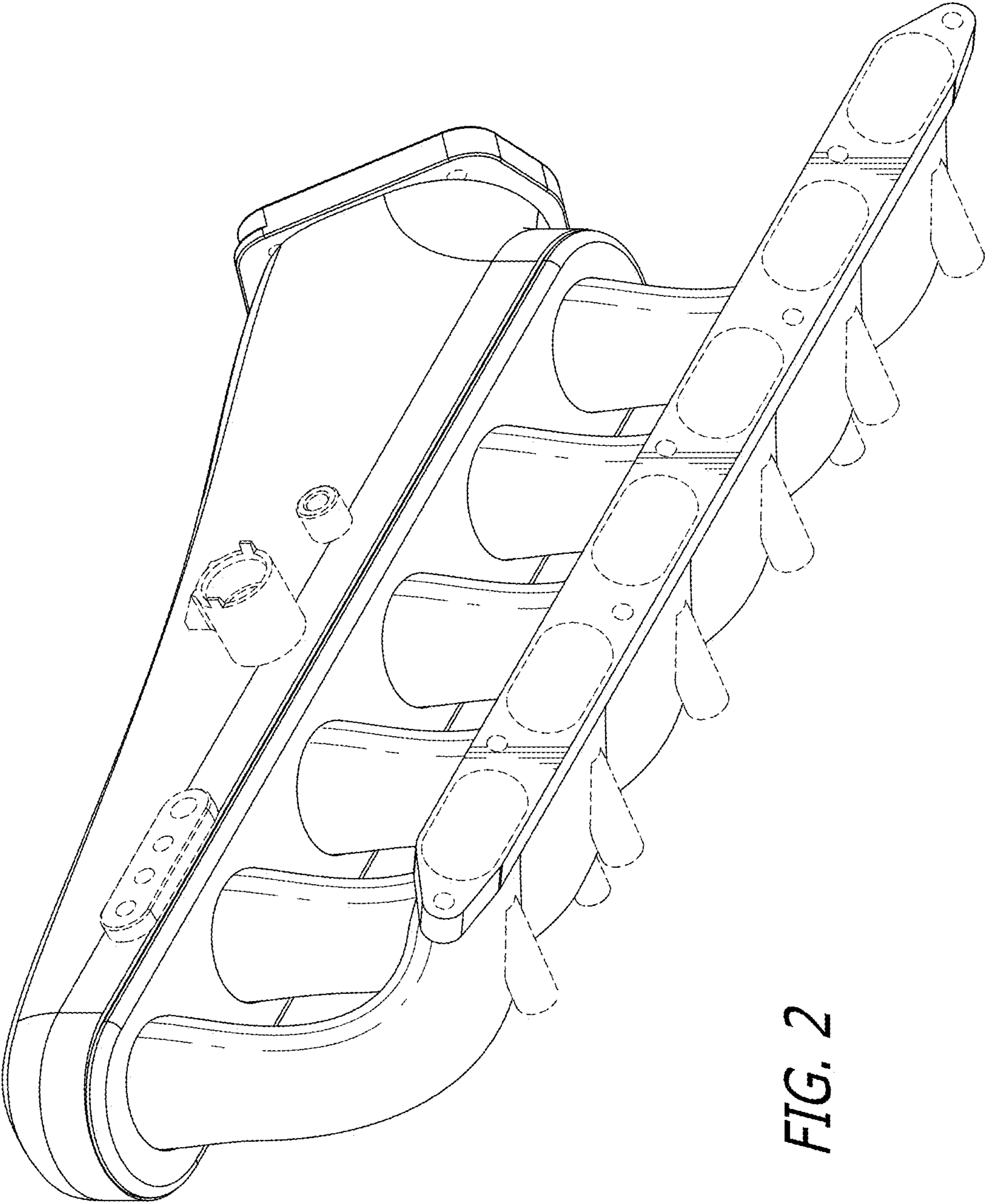
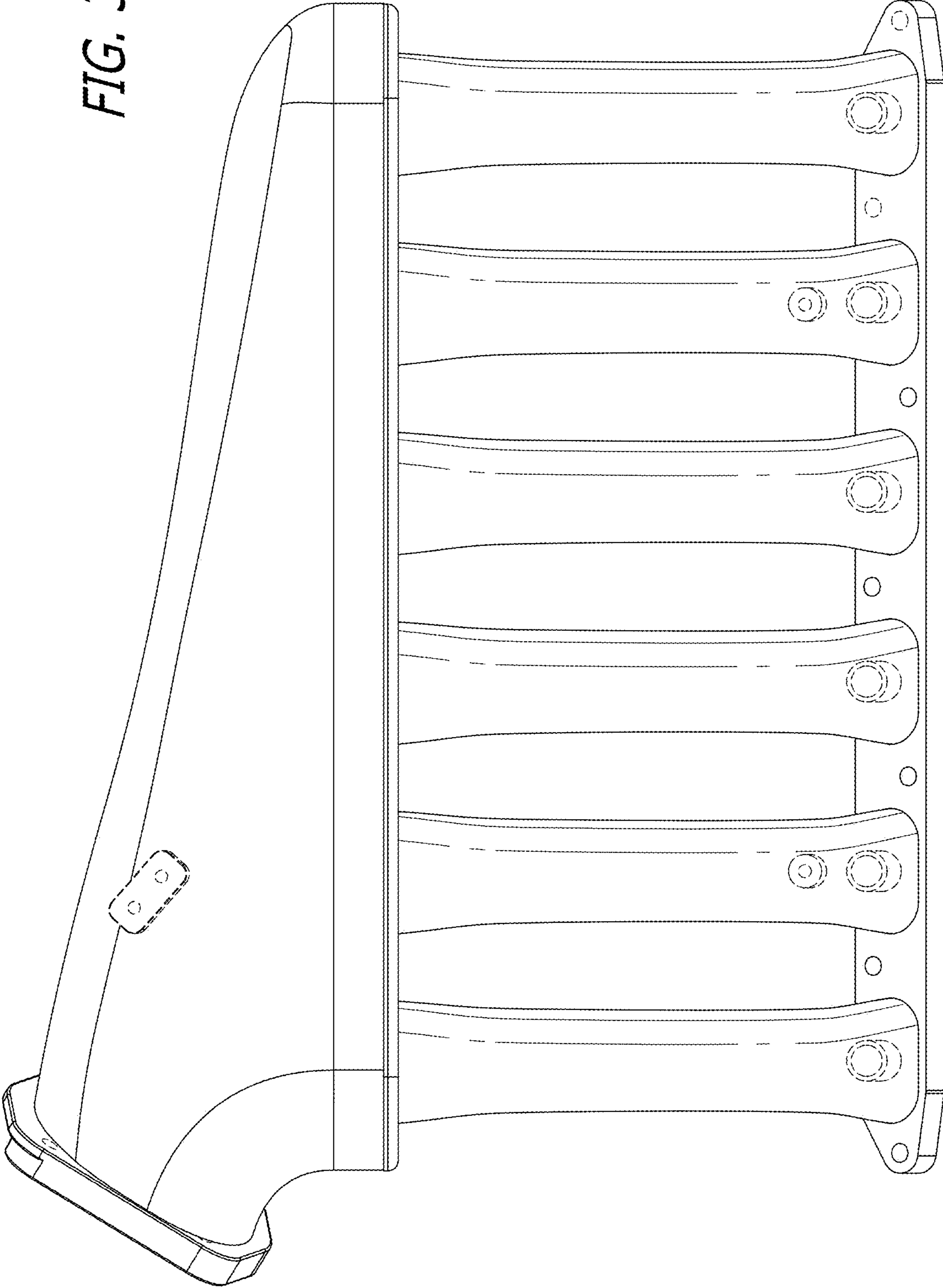


FIG. 2

FIG. 3



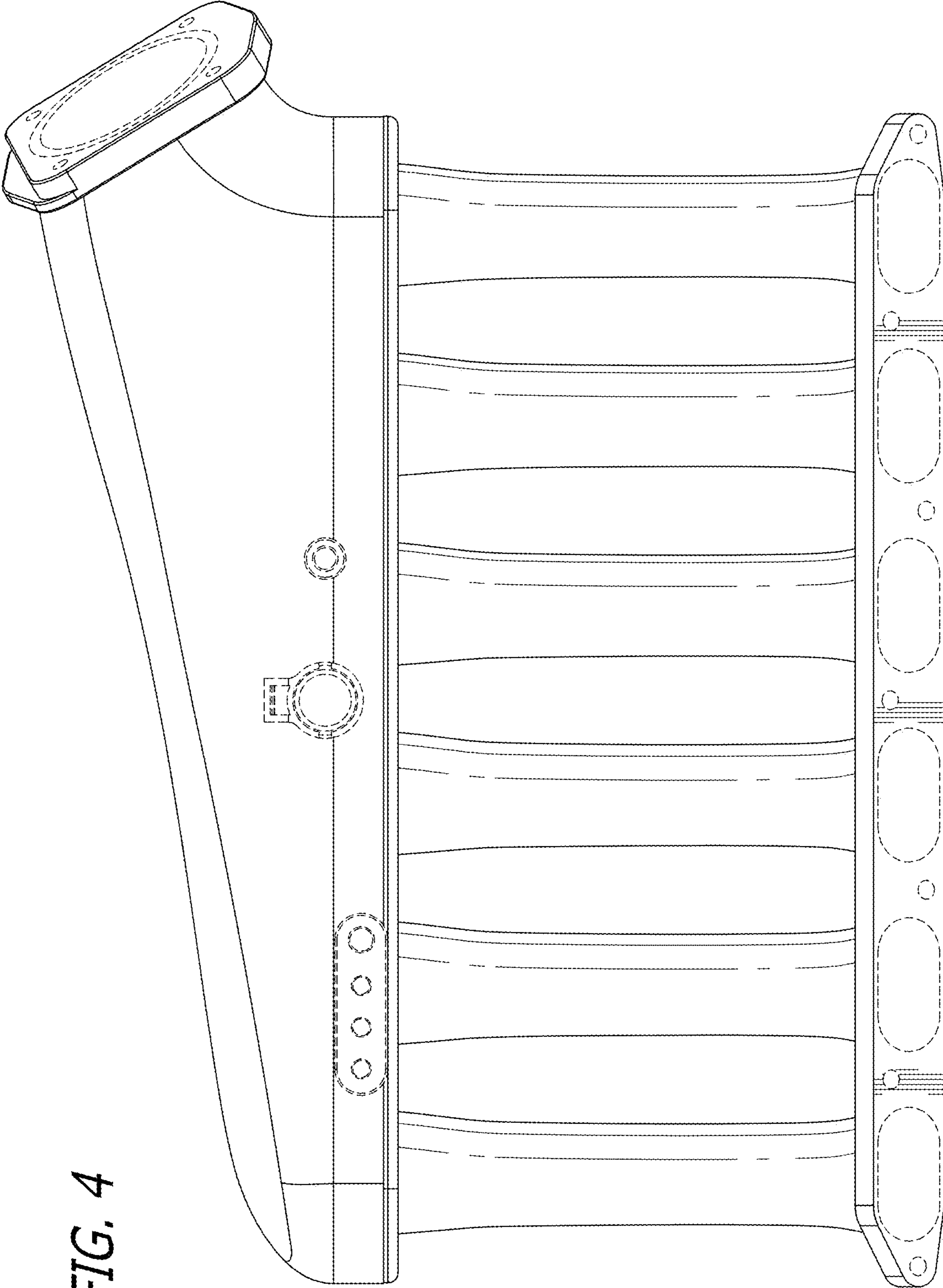


FIG. 4

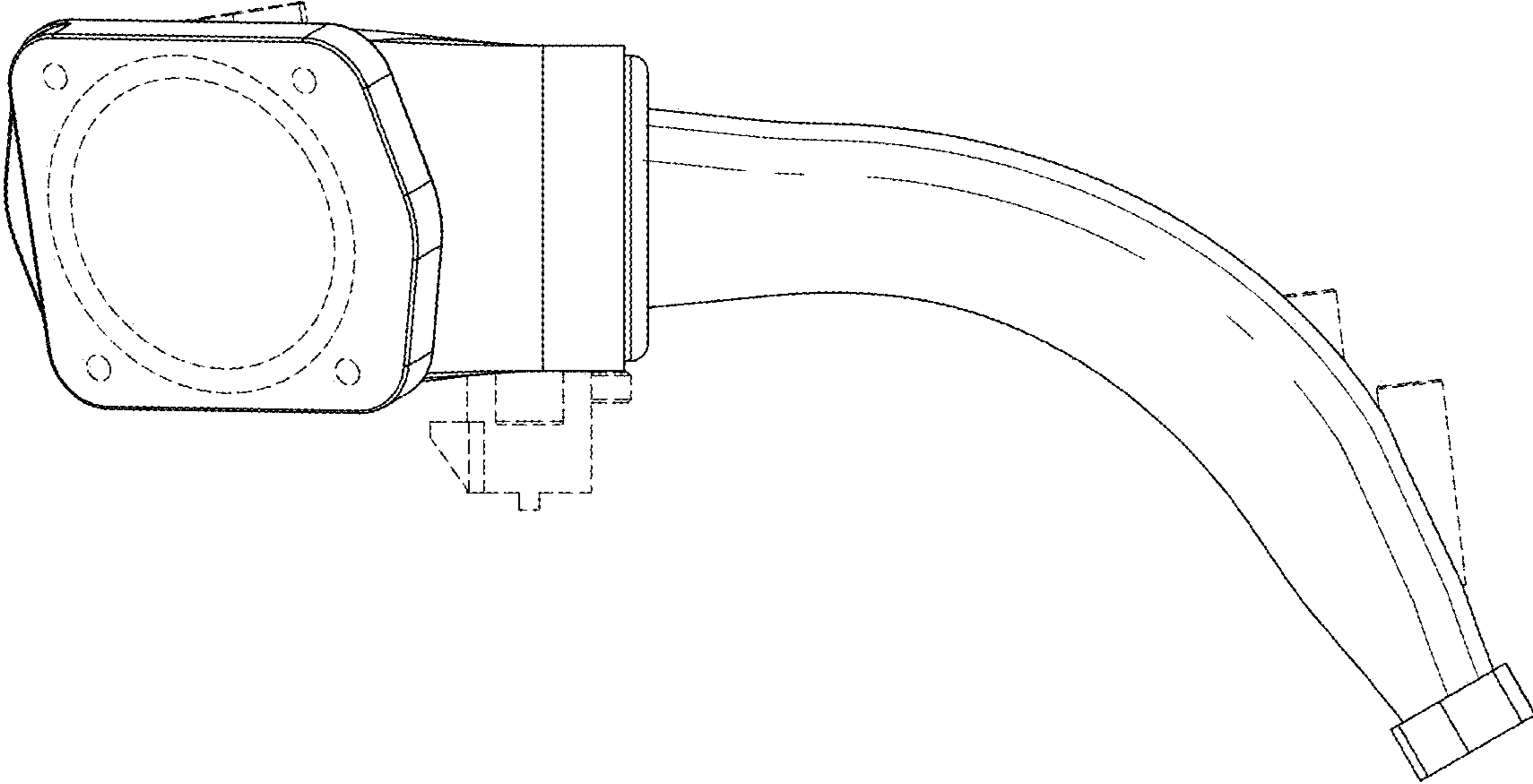
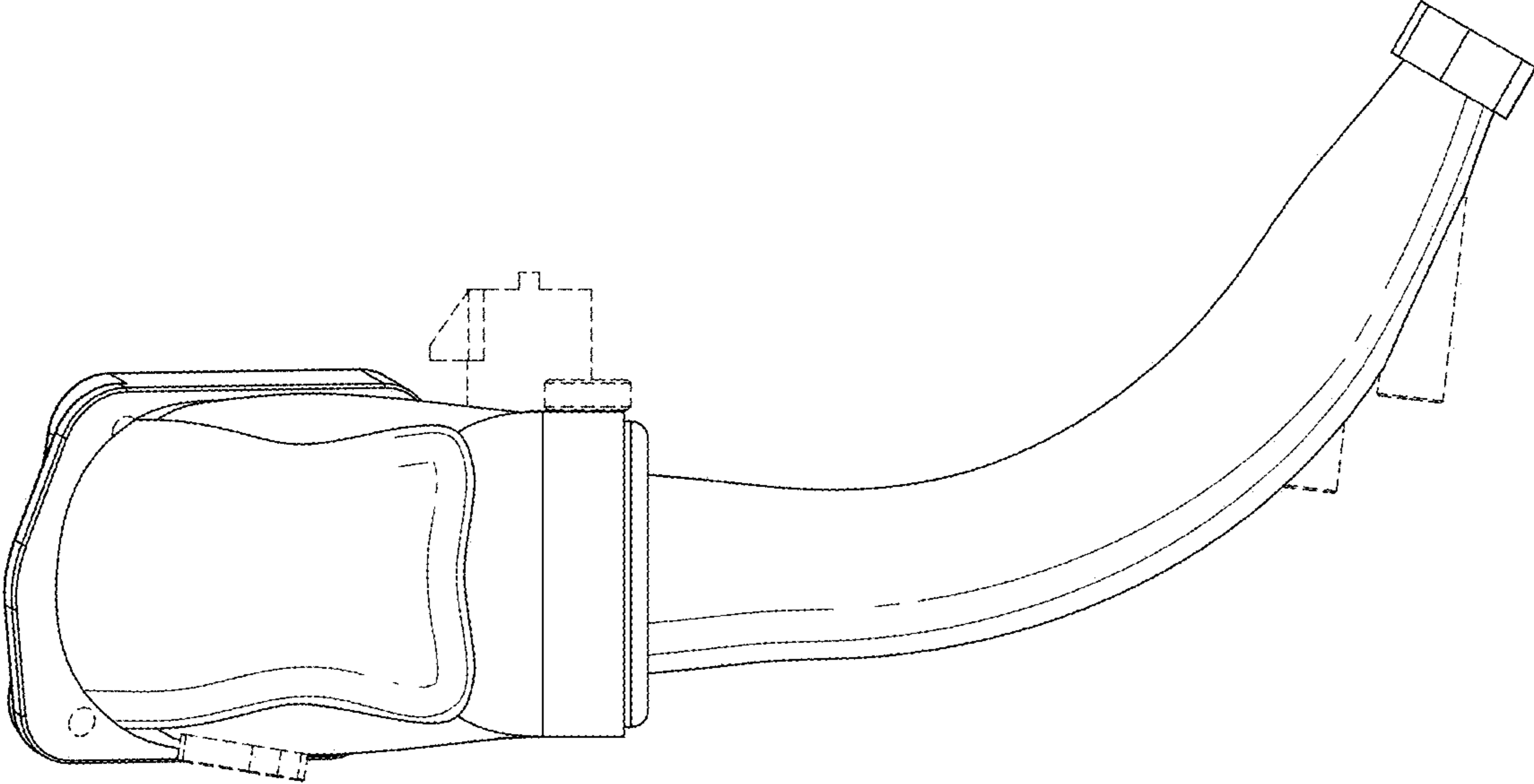


FIG. 5

FIG. 6



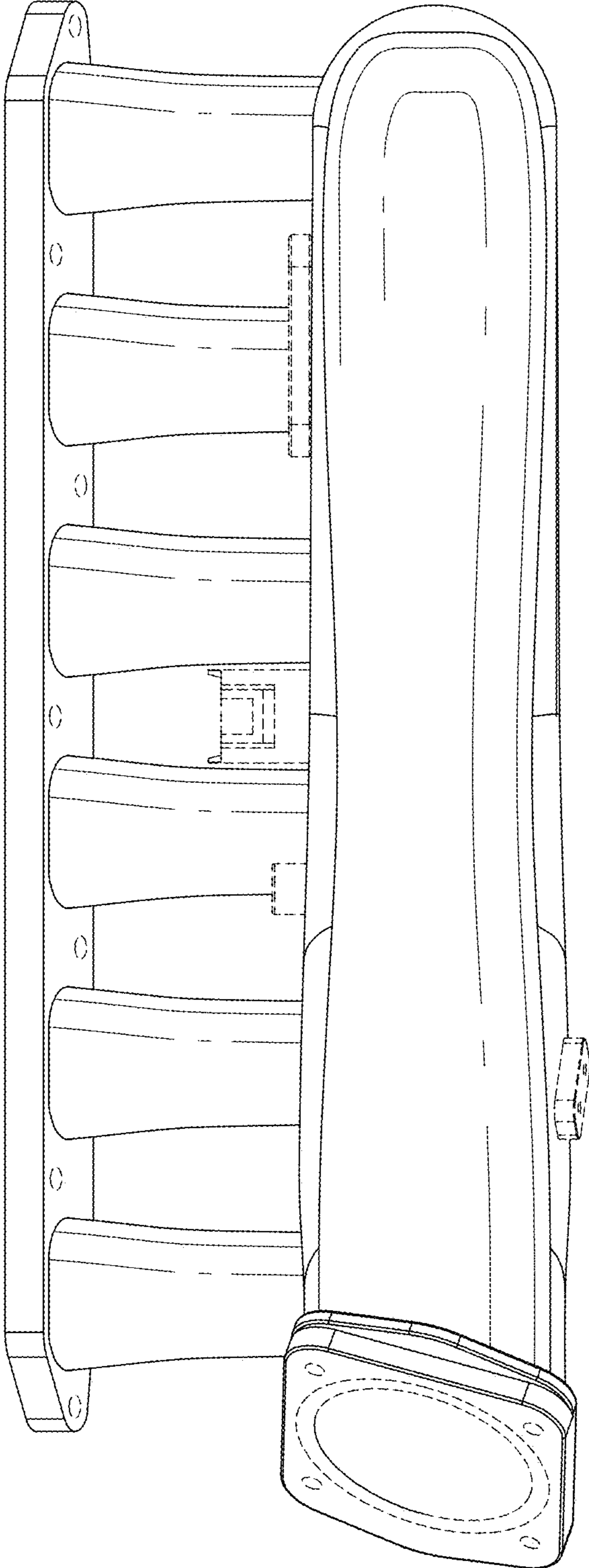


FIG. 7

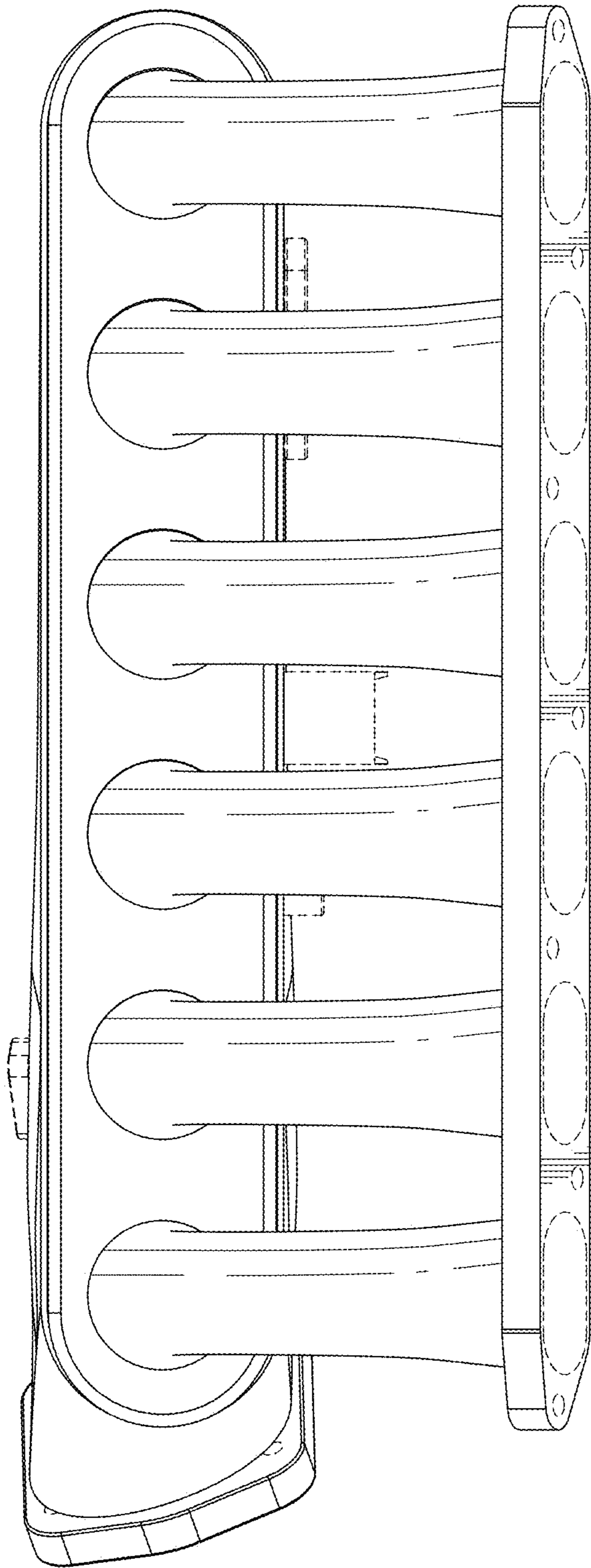


FIG. 8