

US00D899437S

(12) **United States Design Patent**
Carbonell et al.

(10) **Patent No.:** **US D899,437 S**

(45) **Date of Patent:** **** Oct. 20, 2020**

(54) **DISPLAY SCREEN, OR PORTION THEREOF, HAVING A GRAPHICAL USER INTERFACE**

D840,415 S * 2/2019 Yoon D14/485
D840,421 S * 2/2019 Chalker H04M 3/5183
D14/485

(71) Applicant: **VMware, Inc.**, Palo Alto, CA (US)

D843,392 S * 3/2019 Timmer D14/485
(Continued)

(72) Inventors: **Carlos Carbonell**, Atlanta, GA (US);
Jason Bedient, Palo Alto, CA (US);
Binjie Sun, Atlanta, GA (US)

OTHER PUBLICATIONS

(73) Assignee: **VMWARE, INC.**, Palo Alto, CA (US)

Young, Nancy. "30 Vivid Dashboard UI Designs for Your Inspiration." Onextrapixel, published Mar. 6, 2014 (Retrieved from the Internet Jun. 12, 2020). Internet URL: <https://onextrapixel.com/30-vivid-dashboard-ui-designs-for-your-inspiration/> (Year: 2014).*

(**) Term: **15 Years**

(Continued)

(21) Appl. No.: **29/665,656**

(22) Filed: **Oct. 5, 2018**

Primary Examiner — Jack Reickel

Assistant Examiner — Rachel A Voorhies

(51) **LOC (12) Cl.** **14-04**

(74) *Attorney, Agent, or Firm* — Thomas | Horstemeyer, LLP

(52) **U.S. Cl.**

USPC **D14/485**

(58) **Field of Classification Search**

USPC D14/485–495

CPC G06F 3/048

See application file for complete search history.

(57) **CLAIM**

The ornamental design for a display screen, or portion thereof, having a graphical user interface, as shown and described.

(56) **References Cited**

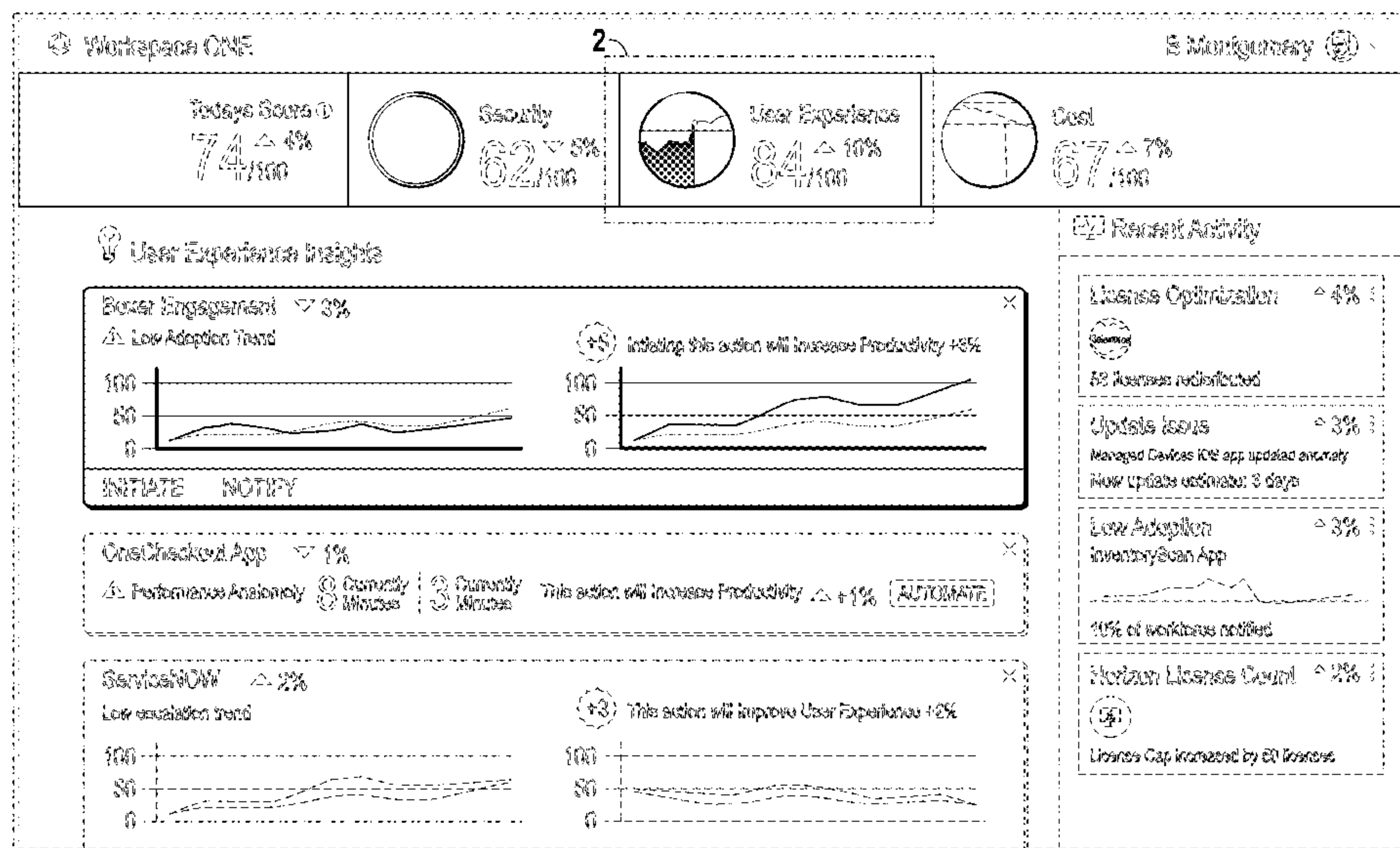
U.S. PATENT DOCUMENTS

D748,126 S *	1/2016	Sarukkai	D14/486
D756,372 S *	5/2016	Bertnick	D14/485
D766,916 S *	9/2016	Bertnick	D14/485
D773,478 S *	12/2016	Wesley	D14/485
D775,635 S *	1/2017	Raji	D14/485
D778,927 S *	2/2017	Bertnick	D14/485
D778,928 S *	2/2017	Bertnick	D14/485
D794,047 S *	8/2017	Gandhi	D14/485
D795,274 S *	8/2017	Rhodes	D14/485
D797,797 S *	9/2017	Gandhi	D14/490
D798,312 S *	9/2017	Tsujimura	D14/485
D804,522 S *	12/2017	Sachtleben	D14/488
D815,119 S *	4/2018	Chalker	D14/485
D816,689 S *	5/2018	Chalker	D14/485
D819,071 S *	5/2018	Rathke	D14/487
D824,416 S *	7/2018	Memmelaaar, Jr.	D14/488

DESCRIPTION

FIG. 1 is a front view of a display screen, or portion thereof, having a graphical user interface showing a first embodiment of the new design; and, FIG. 2 is an enlarged view of the callout region 2 of FIG. 1. The broken lines of even length showing the remainder of the display screen, or portion thereof, having a graphical user interface is for environmental purposes only and forms no part of the claimed design. The broken lines of uneven length labeled FIG. 2 in FIG. 1 indicate portions of the graphical user interface that are enlarged for magnification purposes in FIG. 2 and form no part of the claimed design.

1 Claim, 2 Drawing Sheets



(56)

References Cited

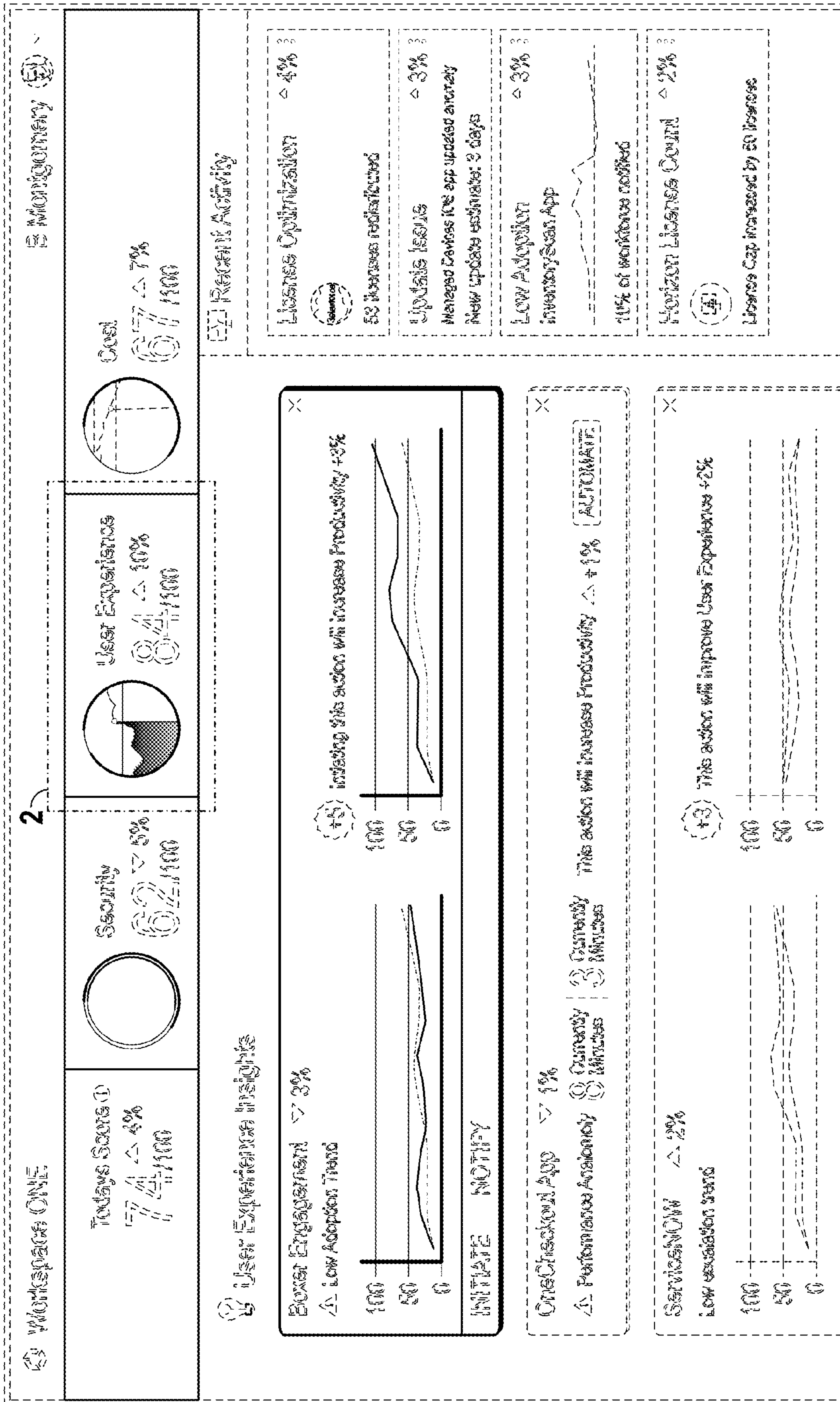
U.S. PATENT DOCUMENTS

D843,402	S *	3/2019	Casse	D14/486
D846,562	S *	4/2019	Sombreireiro	D14/485
D857,029	S *	8/2019	Raji	D14/485
D860,231	S *	9/2019	Hussain	D14/486
D864,224	S *	10/2019	Subrahmaniyan	D14/486
D866,576	S *	11/2019	Devlin	D14/486
D874,481	S *	2/2020	Kumar	D14/485
D874,492	S *	2/2020	Henderson	D14/486
2014/0233719	A1 *	8/2014	Vymenets	H04M 3/5183 379/265.03
2017/0063912	A1 *	3/2017	Muddu	G06F 3/0482
2018/0025309	A1 *	1/2018	Absher	G06Q 10/06311 705/7.14
2019/0004639	A1 *	1/2019	Fauklner	H04L 67/38
2019/0028492	A1 *	1/2019	Coleman	H04L 63/20

OTHER PUBLICATIONS

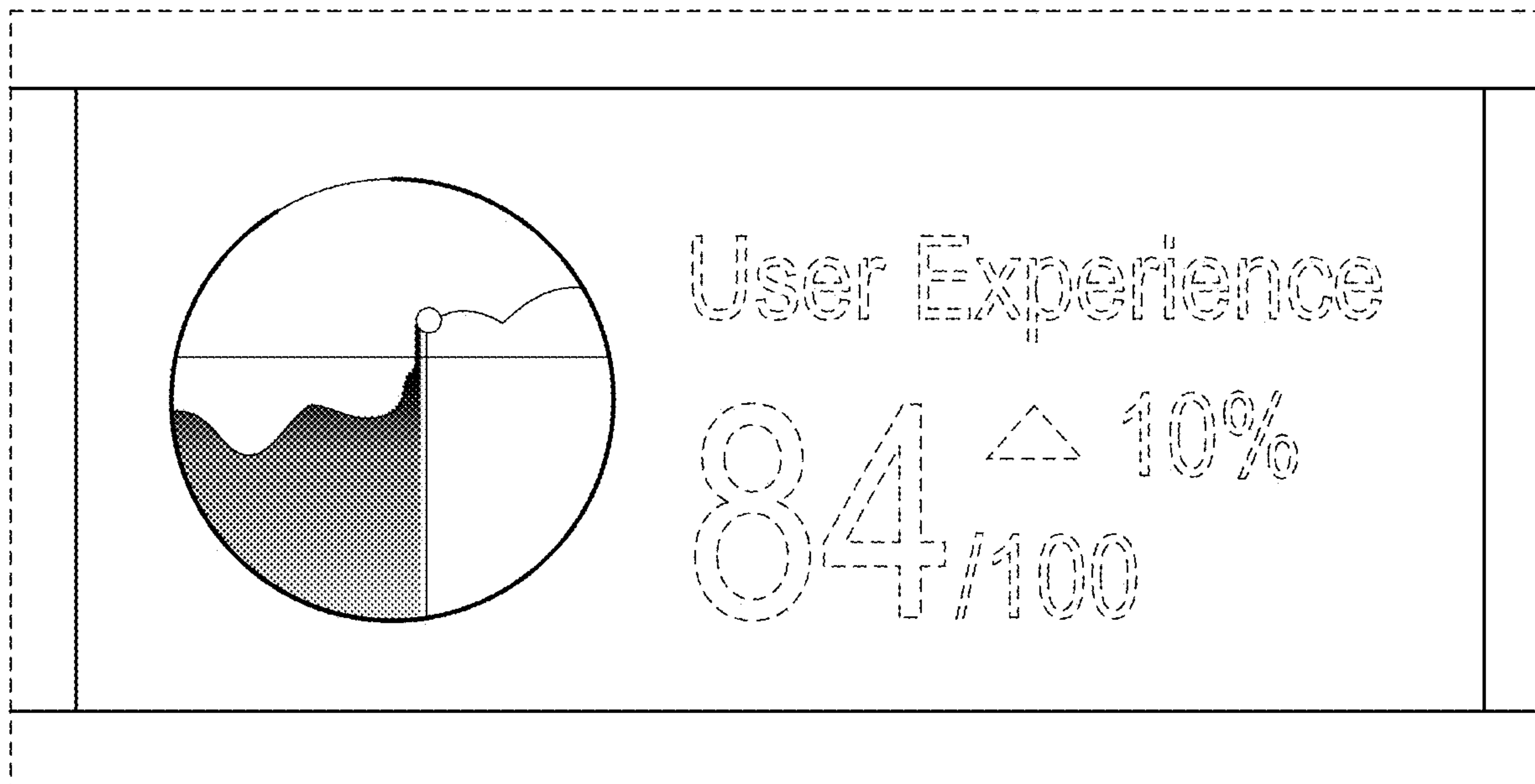
Wilson, Brant. "30 Flat Analytics Dashboard Charts & Graphs for Website UI Design." Bittbox, published Mar. 24, 2015 (Retrieved from the Internet Jun. 12, 2020). Internet URL: <<https://www.bittbox.com/culture/30-flat-analytics-ui-dashboards>> (Year: 2015).*

* cited by examiner



© 2018 VMWARE, INC.

FIG. 1



© 2018 VMWARE, INC.

FIG. 2