



US00D899431S

(12) **United States Design Patent** (10) **Patent No.:** **US D899,431 S**  
**Burns** (45) **Date of Patent:** **\*\* Oct. 20, 2020**

- (54) **ELECTRONIC DEVICE MOUNT**
- (71) Applicant: **Amazon Technologies, Inc.**, Seattle, WA (US)
- (72) Inventor: **Thomas Burns**, Boston, MA (US)
- (73) Assignee: **Amazon Technologies, Inc.**, Seattle, WA (US)
- (\*\*) Term: **15 Years**
- (21) Appl. No.: **29/728,141**
- (22) Filed: **Mar. 16, 2020**

**Related U.S. Application Data**

- (62) Division of application No. 29/661,159, filed on Aug. 24, 2018, now Pat. No. Des. 881,896.
- (51) **LOC (12) Cl.** ..... **14-99**
- (52) **U.S. Cl.**  
USPC ..... **D14/447; D14/253**
- (58) **Field of Classification Search**  
USPC ..... D14/250–254, 126, 129, 147, 217, 224, D14/224.1, 238.1, 299, 433, 434, 447, D14/451–452, 483; D12/400, 415–418, D12/420, 426.1, 114, 223; D16/237, 242, D16/245; D10/74; D3/218; D13/107, D13/108; D24/118, 127, 128, 187, 199, D24/227; D8/363, 373, 380; D6/553, D6/567  
CPC ..... B60R 11/00; B60R 11/02; B60R 11/0241; B60R 11/0252; B60R 2011/0003; B60R 2011/0005; B60R 2011/0008; H04M 1/04; H04B 1/3877; A45F 2200/0516; A45F 2200/0525; H05K 5/0204; F16M 13/02; F16M 13/022; F16M 11/04; F16M 11/041; F16M 11/14; F16M 11/22; H01F 7/0252; G03B 17/561

See application file for complete search history.

(56) **References Cited**

U.S. PATENT DOCUMENTS

D323,085	S	†	1/1992	Konkel	.....	248/158
D363,619	S	†	10/1995	Karnaze	.....	D6/672
D420,989	S	†	2/2000	Sandhu	.....	D14/447
D461,461	S	†	8/2002	Adamson	.....	D14/147
D483,016	S	†	12/2003	Ma	.....	D13/108
D485,234	S	†	1/2004	Katayama	.....	D13/108
D530,333	S	†	10/2006	Richter	.....	D14/447
D536,011	S	†	1/2007	Dayan	.....	D14/129
D536,016	S	*	1/2007	Dayan	.....	D14/126
D536,360	S	†	2/2007	Dayan	.....	D14/126
D592,205	S	†	5/2009	O'Brien	.....	D12/415
D592,206	S	†	5/2009	O'Brien	.....	D12/415

(Continued)

*Primary Examiner* — Jeffrey D Asch

*Assistant Examiner* — Rebekah A Caruso

(74) *Attorney, Agent, or Firm* — Lee & Hayes, P.C.

(57) **CLAIM**

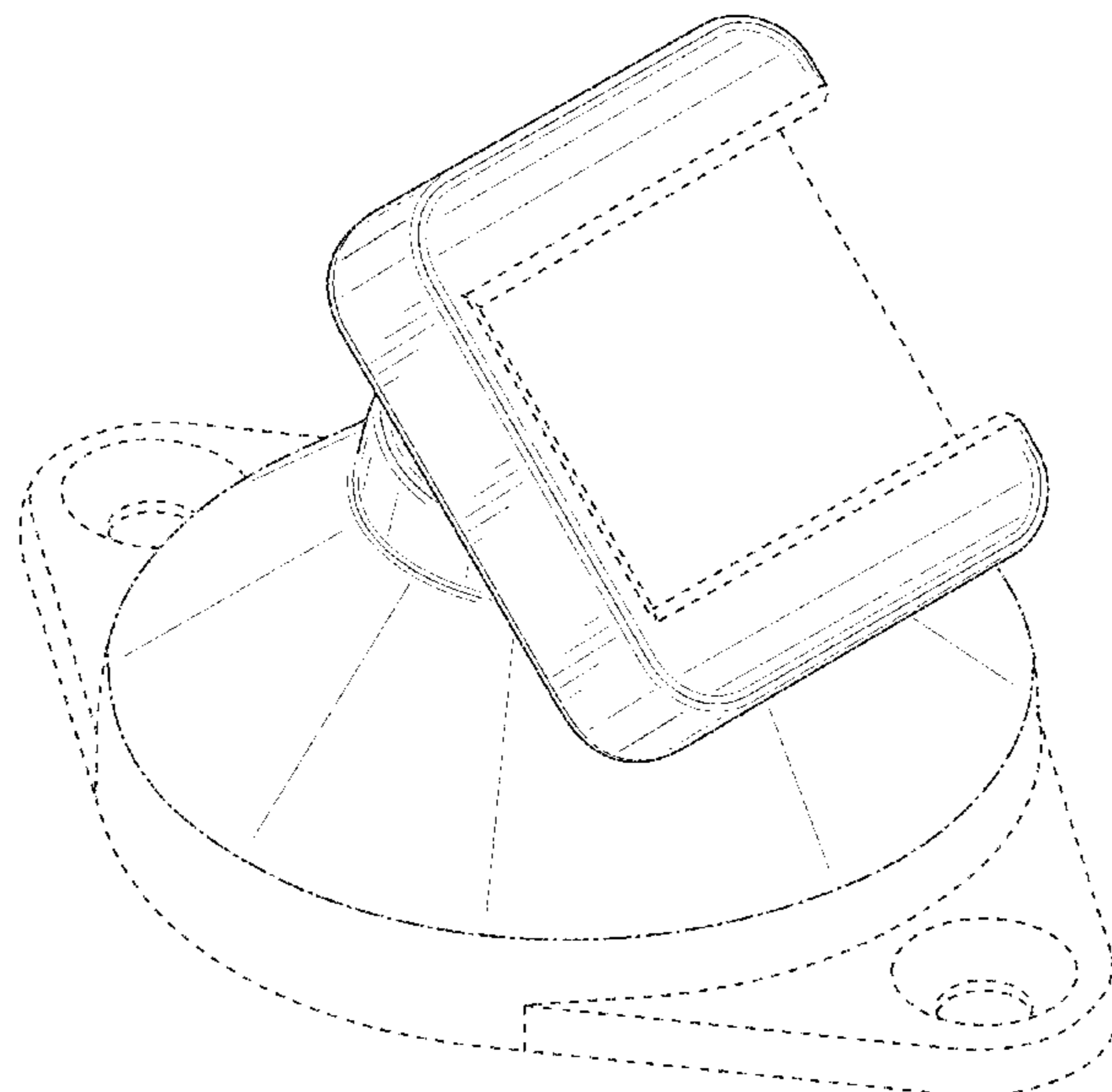
The ornamental design for an electronic device mount, as shown and described.

**DESCRIPTION**

FIG. 1 is a front, right, top perspective view of an electronic device mount;  
 FIG. 2 is a back, left, bottom perspective view thereof;  
 FIG. 3 is a front view thereof;  
 FIG. 4 is a back view thereof;  
 FIG. 5 is a left-side view thereof;  
 FIG. 6 is a right-side view thereof;  
 FIG. 7 is a top view thereof; and,  
 FIG. 8 is a bottom view thereof.

The dashed broken lines depict portions of the electronic device mount that form no part of the claimed design. The dot-dashed broken lines represent boundaries of the claimed electronic device mount and form no part of the claimed design.

**1 Claim, 8 Drawing Sheets**



(56)

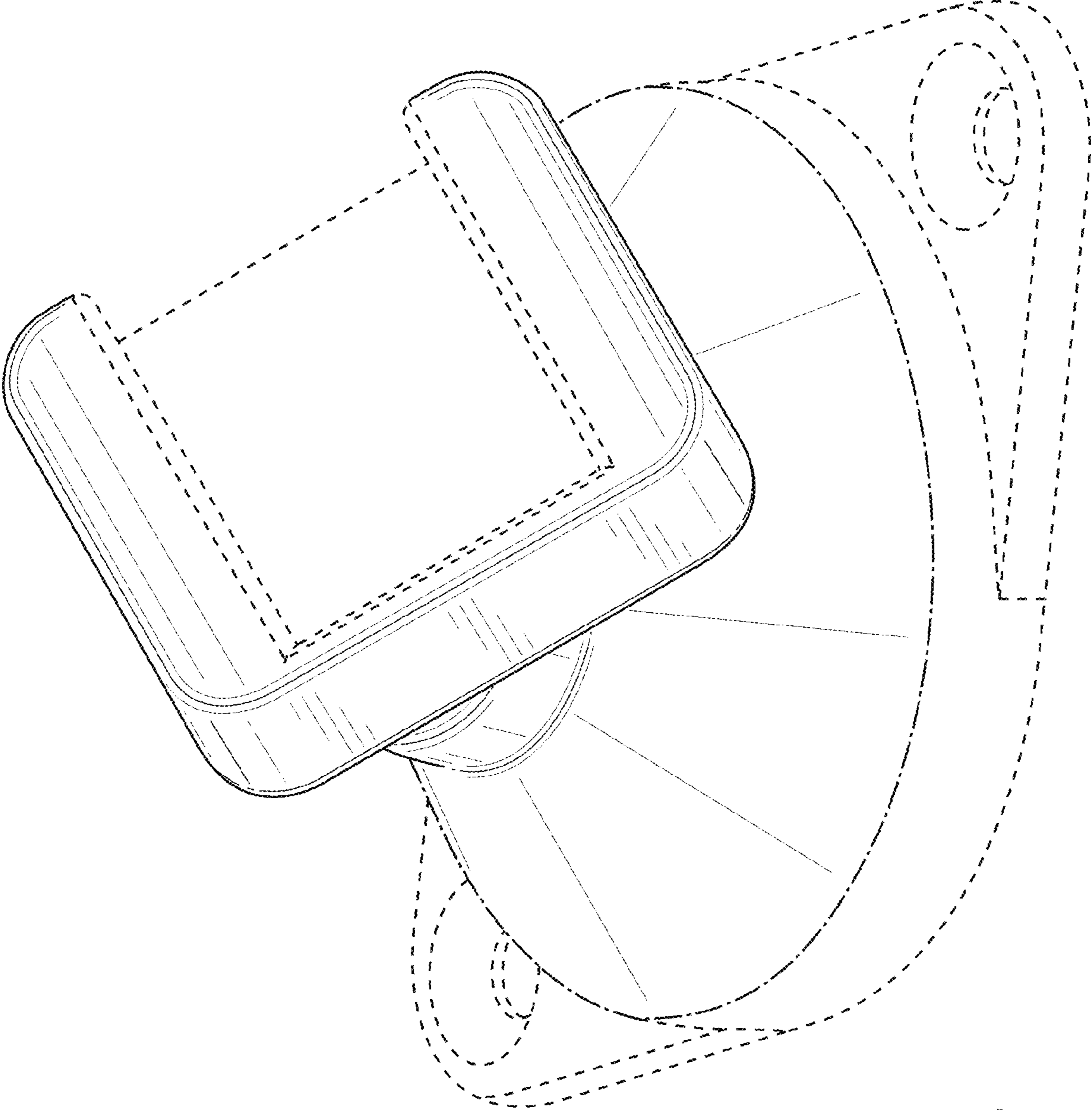
**References Cited**

U.S. PATENT DOCUMENTS

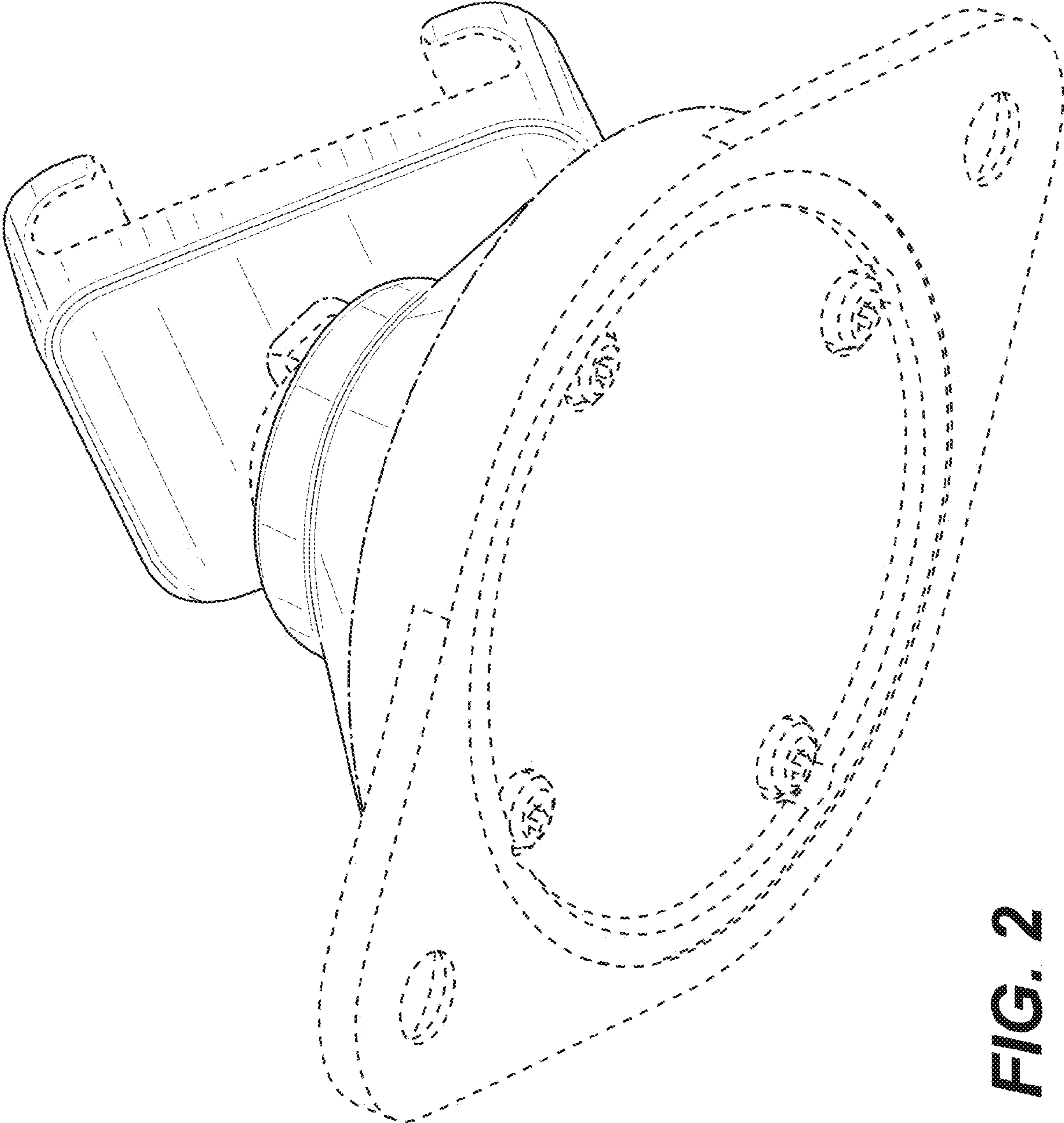
D638,406	S	‡	5/2011	Chiang	.....	D14/224
D654,119	S	‡	2/2012	Lin	.....	D14/434
8,333,353	B1	‡	12/2012	Silverman	.....	F16M 11/041
						24/331
D733,156	S	‡	6/2015	Choi	.....	D14/447
D749,080	S	*	2/2016	Su	.....	D14/447
9,541,957	B1	‡	1/2017	Liu	.....	G06F 1/1632
D778,713	S	‡	2/2017	McSweyn	.....	D12/415
9,948,837	B1	‡	4/2018	Gartrell	.....	B60R 11/04
D873,205	S	*	1/2020	MacNeil	.....	D12/415
D879,106	S	*	3/2020	Mecchella	.....	D14/447
D881,896	S	*	4/2020	Burns	.....	D14/447
D884,165	S	*	5/2020	deBock	.....	D24/128
2020/0130604	A1	*	4/2020	MacNeil	.....	B60R 11/0241
2020/0130605	A1	*	4/2020	MacNeil	.....	B60R 11/0241

\* cited by examiner

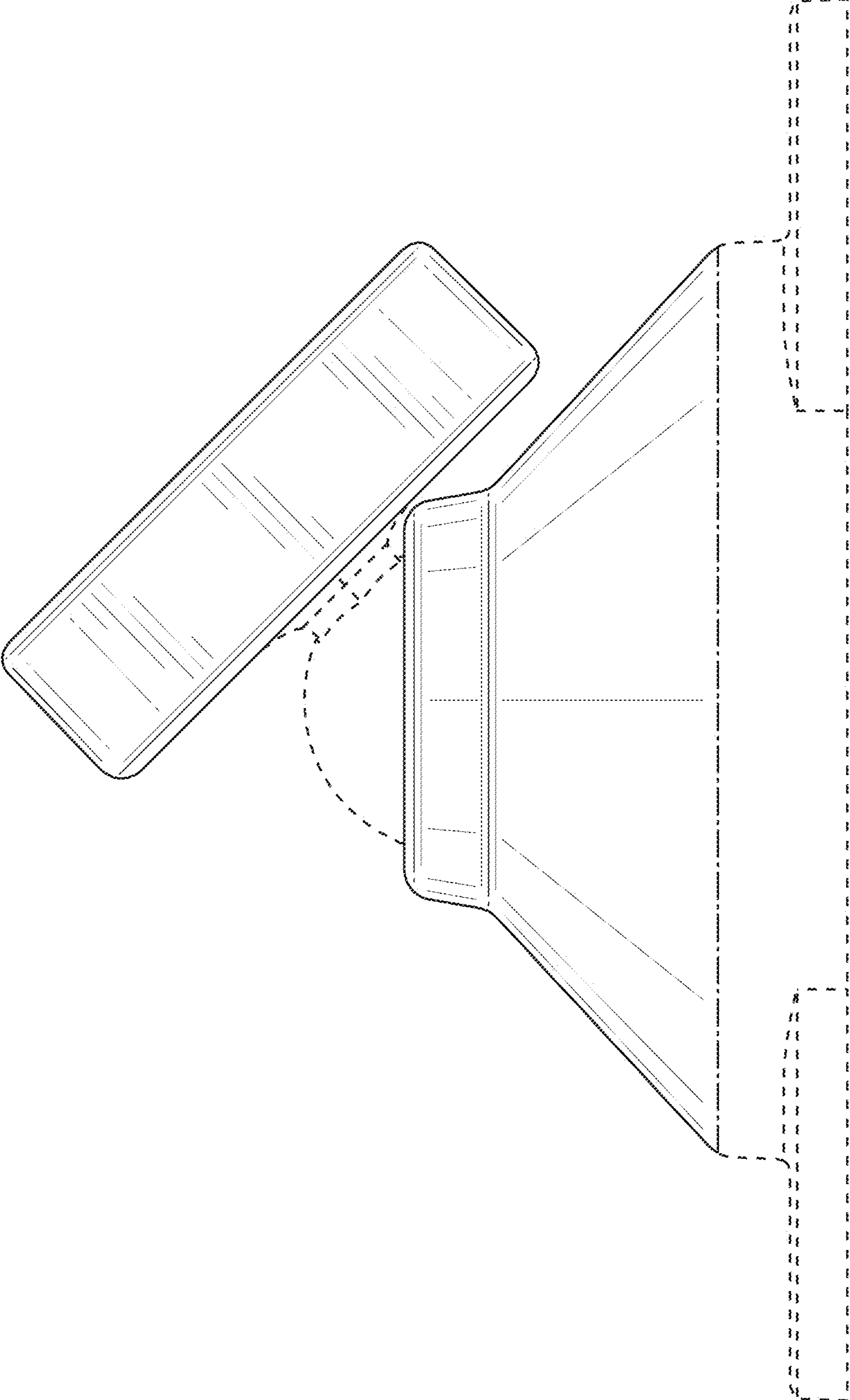
‡ imported from a related application



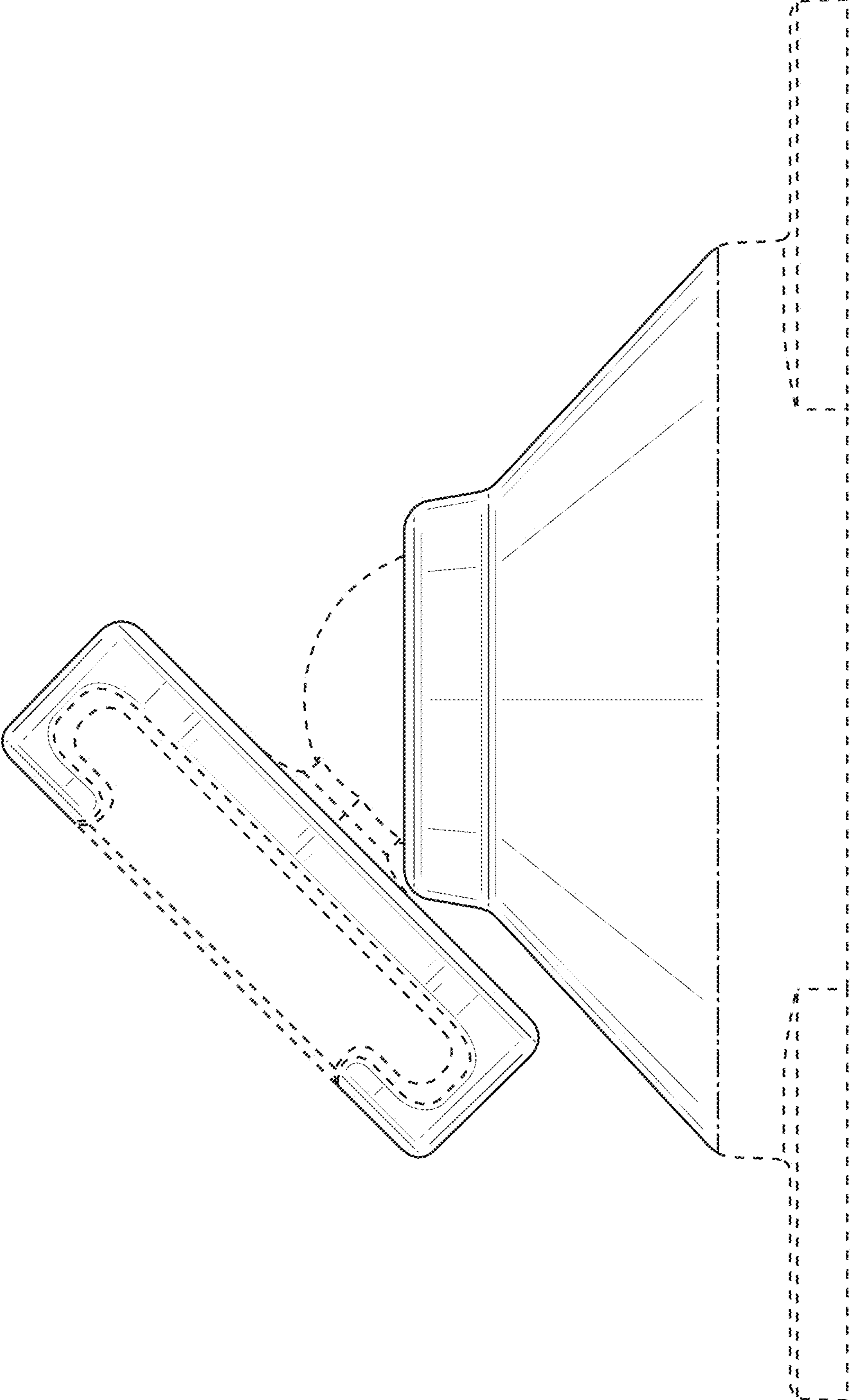
**FIG. 1**



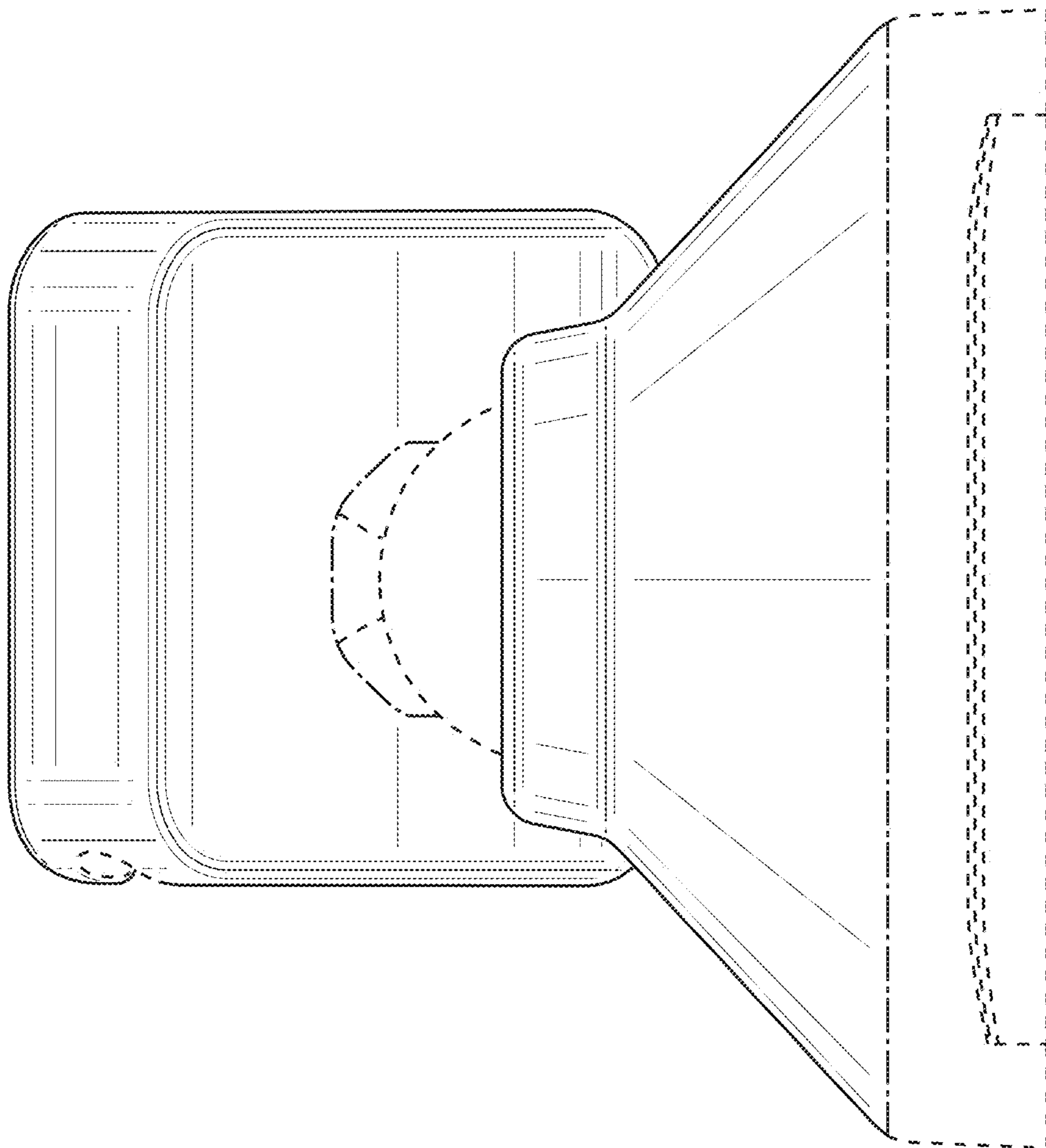
**FIG. 2**



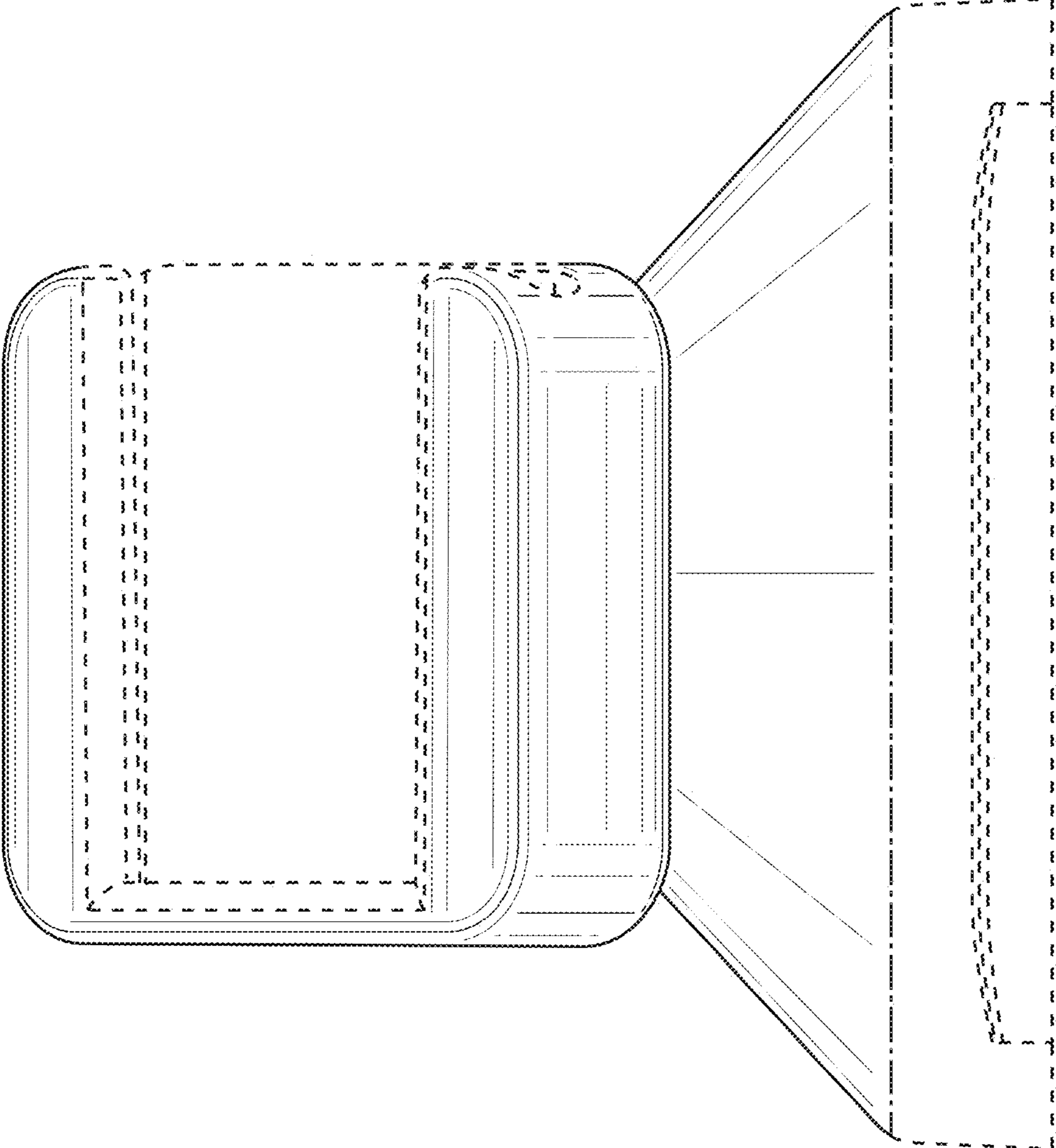
**FIG. 3**



**FIG. 4**

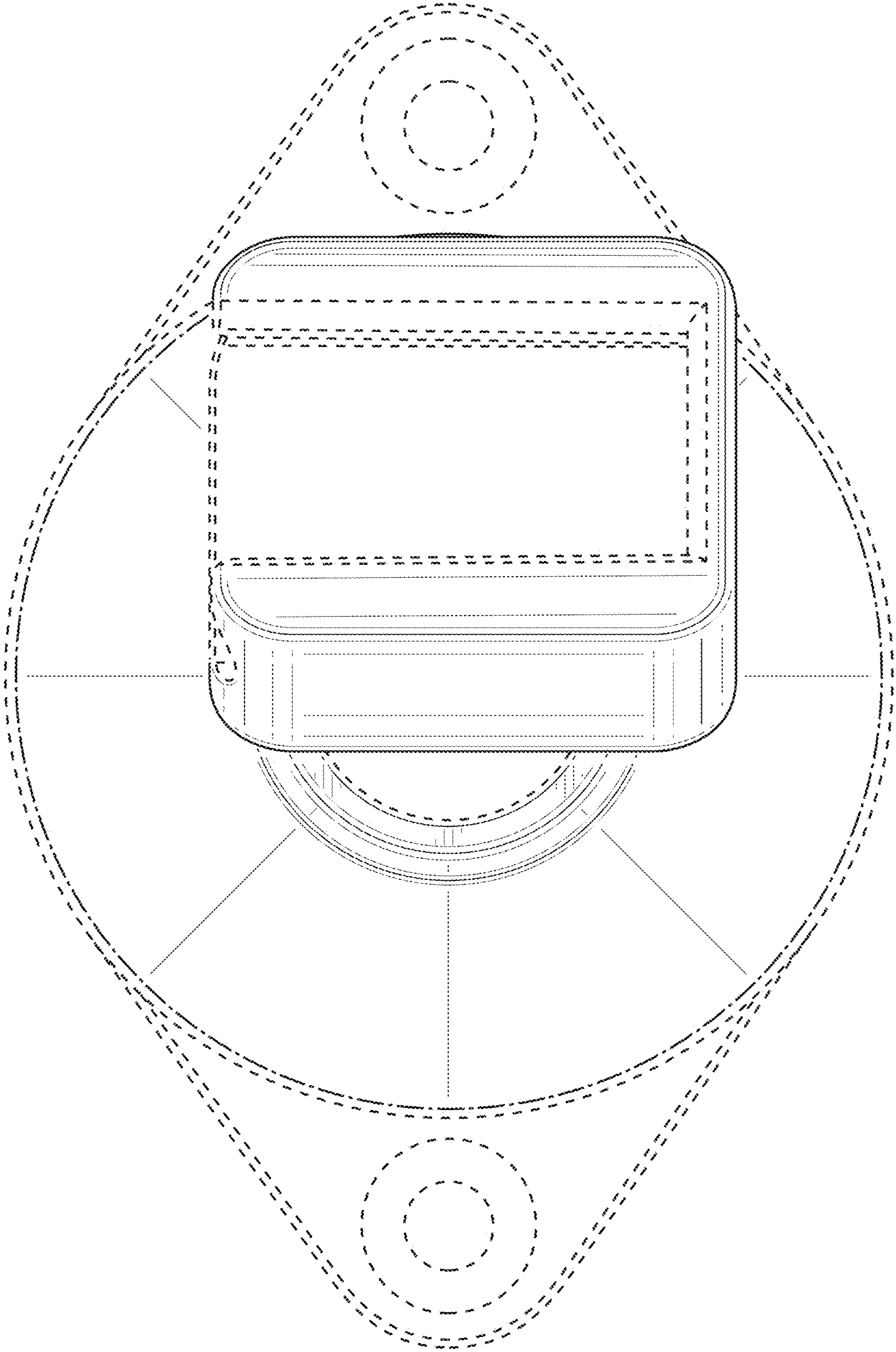


**FIG. 5**

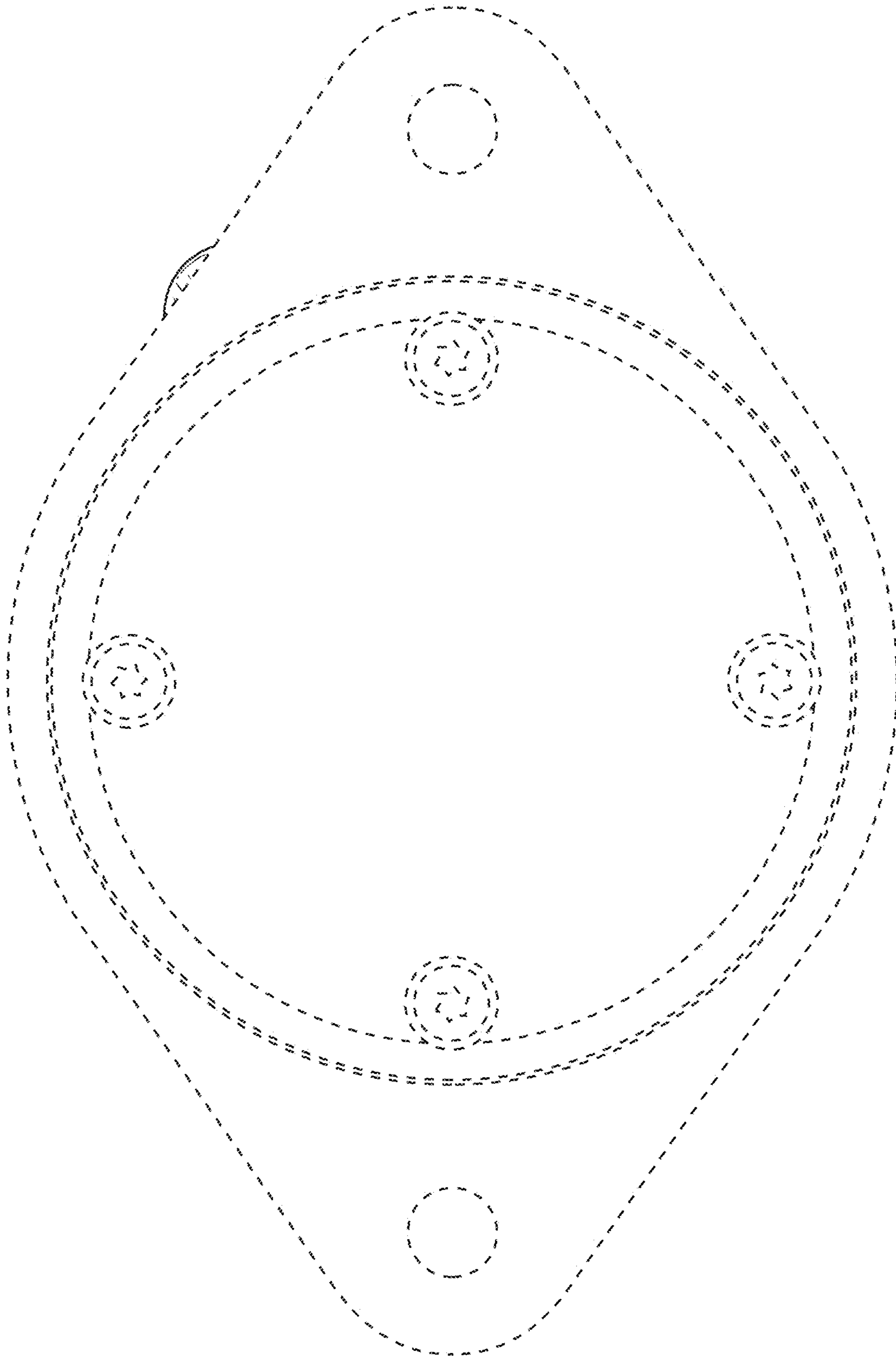


**FIG. 6**





**FIG. 7**



**FIG. 8**