



US00D899429S

(12) **United States Design Patent**
Akana et al.

(10) **Patent No.:** **US D899,429 S**

(45) **Date of Patent:** **** Oct. 20, 2020**

(54) **BACKPLATE FOR AN ELECTRONIC DEVICE**

(71) Applicant: **Apple Inc.**, Cupertino, CA (US)

(72) Inventors: **Jody Akana**, San Francisco, CA (US); **Molly Anderson**, San Francisco, CA (US); **Bartley K. Andre**, Palo Alto, CA (US); **Shota Aoyagi**, San Francisco, CA (US); **Anthony Michael Ashcroft**, San Francisco, CA (US); **Marine C. Bataille**, San Francisco, CA (US); **Jeremy Bataillou**, San Francisco, CA (US); **Adam T. Clavelle**, San Francisco, CA (US); **Erik Geddes Pieter De Jong**, San Francisco, CA (US); **Markus Diebel**, San Francisco, CA (US); **M. Evans Hankey**, San Francisco, CA (US); **Julian Hoenig**, San Francisco, CA (US); **Richard P. Howarth**, San Francisco, CA (US); **Jonathan P. Ive**, San Francisco, CA (US); **Julian Jaede**, San Francisco, CA (US); **Duncan Robert Kerr**, San Francisco, CA (US); **Martin Melcher**, Mountain View, CA (US); **Peter Russell-Clarke**, San Francisco, CA (US); **Benjamin Andrew Shaffer**, San Jose, CA (US); **Mikael Silvano**, San Francisco, CA (US); **Sung-Ho Tan**, San Francisco, CA (US); **Clement Tissandier**, San Francisco, CA (US); **Eugene Antony Whang**, San Francisco, CA (US); **Rico Zörkendörfer**, San Francisco, CA (US)

(73) Assignee: **Apple Inc.**, Cupertino, CA (US)

(**) Term: **15 Years**

(21) Appl. No.: **29/661,784**

(22) Filed: **Aug. 30, 2018**

(51) **LOC (12) Cl.** **14-02**

(52) **U.S. Cl.**
USPC **D14/439**

(58) **Field of Classification Search**
USPC D14/341–347, 424, 425, 432–453, 464, D14/468, 469, 471, 496, 511, 138 AA,
(Continued)

(56) **References Cited**

U.S. PATENT DOCUMENTS

3,640,065 A * 2/1972 Lederrey G04B 37/055
368/292
D287,471 S * 12/1986 Sato D10/30
(Continued)

FOREIGN PATENT DOCUMENTS

CN 303375877 S 9/2015
CN 304227341 S 8/2017
(Continued)

OTHER PUBLICATIONS

“ActionProof Bumper,” dealerscope.com, Japanese Patent Office Document HB27002821, 2015.

Primary Examiner — Austin Murphy

(74) *Attorney, Agent, or Firm* — Sterne, Kessler, Goldstein & Fox P.L.L.C.

(57) **CLAIM**

The ornamental design for a backplate for an electronic device, as shown and described.

DESCRIPTION

FIG. 1 is a bottom front perspective view of a backplate for an electronic device showing the claimed design; FIG. 2 is a bottom rear perspective view thereof; FIG. 3 is a front view thereof; FIG. 4 is a rear view thereof; FIG. 5 is a left side view thereof; FIG. 6 is a right side view thereof; FIG. 7 is a top view thereof; and,

(Continued)

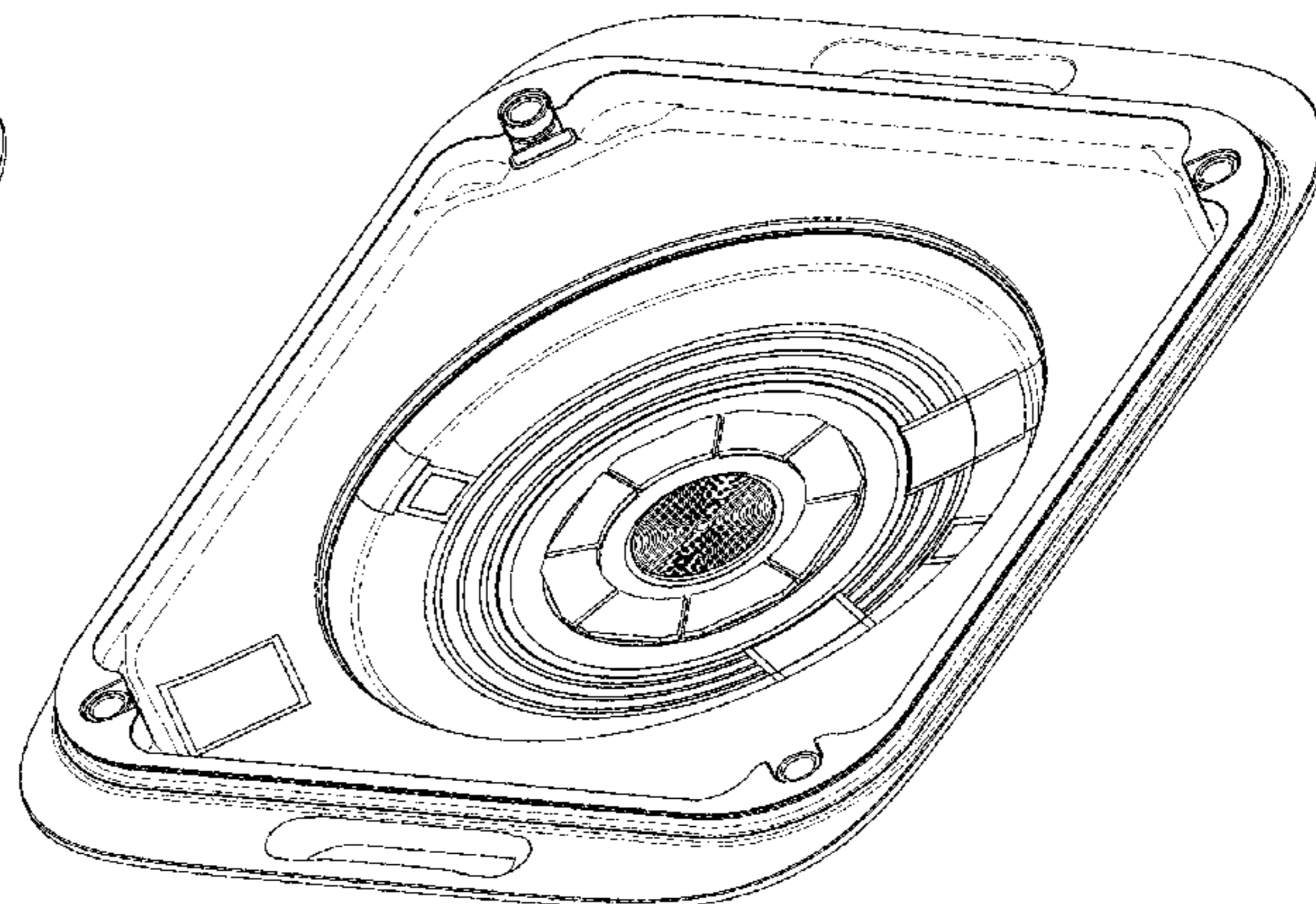
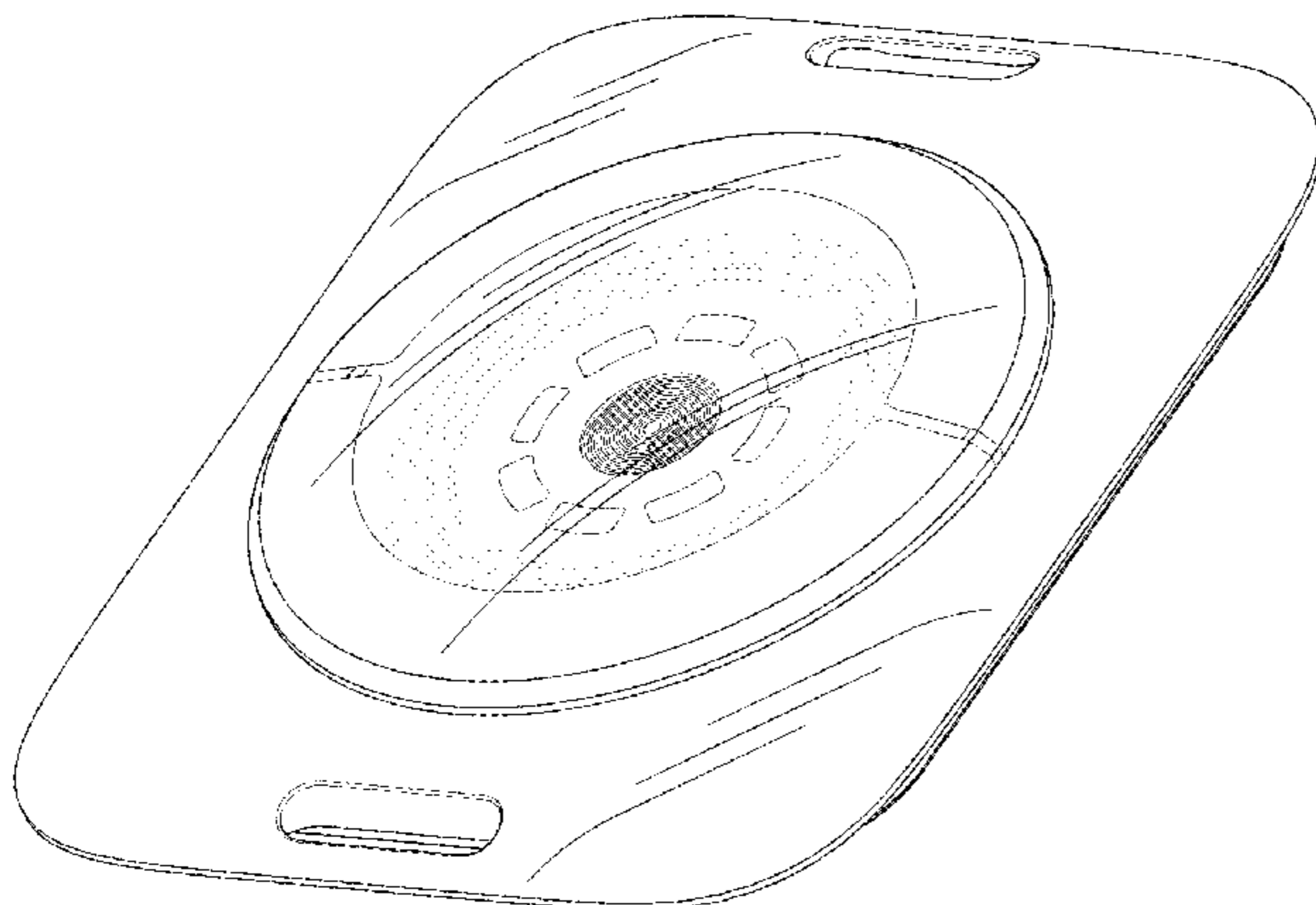


FIG. 8 is a bottom view thereof.
The broken lines in the figures show portions of the back-plate for an electronic device that form no part of the claimed design.

1 Claim, 6 Drawing Sheets

(58) Field of Classification Search

USPC ... D14/138 AD, 138 C, 138 G, 203.1–203.8,
D14/217, 238.1, 248, 250, 257, 299;
361/679.01, 679.02, 679.03, 679.3,
361/679.55, 679.56; 455/550.1, 556.1,
455/556.2, 575.1, 575.3–575.5, 575.8,
455/90.3
CPC H04M 1/0277; H04M 1/0202; H04M 1/02;
H04B 1/3838

See application file for complete search history.

(56) References Cited

U.S. PATENT DOCUMENTS

D394,815 S 6/1998 Jörss
D439,172 S * 3/2001 Brzezinski D10/30

D528,928 S * 9/2006 Burton D10/38
D586,823 S * 2/2009 Anderson D14/496
D649,069 S 11/2011 Galli
D758,363 S 6/2016 Akana et al.
D759,120 S 6/2016 Akana et al.
D768,634 S 10/2016 Akana et al.
D784,345 S * 4/2017 Kwon D10/103
D784,346 S * 4/2017 Tao D10/103
D795,183 S 8/2017 Akana et al.
D816,667 S 5/2018 Hardi
D832,265 S * 10/2018 Alves D14/439
D842,724 S * 3/2019 Vandenbussche D10/70
D847,664 S 5/2019 Mutsch
D869,461 S * 12/2019 Ke D14/344
D882,563 S * 4/2020 Akana D14/344
D882,565 S * 4/2020 Akana D14/344
D882,566 S * 4/2020 Akana D14/344
D883,279 S * 5/2020 Akana D14/344
2017/0046451 A1 * 2/2017 Akana G06F 30/00

FOREIGN PATENT DOCUMENTS

JP D1539660 S 12/2015
JP D1549019 S 5/2016

* cited by examiner

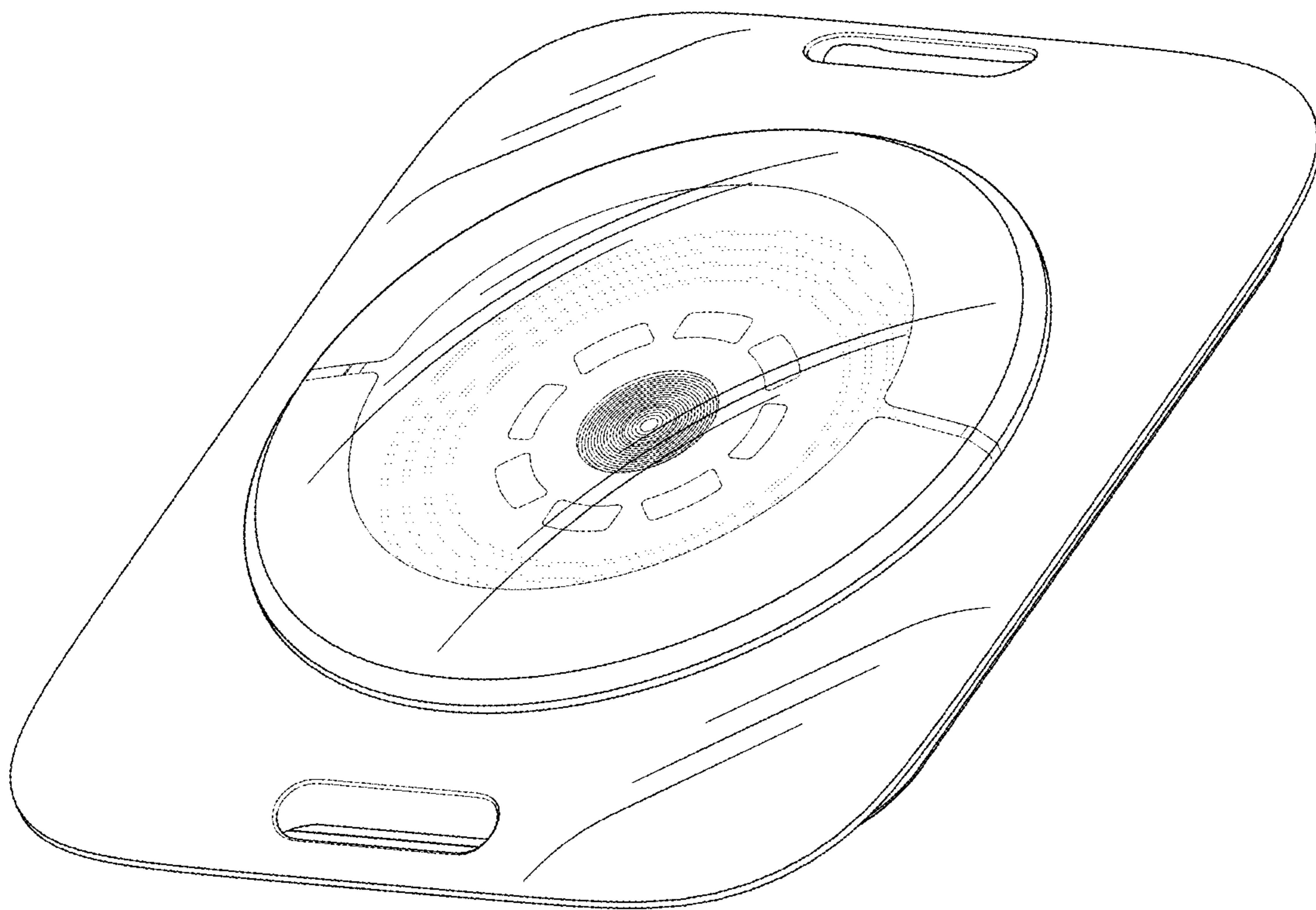


FIG. 1

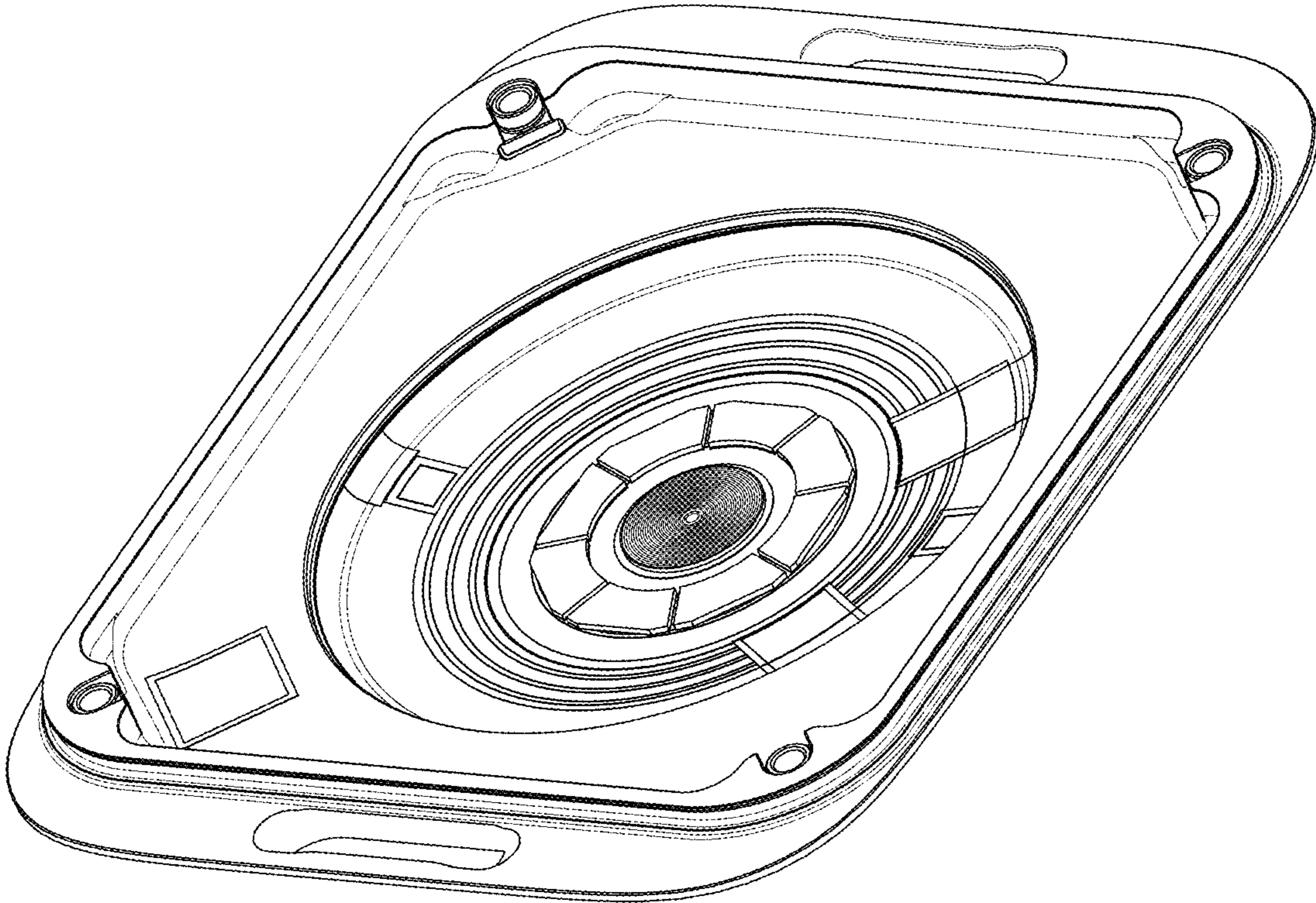


FIG. 2

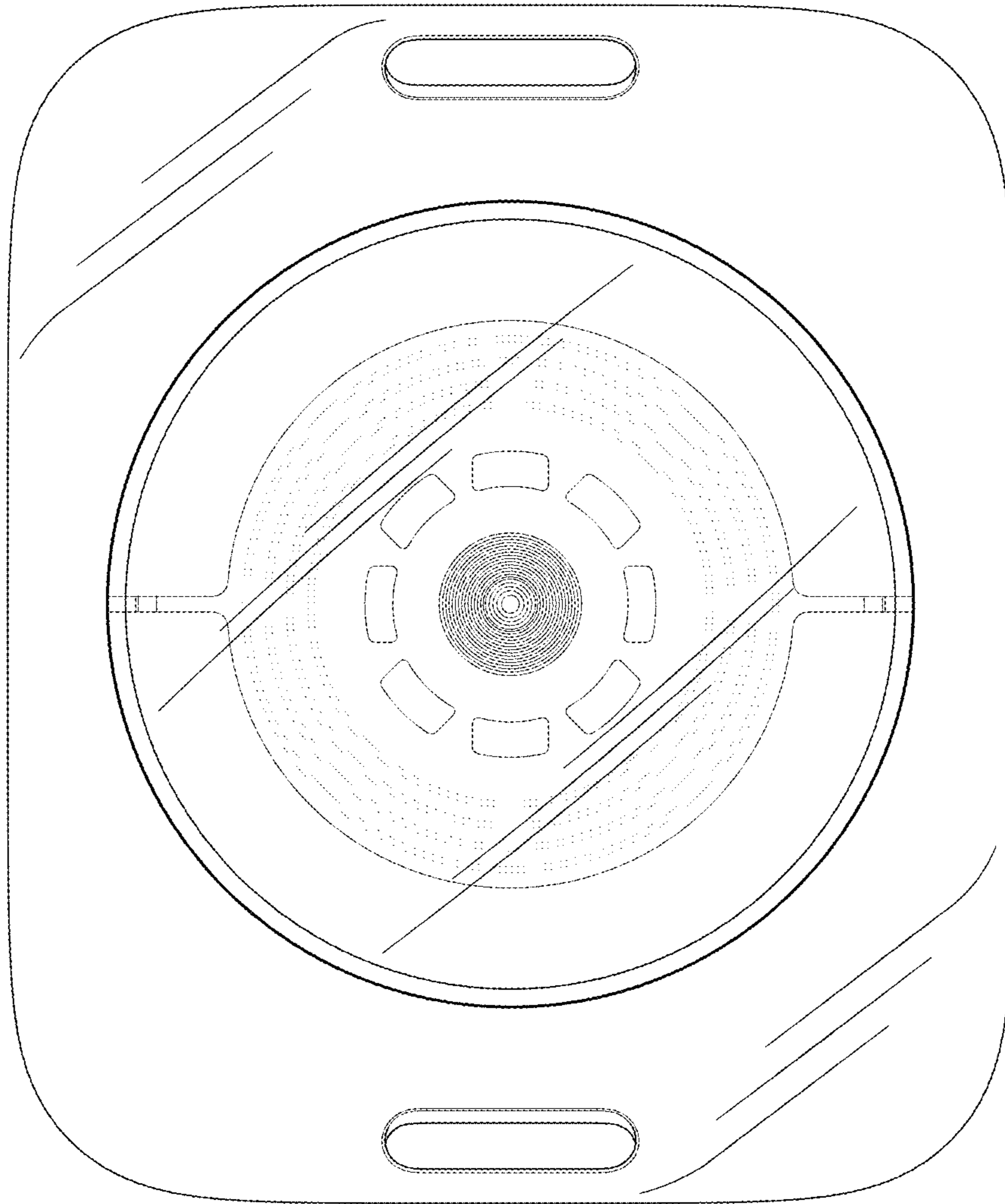


FIG. 3

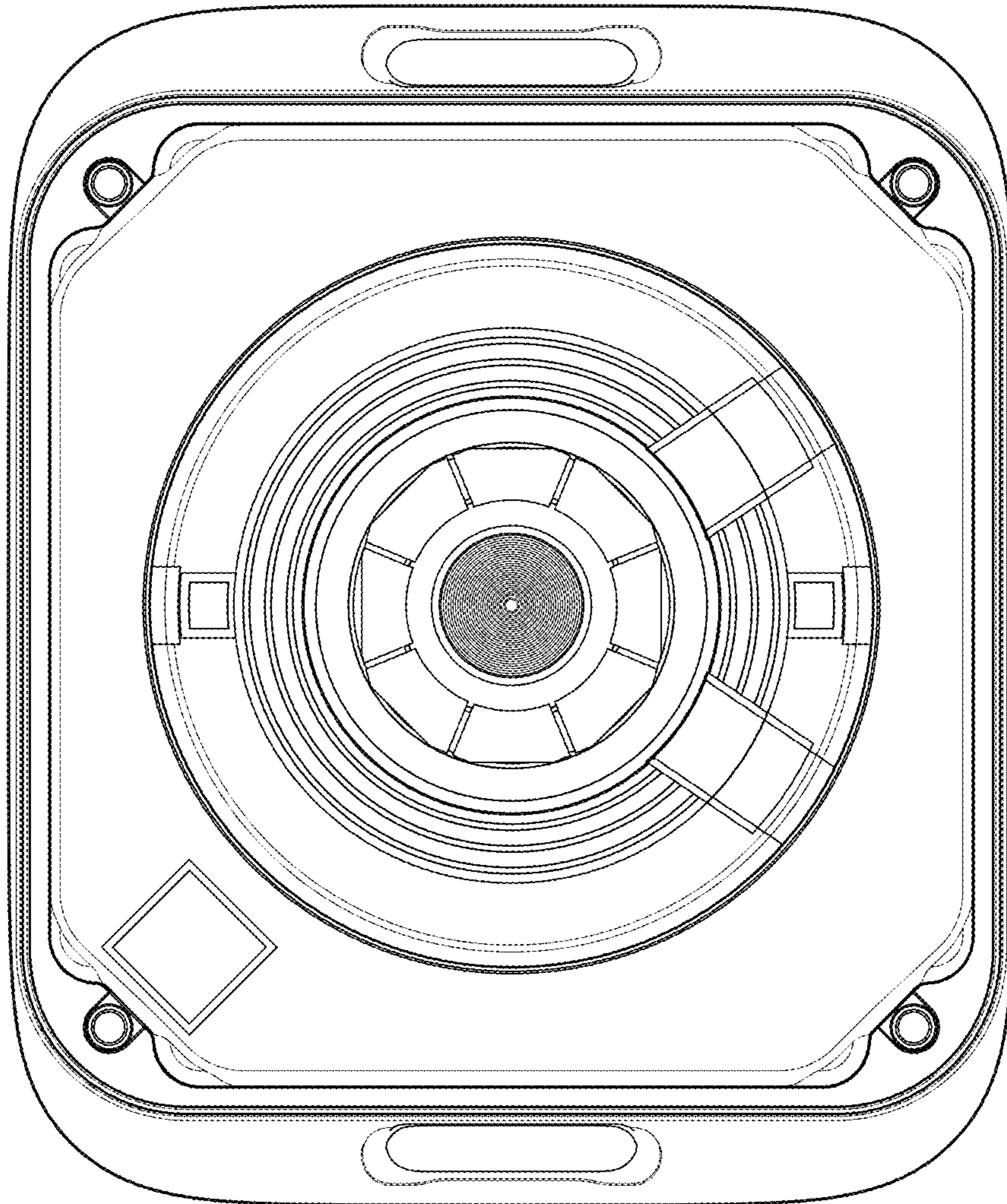


FIG. 4

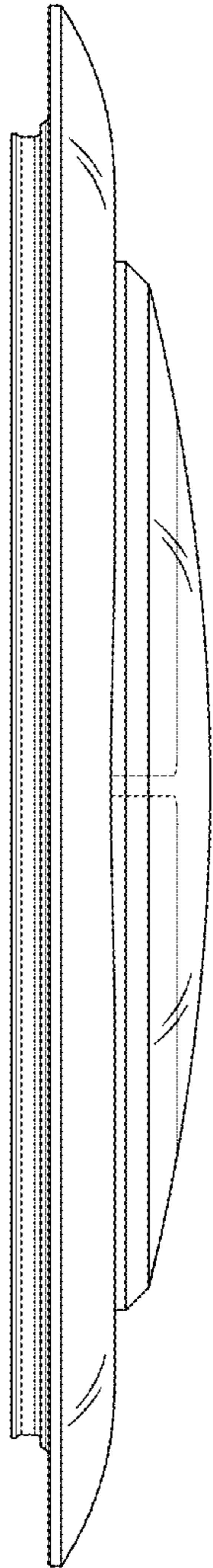


FIG. 5

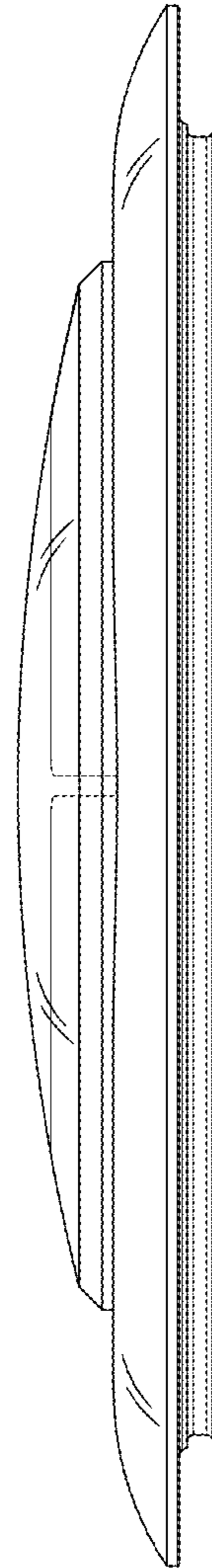


FIG. 6

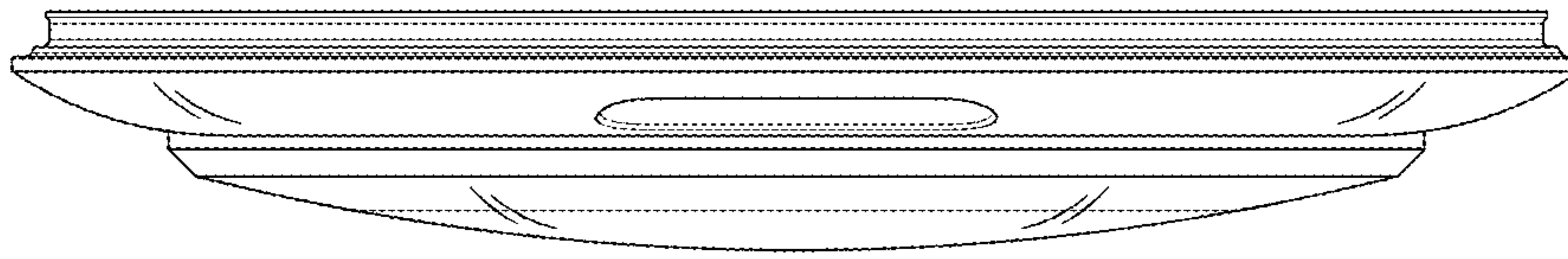


FIG. 7

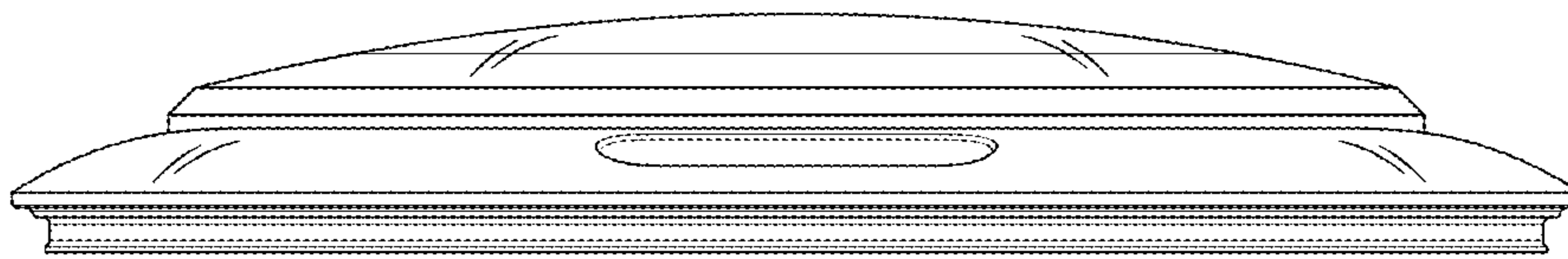


FIG. 8

UNITED STATES PATENT AND TRADEMARK OFFICE
CERTIFICATE OF CORRECTION

PATENT NO. : D899,429 S
APPLICATION NO. : 29/661784
DATED : October 20, 2020
INVENTOR(S) : Akana et al.

Page 1 of 1

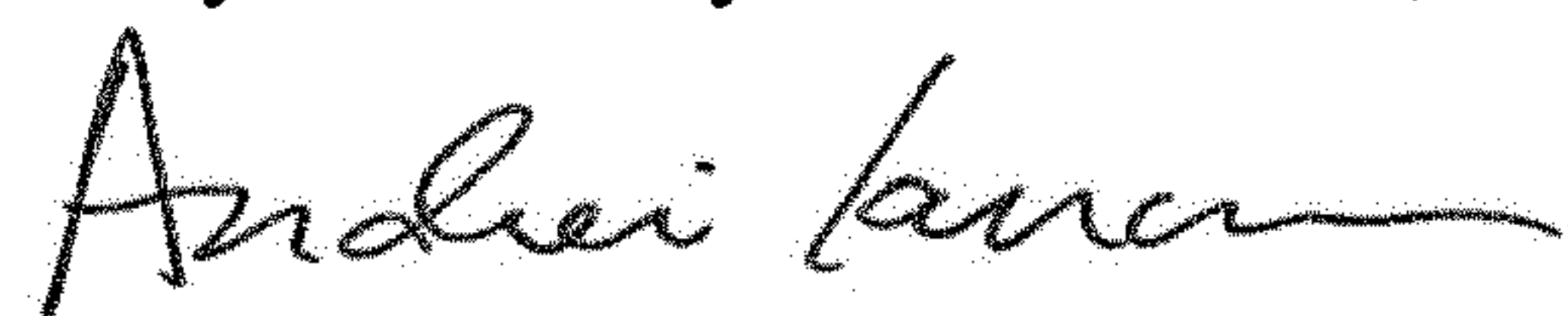
It is certified that error appears in the above-identified patent and that said Letters Patent is hereby corrected as shown below:

On the Title Page

In the Description, page 2, under item (57), delete the following paragraph:

“The broken lines in the figures show portions of the backplate for an electronic device that form no part of the claimed design.”

Signed and Sealed this
Twenty-ninth Day of December, 2020



Andrei Iancu
Director of the United States Patent and Trademark Office