



US00D899426S

(12) **United States Design Patent**  
**Akana et al.**

(10) **Patent No.:** **US D899,426 S**

(45) **Date of Patent:** **\*\* Oct. 20, 2020**

(54) **CROWN FOR AN ELECTRONIC DEVICE**

(71) Applicant: **Apple Inc.**, Cupertino, CA (US)

(72) Inventors: **Jody Akana**, San Francisco, CA (US);  
**Molly Anderson**, San Francisco, CA (US); **Bartley K. Andre**, Palo Alto, CA (US); **Shota Aoyagi**, San Francisco, CA (US); **Anthony Michael Ashcroft**, San Francisco, CA (US); **Marine C. Bataille**, San Francisco, CA (US); **Jeremy Bataillou**, San Francisco, CA (US); **Erik Geddes Pieter De Jong**, San Francisco, CA (US); **Markus Diebel**, San Francisco, CA (US); **M. Evans Hankey**, San Francisco, CA (US); **Julian Hoenig**, San Francisco, CA (US); **Richard P. Howarth**, San Francisco, CA (US); **Jonathan P. Ive**, San Francisco, CA (US); **Julian Jaede**, San Francisco, CA (US); **Duncan Robert Kerr**, San Francisco, CA (US); **Sameer Pandya**, Sunnyvale, CA (US); **Peter Russell-Clarke**, San Francisco, CA (US); **Benjamin Andrew Shaffer**, San Jose, CA (US); **Mikael Silvano**, San Francisco, CA (US); **Sung-Ho Tan**, San Francisco, CA (US); **Clement Tissandier**, San Francisco, CA (US); **Eugene Antony Whang**, San Francisco, CA (US); **Rico Zörkendörfer**, San Francisco, CA (US)

(73) Assignee: **Apple Inc.**, Cupertino, CA (US)

(\*\*) Term: **15 Years**

(21) Appl. No.: **29/661,789**

(22) Filed: **Aug. 30, 2018**

(51) **LOC (12) Cl.** ..... **14-02**

(52) **U.S. Cl.**  
USPC ..... **D14/432**

(58) **Field of Classification Search**  
USPC ..... D14/300–302, 308–313, 314, 348,

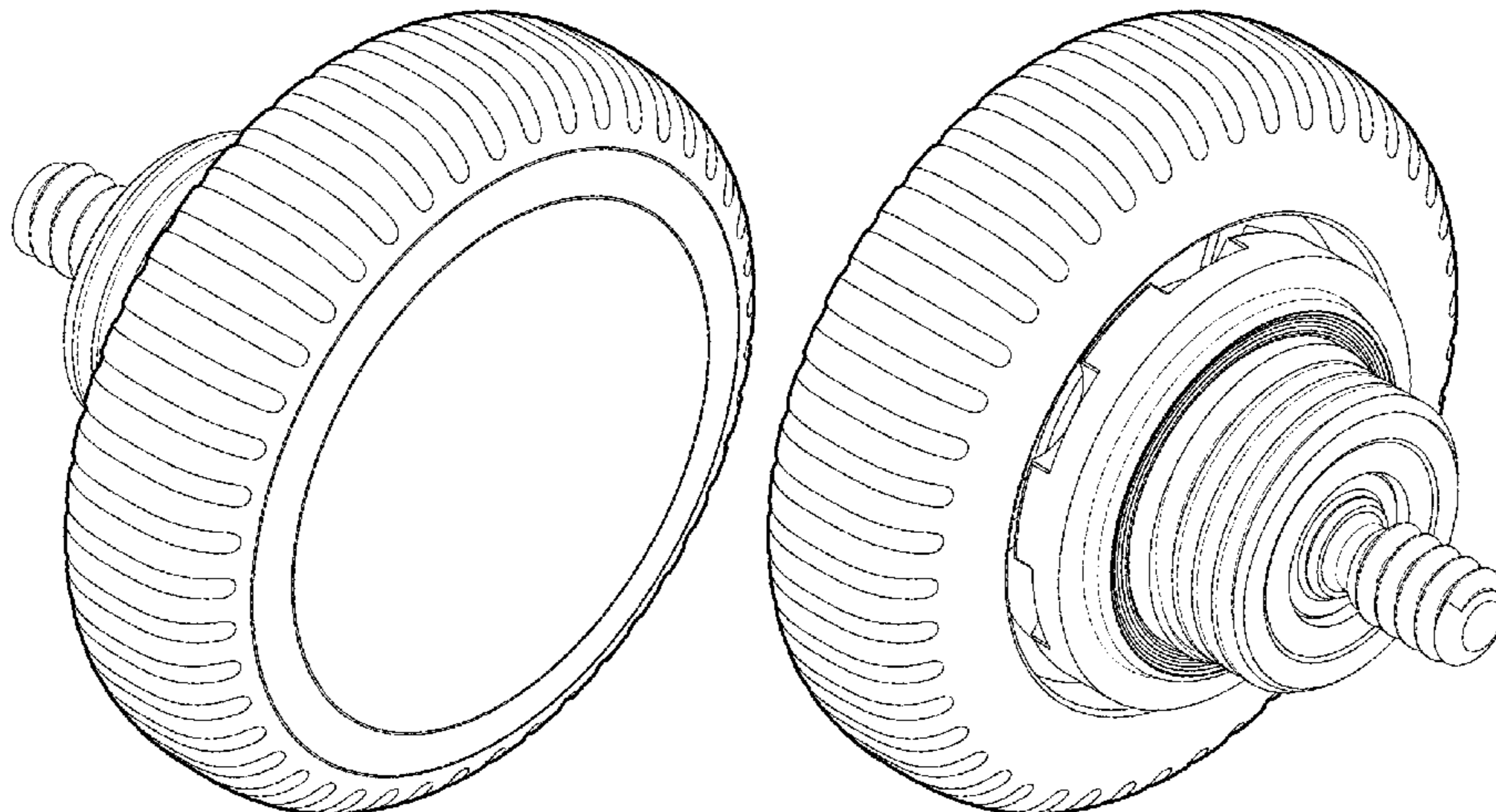
D14/353–355, 432, 439–446, 240;  
361/679.02, 679.31, 679.5, 690, 694,  
361/679.23, 801, 802; 312/332.1, 334.1;  
D13/162; D10/50  
CPC ..... A45C 11/00; A45C 2011/003; B60R  
11/0241; B60R 11/0252; F16M 13/00;  
F16M 11/00

See application file for complete search history.

(56) **References Cited**

U.S. PATENT DOCUMENTS

D51,333 S *	10/1917	Heizmann .....	D8/310
D67,474 S	6/1925	Rosenthal	
D68,807 S	11/1925	Hill	
D111,881 S	10/1938	Hoover et al.	
D152,491 S	1/1949	Osier	
D195,508 S	6/1963	McCabe et al.	
3,640,065 A	2/1972	Lederrey et al.	
D231,317 S	4/1974	Ludwick et al.	
D269,254 S	6/1983	Kishimoto	
D287,471 S	12/1986	Sato et al.	
D299,718 S	2/1989	Steer et al.	
D305,422 S	1/1990	Steer et al.	
D328,559 S	8/1992	Wilson et al.	
D331,020 S	11/1992	Ishii et al.	
D333,626 S	3/1993	Chang	
D349,864 S	8/1994	Dunlap et al.	
D355,375 S	2/1995	Bandy, II	
5,386,933 A	2/1995	Greene et al.	
D372,658 S *	8/1996	Decursu .....	D8/310
5,685,583 A	11/1997	Meck et al.	
D387,734 S	12/1997	Hawkins, Jr. et al.	
D402,269 S *	12/1998	Waters .....	D13/171
D424,401 S	5/2000	Ziemer et al.	
D431,512 S	10/2000	Pink et al.	
D439,172 S	3/2001	Brzezinski	
D442,073 S	5/2001	Lyndon	
D455,093 S	4/2002	Fitzgerald	
D475,269 S *	6/2003	Matern .....	D8/312
6,655,831 B1	12/2003	Ruffieux	
D496,589 S	9/2004	Perrenoud	
D503,717 S	4/2005	Kawamura	
6,970,157 B2	11/2005	Siddeeq	
D513,195 S	12/2005	Gruosi	
7,004,469 B2	2/2006	Von Goeben	
D528,439 S	9/2006	Burton	
D528,928 S	9/2006	Burton	
7,106,197 B2	9/2006	Gaiotto et al.	
D536,265 S	2/2007	Reynoso	



# US D899,426 S

D538,687 S 3/2007 Komulainen  
 D549,602 S 8/2007 Oberrieder et al.  
 D550,105 S 9/2007 Oberrieder et al.  
 D553,641 S 10/2007 Williamson et al.  
 D554,469 S 11/2007 Sato  
 D557,252 S 12/2007 Obata  
 D558,227 S 12/2007 Cho et al.  
 D560,520 S 1/2008 Oberrieder et al.  
 D569,282 S 5/2008 Daniel  
 D572,266 S 7/2008 Anderson et al.  
 D573,905 S 7/2008 Poirier  
 D574,735 S 8/2008 Landman et al.  
 D578,922 S 10/2008 Hoshino  
 D580,735 S 11/2008 Matijevic  
 D584,127 S \* 1/2009 Matijevic ..... D8/305  
 D584,170 S 1/2009 Morrison  
 D586,823 S 2/2009 Anderson et al.  
 D587,580 S 3/2009 Kane et al.  
 D589,375 S 3/2009 Tang  
 D592,037 S 5/2009 Mattson et al.  
 D596,610 S 7/2009 Hou  
 7,591,581 B2 9/2009 Lovegrove et al.  
 D610,476 S 2/2010 Daniel  
 D613,291 S 4/2010 Carver  
 D615,525 S 5/2010 Emge et al.  
 D616,417 S 5/2010 Liao  
 7,708,457 B2 5/2010 Girardin et al.  
 D631,770 S 2/2011 Killo et al.  
 D637,094 S 5/2011 Cobbett et al.  
 D637,918 S 5/2011 Cobbett et al.  
 D645,360 S 9/2011 Kiser et al.  
 D650,706 S 12/2011 Zanella et al.  
 D665,290 S 8/2012 Bhate et al.  
 D666,503 S 9/2012 Bulgari  
 D670,583 S 11/2012 Shaanan  
 D672,667 S 12/2012 Mix  
 D678,284 S 3/2013 Coulter  
 D681,483 S 5/2013 Biegert et al.  
 D682,131 S \* 5/2013 Bhate ..... D10/106.6  
 D699,701 S 2/2014 Kim  
 8,790,180 B2 7/2014 Barney et al.  
 8,801,206 B2 8/2014 Chen et al.  
 D714,288 S 9/2014 Aumiller et al.  
 D717,341 S 11/2014 Akana et al.  
 D717,678 S 11/2014 Anderssen et al.  
 D717,679 S 11/2014 Anderssen et al.  
 D719,123 S 12/2014 Park et al.  
 D719,961 S 12/2014 Xiang et al.  
 D724,103 S 3/2015 Akana et al.  
 D724,556 S 3/2015 Choi et al.  
 D725,531 S \* 3/2015 Gueit ..... D10/131  
 D728,624 S 5/2015 Akana et al.  
 D729,670 S 5/2015 Nuovo et al.  
 D737,156 S 8/2015 Akana et al.  
 D737,157 S 8/2015 Akana et al.  
 D737,158 S 8/2015 Akana et al.  
 D737,159 S 8/2015 Akana et al.  
 D741,726 S 10/2015 Akana et al.  
 D744,356 S 12/2015 Akana et al.  
 D744,488 S 12/2015 Akana et al.  
 D745,421 S 12/2015 Akana et al.  
 D746,707 S 1/2016 Akana et al.  
 D746,868 S \* 1/2016 Akana ..... D14/203.1  
 D751,070 S 3/2016 Akana et al.  
 D752,044 S 3/2016 Akana et al.  
 D756,357 S 5/2016 Akana et al.  
 D758,363 S 6/2016 Akana et al.  
 D759,011 S 6/2016 Akana et al.  
 D759,725 S 6/2016 Akana et al.  
 D763,967 S 8/2016 Kujawski et al.  
 D764,597 S \* 8/2016 Kujawski ..... D14/401  
 D766,752 S 9/2016 Akana et al.  
 D768,023 S 10/2016 Carr et al.  
 D768,634 S 10/2016 Akana et al.  
 D769,869 S 10/2016 Zhou et al.  
 D771,035 S 11/2016 Akana et al.  
 D771,036 S 11/2016 Akana et al.  
 D777,163 S 1/2017 Akana et al.  
 D778,912 S \* 2/2017 Akana ..... D14/432

D786,307 S 5/2017 Akana et al.  
 D790,517 S 6/2017 Akana et al.  
 D790,549 S 6/2017 Akana et al.  
 D791,771 S 7/2017 Akana et al.  
 D794,884 S 8/2017 Ayers  
 D797,810 S 9/2017 Akana et al.  
 D813,239 S \* 3/2018 Akana ..... D14/432  
 D849,749 S \* 5/2019 Akana ..... D14/432  
 2010/0061191 A1 3/2010 Chen  
 2016/0313808 A1 10/2016 Wu et al.  
 2016/0357151 A1 12/2016 Block et al.  
 2016/0357413 A1 12/2016 Block et al.  
 2017/0046451 A1\* 2/2017 Akana ..... G06F 30/00

## FOREIGN PATENT DOCUMENTS

CN	D3184158	4/2001
CN	D3210240	11/2001
CN	D3329483	10/2003
DE	10229050 C1	6/2003
EP	1098231 A1	5/2001
ES	001359301-0002	6/2013
HK	0501949.8	12/2005
HK	1001605.7	12/2010
JP	D1095230	1/2001
JP	D1119440	8/2001
JP	D1127245	11/2001
JP	D1127493	11/2001
JP	D1264904	3/2006
JP	D1281287	9/2006
JP	D1302423	6/2007
JP	D1350052	2/2009
JP	D1368561	8/2009
JP	D1433113	2/2012
JP	D1448195	8/2012
JP	D1462747	2/2013
JP	D1466391	4/2013
JP	D1477307	8/2013
JP	D1503504	7/2014
JP	D1511747	11/2014
JP	D1518040	2/2015
JP	D1521107 S	4/2015
WO	WO-DM/066491-004	3/2005
WO	WO-DM072215	9/2009
WO	WO-DM/077452-004	6/2011
WO	WO-DM/081400	7/2013
WO	WO-2014135709 A2	9/2014

## OTHER PUBLICATIONS

“Innovative Components Knurled Knob K4 Master,” posted at [knobsources.com/catalog\\_prints.html](http://knobsources.com/catalog_prints.html), Posting date unknown, Drawing dated Nov. 27, 2007. Available from Internet:< <http://www.knobsources.com/pdf/k4-masterrev-0.pdf>>. Retrieved Oct. 10, 2017.

1935 Montbrillant Mono | posted at [breitlingsource.com](http://breitlingsource.com) Jan. 24, 2014 © phpBB Group [online][site visited Sep. 1, 2017]. Available from Internet: (<http://breitlingsource.com/phpBB2/viewtopic.php?f=5&t=51938>).

Alladdin Lamp Wick Cleaner | posted at [alladdinlamps.info](http://alladdinlamps.info) No posting date given; vintage 20th C. wick cleaners © 2002, 2015 by TeriAnn Wakeman. [online][site visited Sep. 18, 2017]. Available from Internet: (<http://www.alladdinlamps.info/wickCleaners.htm>).

Alvarez, Edgar, “Basis Peak to get its smartwatch-like features in December,” [engadget.com](http://www.engadget.com),< <http://www.engadget.com/2014/11/20/basis-peak-new-features/>>, dated Nov. 20, 2014, accessed Dec. 15, 2014.

Cool Material, “Braun Square Digital Watch,”< <http://web.archive.org/web/20111125033014/http://coolmaterial.com/style/braun-square-digital-watch/>>, dated Nov. 25, 2011, accessed Dec. 18, 2014.

Davies Utility Knob, Knurled Rim | posted at Amazon.com 1 posting date not given; customer review date Mar. 23, 2014 © 1996-2017, Amazon.com, Inc. [online][site visited Sep. 18, 2017]. Available from Internet: (<https://www.amazon.com/Davies-Thermoset-Scalloped-Threaded-Diameter/dp/B005LRS3RO#feature-bullets-btf>).

Emily, "Nixon—The Newton Digital," < <http://www.freshnessmag.com/2009/09/08/nixon-the-newton-digital/>>, freshnessmag.com, dated Sep. 8, 2009, accessed Oct. 9, 2014.

etsy.com, "1 Set Silver End Cap Clasp—Findings Large Toggle Clasp End Caps Buckle Connector with Five Inside Loops for Jewelry Making 26mm," < <http://www.etsy.com/listing/101269004/1-set-silver-end-cap-clasp-findings?ref=market>>, Listed on Aug. 29, 2014, accessed Oct. 9, 2014.

Fitbit, "Fitbit Surge™ Fitness Super Watch" < <https://www.fitbit.com/surge>>, accessed Dec. 15, 2014.

geekbuying.com, "Makibes unisex red led digital wrist watch with square case silicone watchband—white," < <http://www.geekbuying.com/item/Unisex-Red-LED-Digital-Wrist-Watch-with-Square-Case-Silicone-Watchband---White-326443.html>>, accessed Oct. 9, 2014.

Hodinkee.com, "Apple iPod Nano Now Available With Mickey Mouse Dial, Also Cheesy, Mechanically Inaccurate Open-Worked Dial," < <http://web.archive.org/web/20111006043916/http://www.hodinkee.com/blog/2011/10/5/apple-ipod-nano-now-available-with-mickey-mouse-dial-also-ch.html>>, dated Oct. 6, 2011, accessed Dec. 18, 2014.

Homego, "M6 Silver Smart Watch Cell Phone 1.54 inch Bluetooth 3.0 Dialer Outdoor Sports Pedometer," amazon.com, < <http://www.amazon.com/Silver-Bluetooth-Dialer-Outdoor-Pedometer/dp/B00MQTBGK6>>, accessed Dec. 15, 2014.

Ikepod, "Original Ikepod Watch With GMT—Marc Newson Design," Watchbox.be, < <http://www.watchbox.be/prod/Others-Watches/Marc%20Newson%20Design/item7165.htm#.VJLm2fAo5D8>>, accessed Dec. 17, 2014.

Innovative Components AN041000K3N21 Knurled Knob | posted at Amazon.com, no posting date given; reviewed Aug. 13, 2015 © 1996-2017, Amazon.com, Inc. [online][site visited Sep. 18, 2017]. Available from Internet: ([https://www.amazon.com/Innovative-Components-AN041000K3N21-Knurled-10-24/dp/BOOGORCPLA/ref=pd\\_sbs\\_328\\_4?\\_encoding=UTF8&psc=1&refRID=4BC8DCT](https://www.amazon.com/Innovative-Components-AN041000K3N21-Knurled-10-24/dp/BOOGORCPLA/ref=pd_sbs_328_4?_encoding=UTF8&psc=1&refRID=4BC8DCT)).

LG Life's Good, "LG G Watch (W100)," < <http://www.lg.com/us/smart-watches/lg-W100-g-watch>>, accessed Dec. 18, 2014.

"Louis Moinet Geograph," posted at worldwatchreview.com, dated Mar. 14, 2011. Available from Internet: < <http://www.worldwatchreview.com/2011/03/14/louis-moinet-geograph-limited-edition/>>. Retrieved Oct. 10, 2017.

Metawatch, "Frame—Black (MW3005)," < <http://meta.watch/collections/smartwatch-all/products/frame-ss-black-leather>>, accessed Dec. 15, 2014.

Omate, "Omate TrueSmart: Water-resistant standalone Smartwatch 2.0," < <http://www.kickstarter.com/projects/omate/omate-truesmart-water-resistant-standalone-smartwa>>, dated Aug. 21, 2013, accessed Oct. 8, 2014.

Omate, "The TrueSmart™ is the world's first standalone smartwatch 2.0 running on top of Android and OUI 2.0," < <http://www.omate.com/product.html>>, accessed Dec. 15, 2014.

Pebble, "Pebble Smartwatch," getpebble.com, < <https://getpebble.com/checkout>>, accessed Dec. 15, 2014.

Samsung, "Samsung Gear™ 2 Charcoal Black SM-R3800VSAXAR," < <http://www.samsung.com/us/mobile/wearable-tech/SM-R3800VSAXAR>>, accessed Dec. 15, 2014.

Samsung, "Samsung Gear S™, (Sprint), Black SM-R750PZKASPR," < <http://www.samsung.com/us/mobile/wearable-tech/SM-R750PZKASPR>>, accessed Dec. 15, 2014.

Samsung, "Galaxy Gear™ Live, Black SM-R3820ZKAXAR," < <http://www.samsung.com/us/mobile/wearable-tech/SM-R3820ZKAXAR>>, accessed Dec. 15, 2014.

Sony, "SmartWatch 3 SWR50," < <http://www.sonymobile.com/us/products/smartwear/smartwatch-3-swr50/>>, accessed Dec. 15, 2014.

Sony, "SmartWatch," < <http://www.sonymobile.com/us/products/accessories/smartwatch/>>, accessed Dec. 15, 2014.

Stables, James, "Clevercare smartwatch aims to help Alzheimer's suffers and carers: Revamped Sony SmartWatch 2 designed for users that need care," Wearable News, < <http://www.wearable.com/wearable-tech/clevercare-smartwatch-aims-to-help-alzheimers-suffers-and-carers-585>>, dated Dec. 15, 2014.

Team Luxe, "Collector's Edition: Hermes Carre H Watch," Luxpresso, < <http://luxpresso.com/news-couture/collectors-edition-hermes-carre-h-watch/2814>>, dated Jan. 10, 2011, accessed Dec. 18, 2014.

Ted Baker, "Ted Baker Men's TE1054 Time Flies Contemporary Square Digital Case Watch," < <http://www.amazon.com/Ted-Baker-TE1054-Contemporary-Digital/dp/B0045CRTYO%3FSubscriptionId%3DAKIAJ3U4YRIBWCGGKZ2A%26tag%3Dfrases365-20%26linkCode%3Dsp1%26camp%3D2025%26creative%3D165953%26creativeASIN%3DB0045CRTYO>>, accessed Oct. 9, 2014.

Velazco, Chris, "ASUS ZenWatch review: subtle and stylish, with a few shortcomings," Engadget.com, < <http://www.engadget.com/2014/12/11/asus-zenwatch-review/>>, dated Dec. 11, 2014, accessed Dec. 15, 2014.

Vented Eaton Replica Style Gas Cap | posted at vtwinmfg.com 2017 catalog pp. 732,1202 © 2017 [online][site visited Sep. 18, 2017]. Available from Internet: ([http://www.vtwinmfg.com/webapp/wcs/stores/servlet/VTwinProd1\\_10101\\_10102\\_3364856\\_-1](http://www.vtwinmfg.com/webapp/wcs/stores/servlet/VTwinProd1_10101_10102_3364856_-1)).

Watches Infoniac.com, "Hermes Carre H Watch—Extremely Contemporary Design," < <http://watches.infoniac.com/carre-h-watch-hermes.html>>, dated Aug. 13, 2010, accessed Dec. 18, 2014.

Watchismo, "Braun BN0042 Black Date Leather," < <http://web.archive.org/web/20130815073830/http://www.watchismo.com/braun-bn0042bkbk.aspx>>, dated Aug. 15, 2013, accessed Dec. 18, 2014.

JPO Document HJ29009299, LG Watch Style, May 5, 2017, retrieved Jul. 8, 2019.

\* cited by examiner

*Primary Examiner* — Austin Murphy

(74) *Attorney, Agent, or Firm* — Sterne, Kessler, Goldstein & Fox P.L.L.C.

(57)

## CLAIM

The ornamental design for a crown for an electronic device, as shown and described.

## DESCRIPTION

FIG. 1 is a top front perspective view of a crown for an electronic device showing the claimed design;  
 FIG. 2 is a top rear perspective view thereof  
 FIG. 3 is a front view thereof;  
 FIG. 4 is a rear view thereof;  
 FIG. 5 is a left side view thereof;  
 FIG. 6 is a right side view thereof;  
 FIG. 7 is a top view thereof; and,  
 FIG. 8 is a bottom view thereof.

**1 Claim, 8 Drawing Sheets**

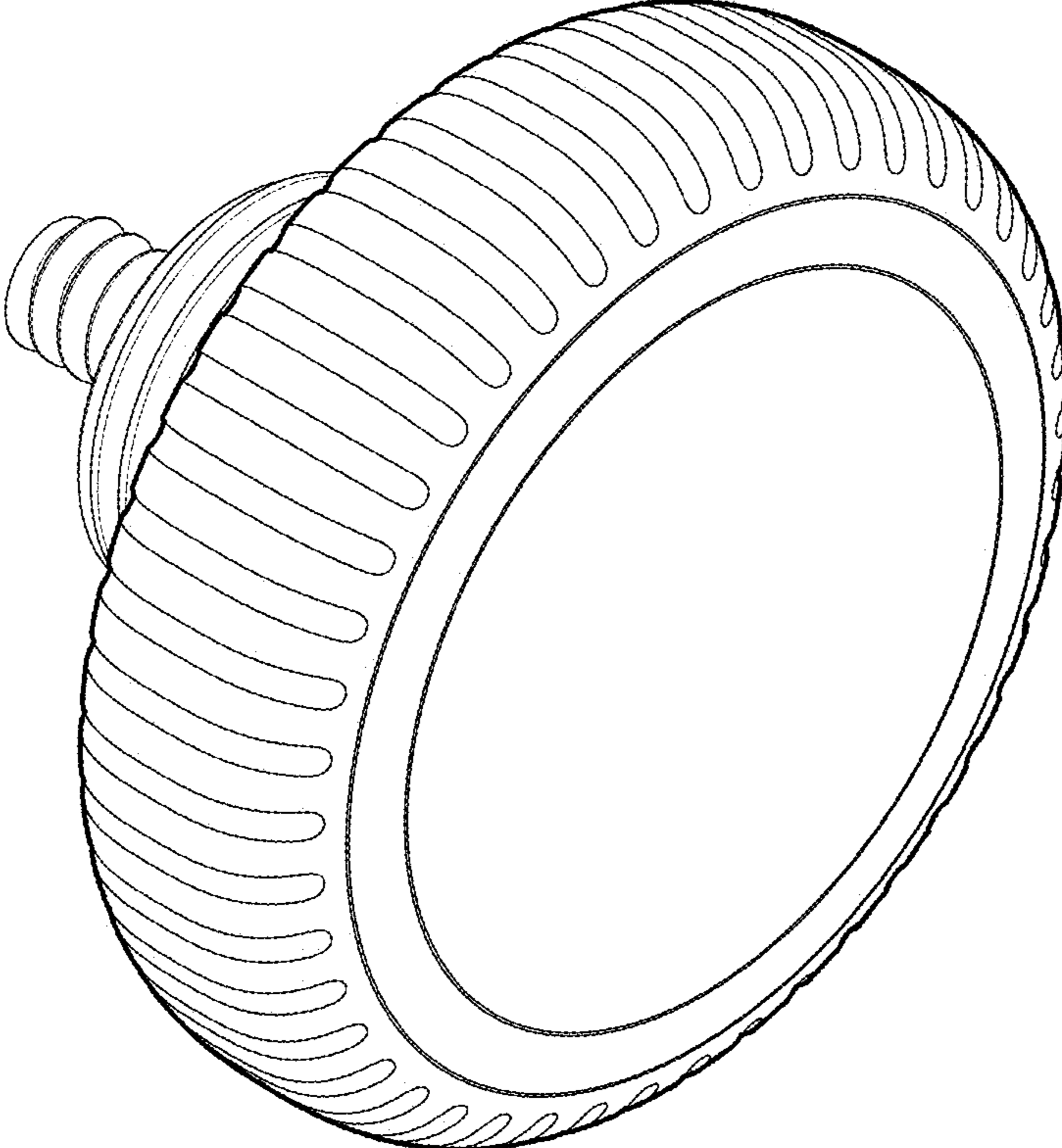
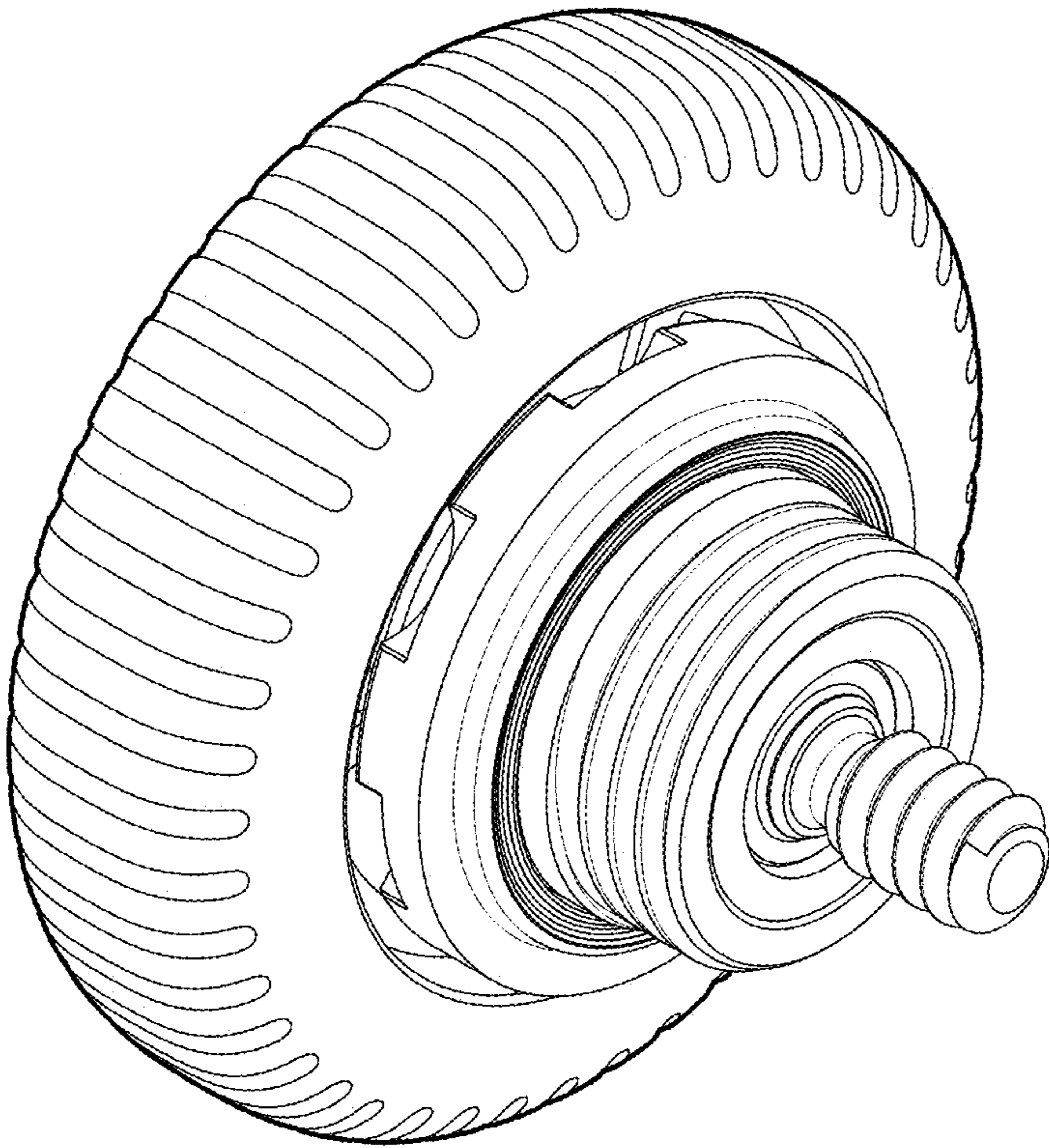
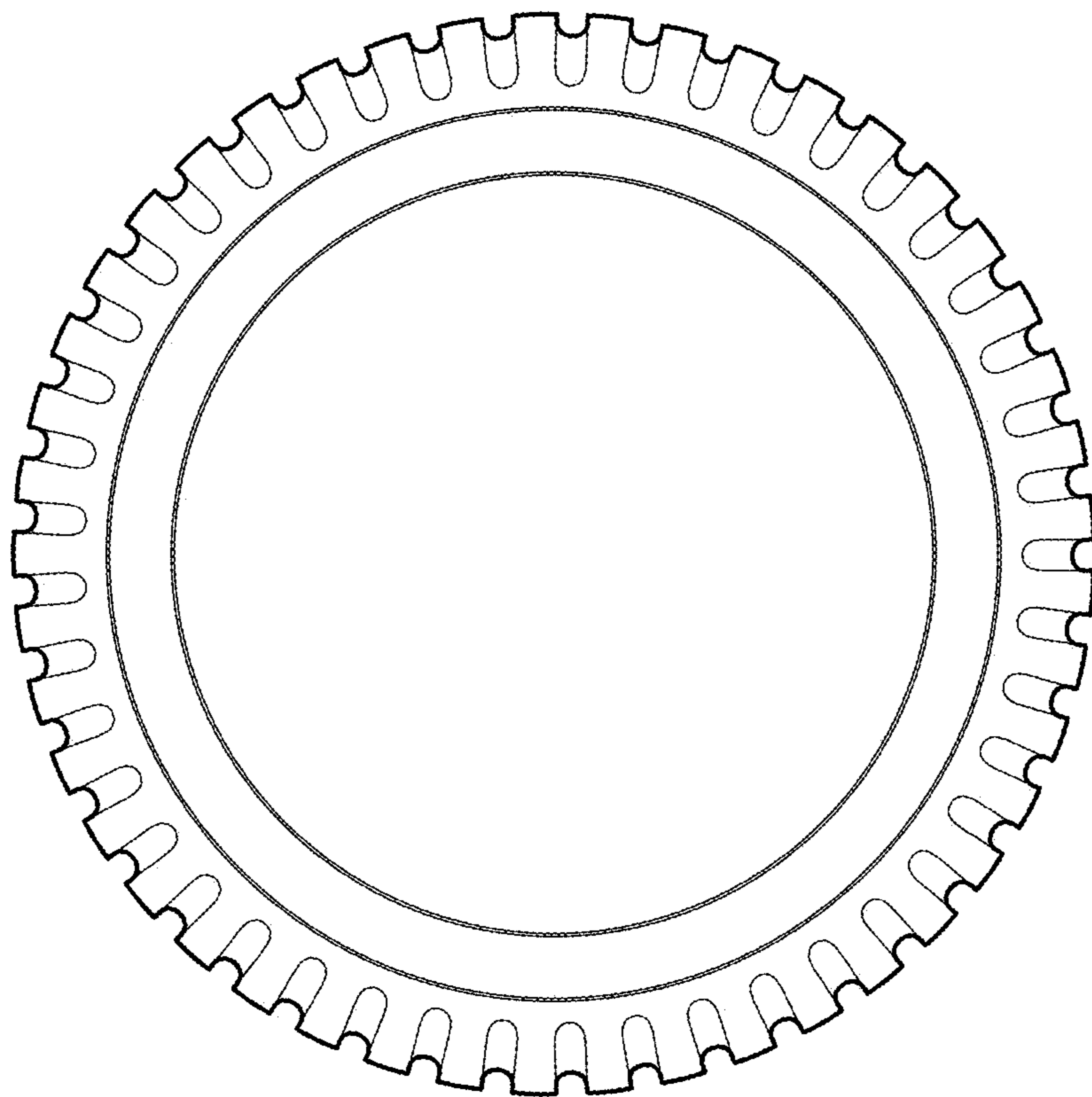


FIG. 1



**FIG. 2**



**FIG. 3**

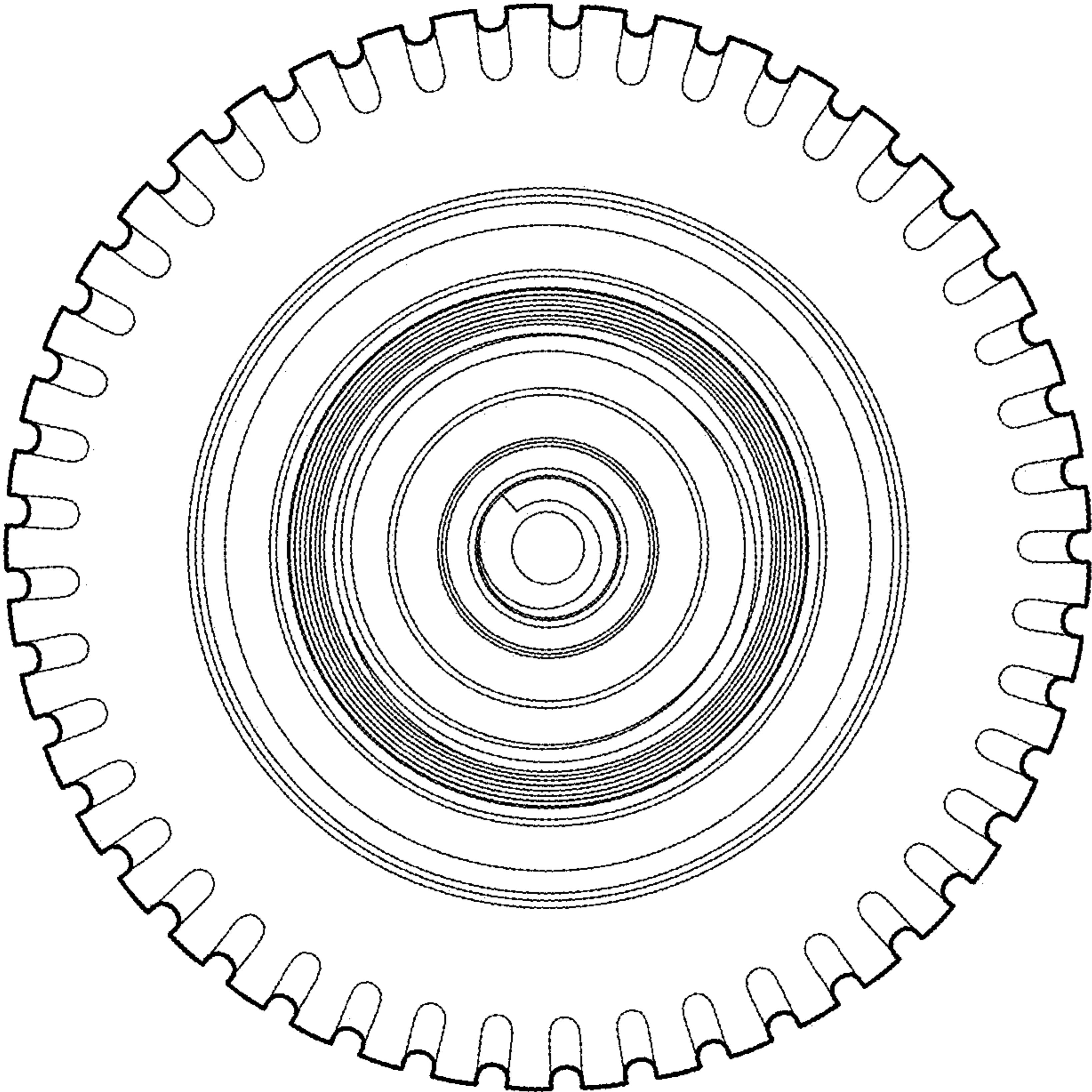


FIG. 4

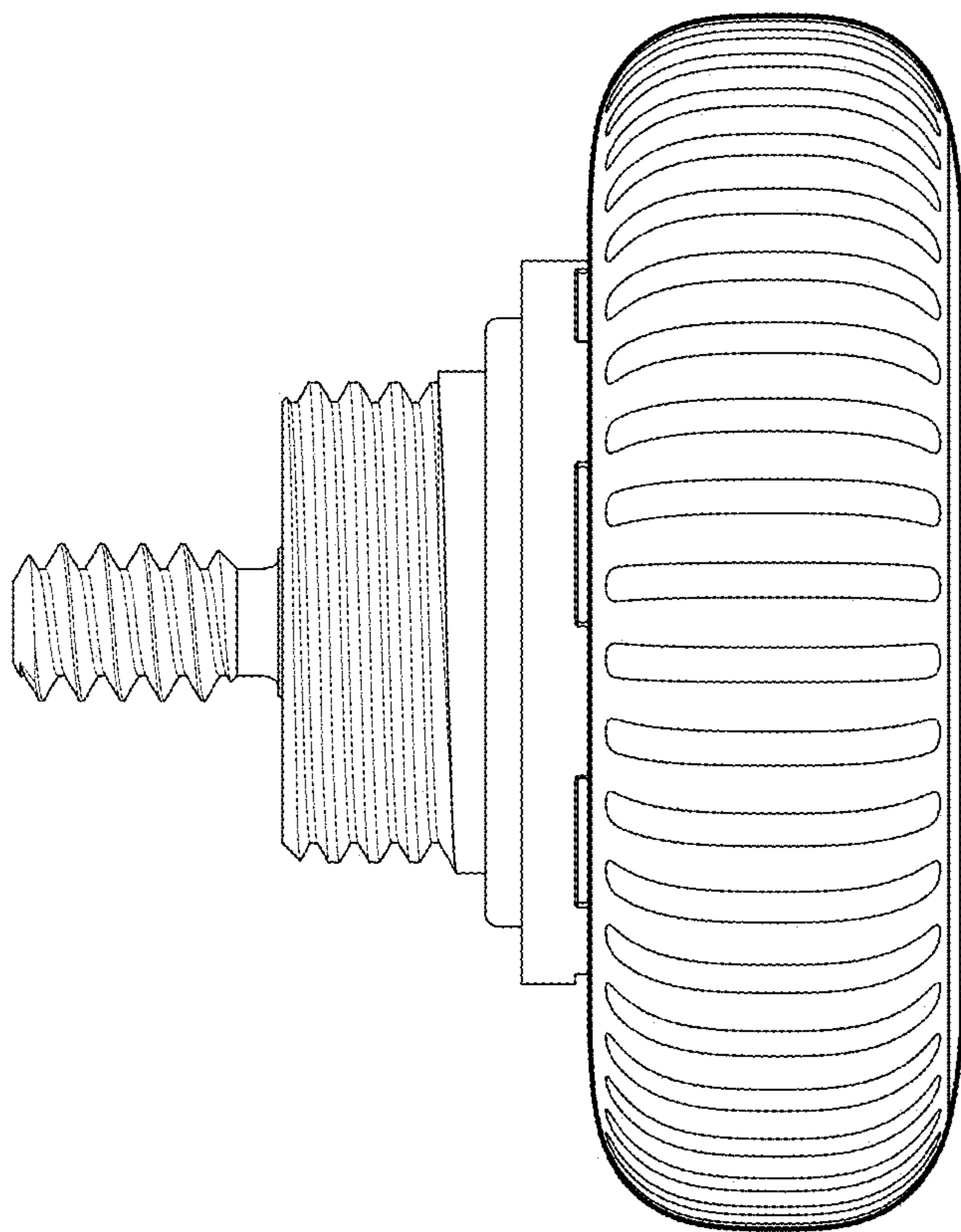


FIG. 5



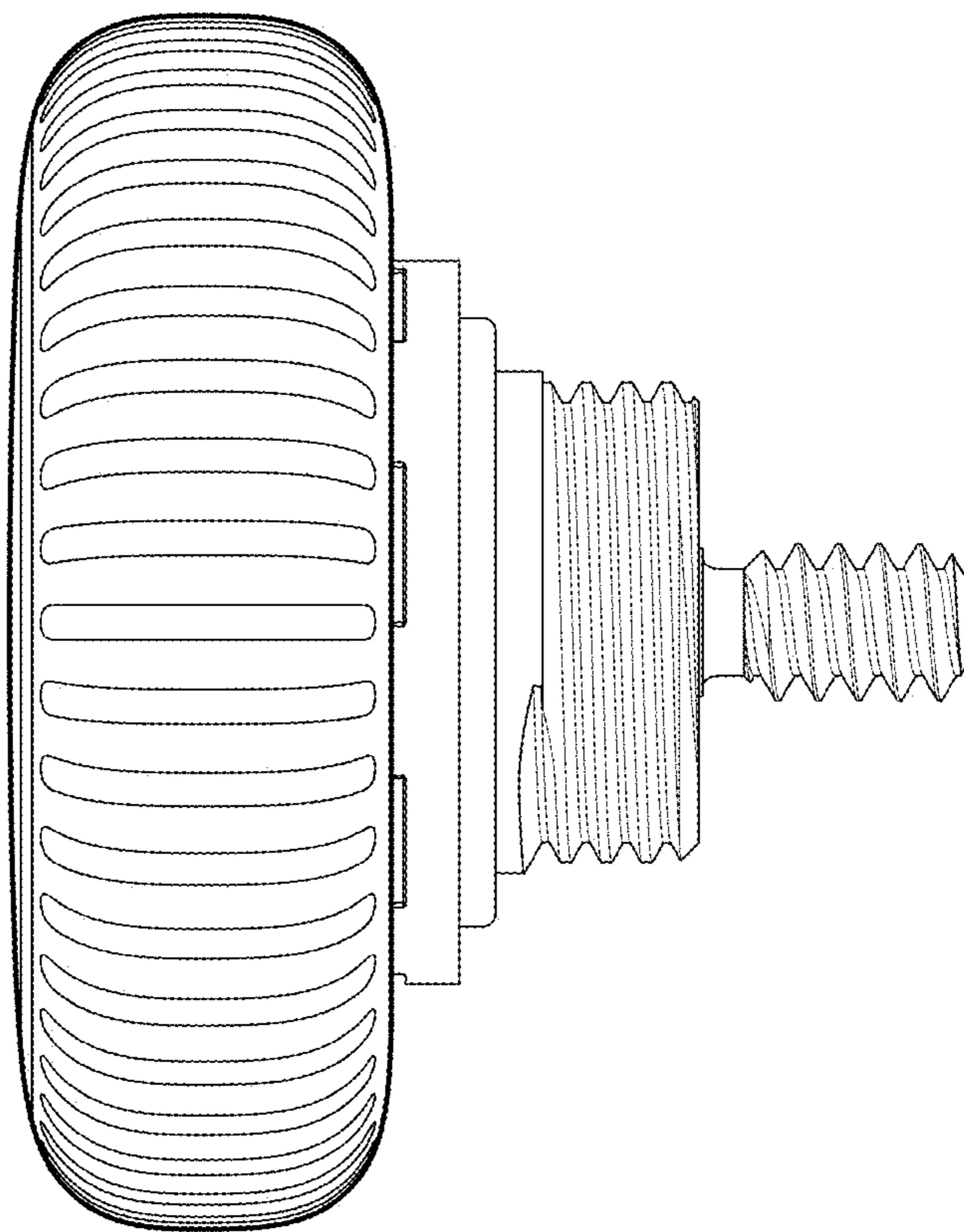
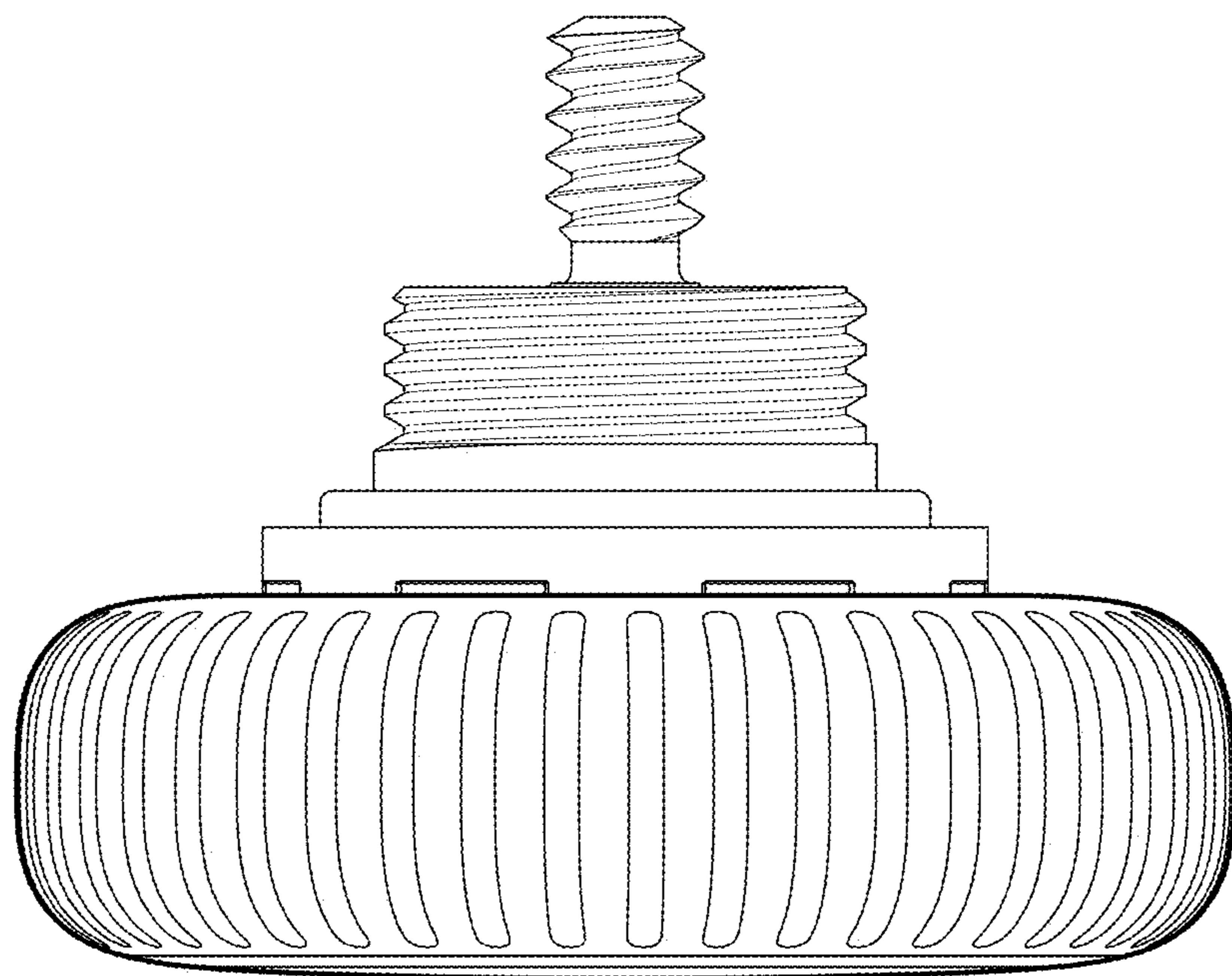
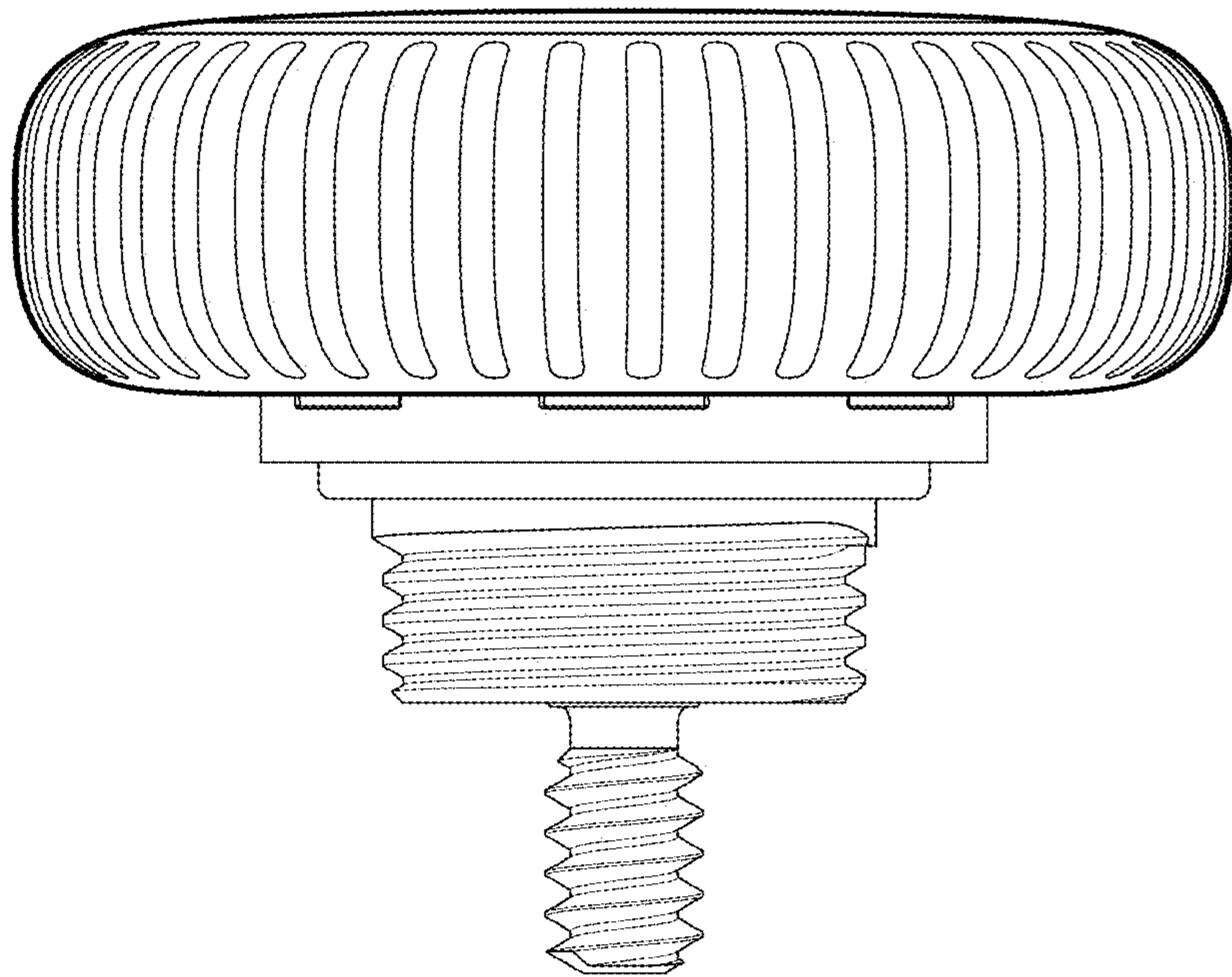


FIG. 6



**FIG. 7**



**FIG. 8**