



US00D899425S

(12) **United States Design Patent**
Sauvageot

(10) **Patent No.:** **US D899,425 S**

(45) **Date of Patent:** **** Oct. 20, 2020**

(54) **SCOOTER**
(71) Applicant: **BIROTA**, Vanves (FR)
(72) Inventor: **Pierre Sauvageot**, Saint Cyr l'Ecole (FR)

D671,600 S * 11/2012 Home B62K 15/006
D21/423
D829,826 S * 10/2018 Liu D21/423
D858,647 S * 9/2019 Liu D21/423
D889,558 S * 7/2020 Hooshmand D21/423
D890,852 S * 7/2020 Yang D21/423
2012/0080859 A1* 4/2012 Tai B62K 15/006
280/87.041
2015/0084312 A1* 3/2015 Schreuder B62K 15/006
280/639
2016/0009332 A1* 1/2016 Sirbu B62K 15/008
180/220
2016/0096578 A1* 4/2016 Fan B62K 9/02
280/87.041
2018/0257733 A1* 9/2018 Ko B62K 21/16

(**) Term: **15 Years**
(21) Appl. No.: **35/507,513**
(22) Filed: **May 6, 2019**

(80) **Hague Agreement Data**

Int. Filing Date: **May 6, 2019**
Int. Reg. No.: **DM/203227**
Int. Reg. Date: **May 6, 2019**
Int. Reg. Pub. Date: **Oct. 11, 2019**

* cited by examiner

Primary Examiner — Keli L Hill

(51) **LOC (12) Cl.** **21-01**
(52) **U.S. Cl.**
USPC **D14/423**
(58) **Field of Classification Search**
USPC D21/419, 421, 423, 432, 760, 763, 765,
D21/771; D12/1, 110
CPC B62K 3/002; B62K 9/00; B62K 2202/00;
B62K 15/00; B60Y 2200/126
See application file for complete search history.

(57) **CLAIM**

The ornamental design for a scooter, as shown and described.

DESCRIPTION

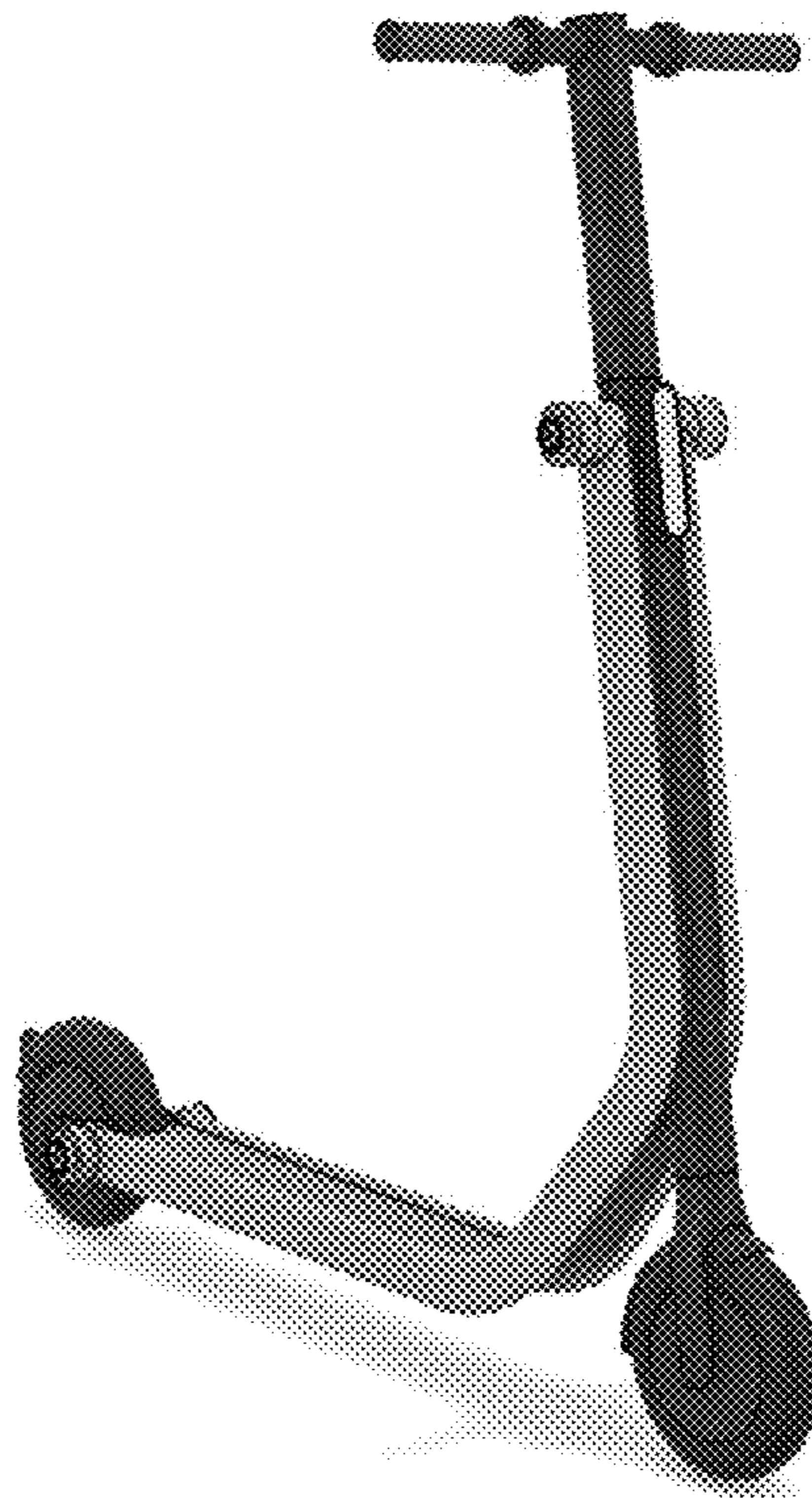
- 1. Scooter
- 1.1 : Perspective
- 1.2 : Front
- 1.3 : Bottom
- 1.4 : Left
- 1.5 : Right
- 1.6 : Top
- 1.7 : Back

(56) **References Cited**

U.S. PATENT DOCUMENTS

D444,824 S * 7/2001 Udwin B62K 21/16
D21/423
D447,187 S * 8/2001 Powers B62K 9/02
D21/423

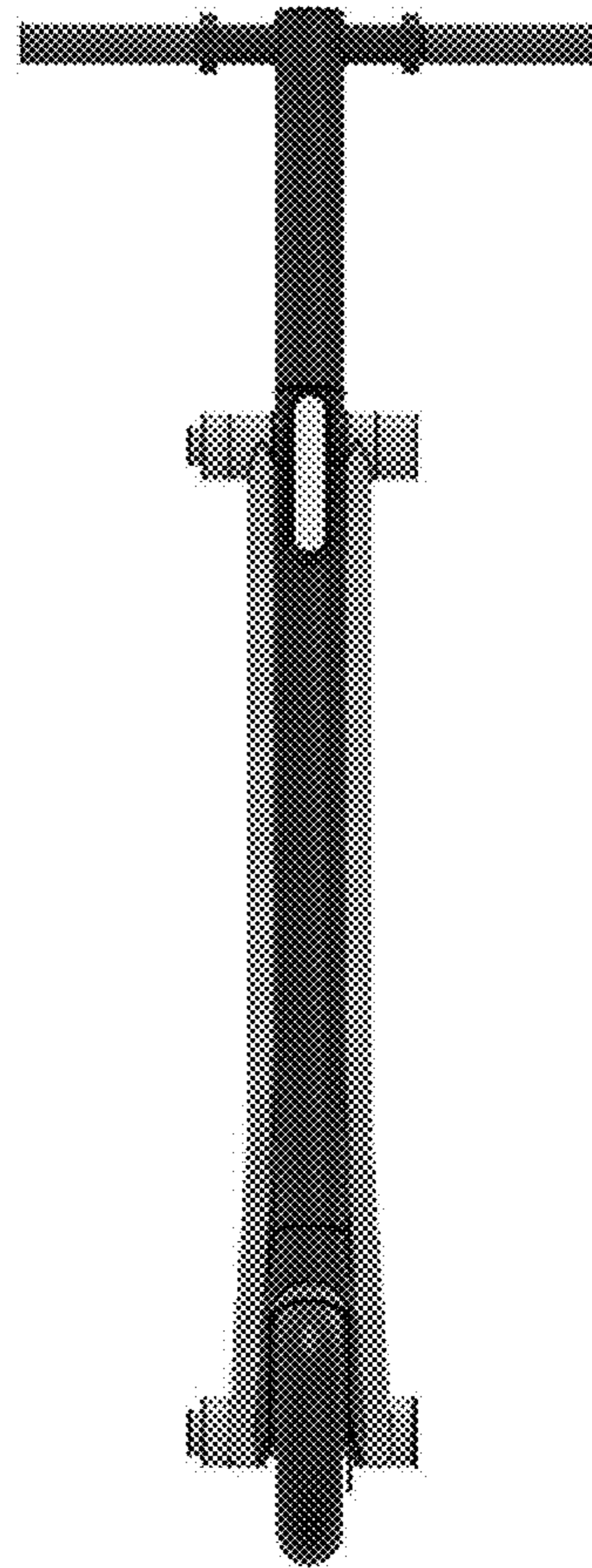
1 Claim, 7 Drawing Sheets



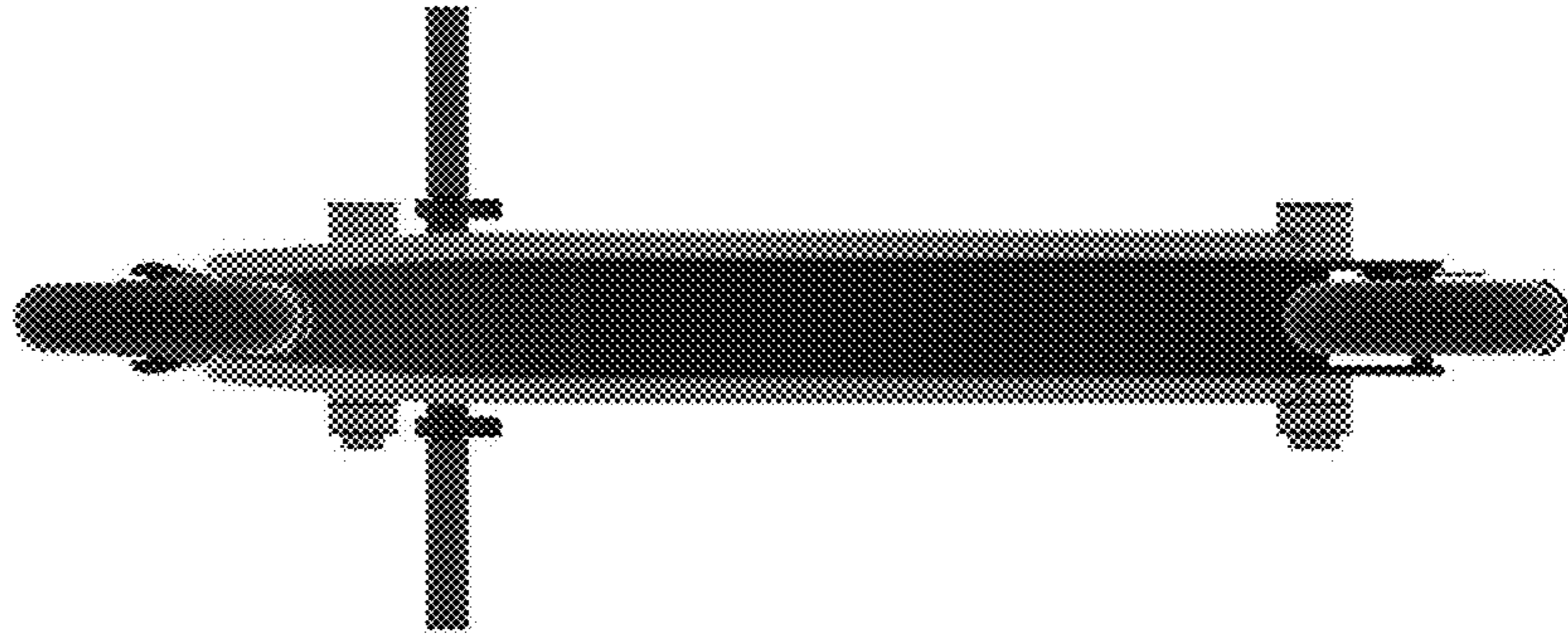
1.1



1.2



1.3



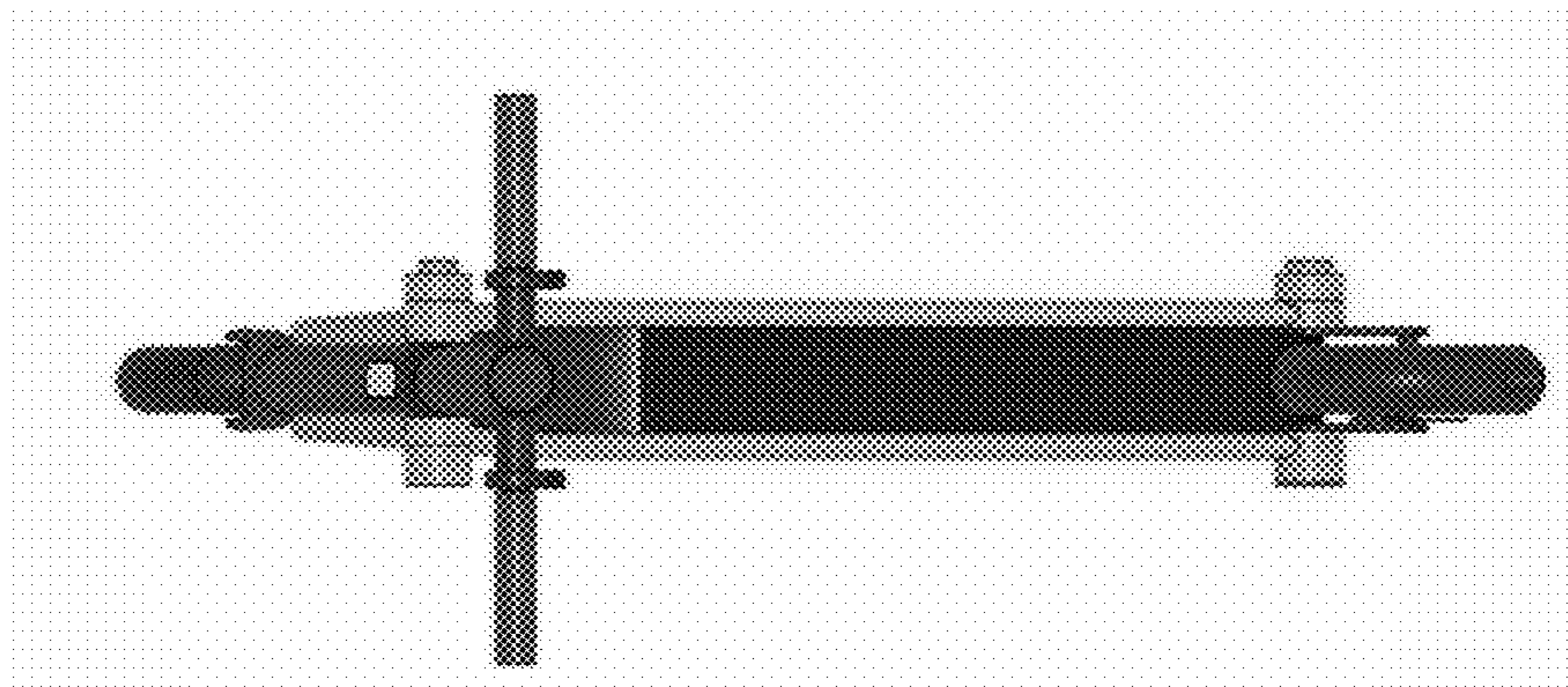
1.4



1.5



1.6



1.7

