



US00D899424S

(12) **United States Design Patent**
Chen et al.

(10) **Patent No.:** **US D899,424 S**
(45) **Date of Patent:** **** Oct. 20, 2020**

(54) **MOTION CONTROLLER**
(71) Applicant: **Acer Incorporated**, New Taipei (TW)
(72) Inventors: **Wei-Chang Chen**, New Taipei (TW);
Jung-Wei Tsao, New Taipei (TW)
(73) Assignee: **Acer Incorporated**, New Taipei (TW)
(**) Term: **15 Years**

D797,743 S * 9/2017 Awad D14/412
D804,579 S * 12/2017 Britt D21/333
D804,580 S * 12/2017 Britt D21/333
D806,173 S * 12/2017 Britt D21/333
D813,203 S * 3/2018 Hardi D14/218
D814,370 S * 4/2018 Kim D12/174
D819,638 S * 6/2018 Lo D14/388
D827,613 S * 9/2018 Seo D14/218
D840,360 S * 2/2019 Scott D13/168
D856,979 S * 8/2019 Seo D14/218
D863,446 S * 10/2019 Bristol D21/333
D866,554 S * 11/2019 Lo D14/388
D872,087 S * 1/2020 Lo D14/388

(Continued)

(21) Appl. No.: **29/671,483**
(22) Filed: **Nov. 28, 2018**

Primary Examiner — Jeffrey D Asch
Assistant Examiner — Rebekah A Caruso
(74) *Attorney, Agent, or Firm* — JCIPRNET

(30) **Foreign Application Priority Data**

May 31, 2018 (TW) 107303078

(51) **LOC (12) Cl.** **14-02**
(52) **U.S. Cl.**
USPC **D14/400; D14/388; D21/333**

(58) **Field of Classification Search**
USPC D14/400–418, 426–431, 454–455, 203.3,
D14/218, 300, 356, 358, 383, 388, 399,
D14/432; D21/324, 328, 331, 333, 566;
D13/162, 162.1, 168; D10/78, 103
CPC .. A63F 9/02; A63F 9/24; A63F 9/0291; A63F
9/0252; A63F 13/00; A63F 13/23; A63F
13/24; A63F 13/26; A63F 13/98; A63F
13/02; A63F 13/12
See application file for complete search history.

(56) **References Cited**

U.S. PATENT DOCUMENTS

D366,876 S * 2/1996 Labohm D14/218
D408,532 S * 4/1999 Schmidt D14/428
D556,201 S * 11/2007 Ashida D14/412
D556,760 S * 12/2007 Ashida D14/412
D567,243 S * 4/2008 Ashida D14/412
D579,015 S * 10/2008 Ashida D14/412
D603,841 S * 11/2009 Foley D14/218

(57) **CLAIM**

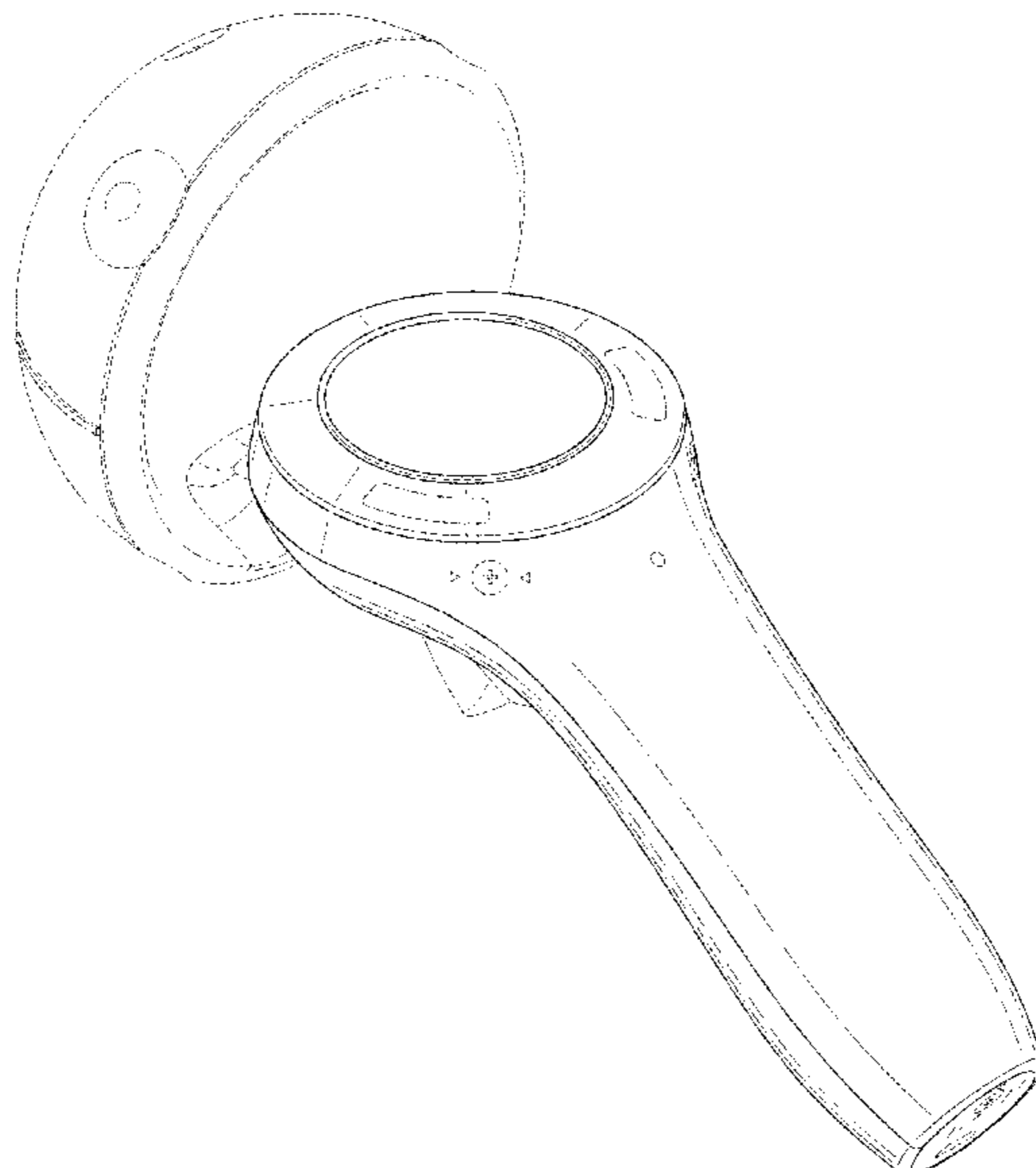
The ornamental design for a motion controller, as shown and described.

DESCRIPTION

FIG. 1 is a perspective view of a motion controller showing our new design;
FIG. 2 is another perspective view thereof;
FIG. 3 is a front view thereof;
FIG. 4 is a rear view thereof;
FIG. 5 is a left side view thereof;
FIG. 6 is a right side view thereof;
FIG. 7 is a top view thereof;
FIG. 8 is a bottom view thereof; and,
FIG. 9 is a cross-sectional view taken along line 9-9 in FIG. 5.

The dashed broken lines illustrate portions of the motion controller and form no part of the claimed design. The unshaded circular region located at the top of the article in FIGS. 1 and 7 forms no part of the claimed design. The dot-dash broken lines define the bounds of the claimed design and form no part thereof.

1 Claim, 8 Drawing Sheets



(56)

References Cited

U.S. PATENT DOCUMENTS

10,549,183	B2 *	2/2020	Hope	A63F 13/214
D879,881	S *	3/2020	Baud-Bovy	D21/333
D882,529	S *	4/2020	Scott	D13/168
10,635,188	B2 *	4/2020	Tompkins	G05G 9/047
D883,283	S *	5/2020	Chen	D14/388
D884,700	S *	5/2020	Shao	D14/412
D885,386	S *	5/2020	Wei	D14/388
10,649,583	B1 *	5/2020	Leinbaugh	G06F 3/03547
D887,410	S *	6/2020	Lo	D14/388
D888,056	S *	6/2020	Wei	D14/388
10,691,233	B2 *	6/2020	Dalton	G06F 3/041
2018/0099219	A1 *	4/2018	Hope	A63F 13/218
2019/0262697	A1 *	8/2019	Kim	G06T 19/20

* cited by examiner

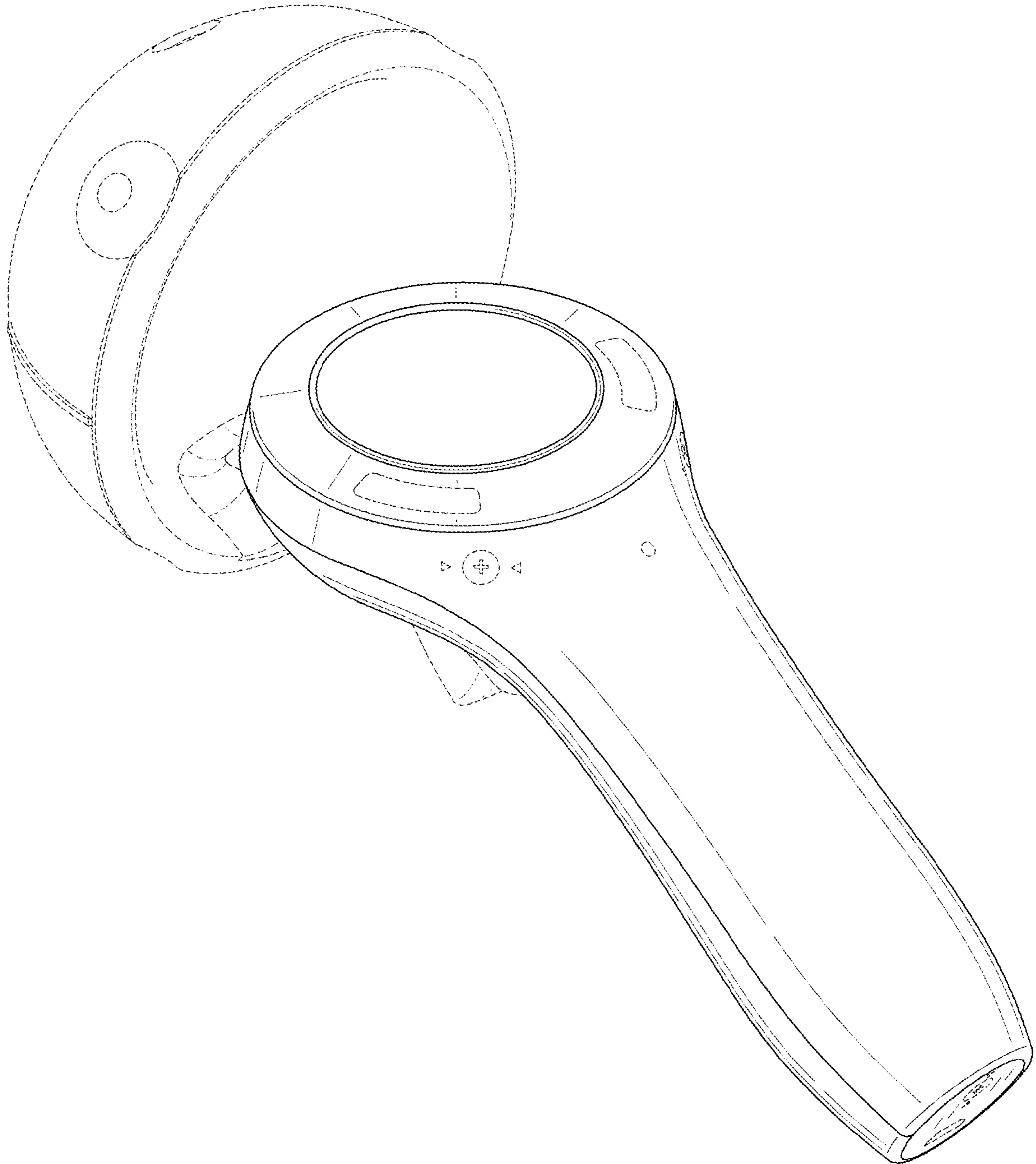


FIG. 1

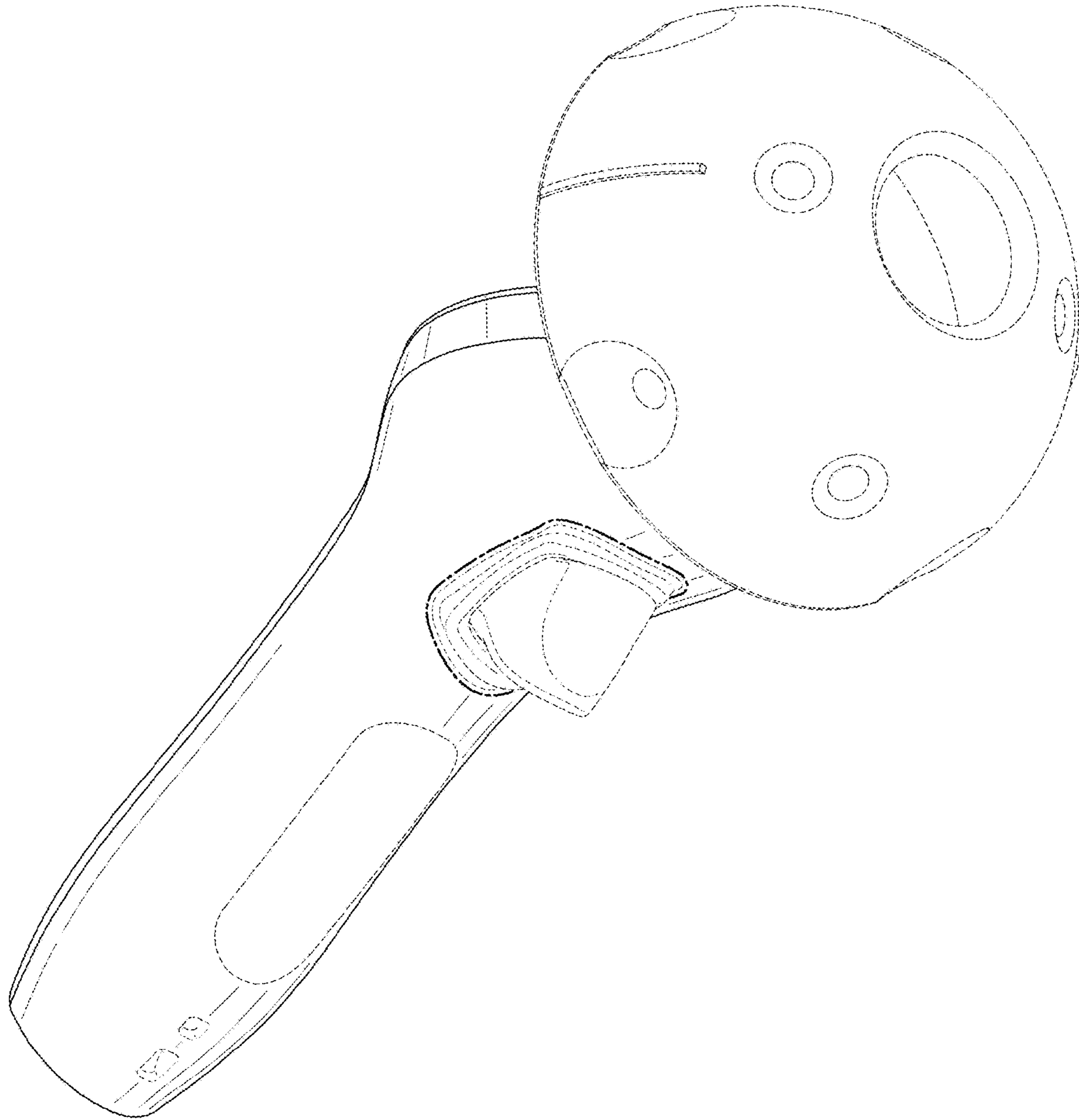


FIG. 2

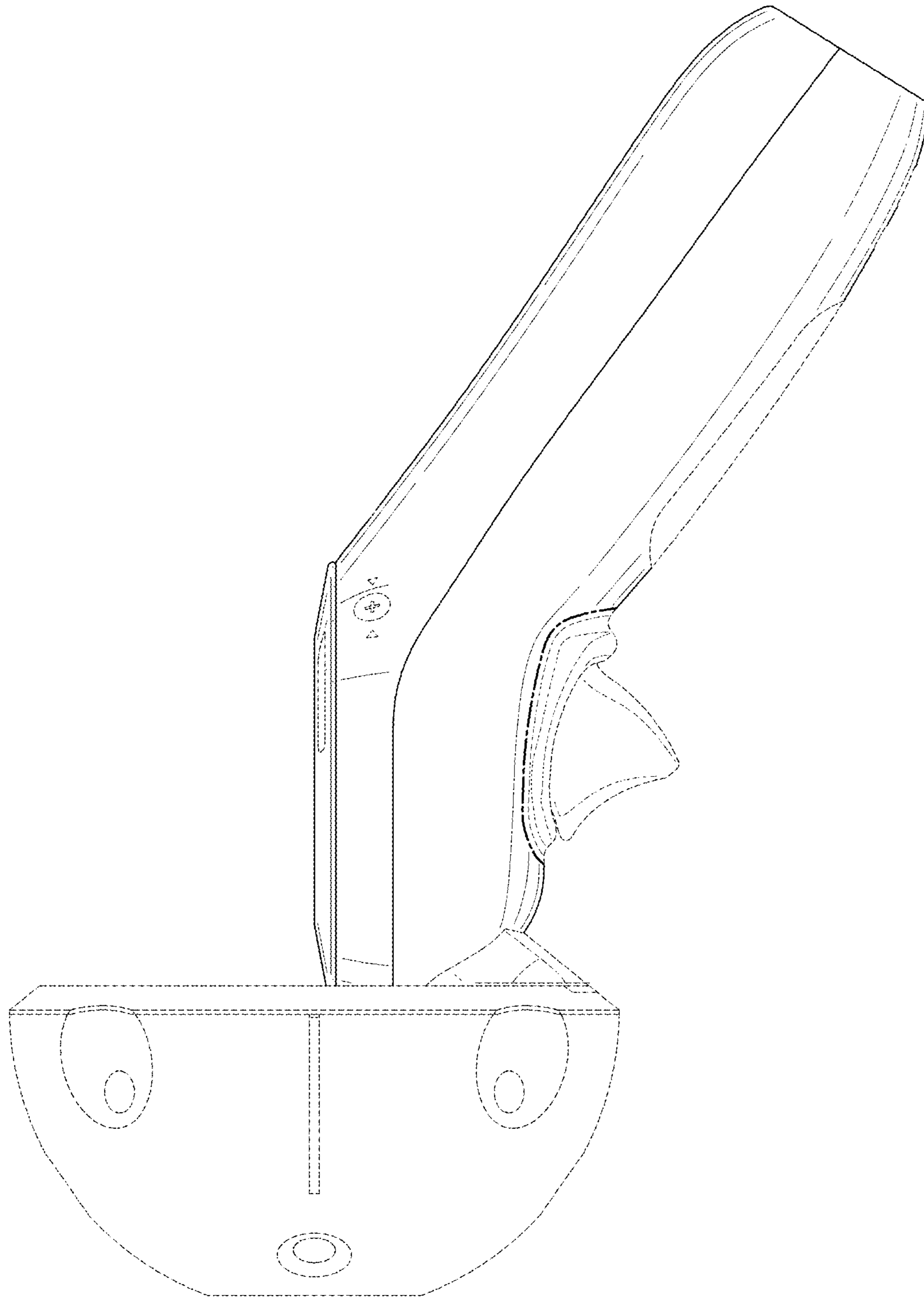


FIG. 3

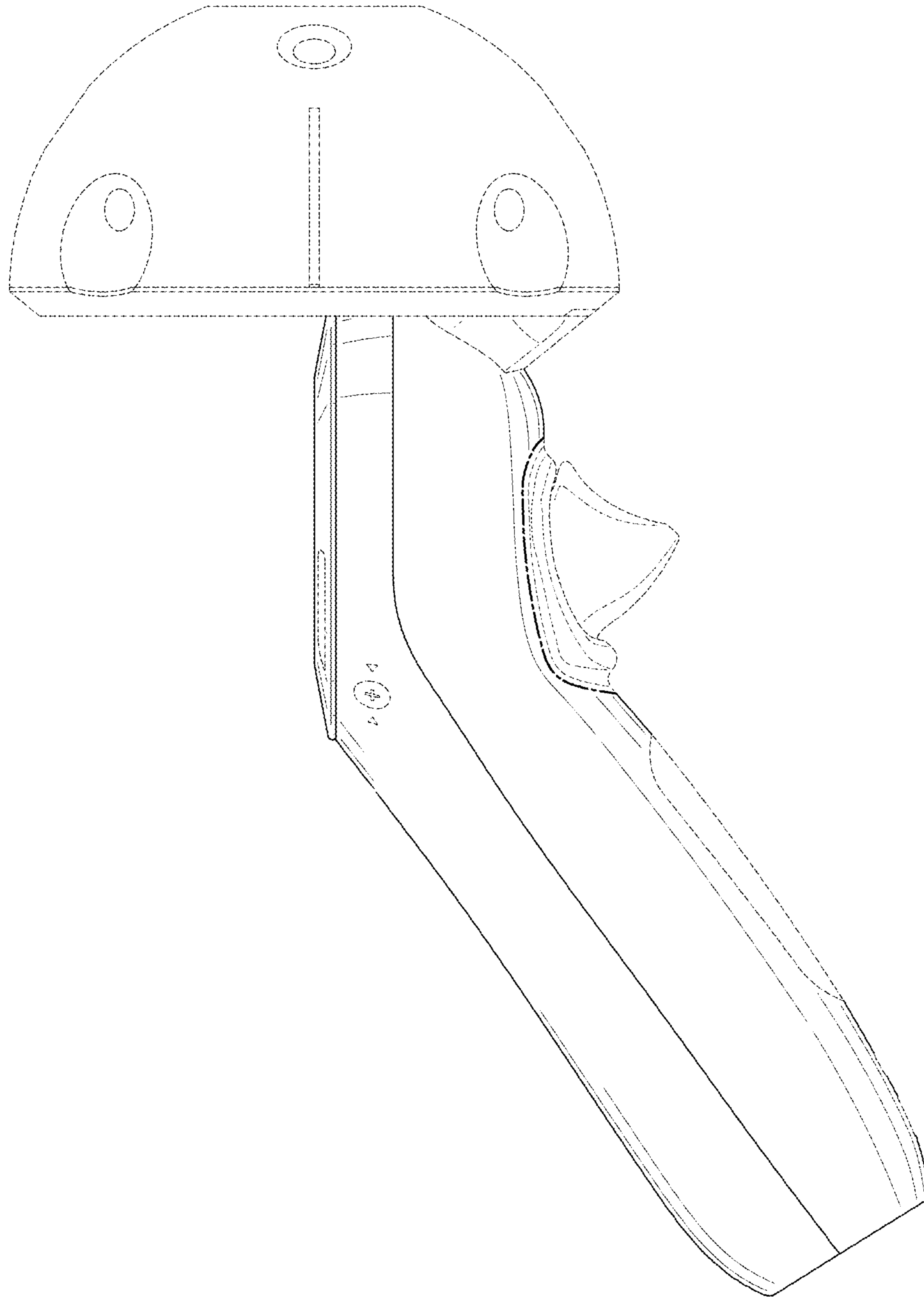


FIG. 4

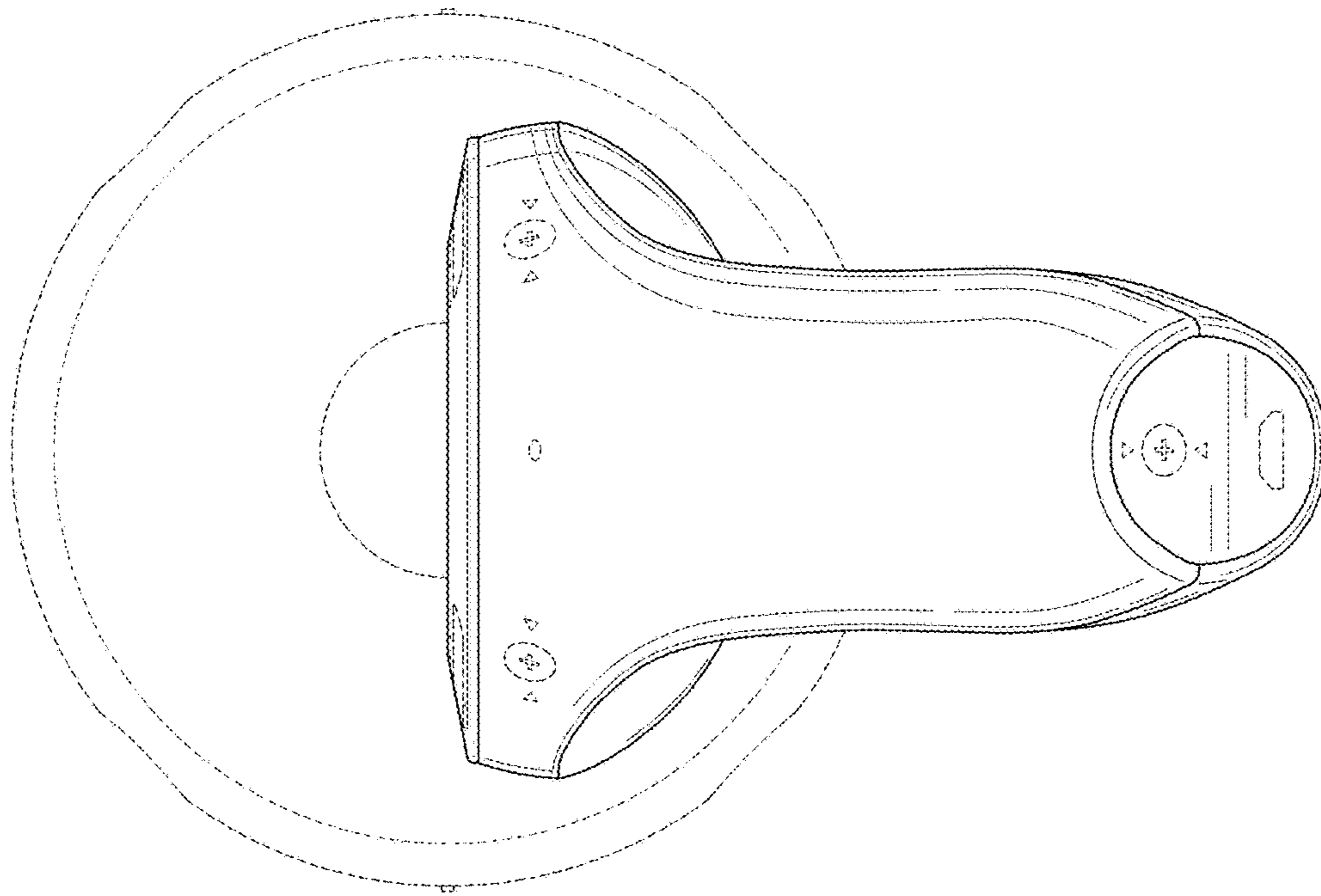


FIG. 6

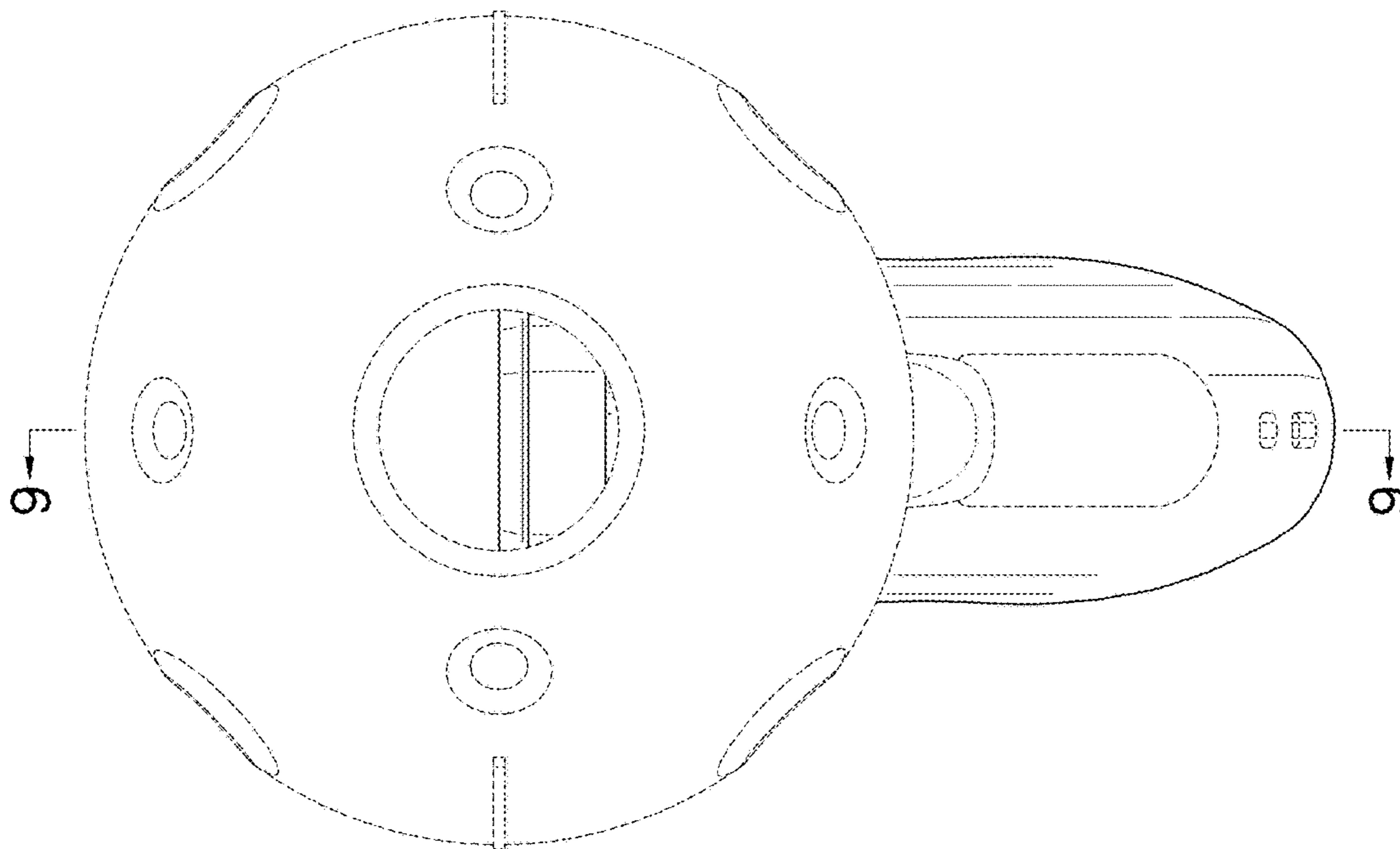


FIG. 5

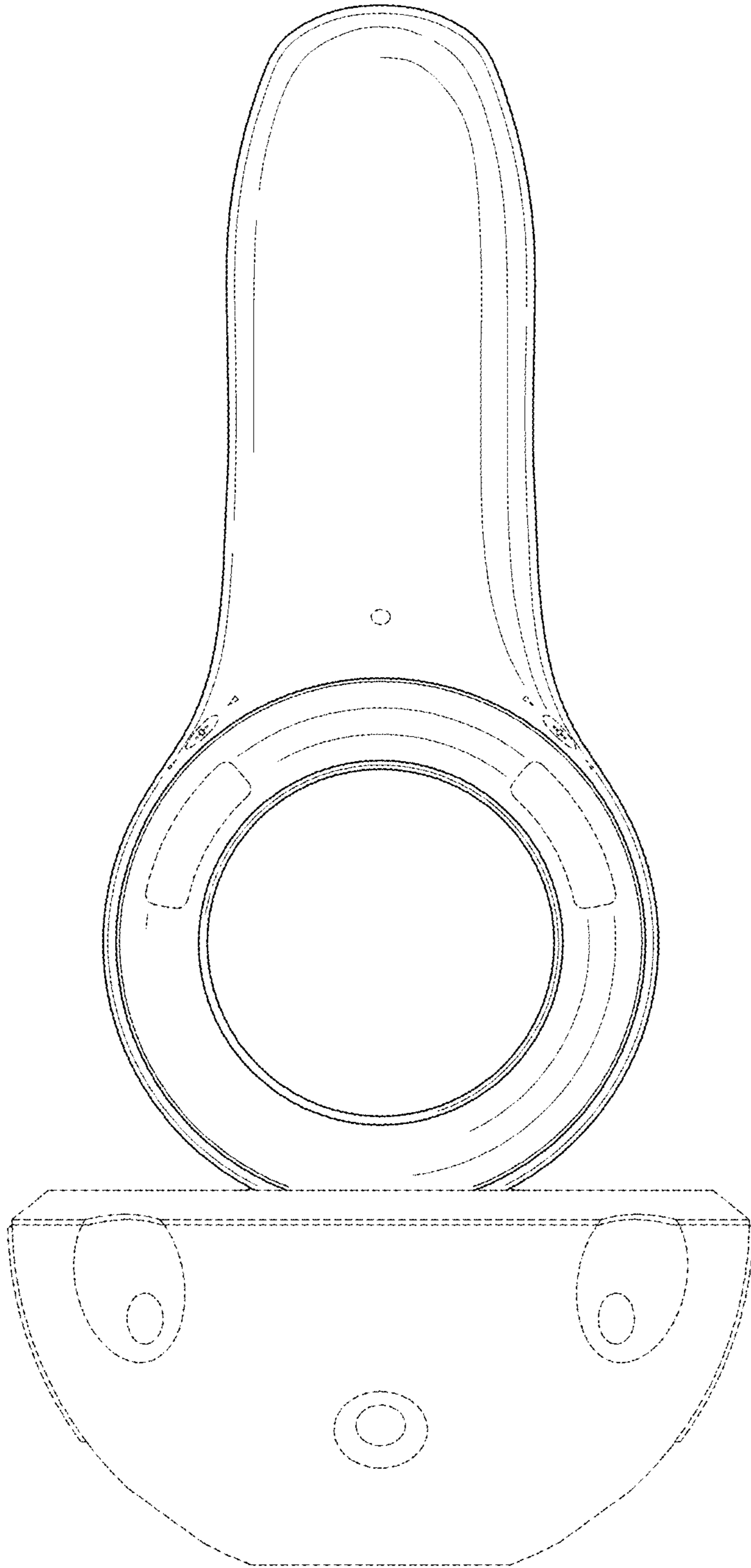


FIG. 7

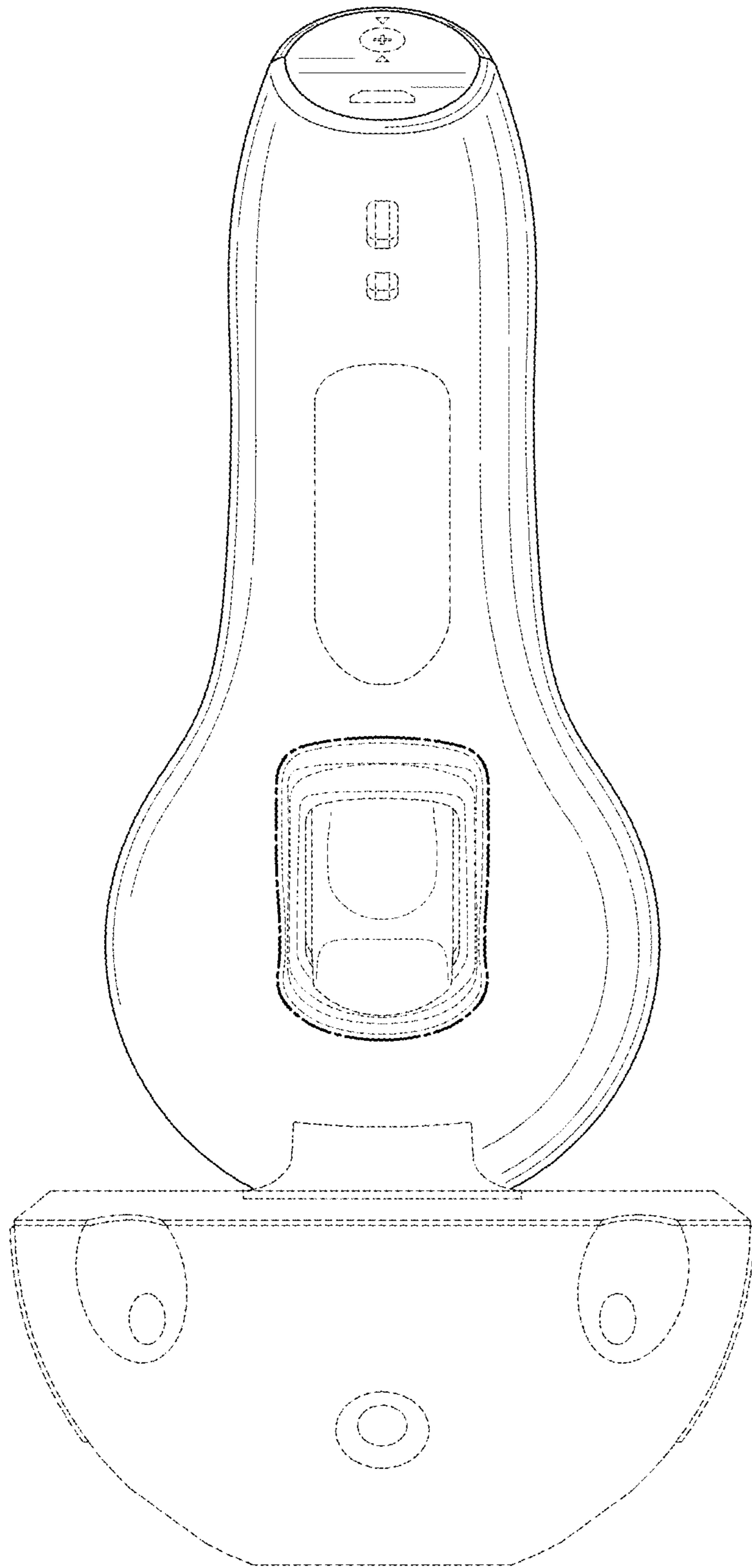


FIG. 8

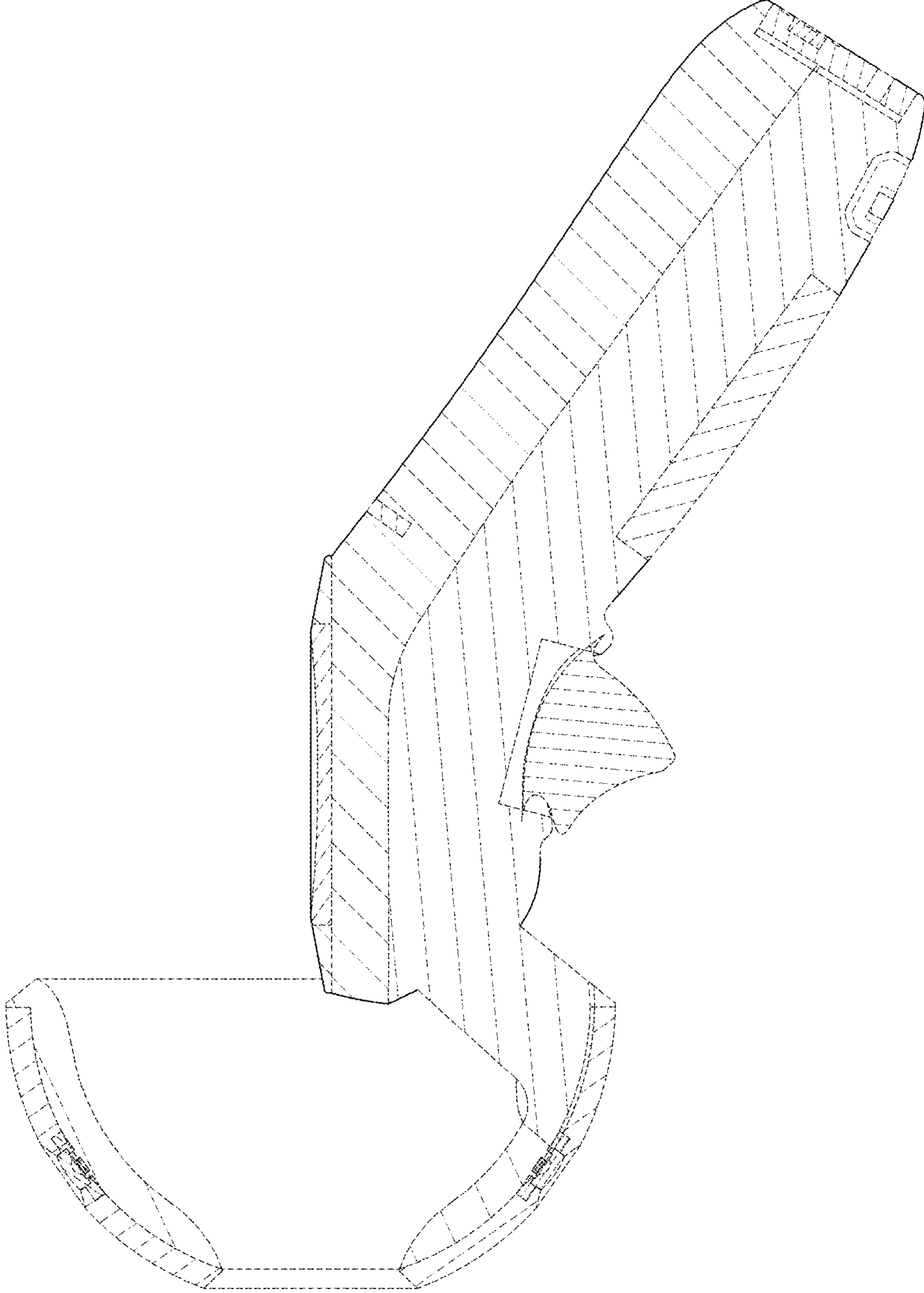


FIG. 9