



US00D899420S

(12) **United States Design Patent** (10) **Patent No.:** **US D899,420 S**
Richards et al. (45) **Date of Patent:** **** Oct. 20, 2020**

(54) **MOBILE RADIO CONTROL HEAD**

(71) Applicant: **MOTOROLA SOLUTIONS, INC.**,
Chicago, IL (US)

(72) Inventors: **Scott H. Richards**, Plantation, FL (US);
Michael Page, Miami, FL (US); **Boon
Aik Eeo**, Bayan Lepas (MY)

(73) Assignee: **MOTOROLA SOLUTIONS, INC.**,
Chicago, IL (US)

(**) Term: **15 Years**

(21) Appl. No.: **29/693,459**

(22) Filed: **Jun. 3, 2019**

(51) **LOC (12) Cl.** **14-03**

(52) **U.S. Cl.**
USPC **D14/258**

(58) **Field of Classification Search**

USPC D12/192, 195, 415, 420; D14/496,
D14/498-511, 137, 154, 157, 168-171,
D14/188-198, 257-258; 248/27.1, 27.3,
248/558; 455/347, 350

CPC B60R 11/02; B60K 37/04; B60K 37/06;
B60K 35/00; H04B 1/08; H04B 1/082

See application file for complete search history.

(56) **References Cited**

U.S. PATENT DOCUMENTS

D365,568 S	*	12/1995	Tokiyama	D14/258
D483,344 S	*	12/2003	Escorcia	D14/157
D486,135 S	*	2/2004	Hori	D14/157
D487,073 S	*	2/2004	Hori	D14/157
D495,314 S	*	8/2004	Mizokawa	D14/157
D495,315 S	*	8/2004	Mizokawa	D14/157
D514,077 S	*	1/2006	Haase	D14/137
D533,536 S	*	12/2006	Mizokawa	D14/157

(Continued)

Primary Examiner — Sandra L Morris

(74) *Attorney, Agent, or Firm* — Raguraman Kumaresan

(57) **CLAIM**

The ornamental design for a mobile radio control head, as shown and described.

DESCRIPTION

FIG. 1 is a top front perspective view of a first embodiment of an ornamental design for a mobile radio control head; FIG. 2 is a bottom front perspective view of the first embodiment thereof;

FIG. 3 is a front view of the first embodiment thereof;

FIG. 4 is a rear view of the first embodiment thereof;

FIG. 5 is a top view of the first embodiment thereof;

FIG. 6 is a bottom view of the first embodiment thereof;

FIG. 7 is a first side view of the first embodiment thereof; and

FIG. 8 is a second side view of the first embodiment thereof.

FIG. 9 is a top front perspective view of a second embodiment of an ornamental design for a mobile radio control head;

FIG. 10 is a bottom front perspective view of the second embodiment thereof;

FIG. 11 is a front view of the second embodiment thereof;

FIG. 12 is a rear view of the second embodiment thereof;

FIG. 13 is a top view of the second embodiment thereof;

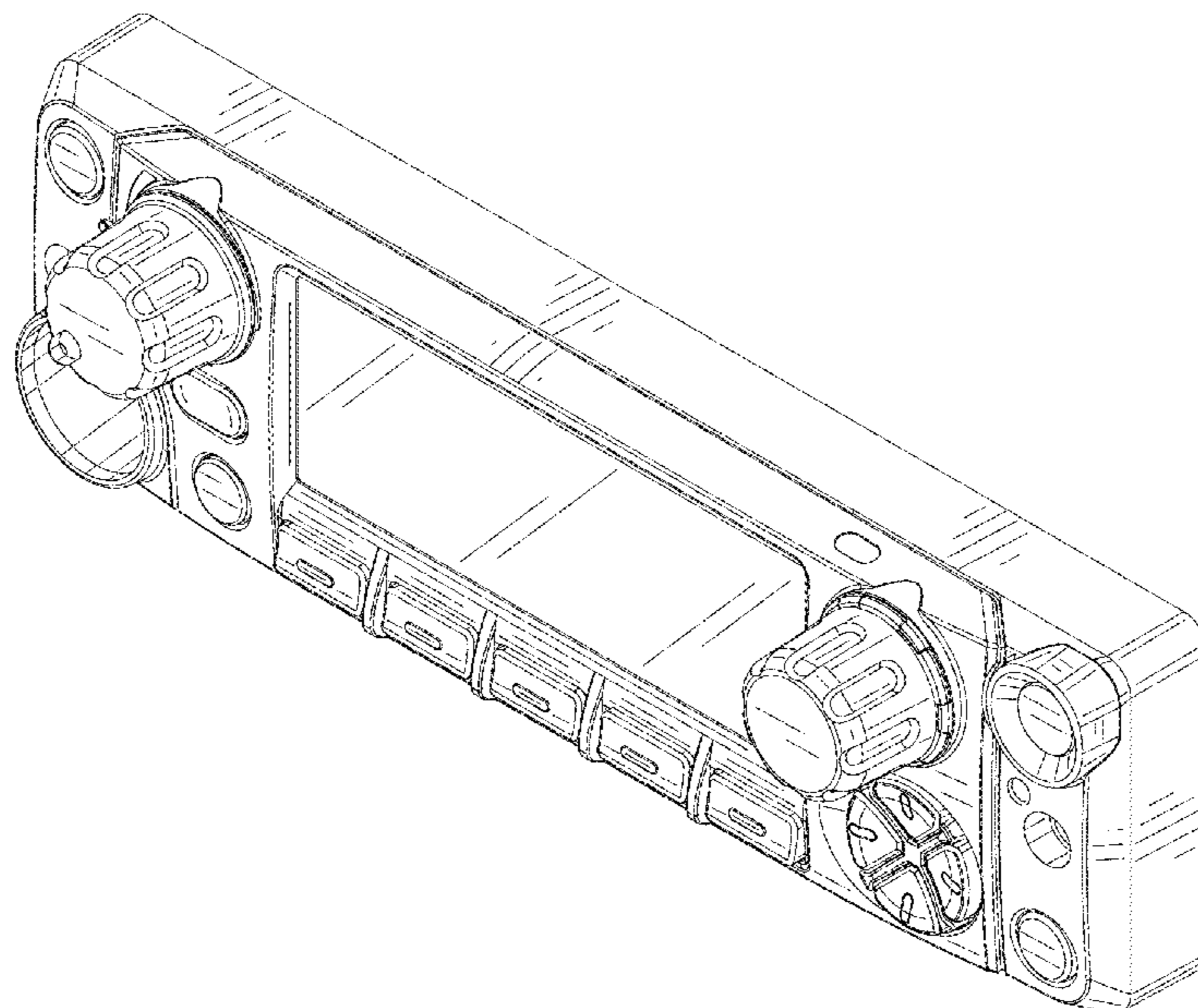
FIG. 14 is a bottom view of the second embodiment thereof;

FIG. 15 is a first side view of the second embodiment thereof; and,

FIG. 16 is a second side view of the second embodiment thereof.

The broken lines shown in FIGS. 1-8, that are immediately adjacent to the shaded areas, and define the unshaded regions, are for illustrative purposes only; the portions shown in broken lines form part of the article but do not form part of the claimed design.

1 Claim, 12 Drawing Sheets



(56)

References Cited

U.S. PATENT DOCUMENTS

D533,860 S	*	12/2006	Mizokawa	D14/157
D538,798 S	*	3/2007	Kimura	D14/258
D561,753 S	*	2/2008	Riede	D14/257
D566,684 S	*	4/2008	Kimura	D14/157
D678,266 S		3/2013	Tran et al.	
D742,369 S	*	11/2015	Nishizawa	D14/257
D817,318 S	*	5/2018	Suzuki	D14/258

* cited by examiner

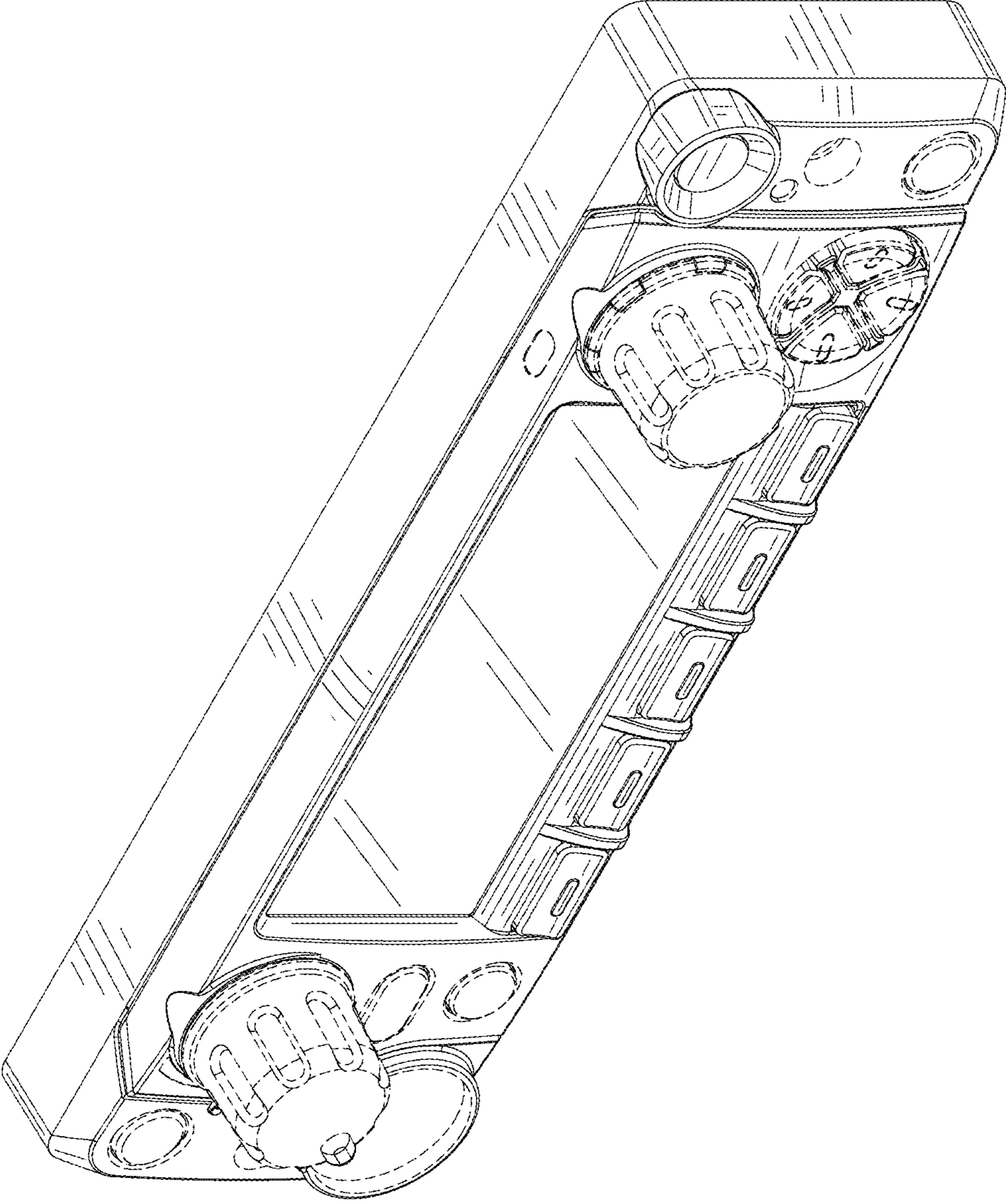


FIG. 1

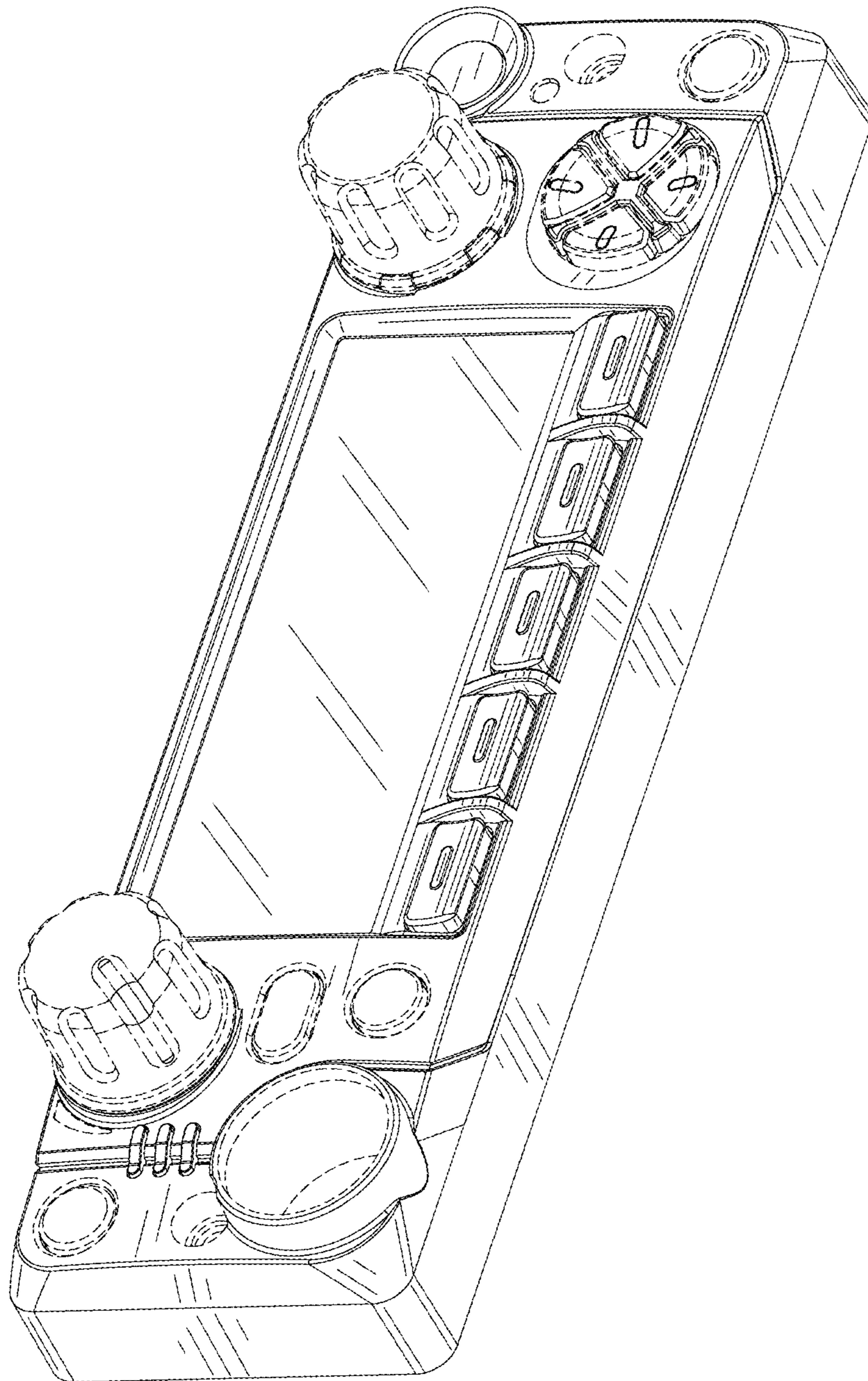


FIG. 2

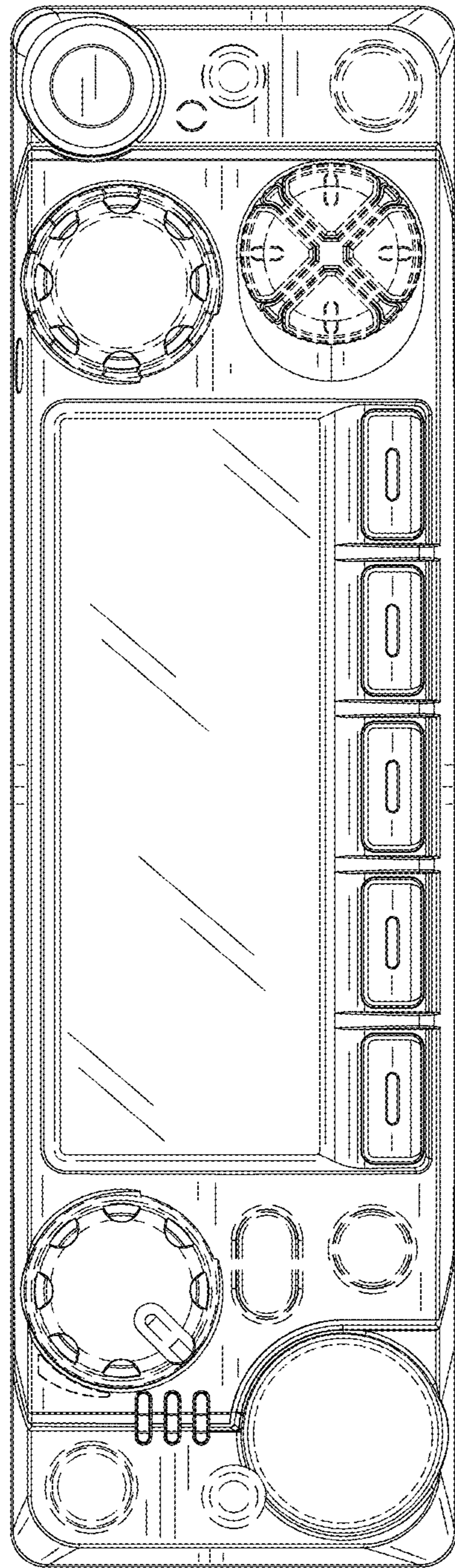


FIG. 3

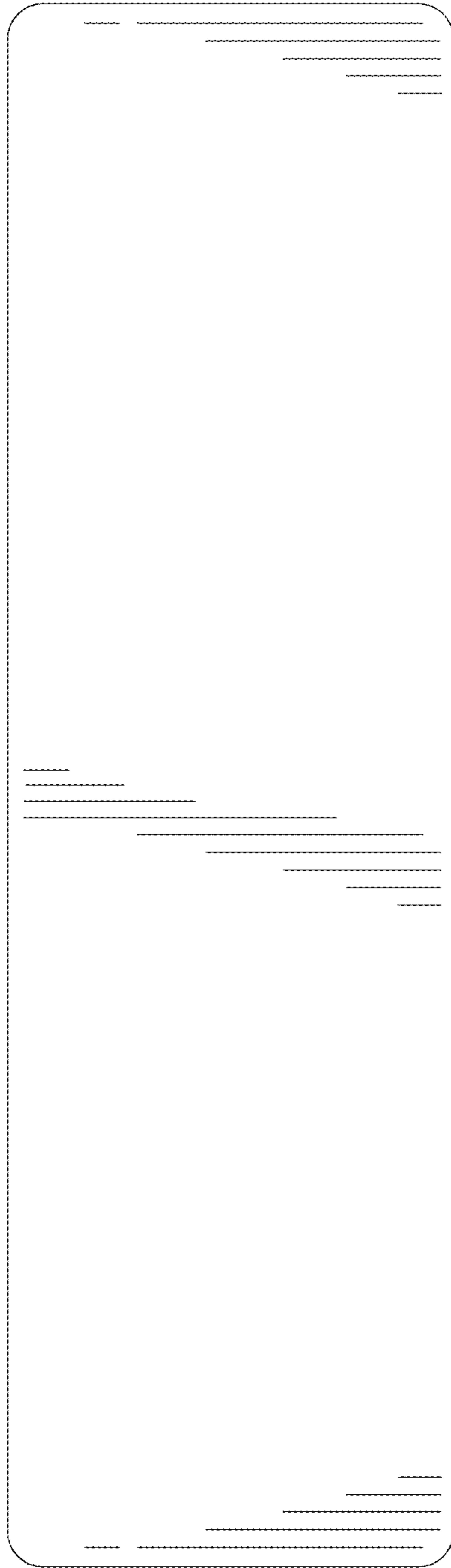


FIG. 4

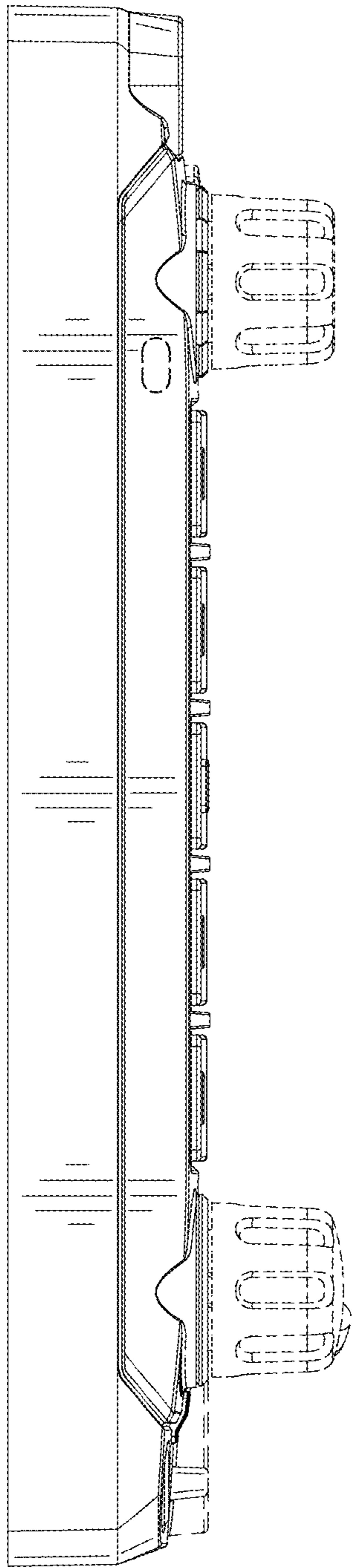


FIG. 5

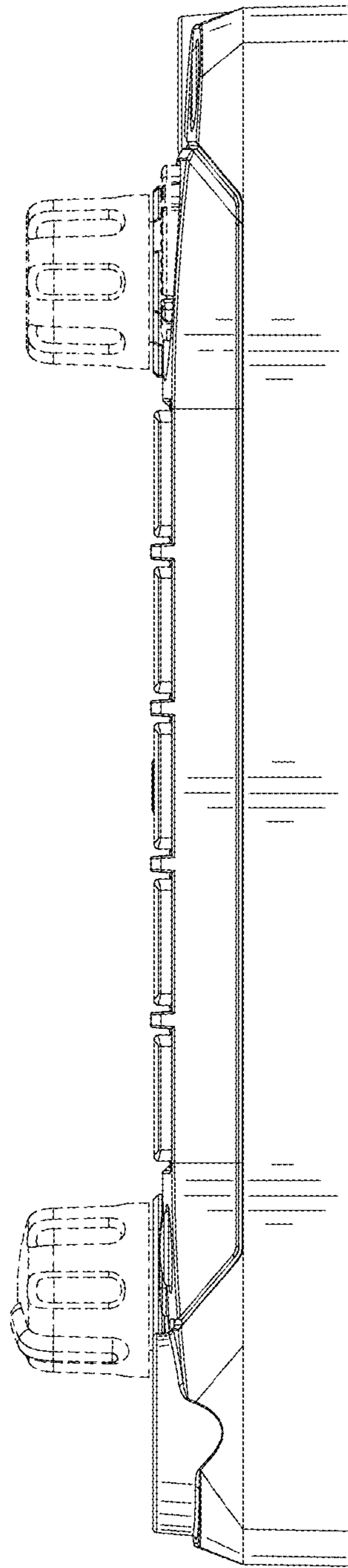


FIG. 6

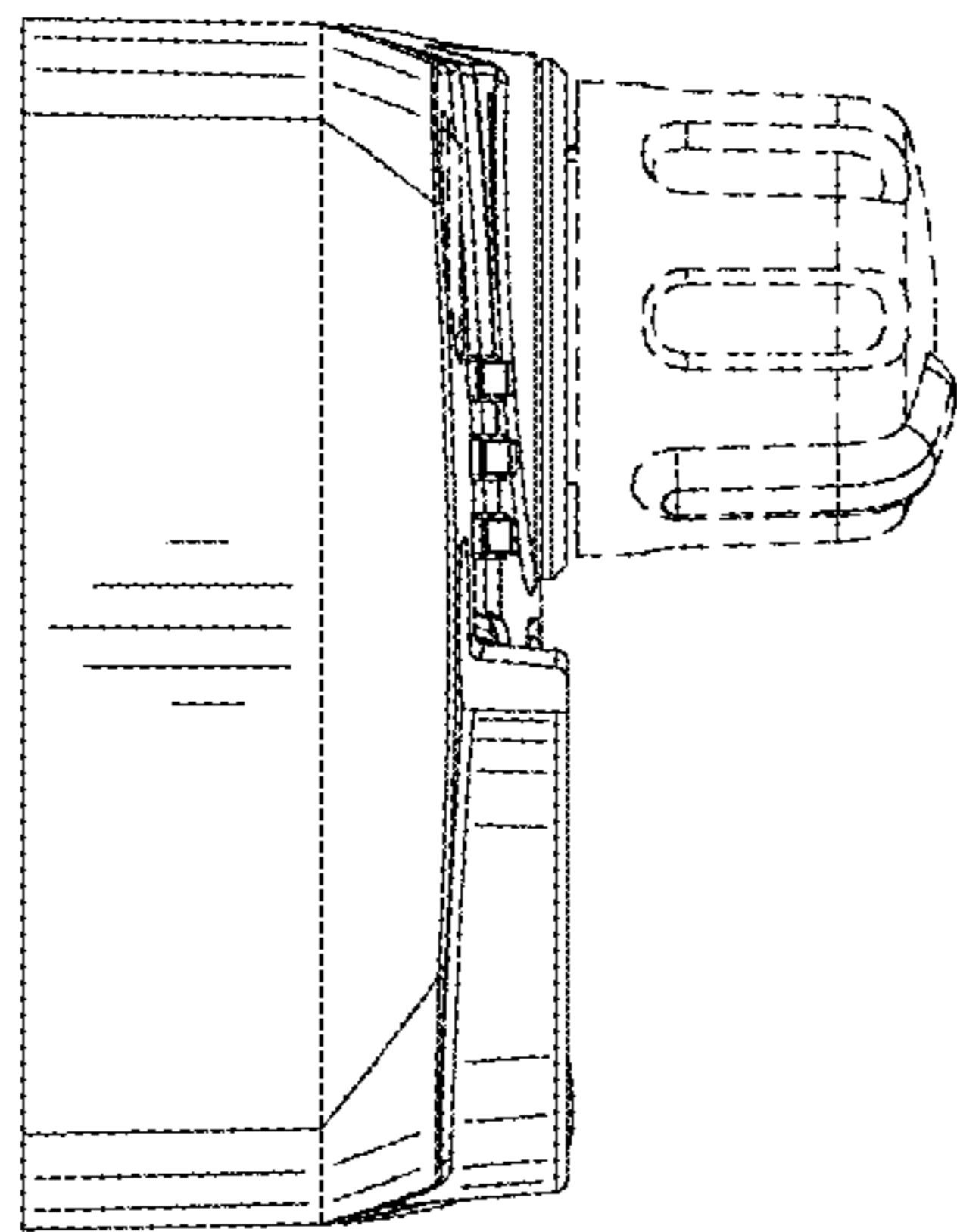


FIG. 7

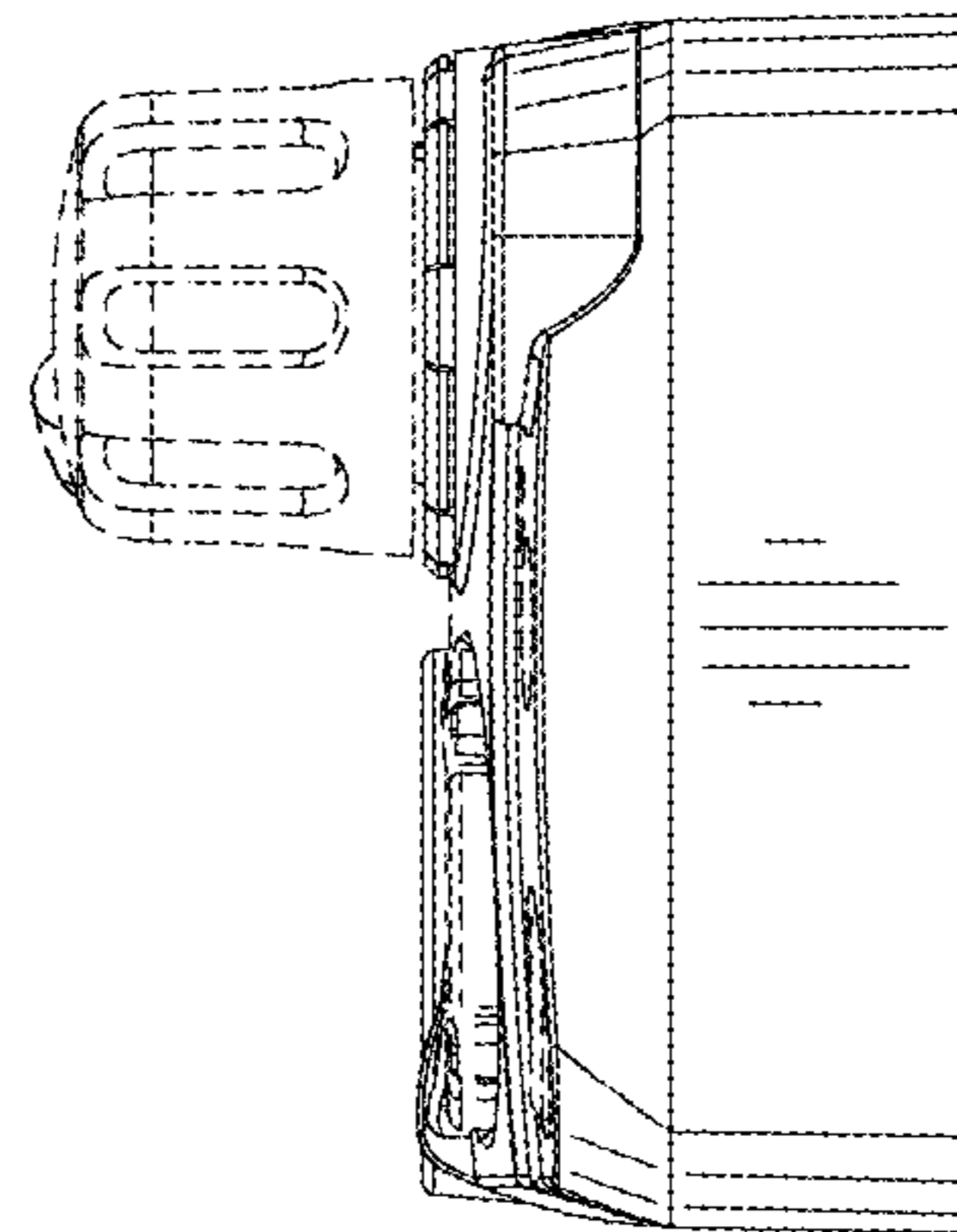


FIG. 8

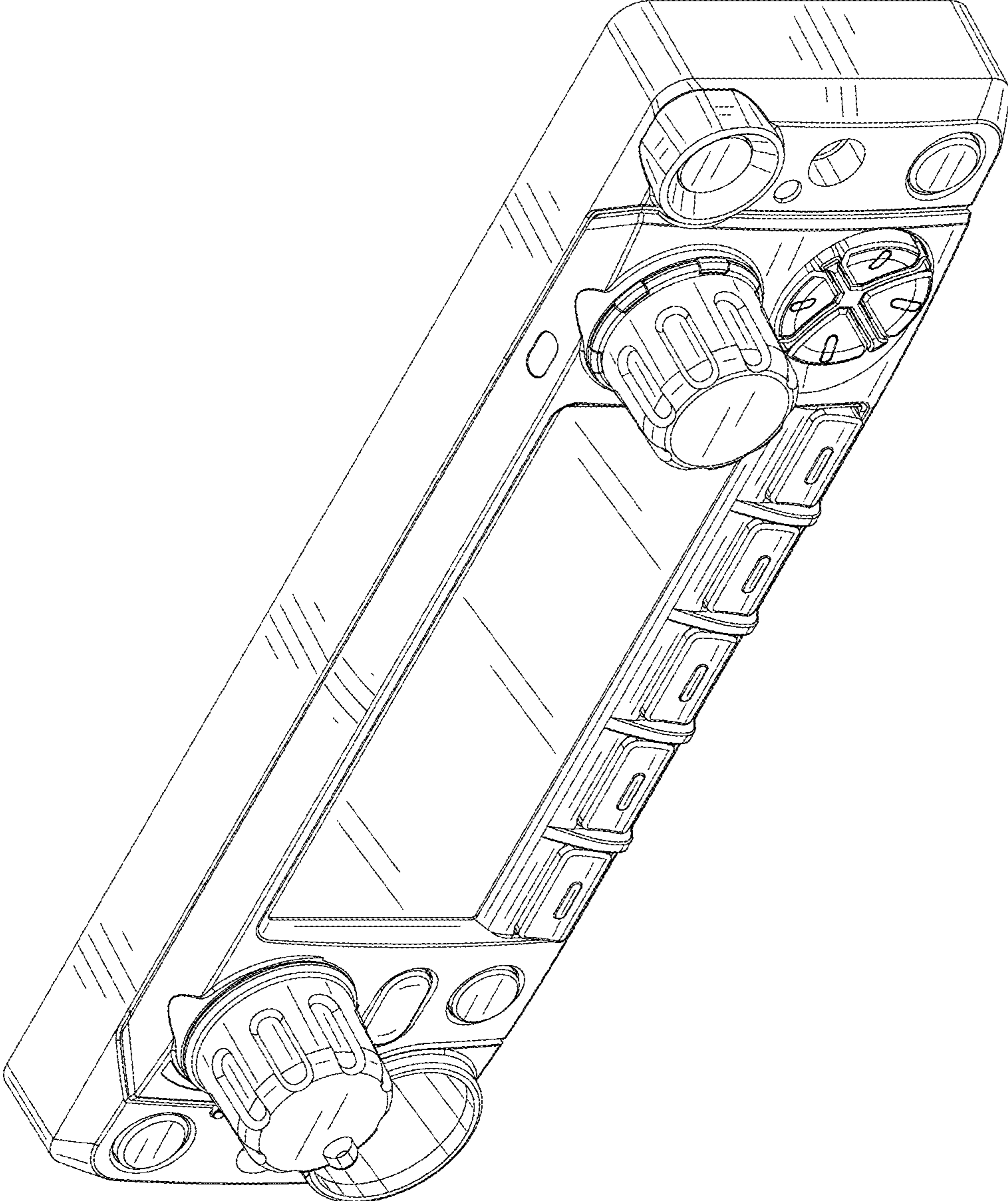


FIG. 9

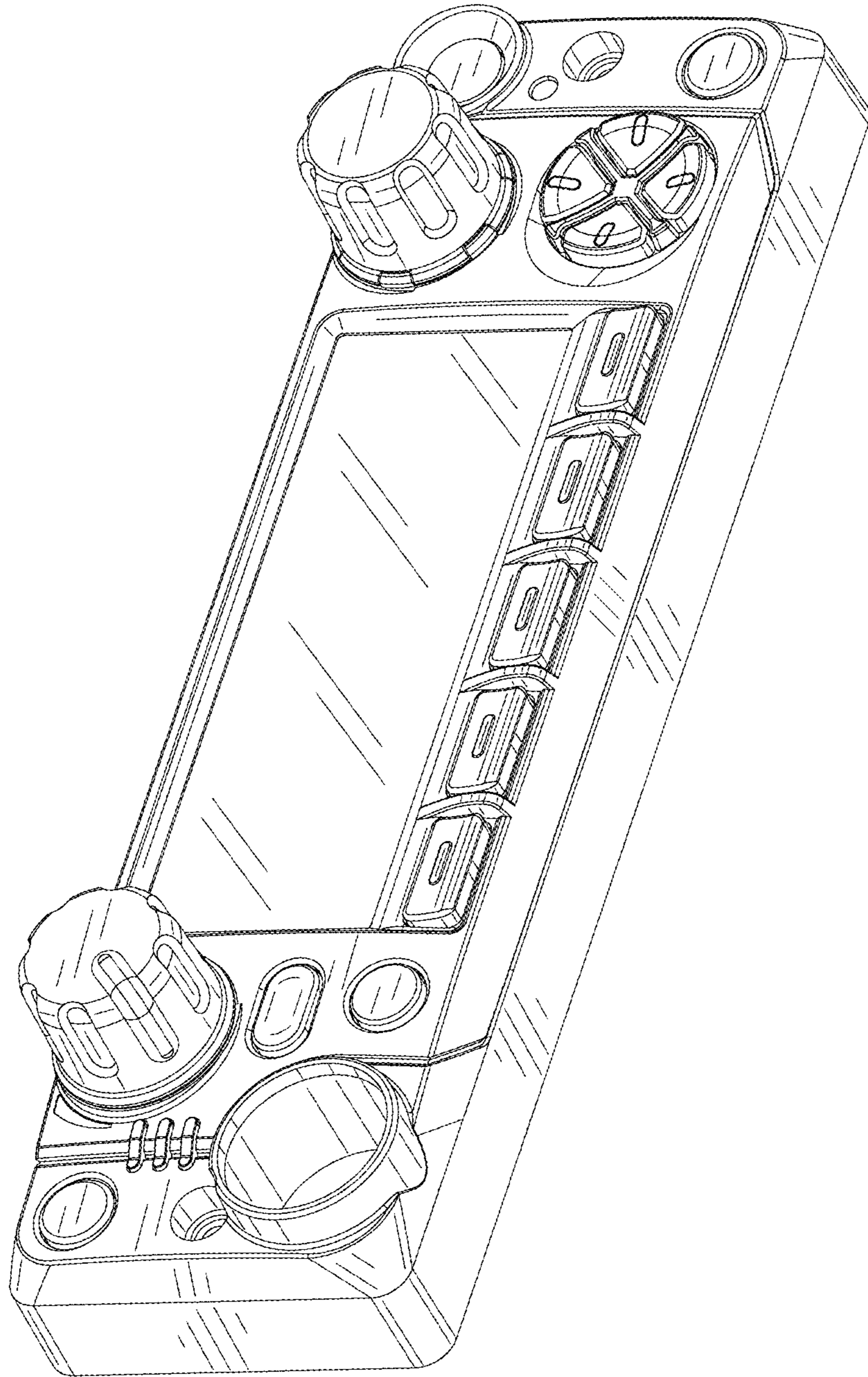


FIG. 10

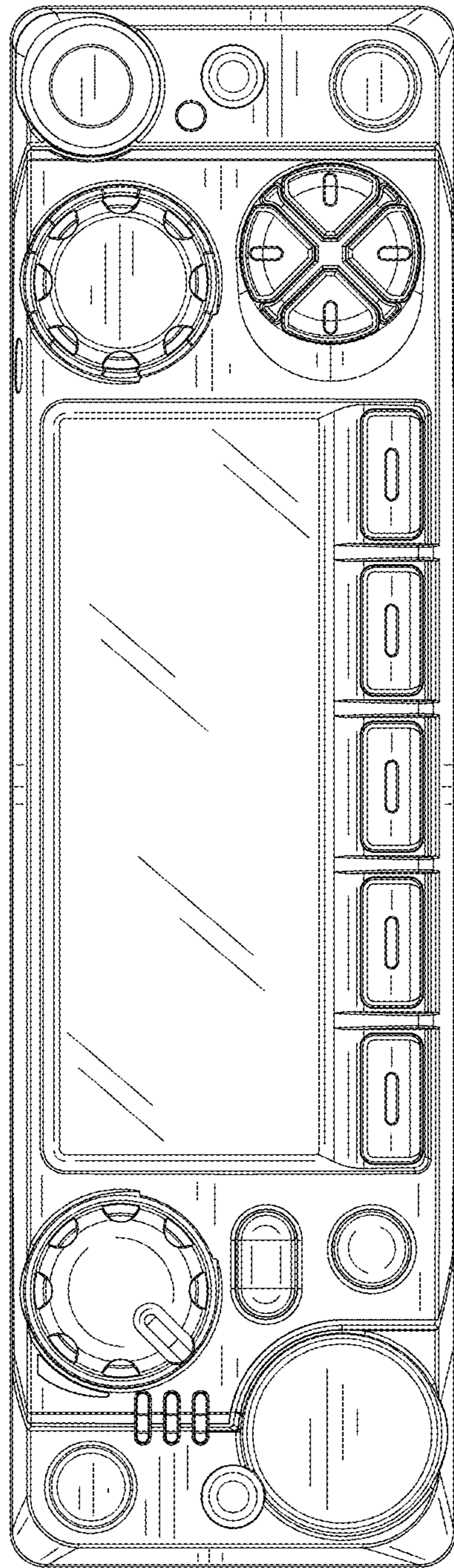


FIG. 11

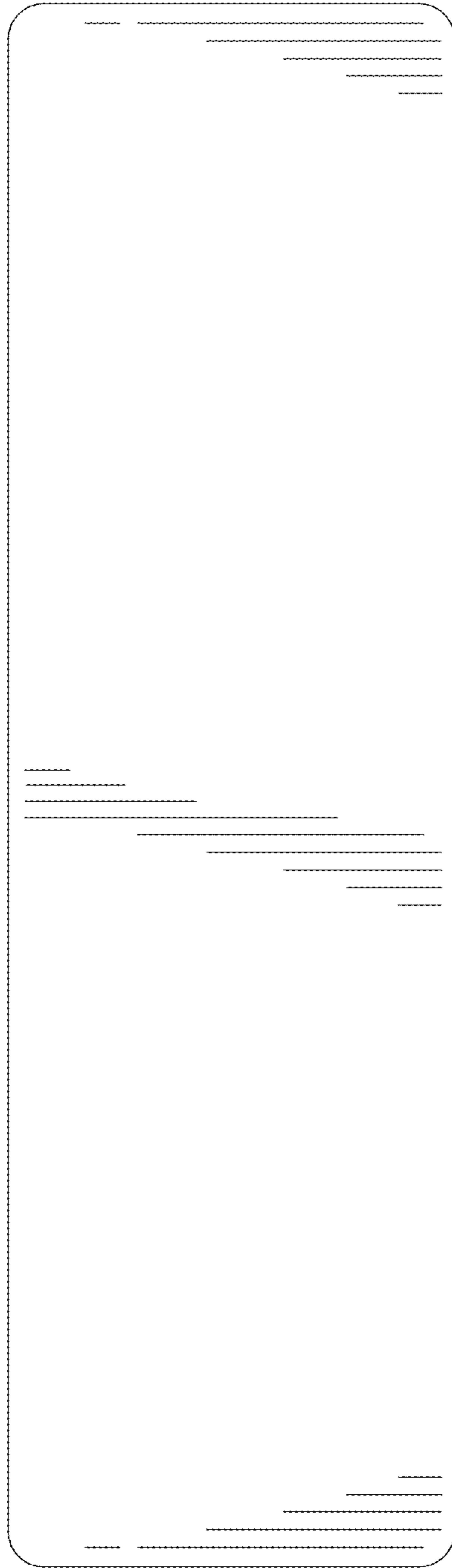


FIG. 12

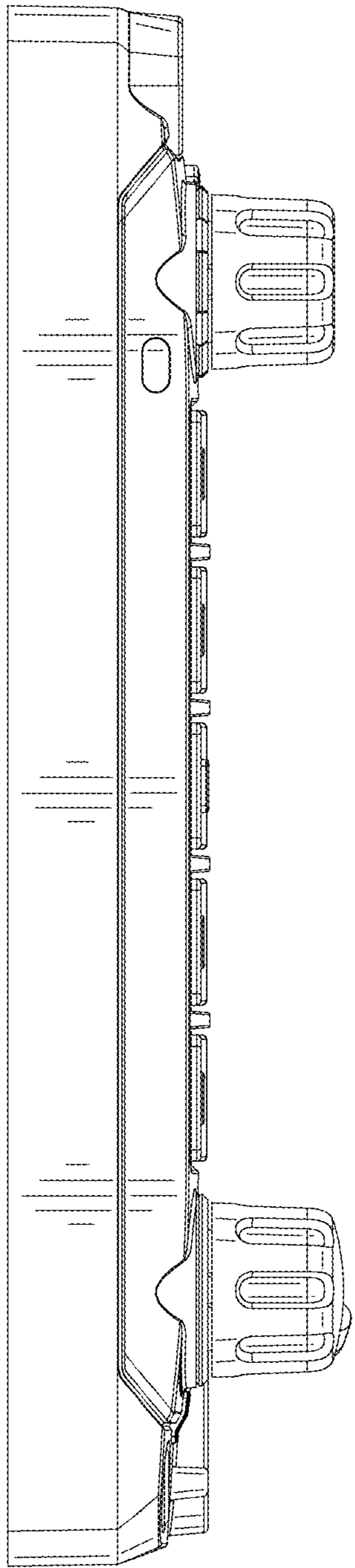


FIG. 13

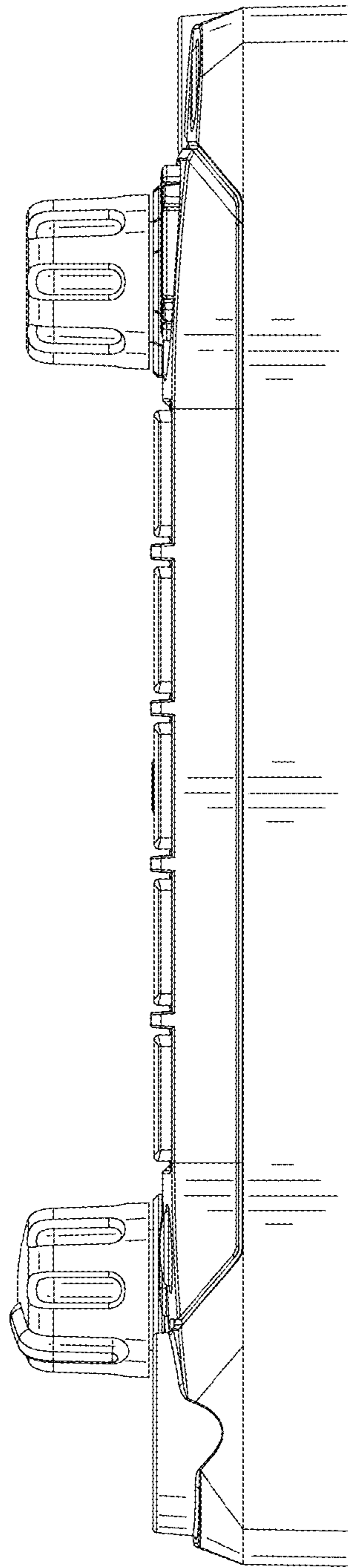


FIG. 14

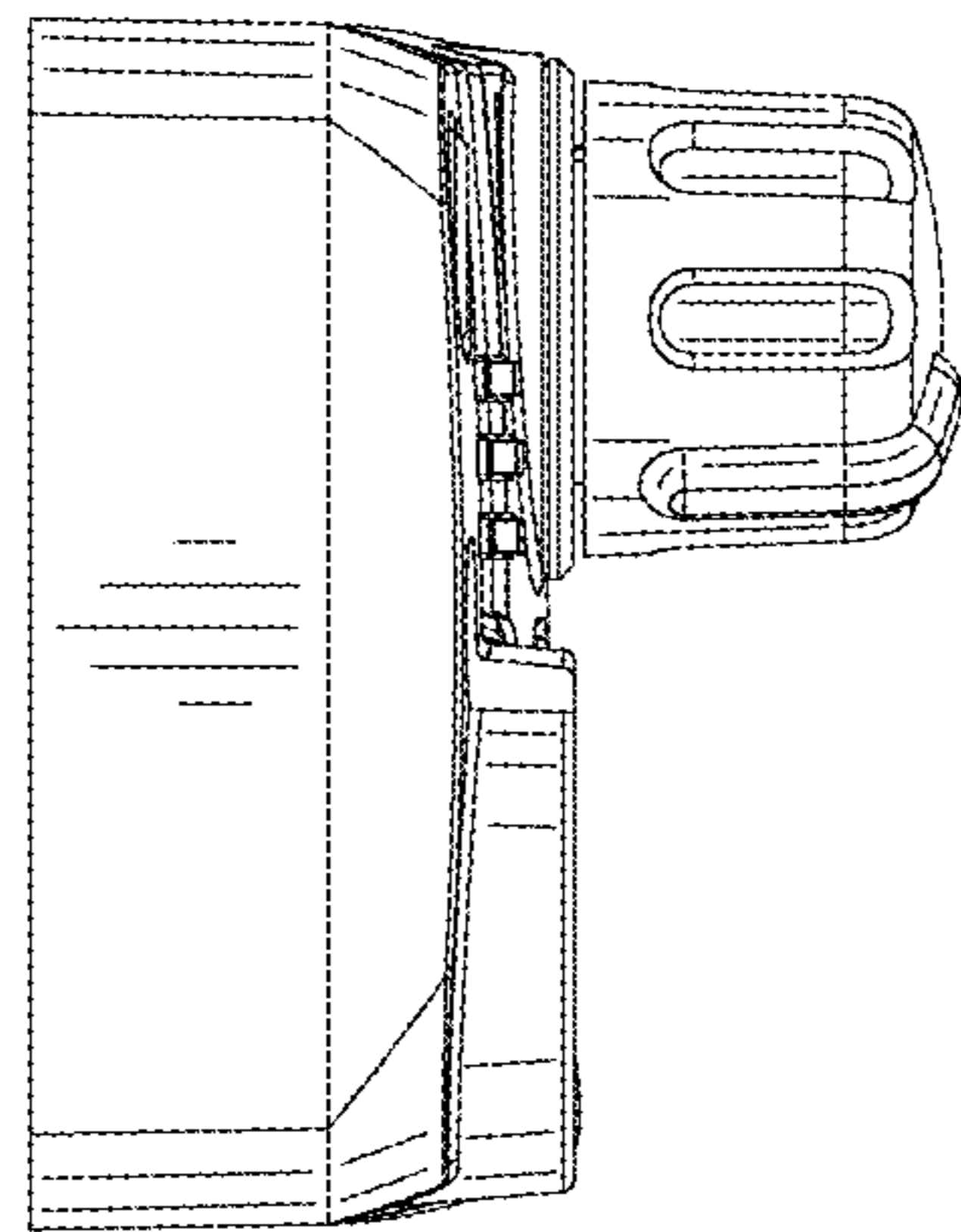


FIG. 15

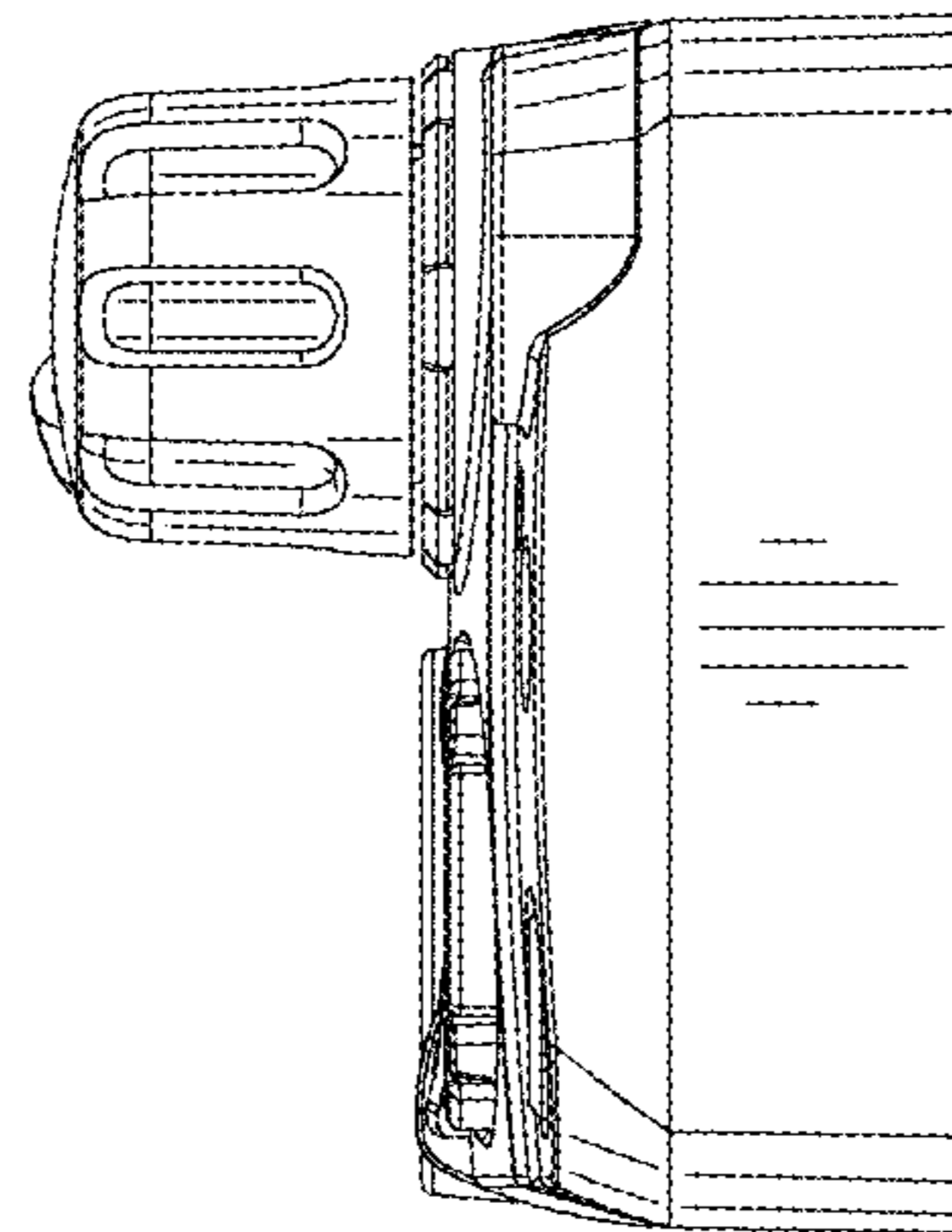


FIG. 16