



US00D899419S

(12) **United States Design Patent**
Liao

(10) **Patent No.:** **US D899,419 S**
(45) **Date of Patent:** **** Oct. 20, 2020**

(54) **MOBILE PHONE STAND**

(71) Applicant: **DONGGUAN CHUANG LONG ELECTRONICS LIMITED,**
Dongguan (CN)

(72) Inventor: **Anzhang Liao,** Dongguan (CN)

(73) Assignee: **DONGGUAN CHUANG LONG ELECTRONICS LIMITED,**
Dongguan (CN)

(**) Term: **15 Years**

(21) Appl. No.: **29/697,146**

(22) Filed: **Jul. 4, 2019**

(51) **LOC (12) Cl.** **14-03**

(52) **U.S. Cl.**
USPC **D14/253**

(58) **Field of Classification Search**
USPC D14/217, 251–253, 447, 452, 432–434,
D14/440; D12/415; D3/218; D8/349,
D8/363, 394–396
CPC H04M 1/02; H04M 1/04; B60R 11/02;
F16M 11/00; F16M 11/04; F16M 11/06;
F16M 13/02; F16M 13/00; H05K 7/00;
H05K 5/02; A47G 1/17

See application file for complete search history.

(56) **References Cited**

U.S. PATENT DOCUMENTS

D781,297 S * 3/2017 Liao D14/447
D783,013 S * 4/2017 Chun D14/253

D789,920 S * 6/2017 Zhang D14/253
D799,466 S * 10/2017 Sukphist D14/253
D826,918 S * 8/2018 Lebovitz D14/253
D840,999 S * 2/2019 Hu D14/253
D845,961 S * 4/2019 Yao D14/447
D891,407 S * 7/2020 Folk D14/240
2016/0318455 A1 * 11/2016 Zhang F16M 11/2007

* cited by examiner

Primary Examiner — Janice Hallmark

(57) **CLAIM**

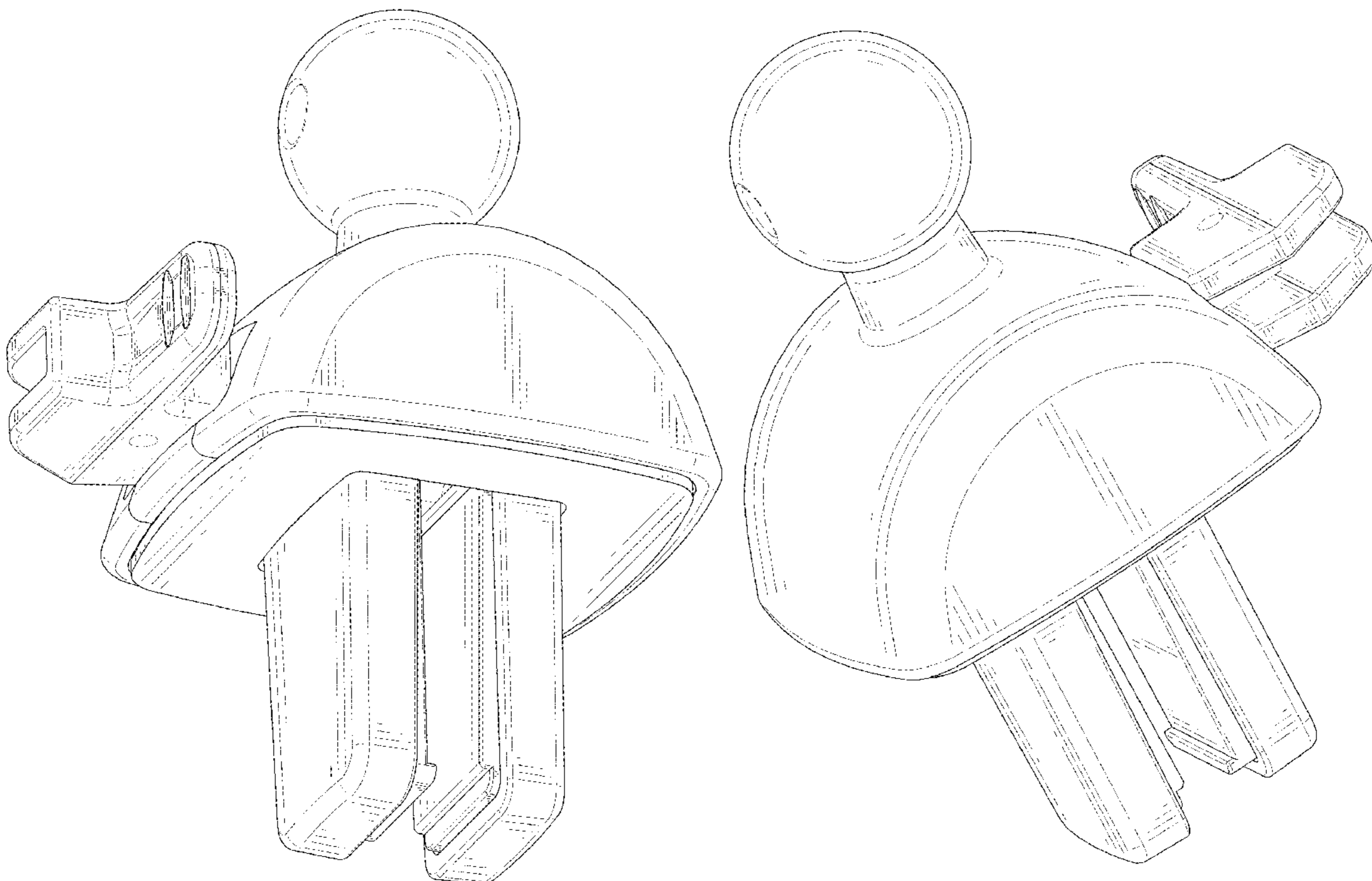
The ornamental design for a mobile phone stand, as shown and described.

DESCRIPTION

FIG. 1 is a perspective view of a mobile phone and showing new design;
FIG. 2 is another perspective view thereof;
FIG. 3 is a front elevational view thereof;
FIG. 4 is a rear elevational view thereof;
FIG. 5 is a left side elevational view thereof;
FIG. 6 is a right side elevational view thereof;
FIG. 7 is a bottom plan view thereof; and,
FIG. 8 is a top plan view thereof.

The broken lines in the drawings depict portions of the mobile phone stand that form no part of the claimed design.

1 Claim, 8 Drawing Sheets



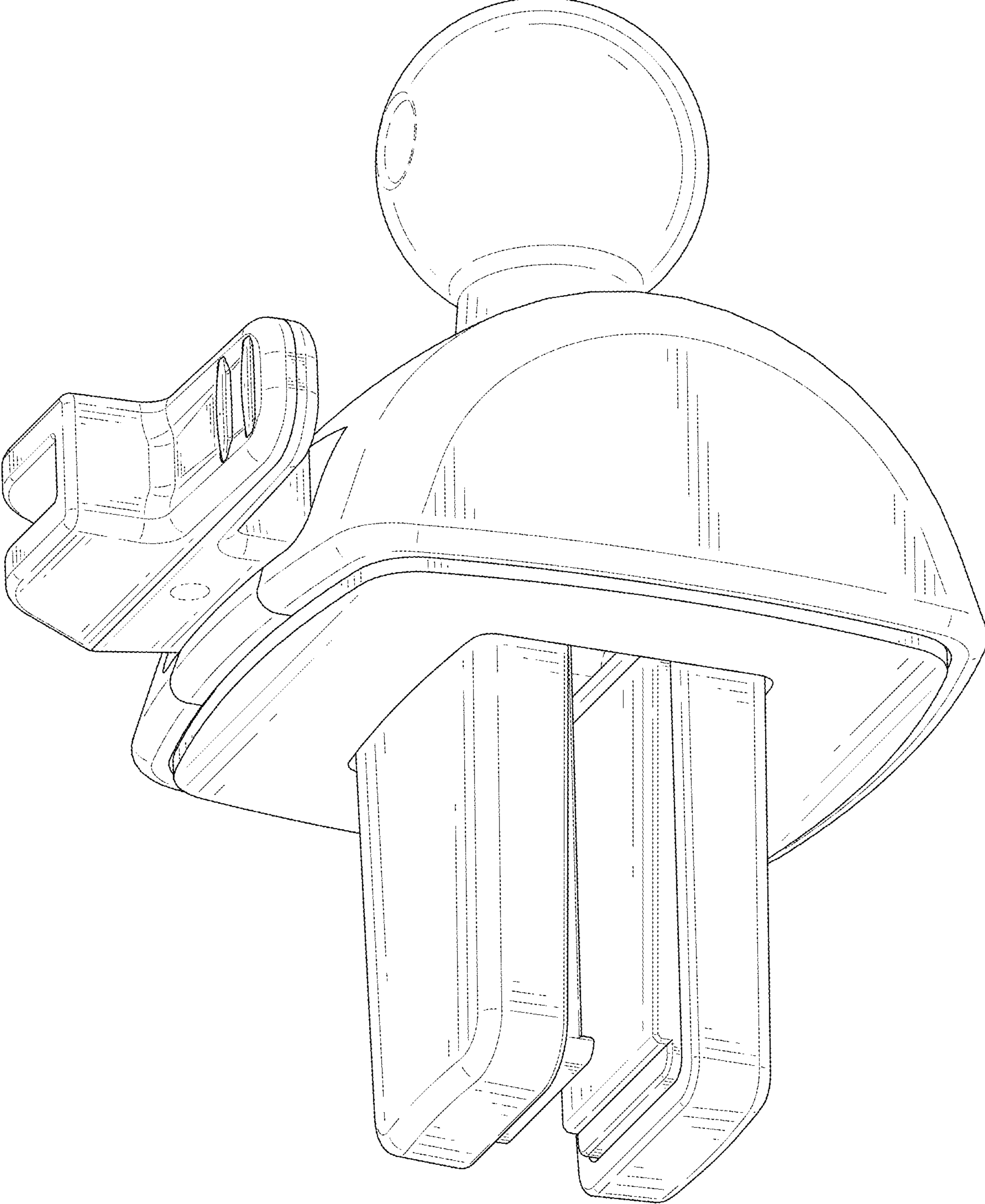


FIG. 1

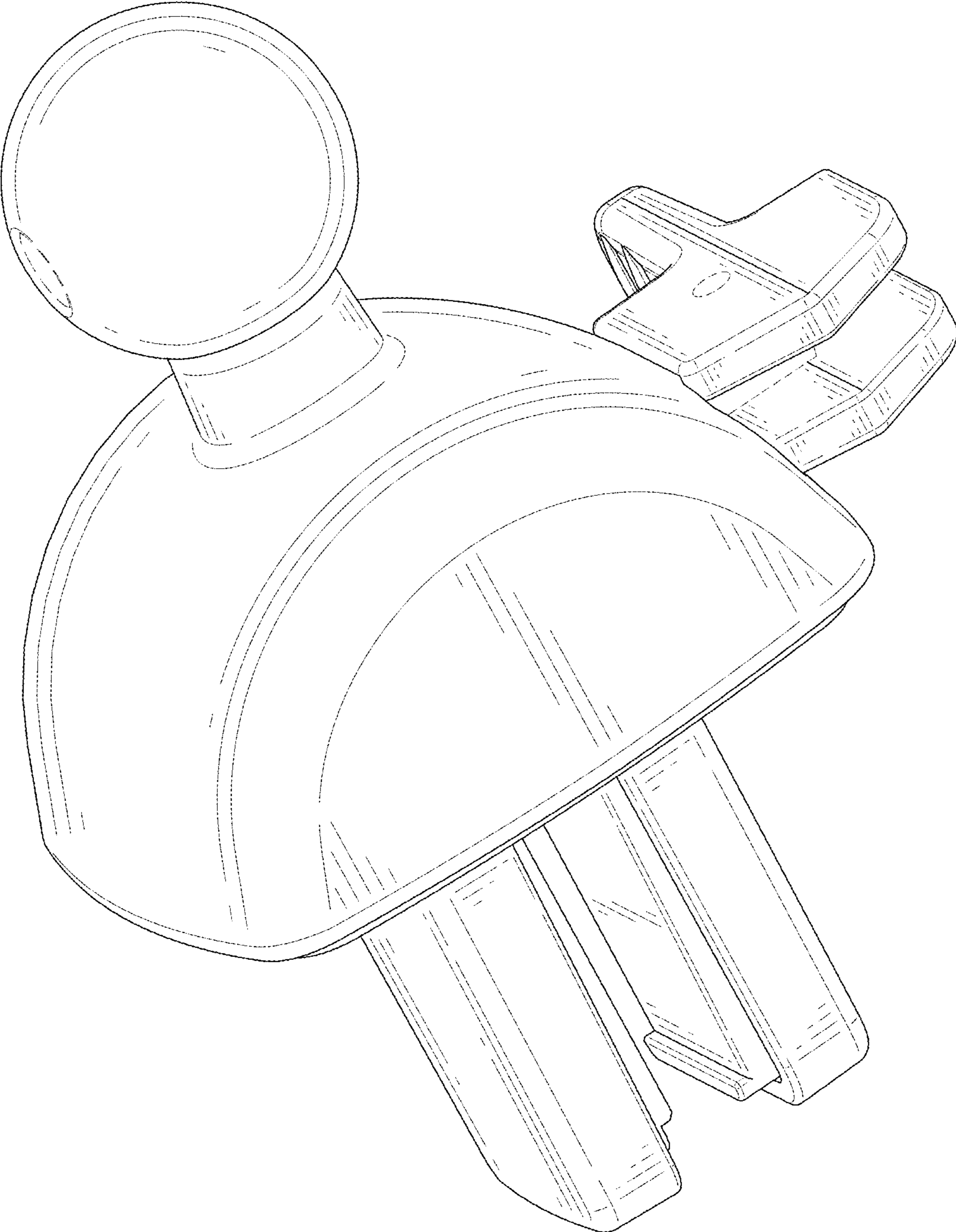


FIG. 2

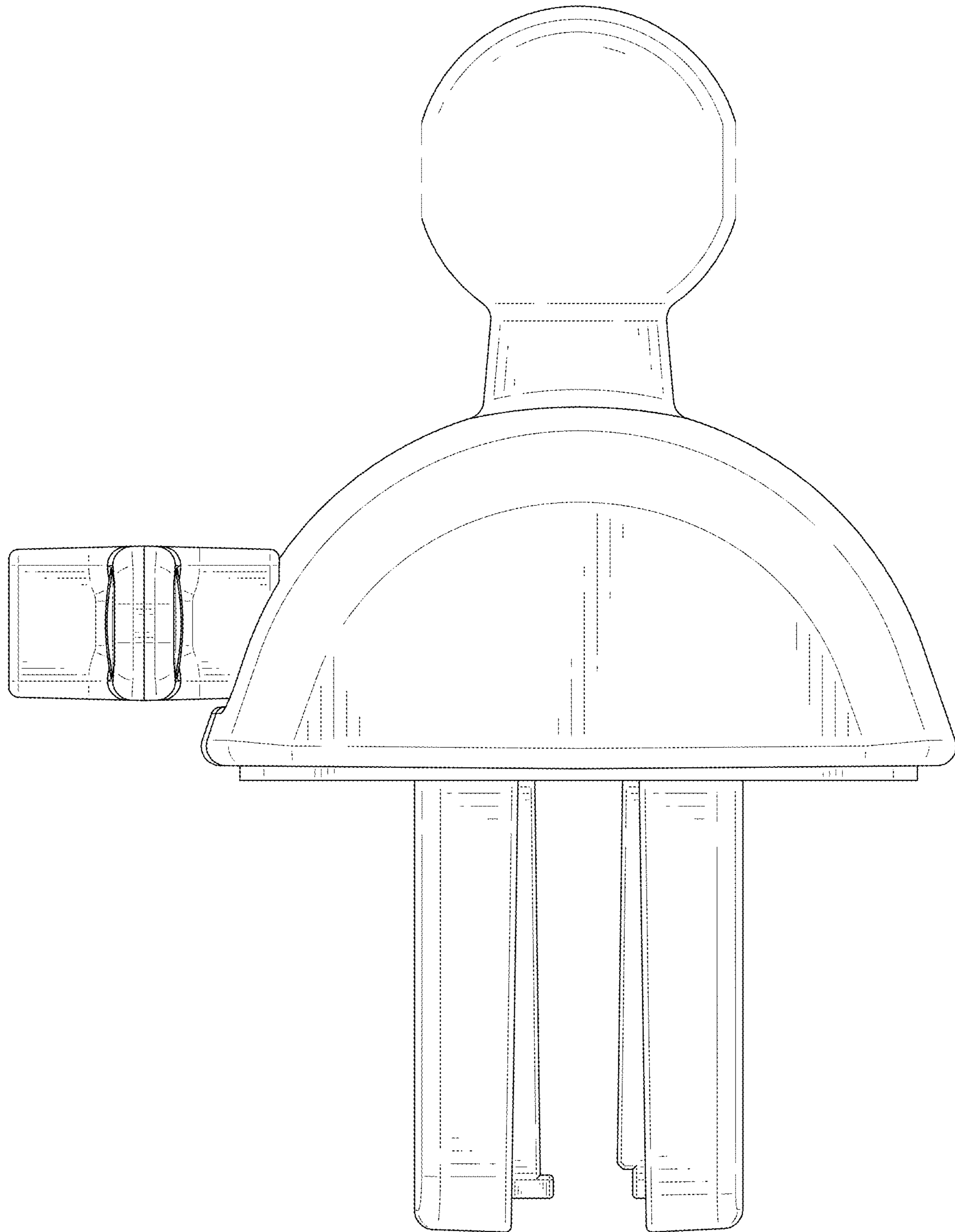


FIG. 3

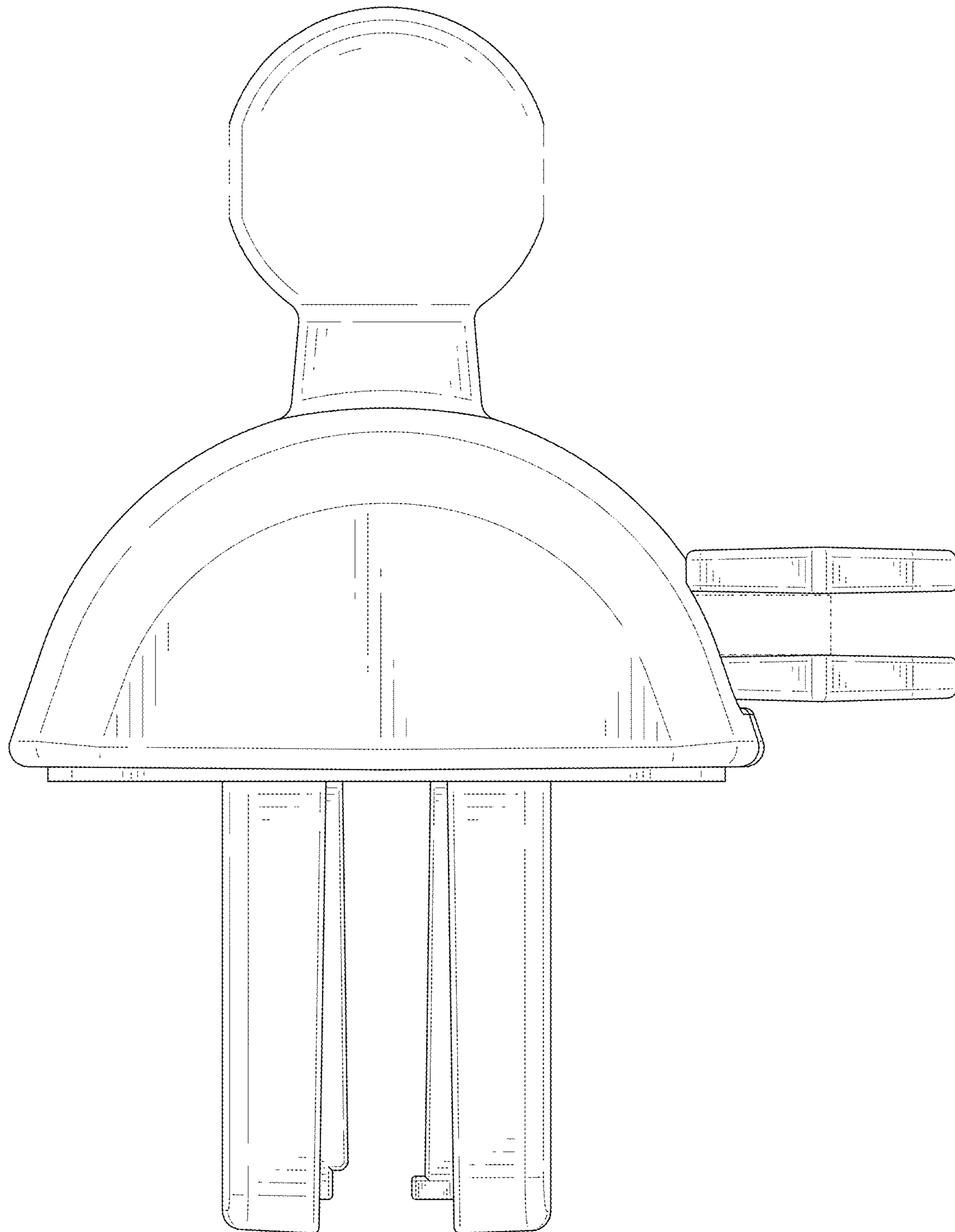


FIG. 4

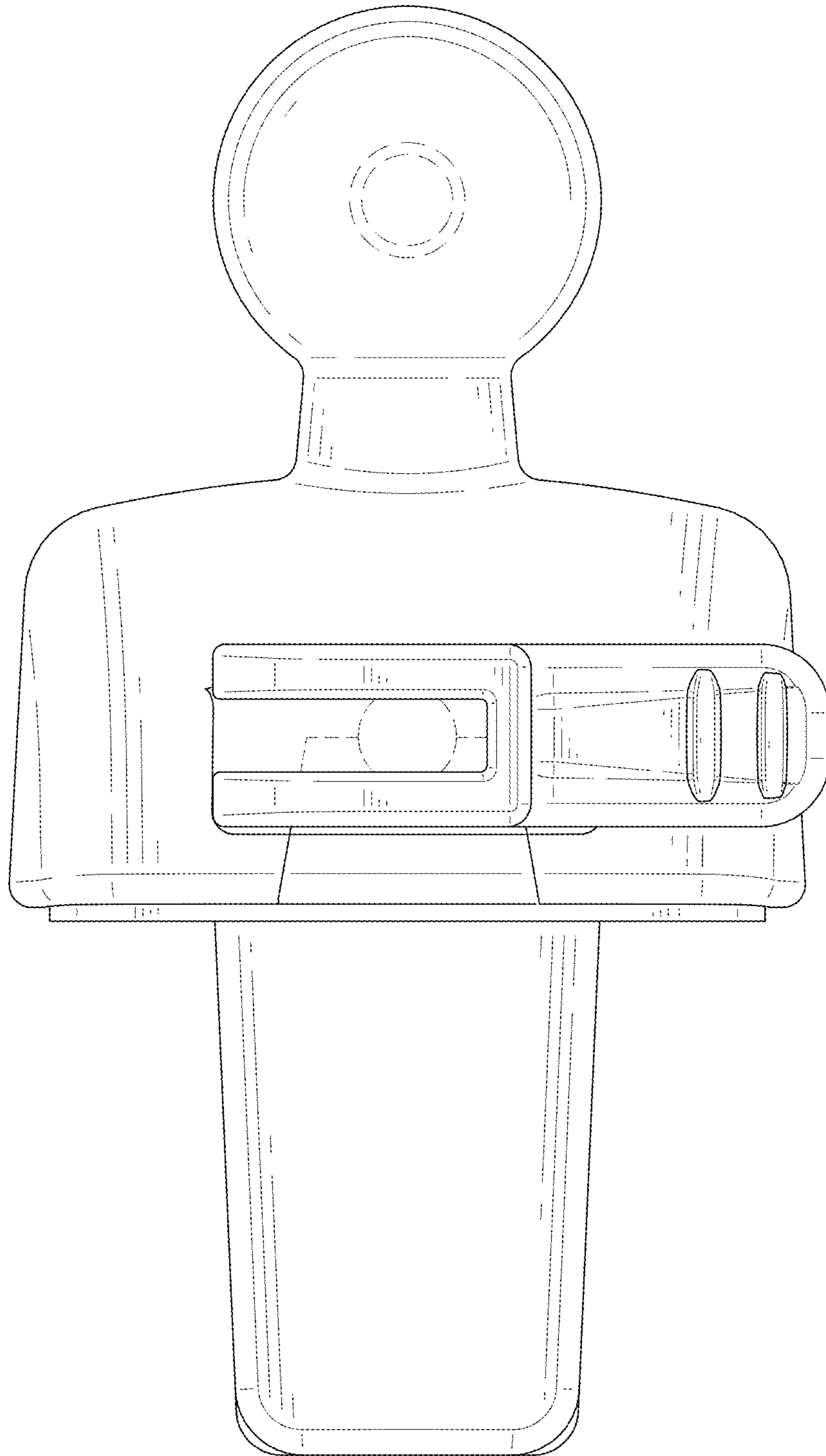


FIG. 5

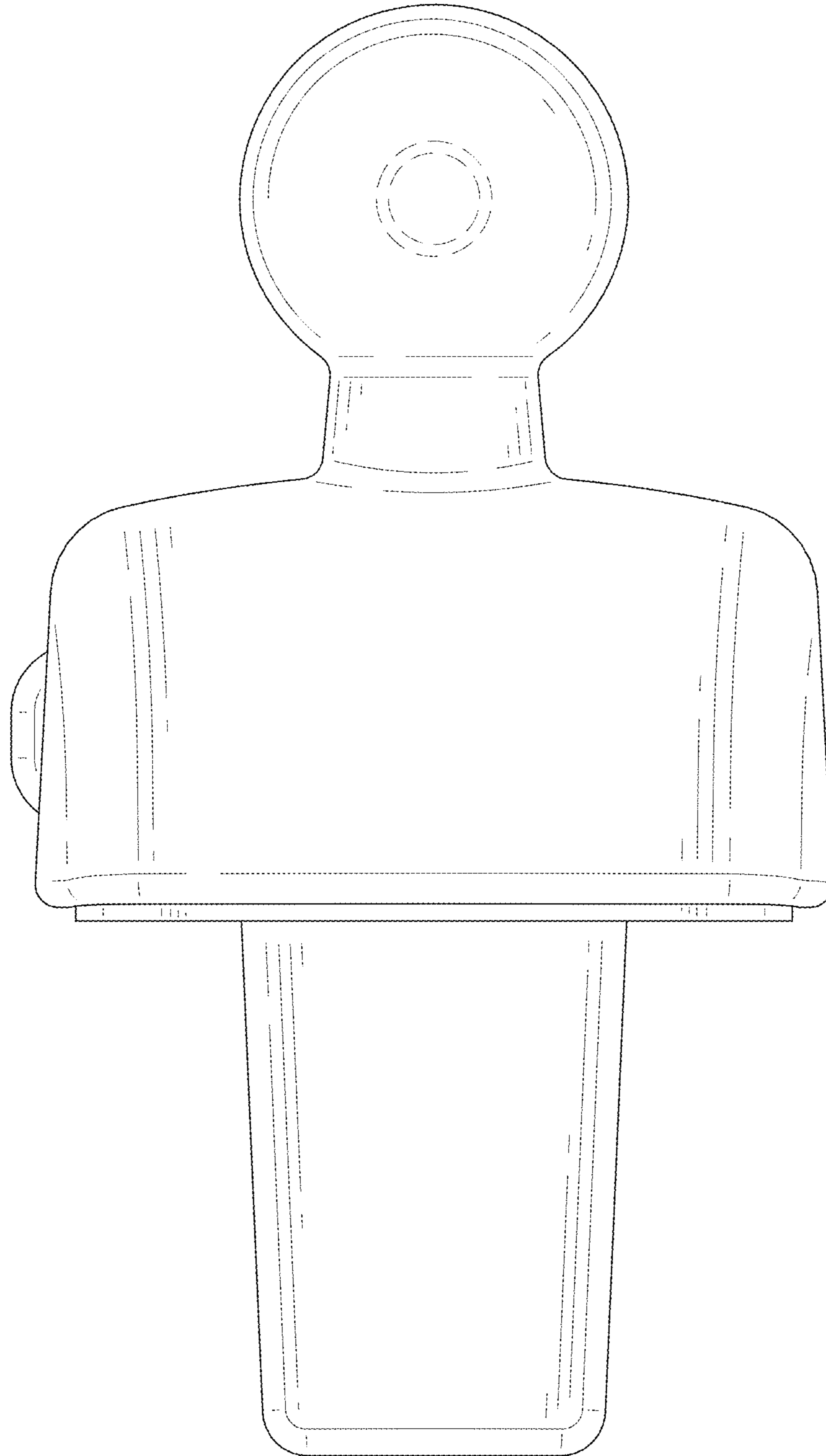


FIG. 6

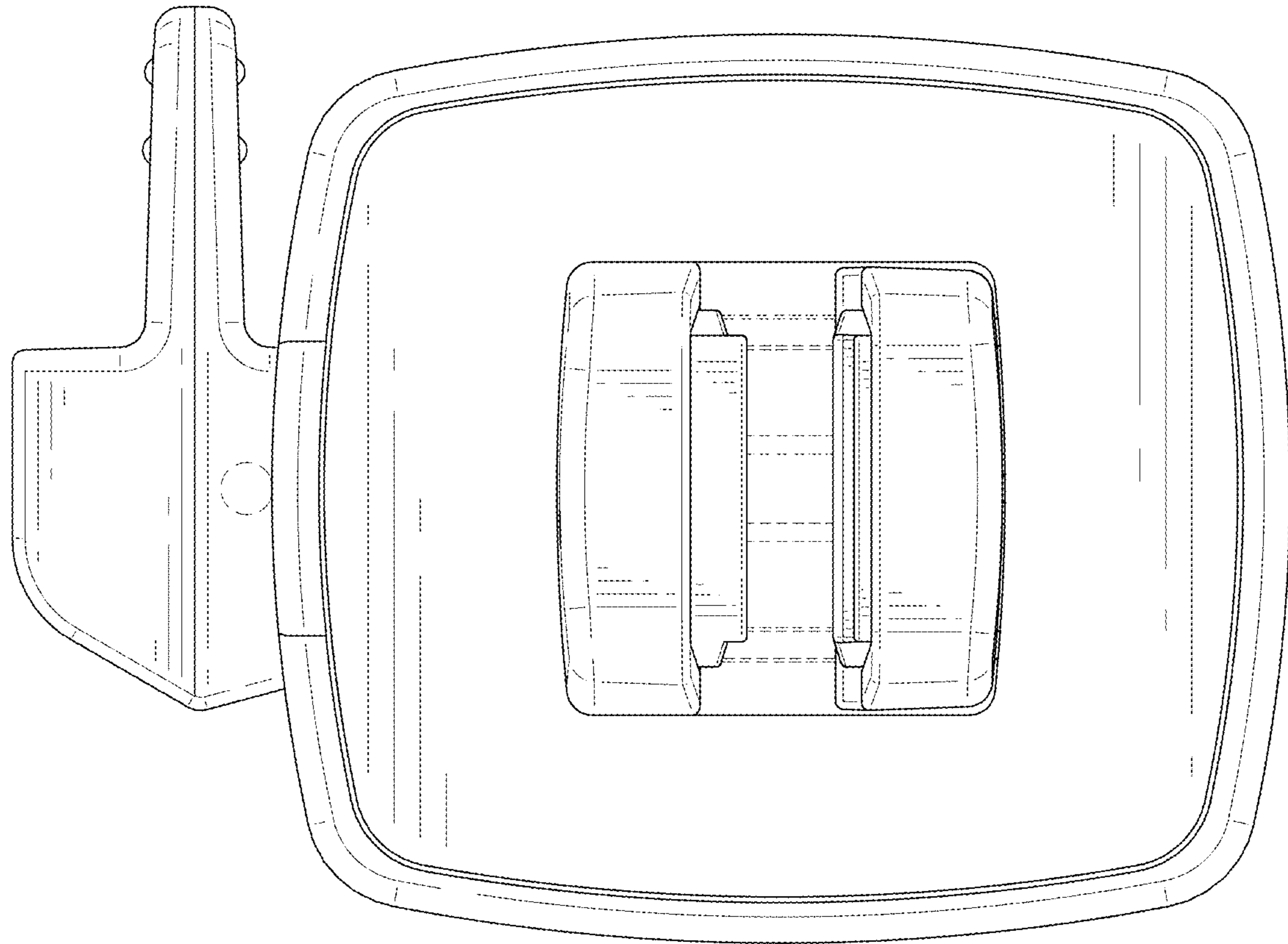


FIG. 7

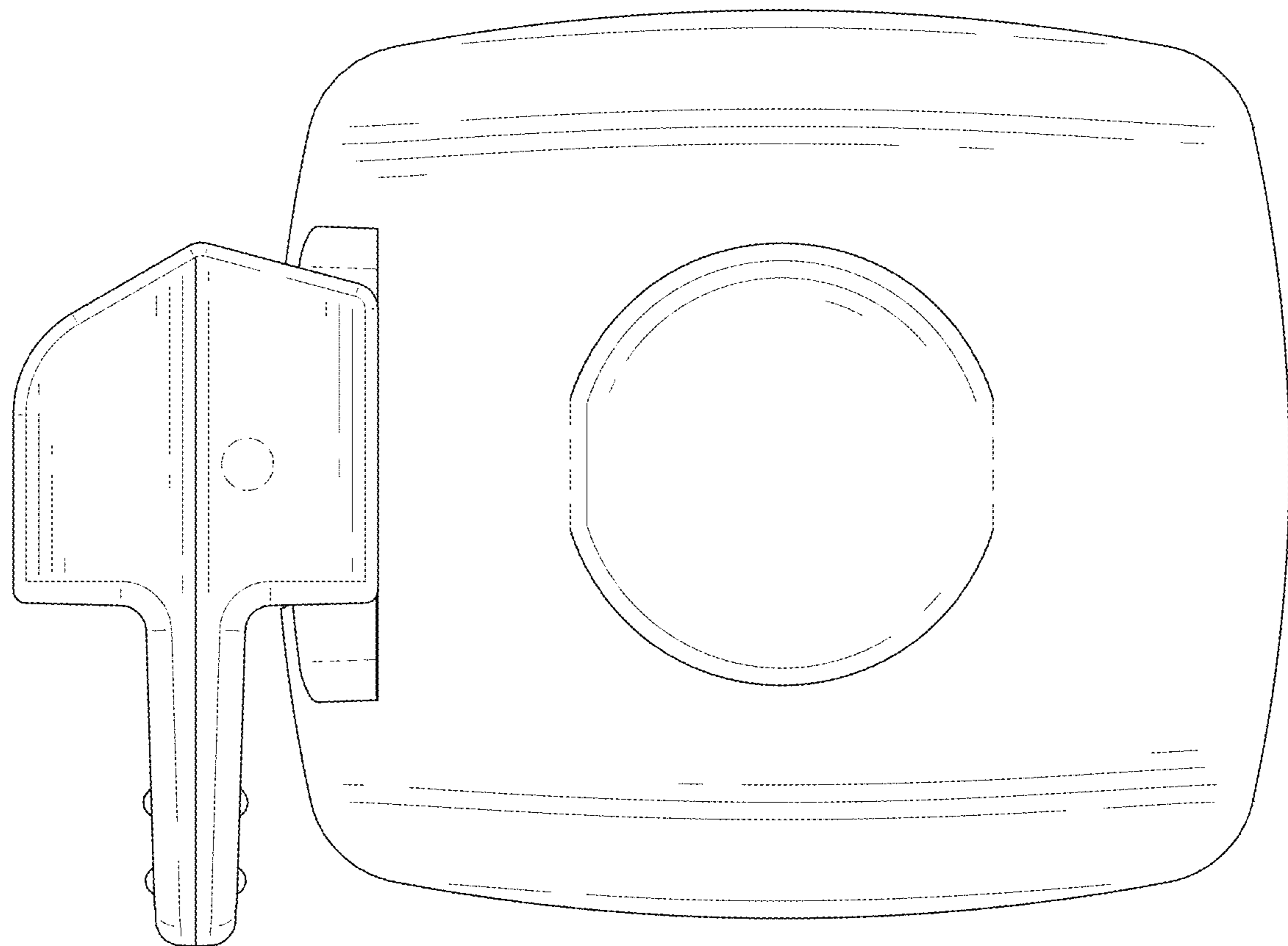


FIG. 8