



US00D899418S

(12) **United States Design Patent** (10) **Patent No.:** **US D899,418 S**  
**Kozelian, Jr.** (45) **Date of Patent:** **\*\* Oct. 20, 2020**

- (54) **PHONE HOLDER**
- (71) Applicant: **Murad H Kozelian, Jr.**, Belmont, MA (US)
- (72) Inventor: **Murad H Kozelian, Jr.**, Belmont, MA (US)
- (\*\*) Term: **15 Years**
- (21) Appl. No.: **29/688,253**
- (22) Filed: **Apr. 19, 2019**
- (51) **LOC (12) Cl.** ..... **14-03**
- (52) **U.S. Cl.**  
USPC ..... **D14/253; D3/218**
- (58) **Field of Classification Search**  
USPC ..... D14/251-253, 447, 452, 432-434, 440;  
D12/415; D3/218; D8/349, 363  
CPC ..... H04M 1/02; H04M 1/04; B60R 11/02;  
F16M 11/00; F16M 11/04; F16M 11/06  
See application file for complete search history.

D830,367 S *	10/2018	Chang	.....	D14/440
D842,290 S *	3/2019	Robertson	.....	D14/250
D842,851 S *	3/2019	Leitman	.....	D14/253
D845,955 S *	4/2019	Zhong	.....	D14/439
D857,005 S *	8/2019	Yu	.....	D14/253
D858,511 S *	9/2019	Yu	.....	D14/253
D860,984 S *	9/2019	Stagge	.....	D14/250
D878,350 S *	3/2020	Stagge	.....	D14/253
D879,765 S *	3/2020	Zhang	.....	D14/253
2012/0006950 A1 *	1/2012	Vandiver	.....	F16M 11/105 248/176.3
2012/0025039 A1 *	2/2012	Segal	.....	H04M 1/04 248/188.6
2012/0074291 A1 *	3/2012	Fu	.....	F16M 11/40 248/560
2016/0345695 A1 *	12/2016	Stagge	.....	A45F 5/00

\* cited by examiner

*Primary Examiner* — Janice Hallmark

(74) *Attorney, Agent, or Firm* — Coleman & MacDonald Law Office

(57) **CLAIM**

The ornamental design for a phone holder, shown and described.

**DESCRIPTION**

FIG. 1 is a perspective view of a phone holder showing my new design attached to a mobile telephone;  
FIG. 2 is a front view of the phone holder of FIG. 1;  
FIG. 3 is a rear view of the phone holder of FIG. 1;  
FIG. 4 is a left side view of the phone holder of FIG. 1;  
FIG. 5 is a right side view of the phone holder of FIG. 1;  
FIG. 6 is a top view of the phone holder of FIG. 1; and,  
FIG. 7 is a bottom view of the phone holder of FIG. 1.  
The broken lines in the figures illustrate environmental structure and form no part of the claimed design.

**1 Claim, 5 Drawing Sheets**

(56) **References Cited**

U.S. PATENT DOCUMENTS

8,522,965 B1 *	9/2013	Hsiung	.....	H04B 1/3888 206/320
D719,951 S *	12/2014	Fenton	.....	D14/253
D720,343 S *	12/2014	Nichols	.....	D14/253
D721,373 S *	1/2015	Logereau	.....	D14/432
D729,223 S *	5/2015	Haarburger	.....	D14/253
D737,830 S *	9/2015	Katopis	.....	D14/447
D749,594 S *	2/2016	Kim	.....	D14/440
9,300,346 B2 *	3/2016	Hirsch	.....	A45F 5/00
D755,153 S *	5/2016	Steiner	.....	D14/138 R
D763,857 S *	8/2016	Dang	.....	D14/440
D786,235 S *	5/2017	Huotari	.....	D14/253
D826,917 S *	8/2018	Zhong	.....	D14/253

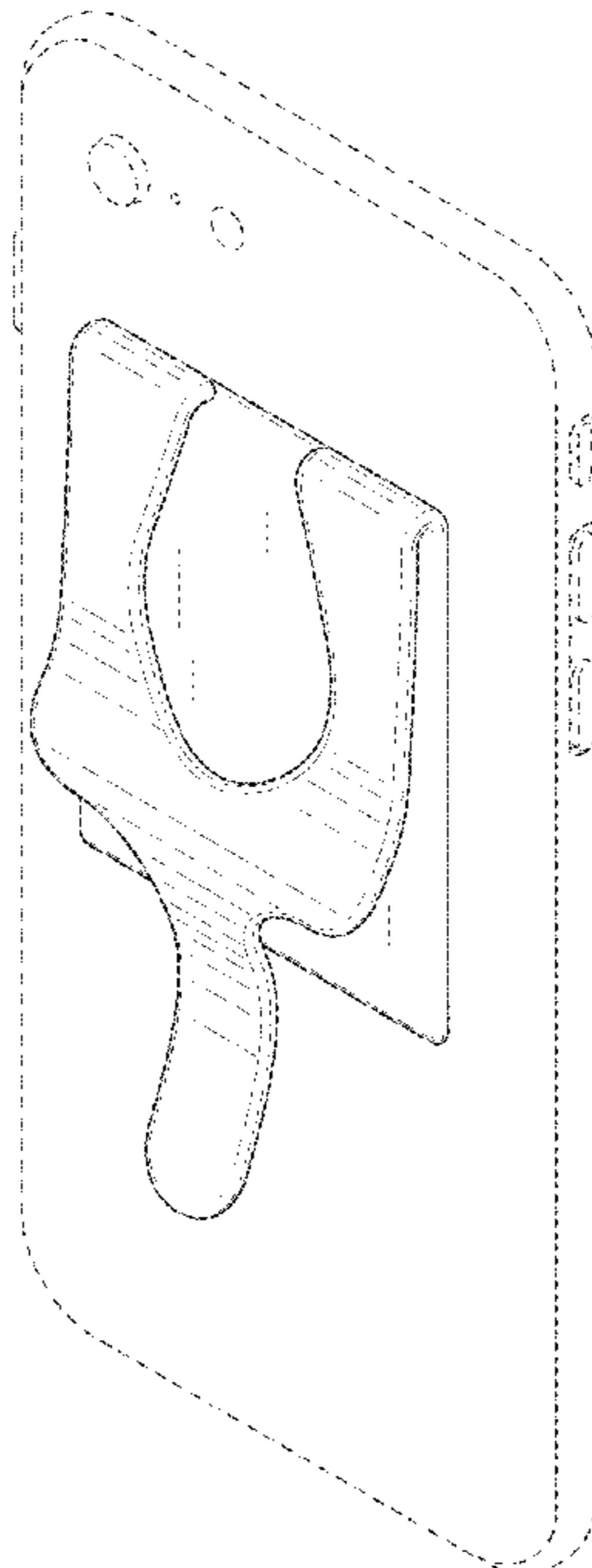
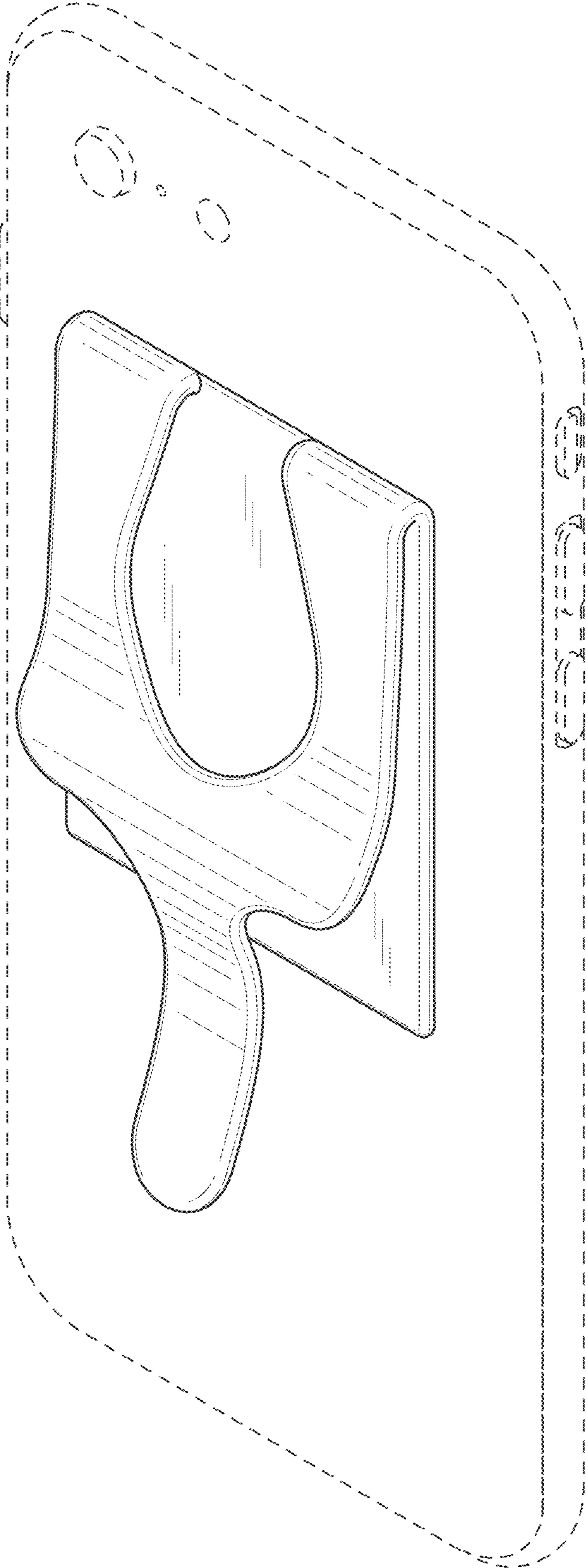


FIG. 1



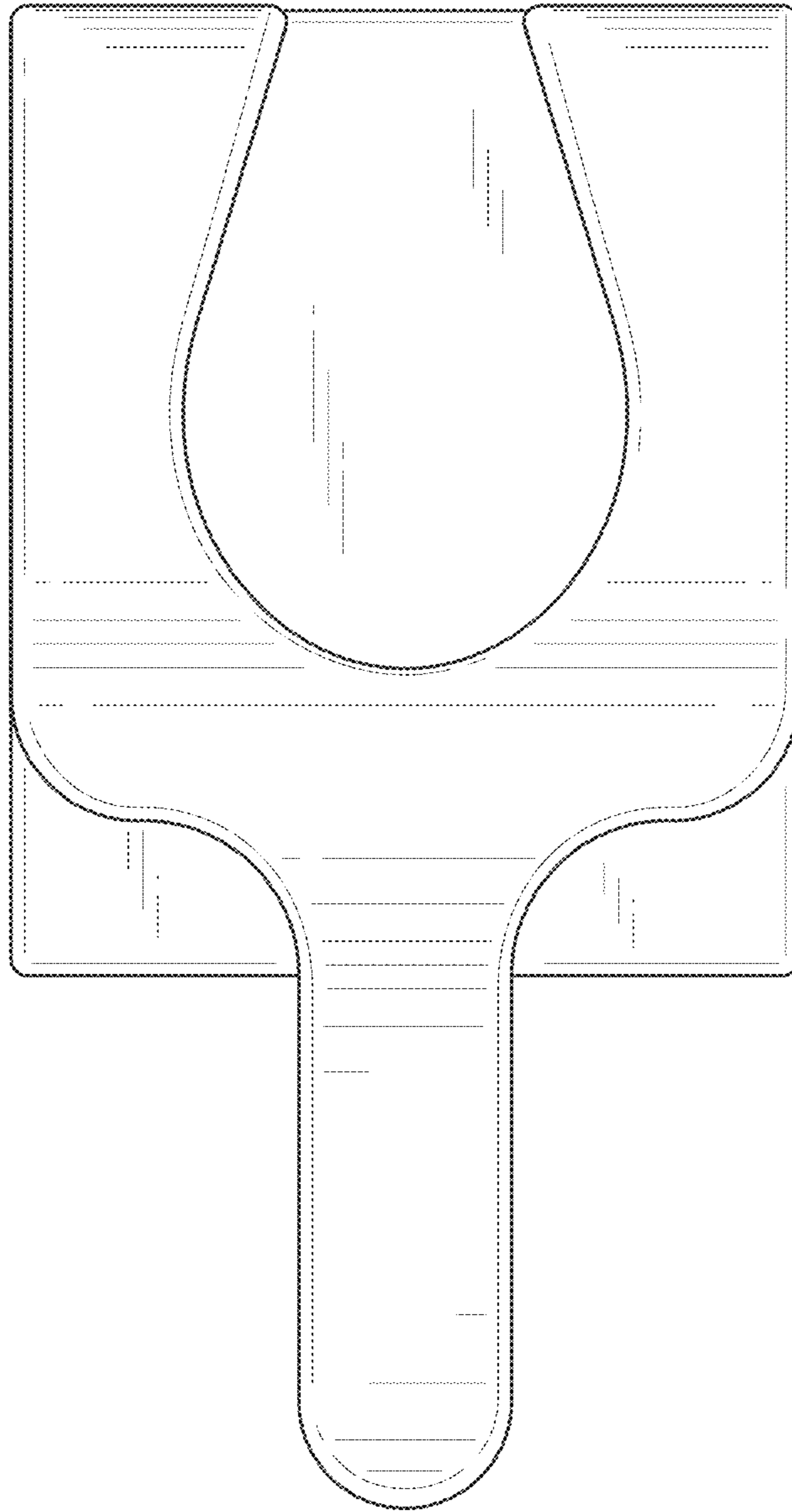


FIG. 2

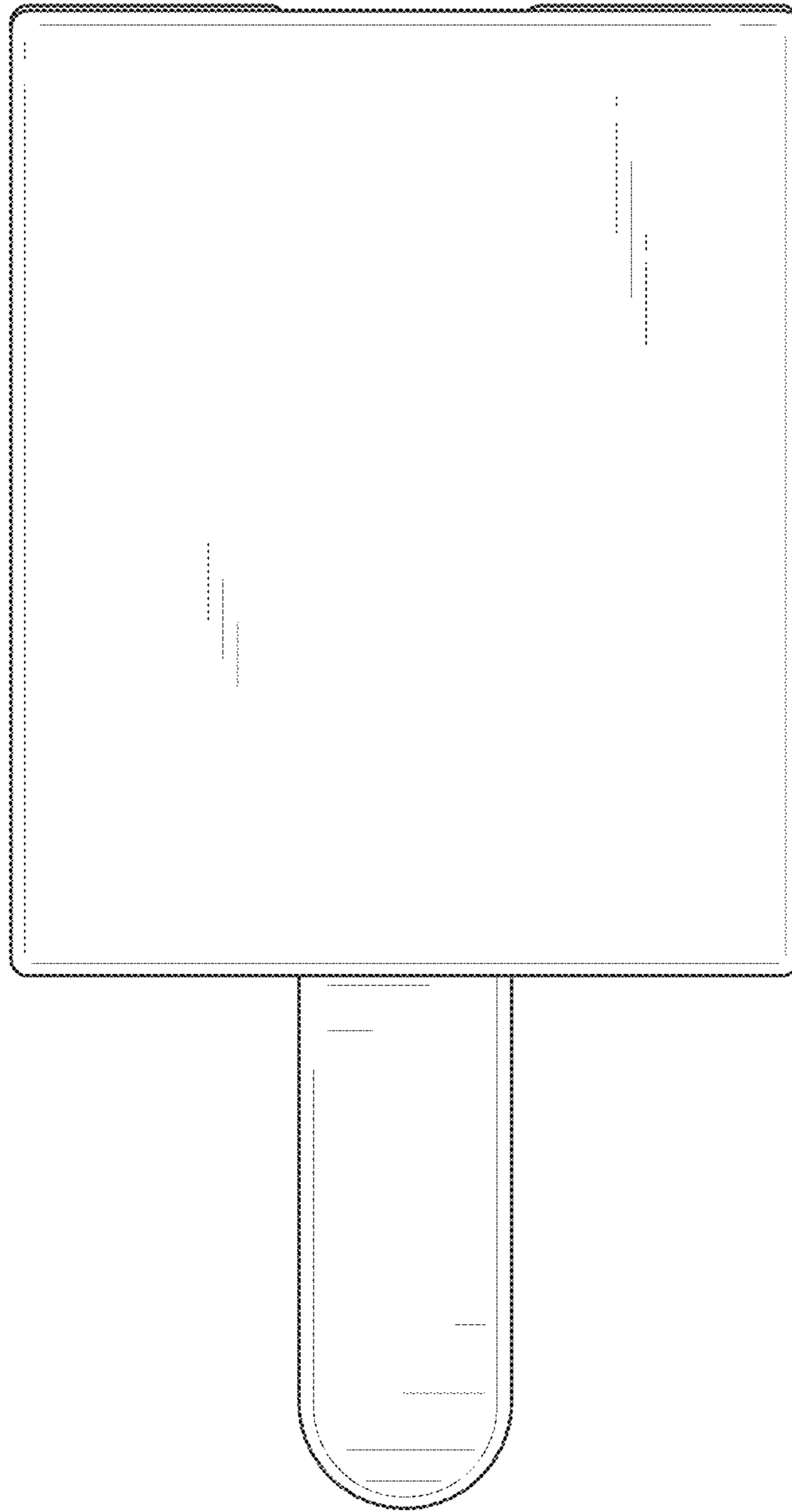


FIG. 3

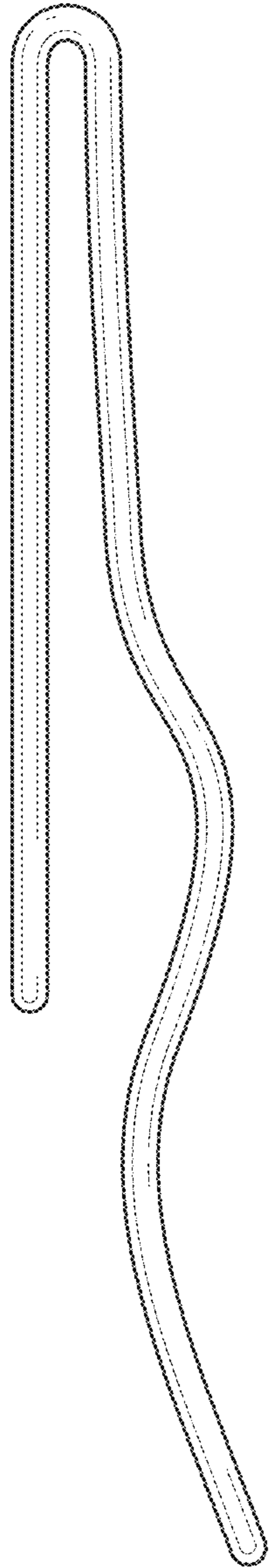


FIG. 4

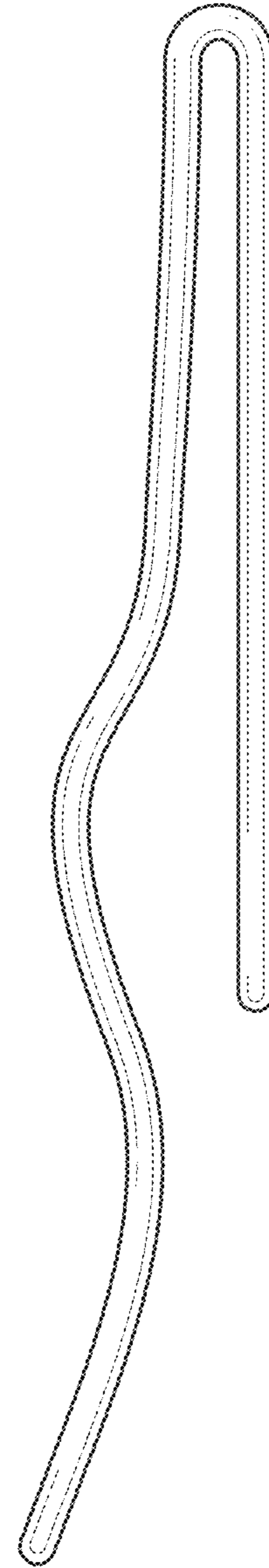


FIG. 5

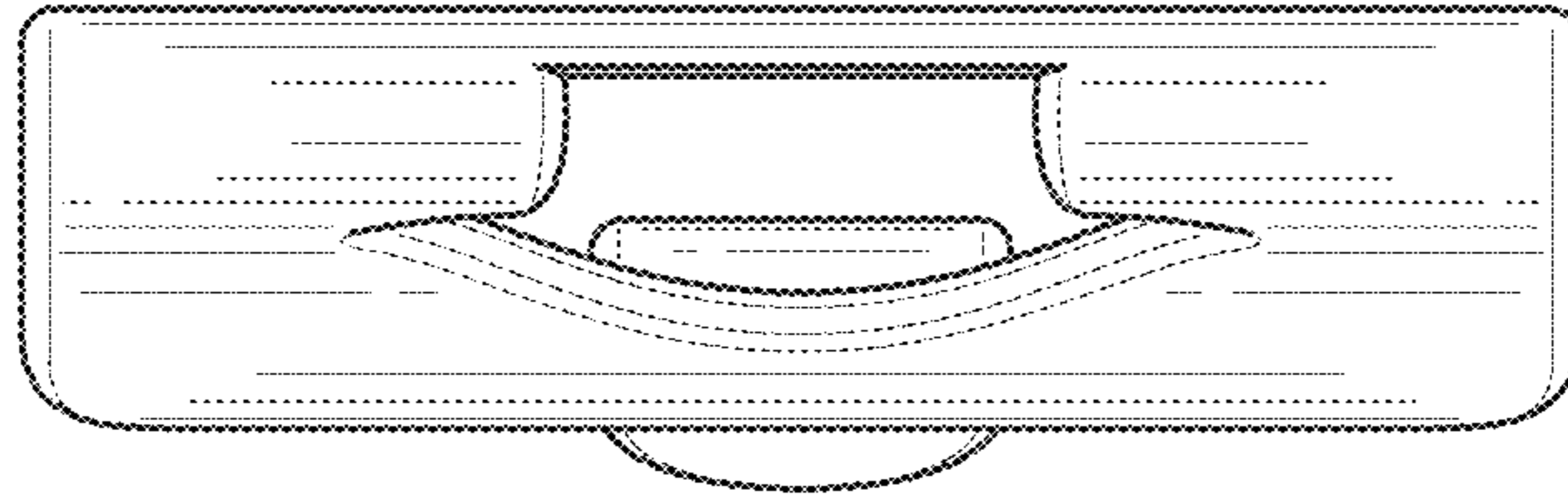


FIG. 6

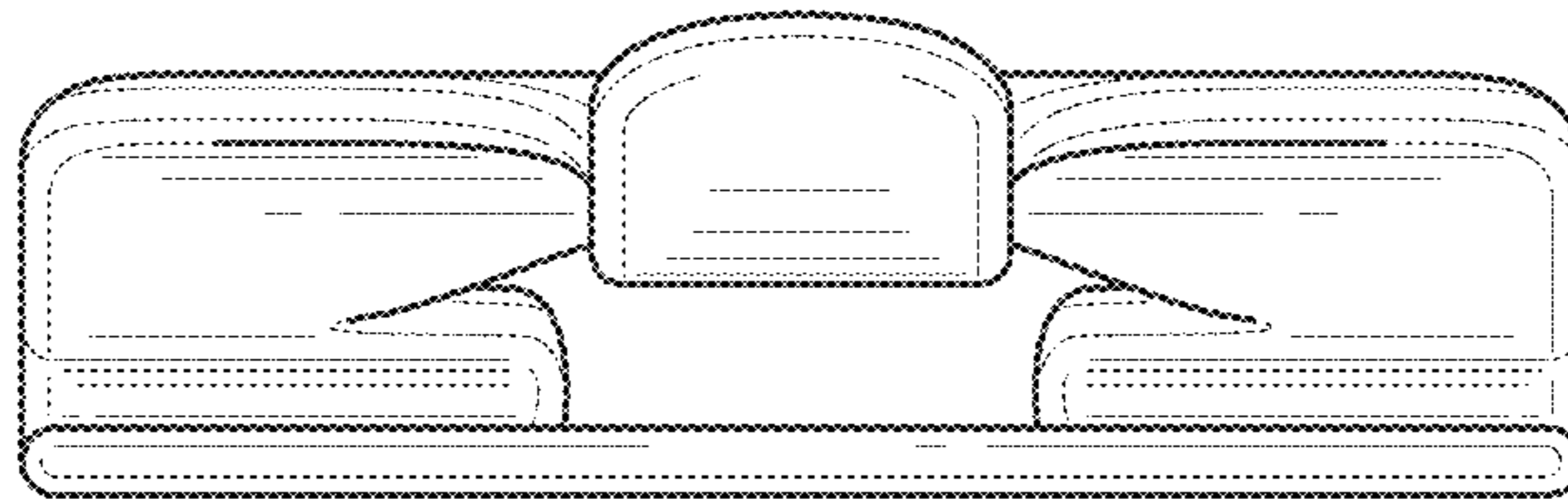


FIG. 7