



US00D899417S

(12) **United States Design Patent** (10) **Patent No.:** **US D899,417 S**
Dai (45) **Date of Patent:** **** Oct. 20, 2020**

(54) **PHONE CASE**
(71) Applicant: **Minghua Dai**, Putian (CN)
(72) Inventor: **Minghua Dai**, Putian (CN)
(**) Term: **15 Years**
(21) Appl. No.: **29/723,648**
(22) Filed: **Feb. 10, 2020**
(51) **LOC (12) Cl.** **14-03**
(52) **U.S. Cl.**
USPC **D14/250**
(58) **Field of Classification Search**
USPC D14/203.3–203.7, 439, 251–253, 447,
D14/217, 240, 248, 238.1, 250, 440;
D13/103, 107–108, 119; D3/201, 218,
D3/247, 249, 269, 273, 301, 303
CPC H04B 1/3888; H04M 1/0283; H04M 1/0202;
A45C 1/06; A45C 11/00; A45C 13/02;
A45C 2011/002; A45F 2005/026; A45F
2200/0525; A45F 2200/0516
See application file for complete search history.

D780,167 S * 2/2017 Tien D14/250
9,660,683 B2 * 5/2017 Tien H04B 1/3888
D794,625 S * 8/2017 Armstrong D14/250
D808,374 S * 1/2018 Lee D14/250
D812,600 S * 3/2018 Altaras D14/250
D812,619 S * 3/2018 Altaras D14/440
D813,220 S 3/2018 Joshua et al.
D831,636 S 10/2018 Zhu
D839,859 S * 2/2019 Zhang D14/250
D851,080 S * 6/2019 Wei D14/250
D862,451 S * 10/2019 Ahn D14/250
2013/0271897 A1 * 10/2013 Limber H04M 1/04
361/679.01
2016/0021996 A1 * 1/2016 Tien A45C 11/00
224/191
2016/0269516 A1 * 9/2016 Kim H04M 1/185
2017/0033824 A1 * 2/2017 Tien H04B 1/3888
2019/0310049 A1 * 10/2019 Stilson F41H 9/10

* cited by examiner

Primary Examiner — Carla J Wright
(74) *Attorney, Agent, or Firm* — KA Filing LLC; Wayne Harper; Cynthia Flanigan

(57) **CLAIM**

I claim the ornamental design for a phone case, as shown and described.

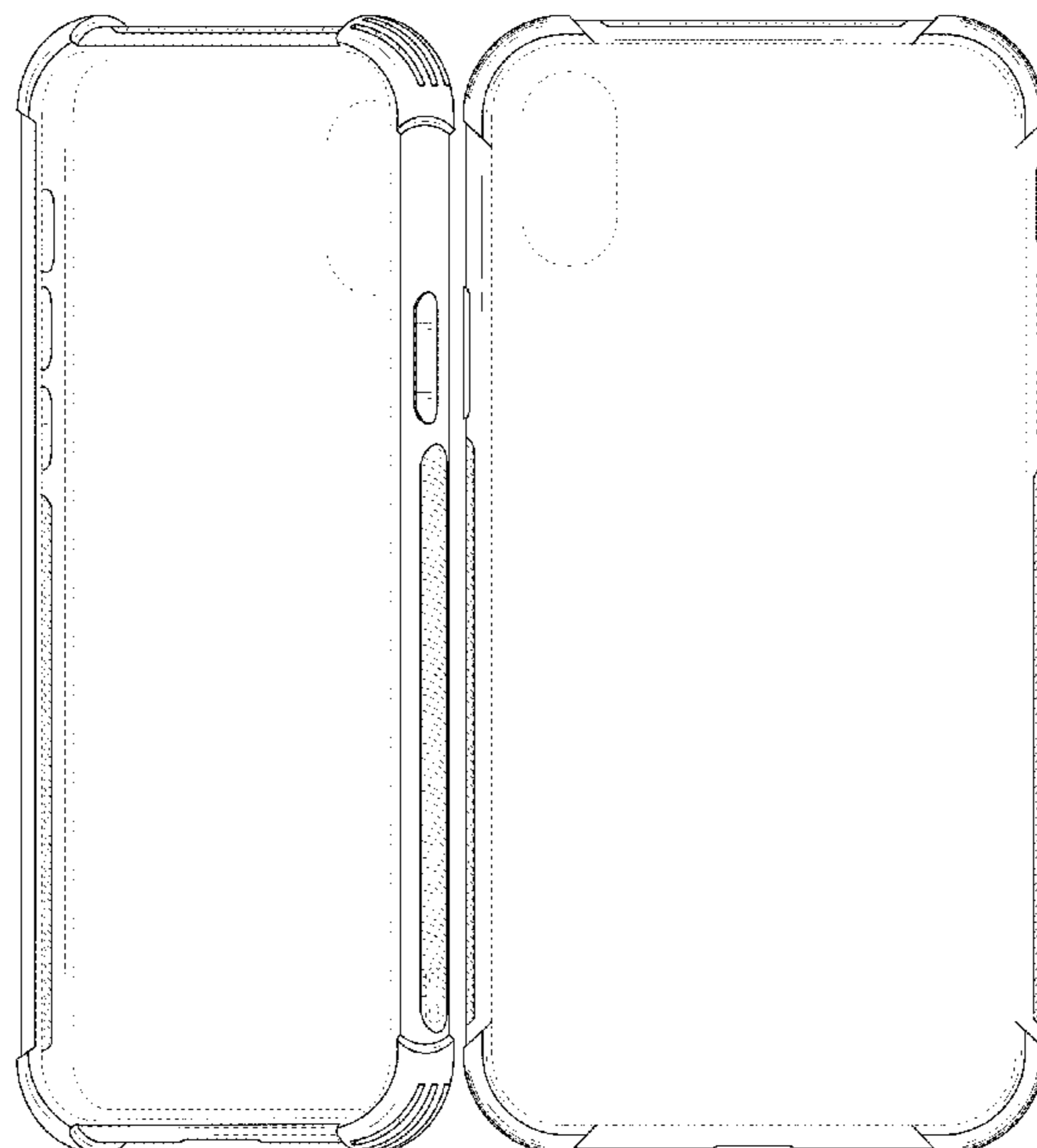
DESCRIPTION

FIG. 1 is a Perspective view of a phone case showing my new design;
FIG. 2 is a Front view thereof;
FIG. 3 is a Back view thereof;
FIG. 4 is a Right-side view thereof;
FIG. 5 is a Left-side view thereof;
FIG. 6 is a Top view thereof; and,
FIG. 7 is a Bottom view thereof.
The broken lines in the drawing figures depict environmental subject matter that forms no part of the claimed design.

1 Claim, 5 Drawing Sheets

(56) **References Cited**
U.S. PATENT DOCUMENTS

D654,069 S 2/2012 Kwon et al.
D657,354 S 4/2012 Kim
D670,279 S * 11/2012 Veltz D14/250
8,509,865 B1 * 8/2013 LaColla H04M 1/04
455/556.1
D694,742 S * 12/2013 Pan D14/250
D699,716 S * 2/2014 Pan D14/250
D766,885 S * 9/2016 Armstrong D14/250
D769,855 S * 10/2016 Deng D14/250
D776,104 S * 1/2017 Tien D14/250
D776,105 S * 1/2017 Han D14/250
D777,727 S * 1/2017 Maicon D14/440
D779,471 S * 2/2017 Tien D14/250



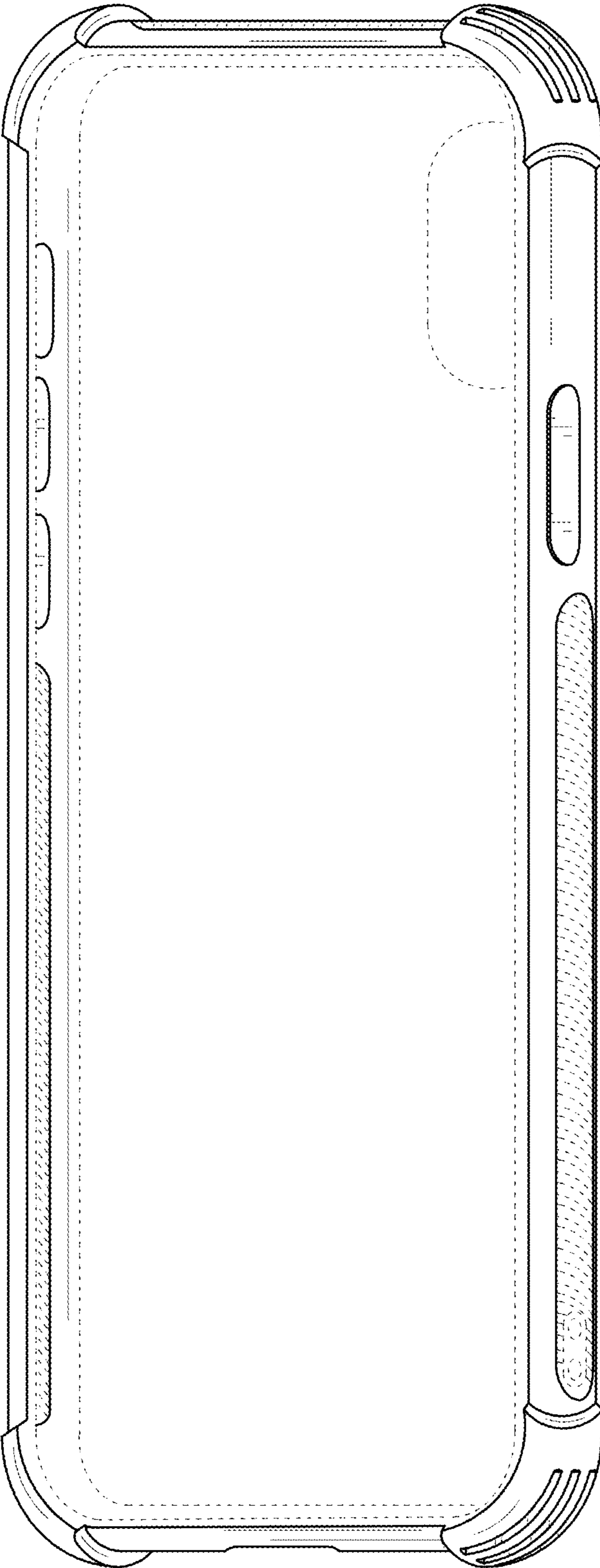


FIG. 1

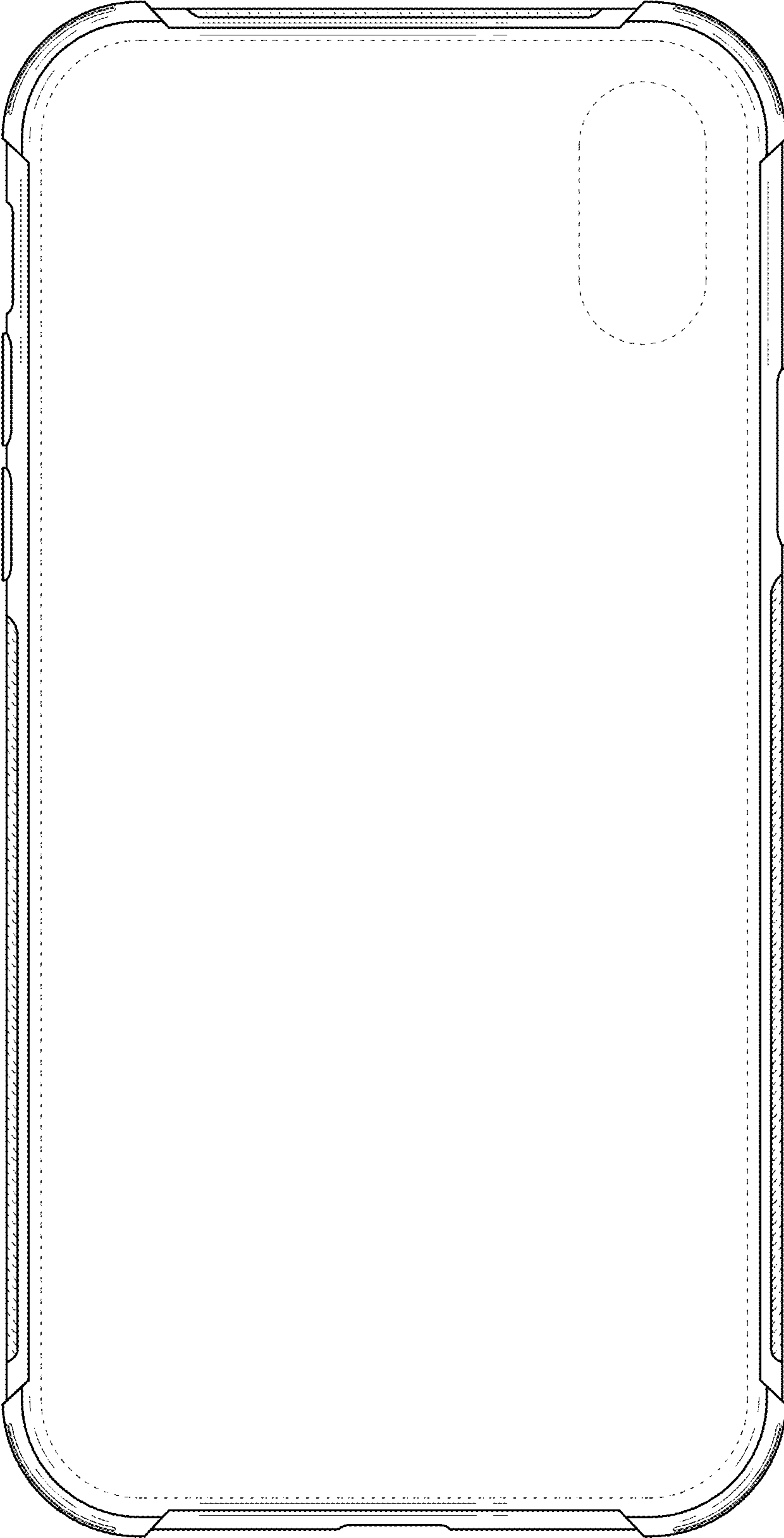


FIG. 2

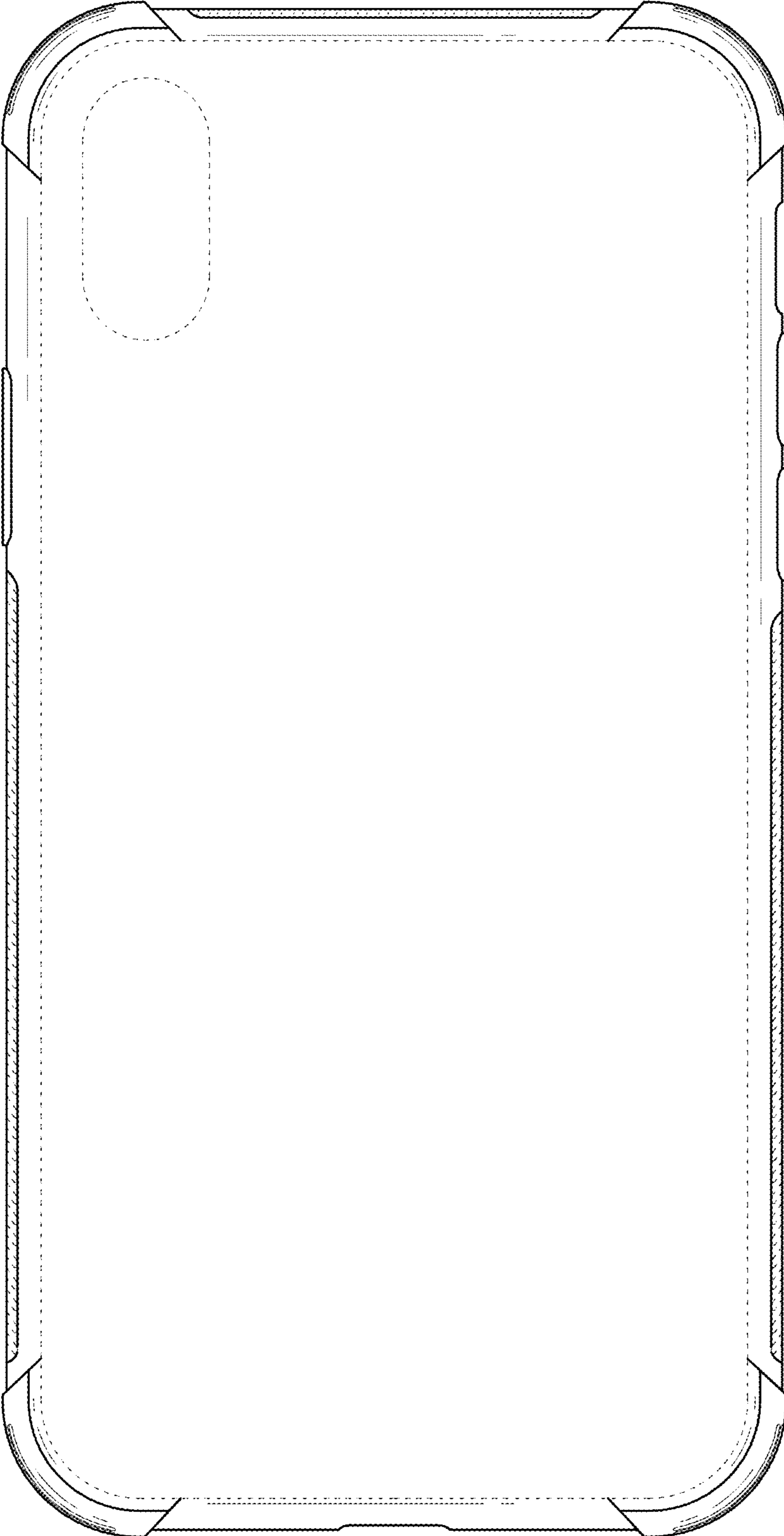


FIG. 3

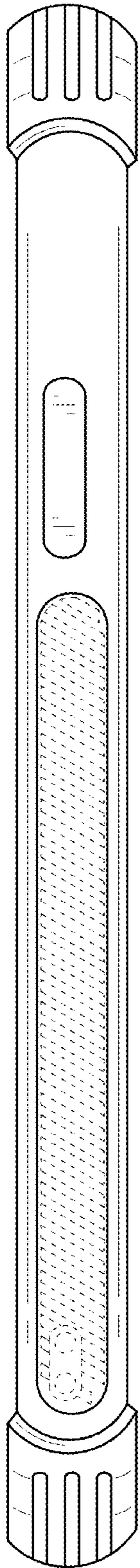


FIG. 4

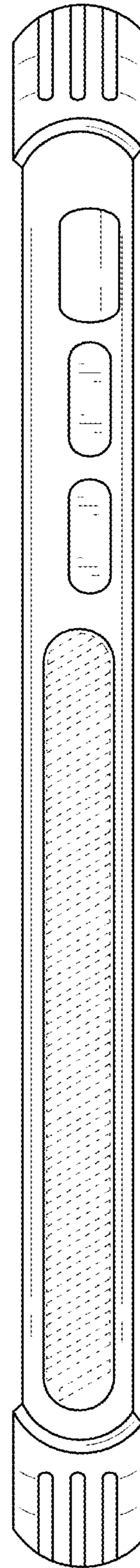


FIG. 5

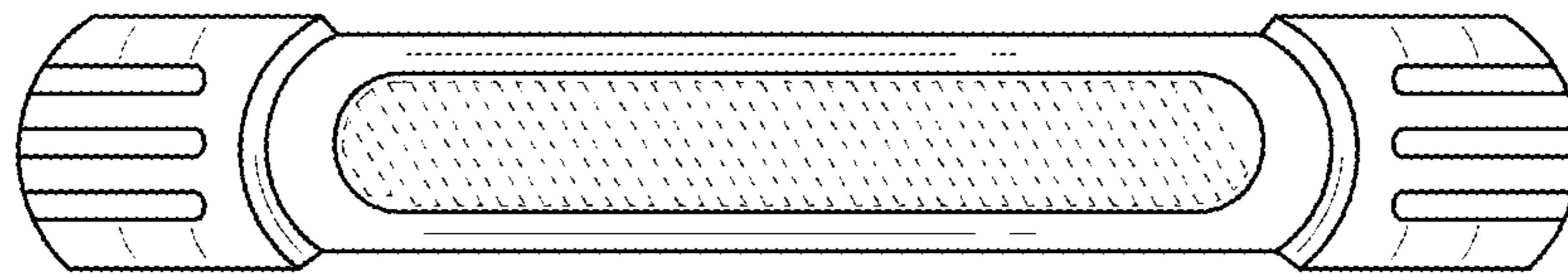


FIG. 6

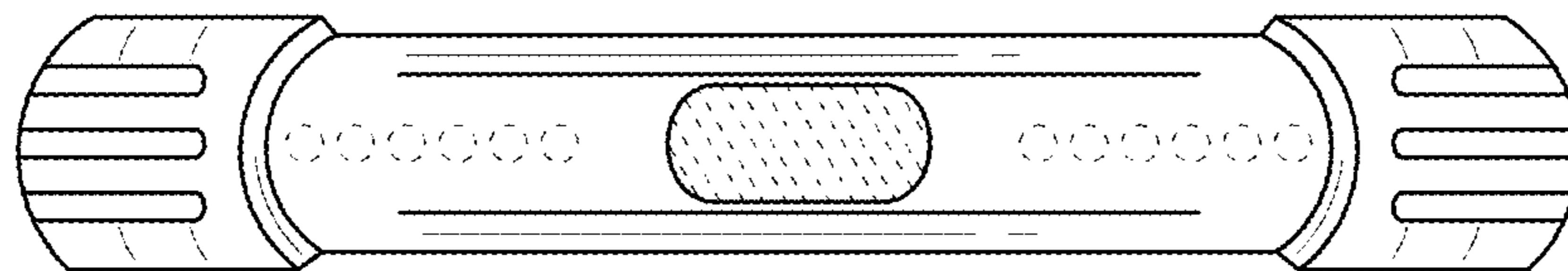


FIG. 7