



US00D899416S

(12) **United States Design Patent** (10) **Patent No.:** **US D899,416 S**
Kwak et al. (45) **Date of Patent:** **** Oct. 20, 2020**

(54) **CASE FOR ELECTRONIC COMMUNICATIONS DEVICE**
(71) Applicant: **SPIGEN KOREA CO., LTD.**, Seoul (KR)
(72) Inventors: **Jung Hun Kwak**, Seoul (KR); **Eun Hee Koo**, Seoul (KR)
(73) Assignee: **Spigen Korea CO., LTD.**, Seoul (KR)
(**) Term: **15 Years**
(21) Appl. No.: **29/721,877**
(22) Filed: **Jan. 23, 2020**
(51) **LOC (12) Cl.** **14-03**
(52) **U.S. Cl.**
USPC **D14/250**
(58) **Field of Classification Search**
USPC D3/201, 212, 218, 226, 227, 247, 249, D3/250, 269, 303; D13/103, 107, 108, D13/119; D14/137, 138 R, 138 AA, D14/138 C, 138 G, 172, 192, D14/203.3-203.7, 217, 238.1, 247, 248, D14/250-253, 434, 440, 447, 496; D11/200, 212, 231, 234
CPC H04B 1/3888; H04M 1/0283; H04M 1/0202; A45C 1/06; A45C 2011/002; A45C 11/00; A45F 2005/028; A45F 2200/0525
See application file for complete search history.

D648,332 S 11/2011 Kim et al.
D654,489 S * 2/2012 Weller D14/250
D665,386 S * 8/2012 Fathollahi D14/250
D680,522 S * 4/2013 Melanson D14/250
D681,619 S * 5/2013 Smith D14/250
D703,197 S * 4/2014 Melanson D14/250
D711,862 S * 8/2014 Fathollahi D14/250

(Continued)

Primary Examiner — Susan E Krakower
Assistant Examiner — L. A. Grabenstetter
(74) *Attorney, Agent, or Firm* — Heedong Chae; Lucem, PC

(57) **CLAIM**

The ornamental design for a case for electronic communications device, as shown and described.

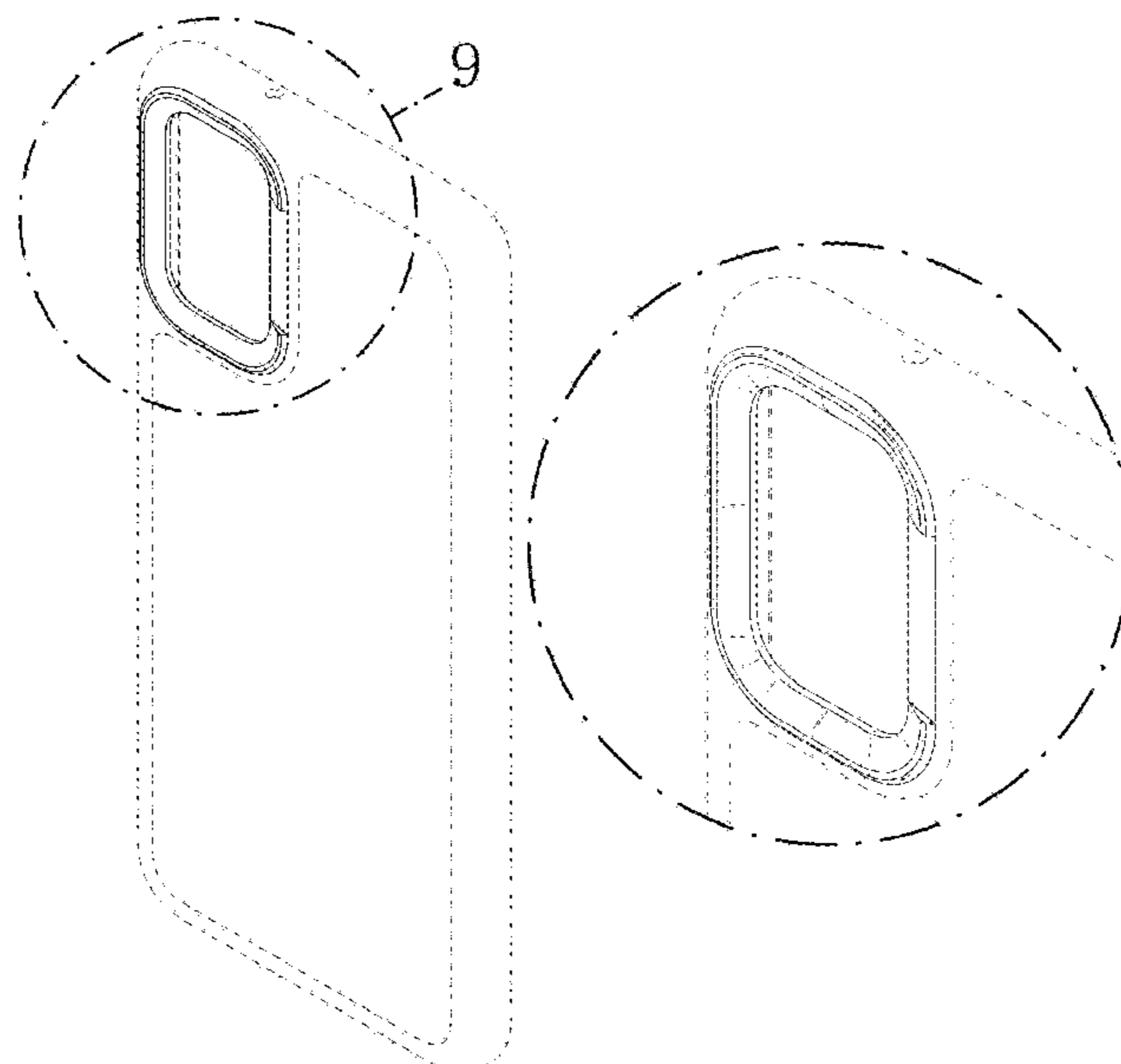
DESCRIPTION

FIG. 1 is a front perspective view of the case for electronic communications device showing our new design; FIG. 2 is a rear perspective view thereof; FIG. 3 is a front elevational view thereof; FIG. 4 is a rear elevational view thereof; FIG. 5 is a left side elevational view thereof; FIG. 6 is a right side elevational view thereof; FIG. 7 is a top plan view thereof; FIG. 8 is a bottom plan view thereof; FIG. 9 is an enlarged detail view of the encircled region in FIG. 2; and, FIG. 10 is an enlarged detail view of the encircled region in FIG. 4.

The dot-dash broken line circles in FIGS. 2 and 4 are included for the purpose of illustrating the portion of the case for electronic communications device shown in an enlarged scale in FIGS. 9 and 10. The dot-dash broken lines form no part of the claimed design. The dashed broken lines throughout the drawing figures depict portions of the case that form no part of the claimed design.

1 Claim, 10 Drawing Sheets

(56) **References Cited**
U.S. PATENT DOCUMENTS
1,988,890 A * 1/1935 Fenton A44B 11/04 24/200
D519,410 S * 4/2006 Luk D11/200
D590,384 S * 4/2009 McPhail D14/248
D637,519 S * 5/2011 Coffman D11/234
D642,170 S * 7/2011 Johnson D14/250



(56)

References Cited

U.S. PATENT DOCUMENTS

D714,277 S *	9/2014	Hindaly	D14/250	D785,615 S	5/2017	Kim et al.	
D722,528 S *	2/2015	de Sade	D11/200	D787,495 S	5/2017	Kim et al.	
D728,547 S *	5/2015	Simmer	D14/250	D789,344 S	6/2017	Kim	
D728,550 S *	5/2015	Simmer	D14/250	D797,715 S	9/2017	Kim	
D733,695 S *	7/2015	Sun	D14/250	D801,323 S	10/2017	Kim	
D739,394 S	9/2015	Rayner et al.		D807,337 S	1/2018	Kim et al.	
D740,268 S *	10/2015	O'Neill	D14/250	D808,299 S *	1/2018	Frisoni	D11/200
D740,798 S	10/2015	Poon et al.		D808,378 S	1/2018	Witter et al.	
D743,955 S	11/2015	Wu		D814,346 S *	4/2018	Frisoni	D11/231
D745,506 S	12/2015	Barfoot et al.		D816,647 S	5/2018	Li	
D748,634 S	2/2016	Hofer et al.		D823,293 S	7/2018	Kim et al.	
D756,343 S	5/2016	Wall et al.		D823,294 S	7/2018	Kim et al.	
D763,842 S	8/2016	Chang et al.		D823,298 S	7/2018	Kim et al.	
D765,635 S *	9/2016	Chang	D14/250	D828,346 S	9/2018	Kim et al.	
D776,647 S	1/2017	Kim		D830,353 S	10/2018	Kim et al.	
D777,157 S	1/2017	Kim		D831,632 S	10/2018	Jung et al.	
D778,898 S	2/2017	Kim		D831,633 S	10/2018	Jung	
D780,742 S	3/2017	Guerdrum et al.		D834,010 S	11/2018	Kim et al.	
D781,820 S *	3/2017	Ahn	D14/216	D834,571 S	11/2018	Ravid	
D782,411 S *	3/2017	Mischke	D13/108	D845,943 S	4/2019	Skovsted et al.	
				D859,388 S	9/2019	Chung et al.	
				D862,445 S	10/2019	Sasaki et al.	
				D870,091 S	12/2019	Chen	

* cited by examiner

FIG. 1

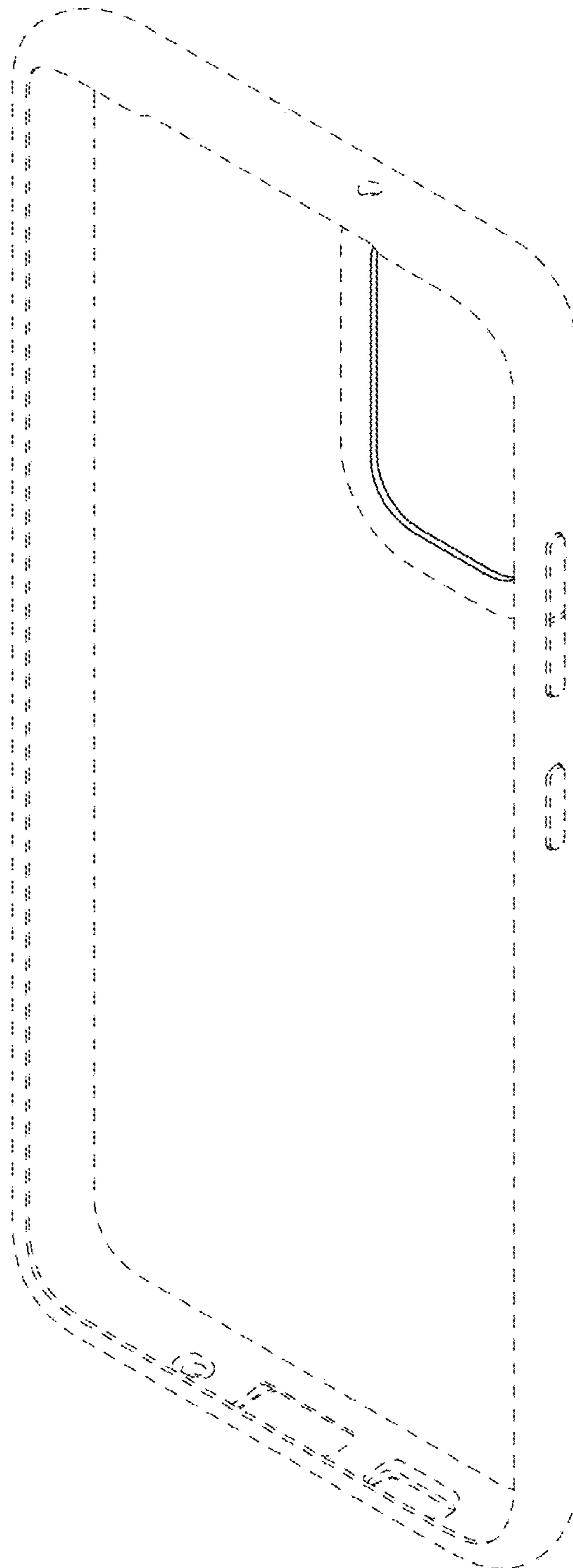


FIG. 2

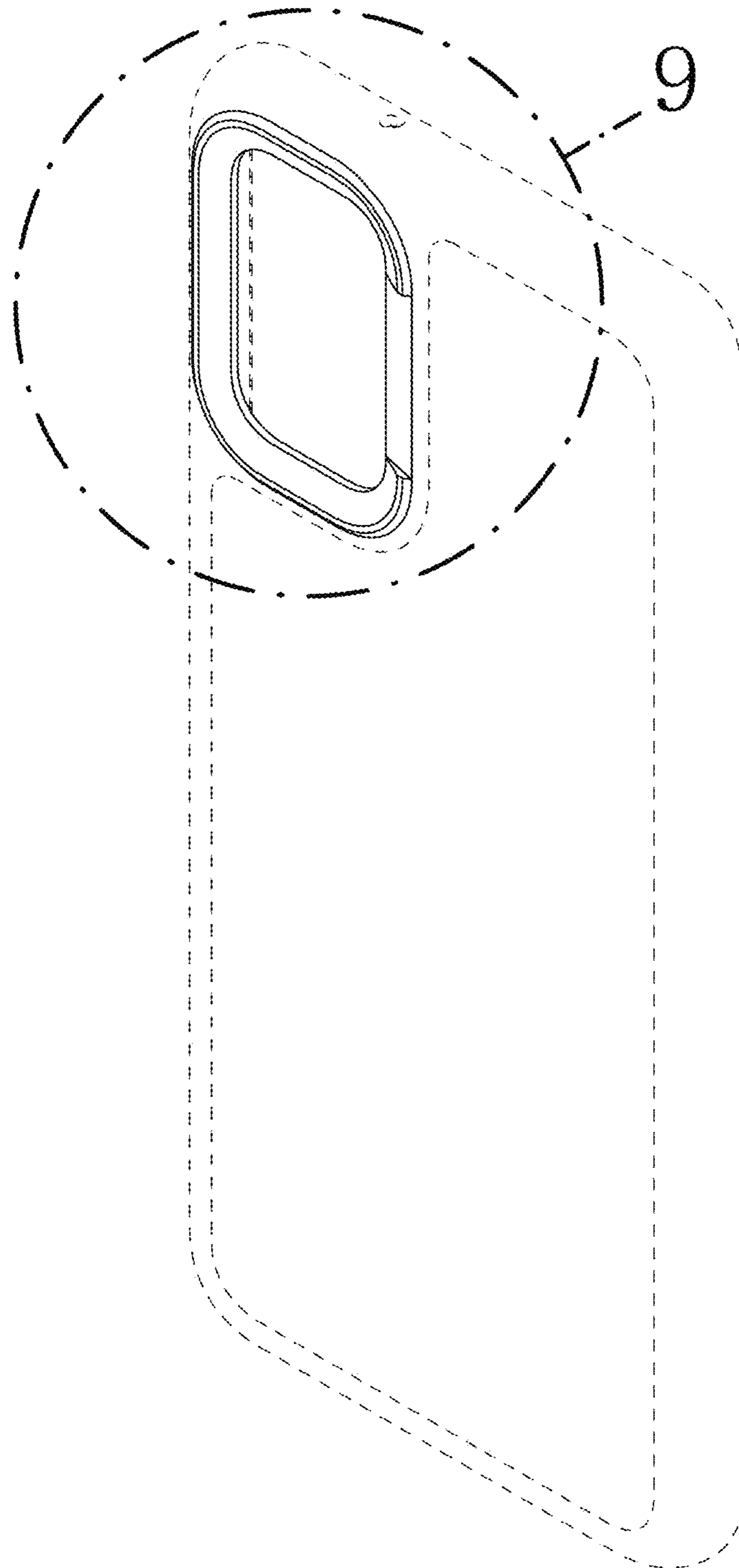


FIG. 3

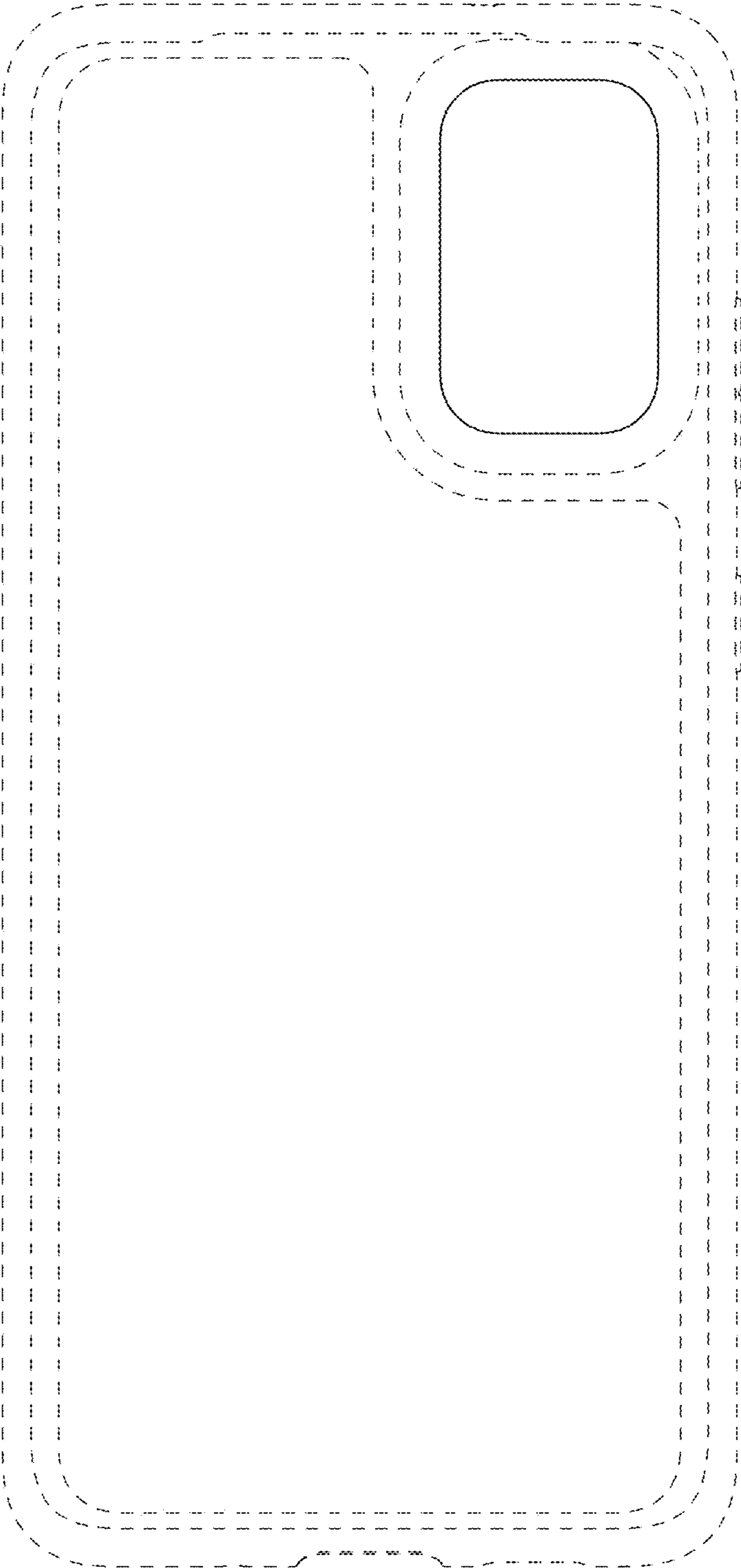


FIG. 4

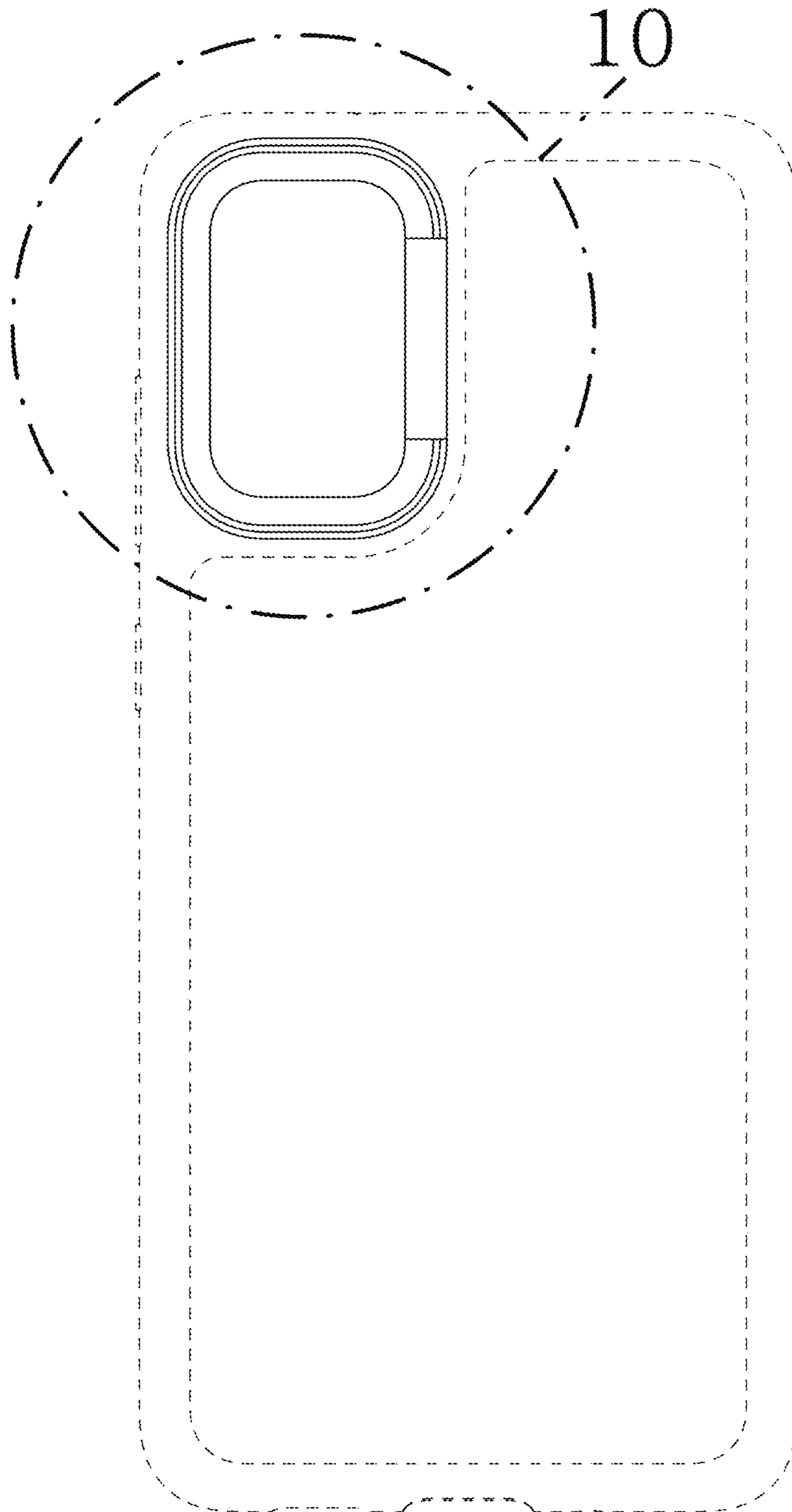


FIG. 5



FIG. 6



FIG. 7

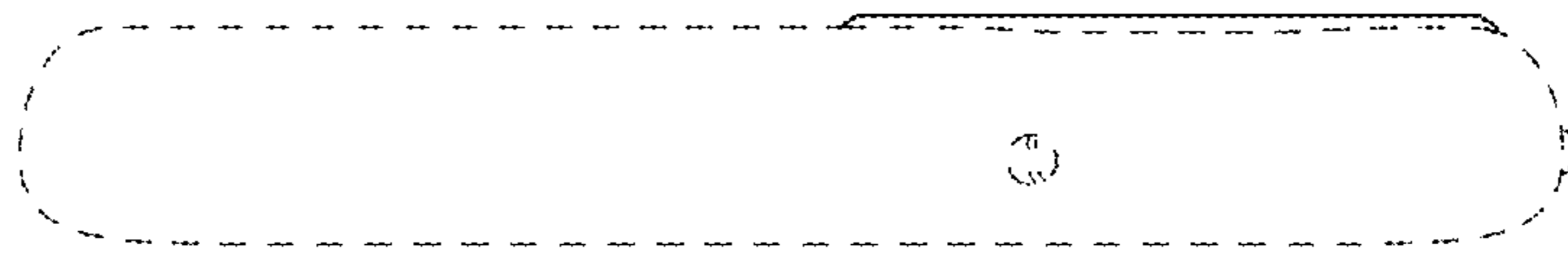


FIG. 8



FIG. 9

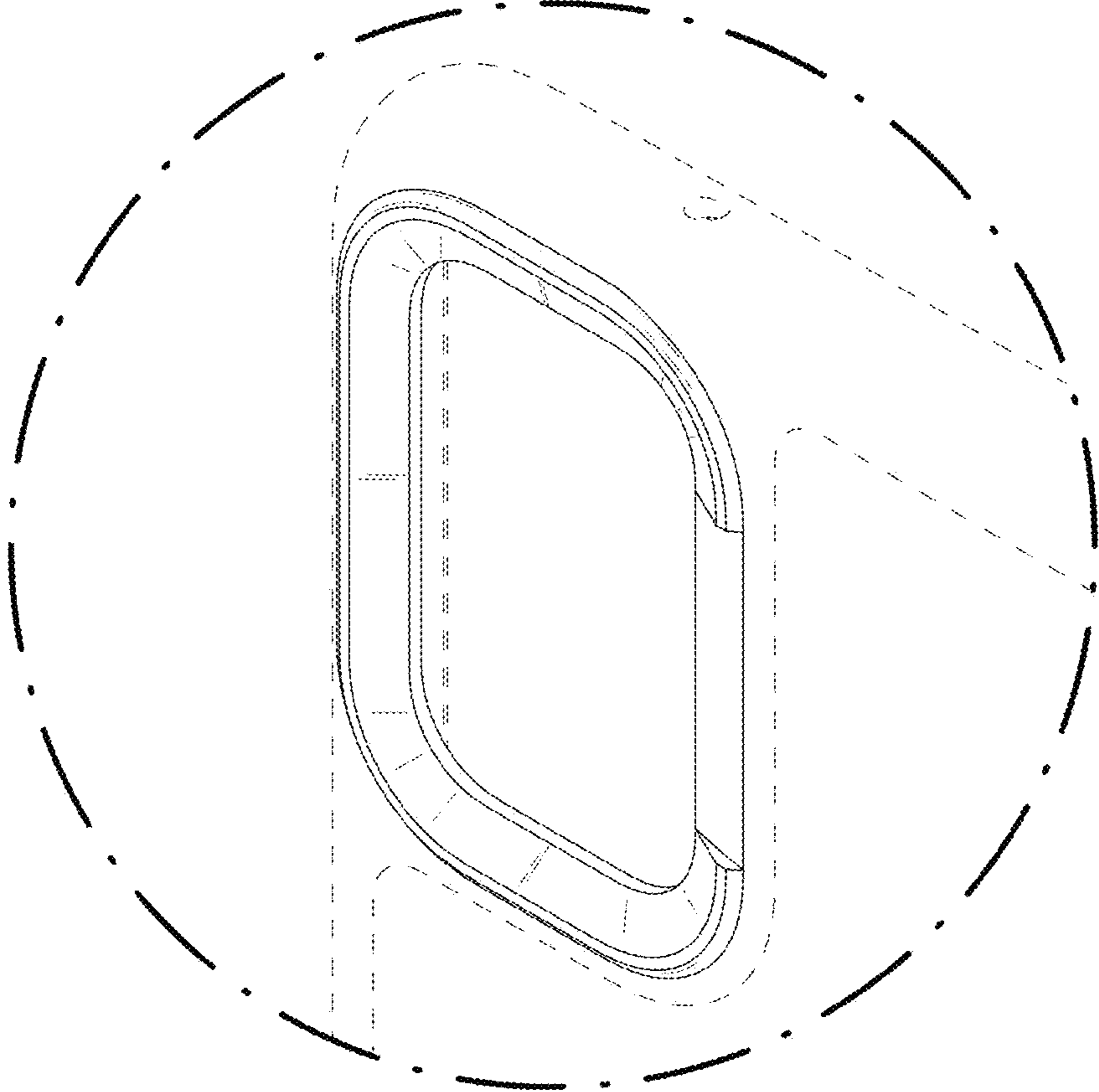


FIG. 10

