



US00D899411S

(12) **United States Design Patent** (10) **Patent No.:** **US D899,411 S**  
**Liu** (45) **Date of Patent:** **\*\* Oct. 20, 2020**

(54) **CELLPHONE PROTECTIVE CASE**

(71) Applicant: **Ming Liu**, Guangdong (CN)

(72) Inventor: **Ming Liu**, Guangdong (CN)

(\*\*) Term: **15 Years**

(21) Appl. No.: **29/649,690**

(22) Filed: **May 31, 2018**

(51) **LOC (12) Cl.** ..... **14-03**

(52) **U.S. Cl.**

USPC ..... **D14/250**; D3/218; D3/247; D3/249

(58) **Field of Classification Search**

USPC ..... D3/201, 212, 218, 226, 227, 247, 249,  
D3/250, 269, 303; D13/103, 107, 108,  
D13/119; D14/137, 138 R, 138 AA,  
D14/138 C, 138 G, 172, 192,  
D14/203.3-203.7, 217, 238.1, 247, 248,  
D14/250-253, 434, 440, 447, 496

CPC ..... H04B 1/3888; H04M 1/0283;  
H04M 1/0202; A45C 1/06; A45C  
2011/002; A45C 11/00; A45F 2005/028;  
A45F 2200/0525

See application file for complete search history.

(56) **References Cited**

**U.S. PATENT DOCUMENTS**

|           |     |         |                 |       |                      |
|-----------|-----|---------|-----------------|-------|----------------------|
| 1,874,554 | A * | 8/1932  | Liedel          | ..... | A45C 1/08<br>150/136 |
| 1,918,868 | A * | 7/1933  | Rolfs           | ..... | A45C 1/06<br>150/139 |
| D131,097  | S * | 1/1942  | Humphrey et al. | ..... | D3/250               |
| D139,417  | S * | 11/1944 | Glafke          | ..... | D27/175              |
| 4,536,975 | A * | 8/1985  | Harrell         | ..... | A43B 1/0072<br>2/245 |
| 5,610,979 | A * | 3/1997  | Yu              | ..... | A45F 5/02<br>379/426 |
| D549,449  | S * | 8/2007  | Malhotra        | ..... | D3/218               |
| D602,689  | S * | 10/2009 | Hewitt          | ..... | D3/247               |
| D620,258  | S * | 7/2010  | Fahrendorff     | ..... | D3/299               |

|          |     |         |              |       |         |
|----------|-----|---------|--------------|-------|---------|
| D659,384 | S * | 5/2012  | January      | ..... | D3/218  |
| D668,039 | S * | 10/2012 | Graham       | ..... | D3/218  |
| D681,949 | S * | 5/2013  | Kershenstein | ..... | D3/249  |
| D705,535 | S * | 5/2014  | Stapleton    | ..... | D2/946  |
| D740,548 | S * | 10/2015 | Hassler      | ..... | D3/218  |
| D782,816 | S * | 4/2017  | Boyd         | ..... | D3/218  |
| D793,077 | S * | 8/2017  | Zhang        | ..... | D3/218  |
| D795,580 | S * | 8/2017  | Grimmer      | ..... | D3/299  |
| D803,207 | S * | 11/2017 | Karis        | ..... | D14/250 |
| D851,921 | S * | 6/2019  | Goetz        | ..... | D3/218  |
| D880,149 | S * | 4/2020  | Yang         | ..... | D3/226  |

(Continued)

*Primary Examiner* — Susan E Krakower

*Assistant Examiner* — L. A. Grabenstetter

(74) *Attorney, Agent, or Firm* — HYIP

(57) **CLAIM**

The ornamental design for a cellphone protective case, as shown and described.

**DESCRIPTION**

FIG. 1 is a front elevational view of a cellphone protective case showing my new design;

FIG. 2 is a rear elevational view thereof;

FIG. 3 is a left side elevational view thereof;

FIG. 4 is a right side elevational view thereof;

FIG. 5 is a top plan view thereof;

FIG. 6 is a bottom plan view thereof;

FIG. 7 is a front perspective view thereof, illustrated in a folded position;

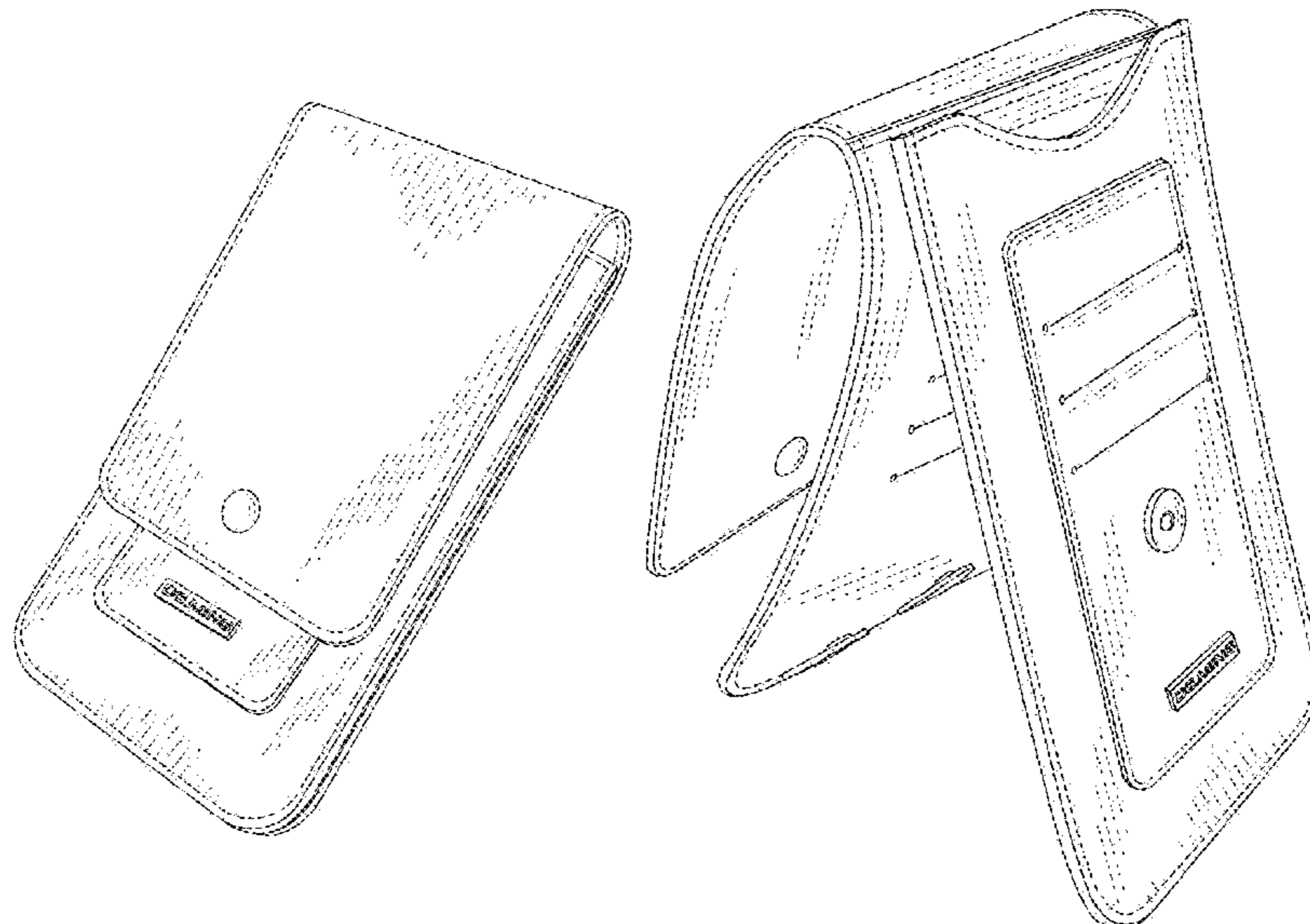
FIG. 8 is an perspective view thereof, illustrated in an unfolded position;

FIG. 9 is a rear perspective view thereof, illustrated in an unfolded position; and,

FIG. 10 is another perspective view thereof, illustrated in an unfolded position.

The broken lines shown in drawings are for the purpose of illustrating stitching on the cellphone protective case and form part of the claimed design.

**1 Claim, 10 Drawing Sheets**



(56)

**References Cited**

U.S. PATENT DOCUMENTS

2006/0287006 A1\* 12/2006 McIntyre ..... H04M 1/15  
455/569.1

\* cited by examiner

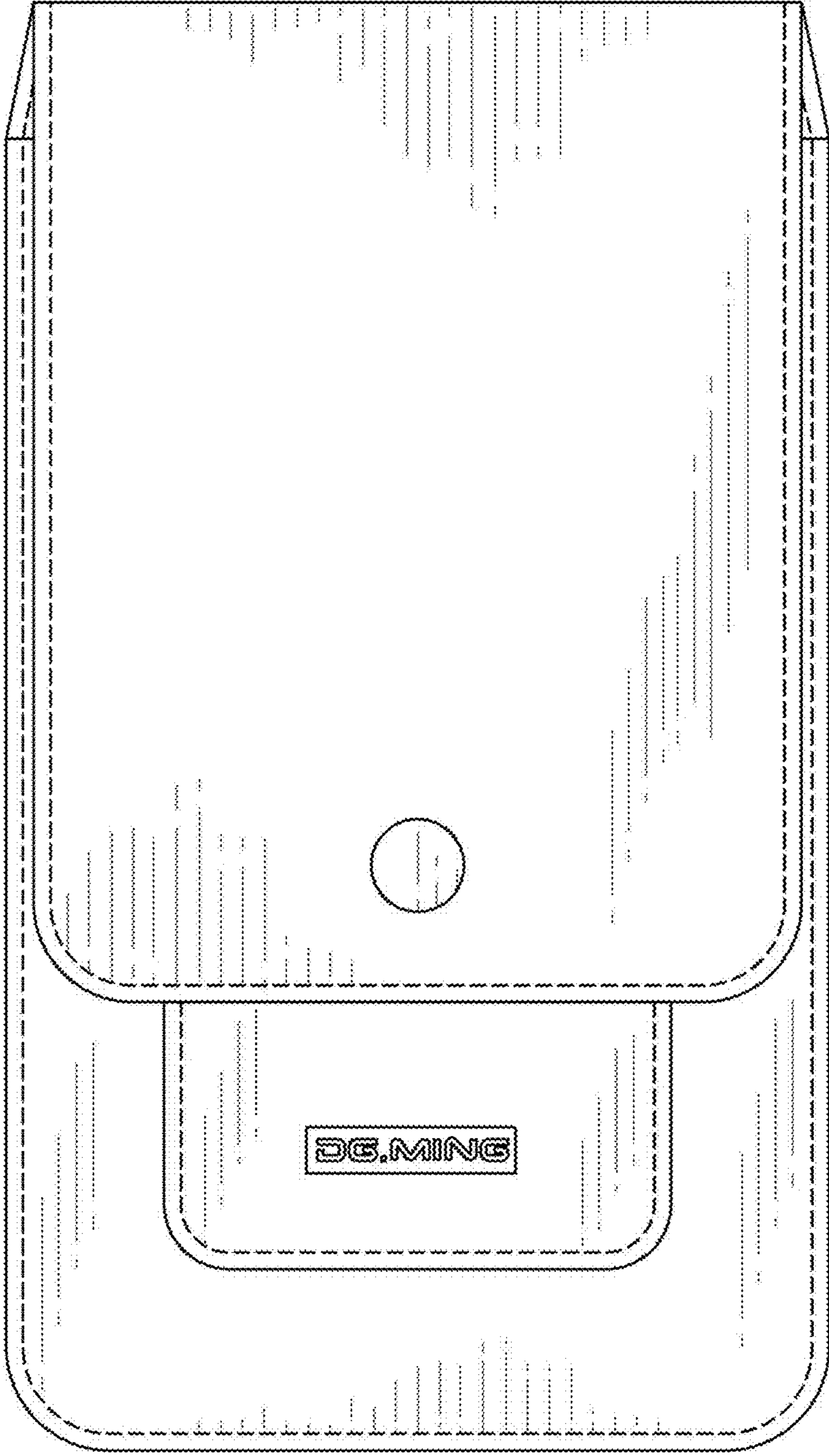


FIG.1

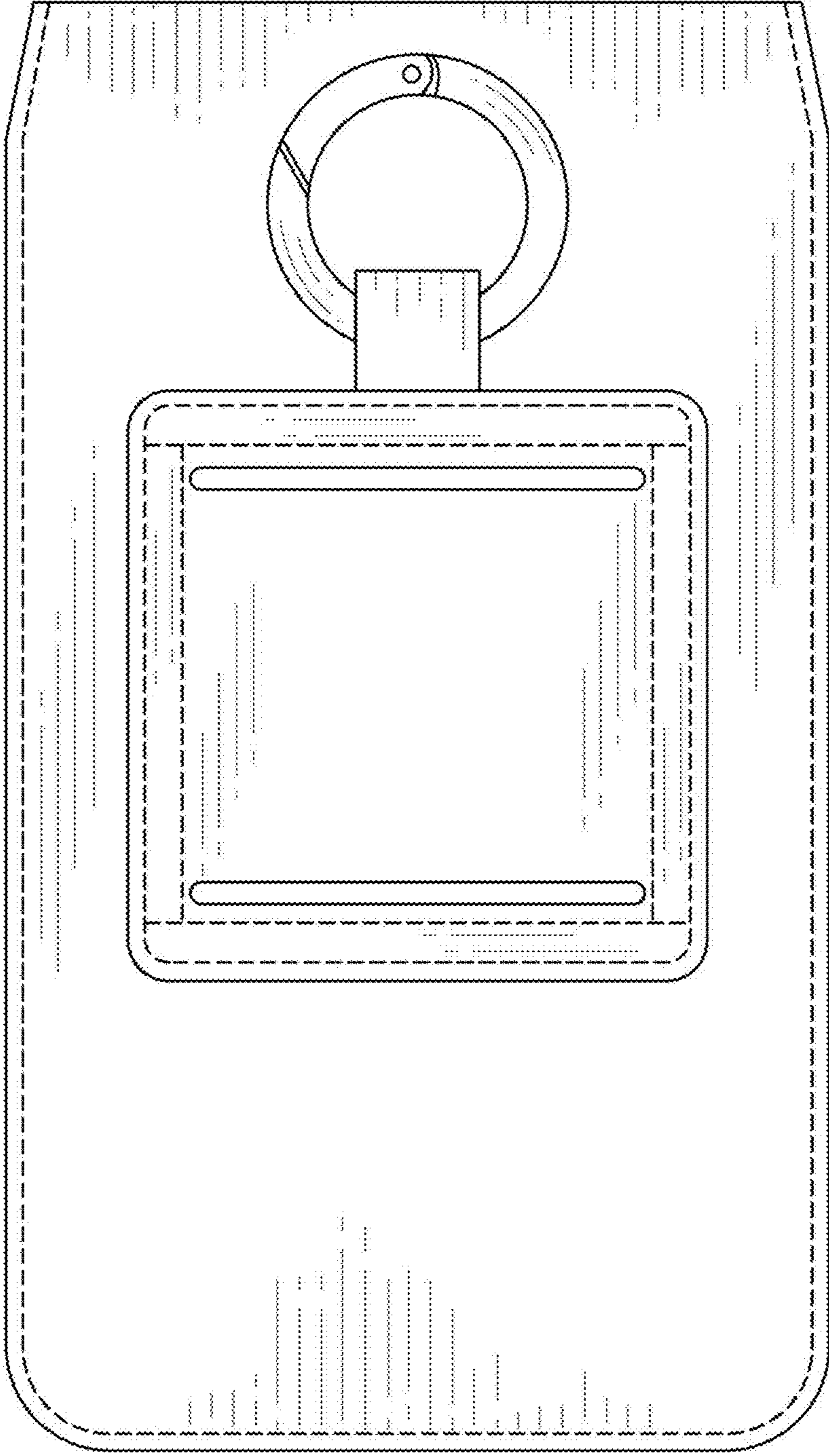


FIG.2

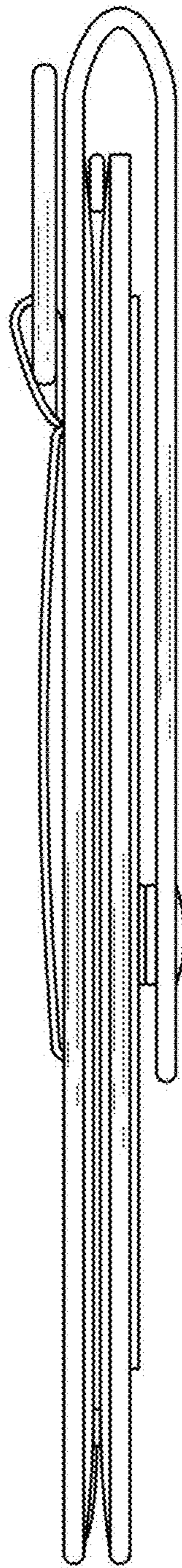


FIG.3

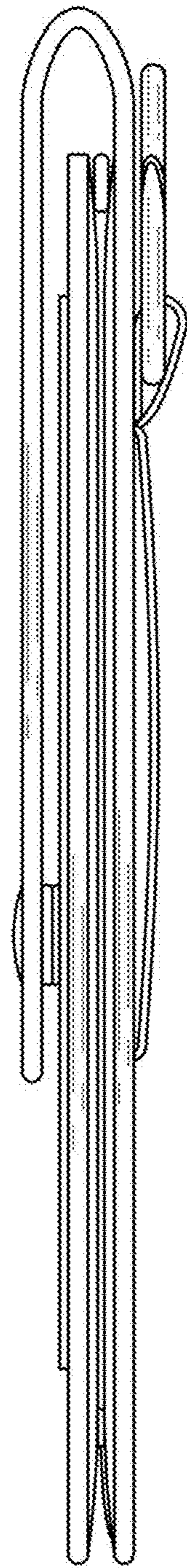


FIG.4

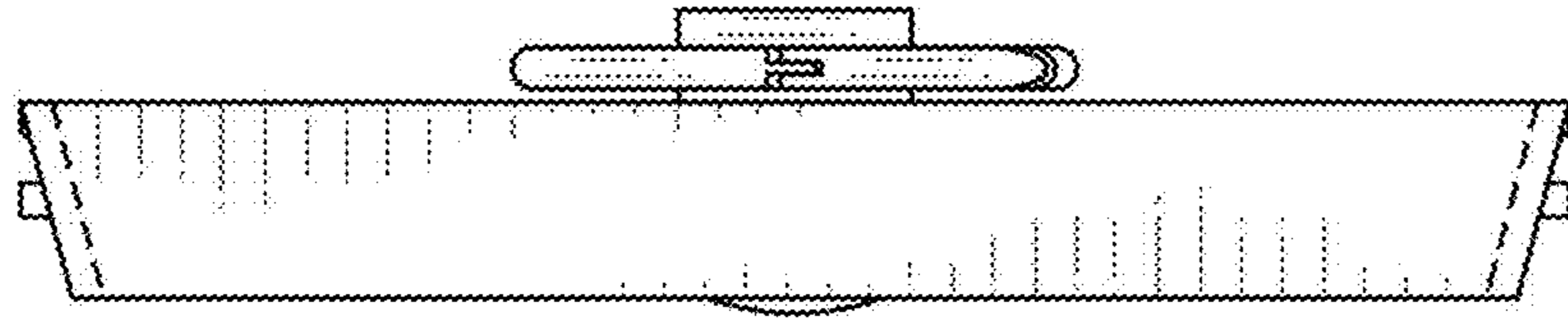


FIG.5

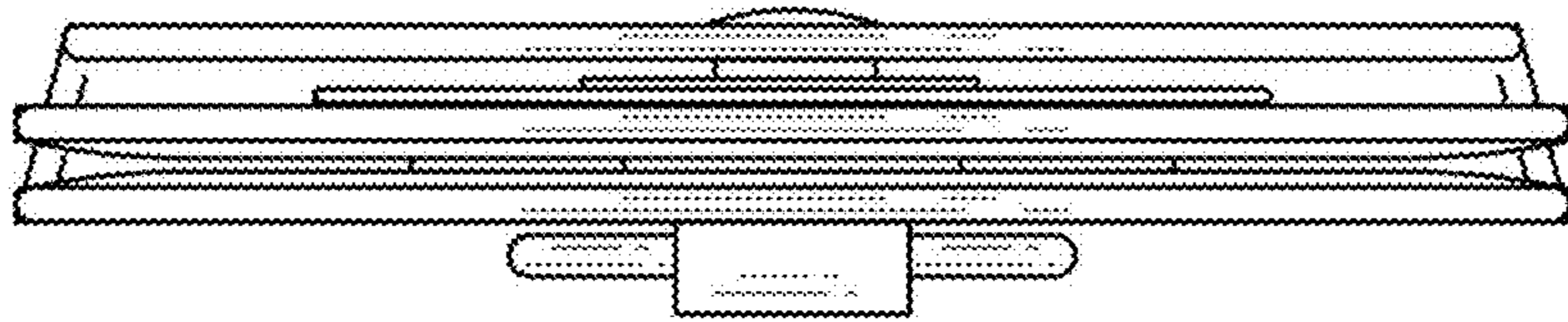


FIG.6



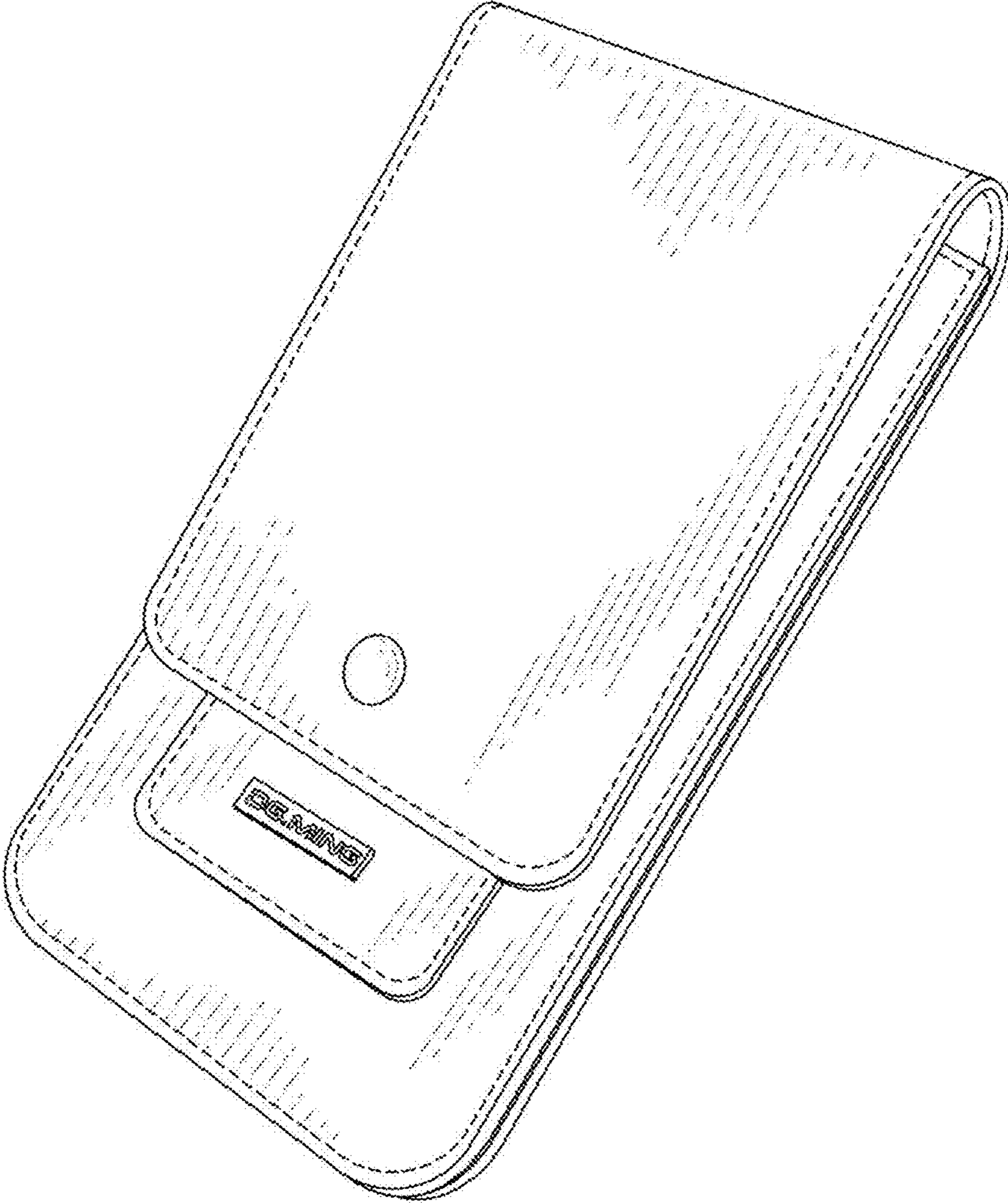


FIG.7

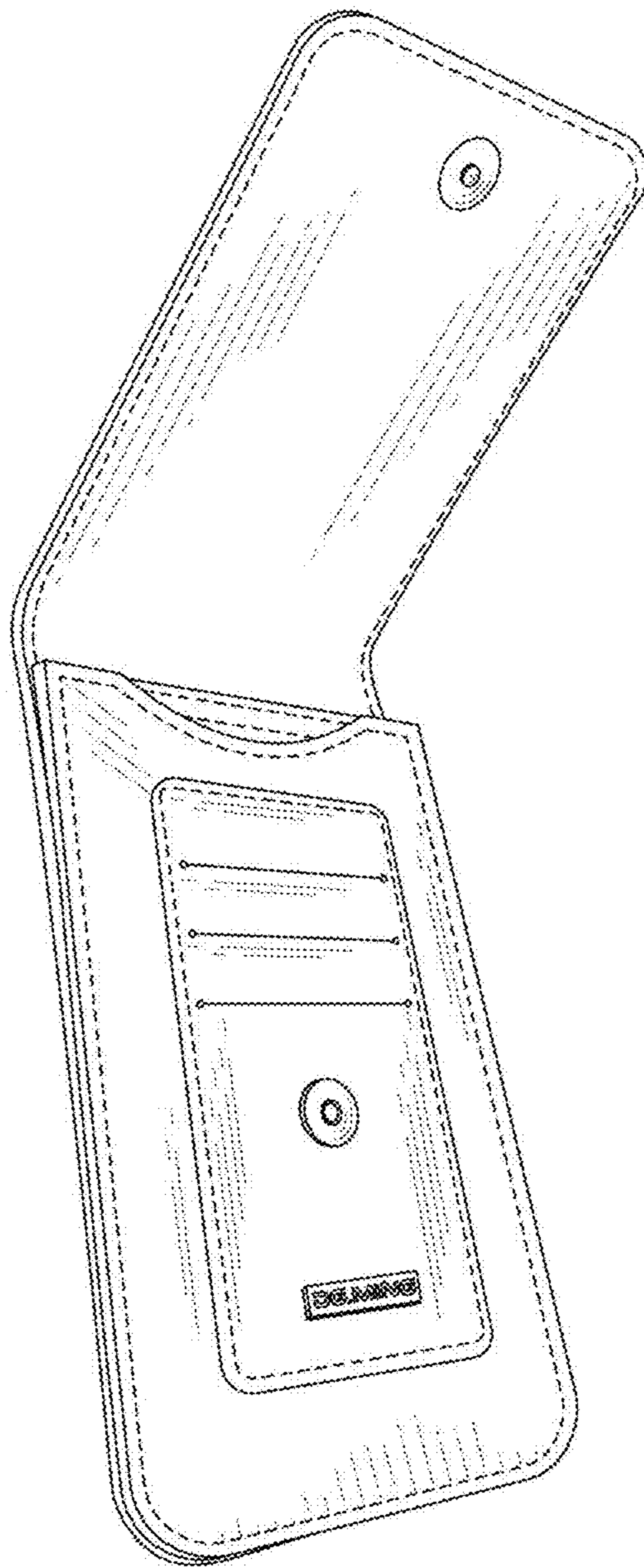


FIG.8

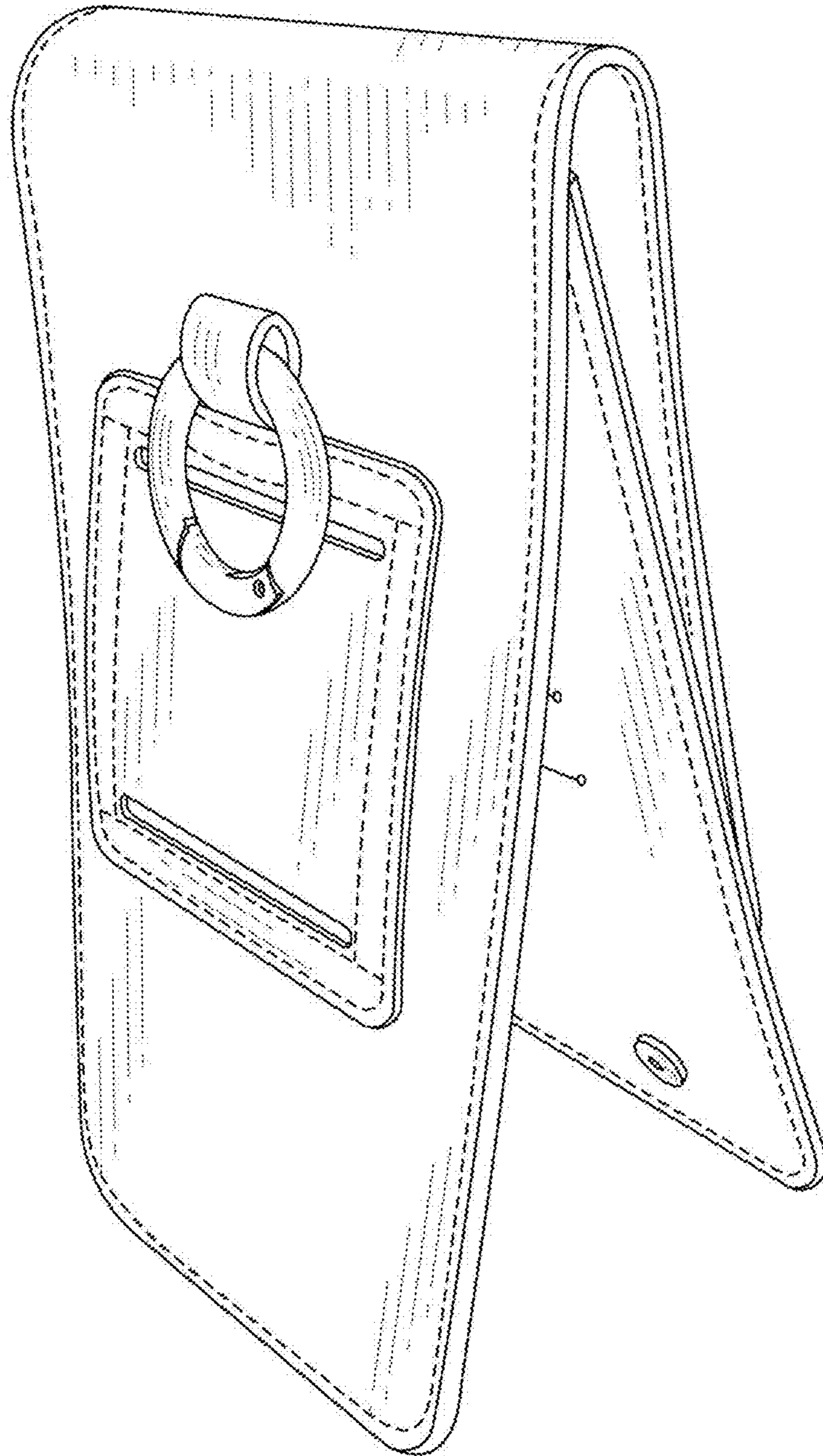


FIG. 9

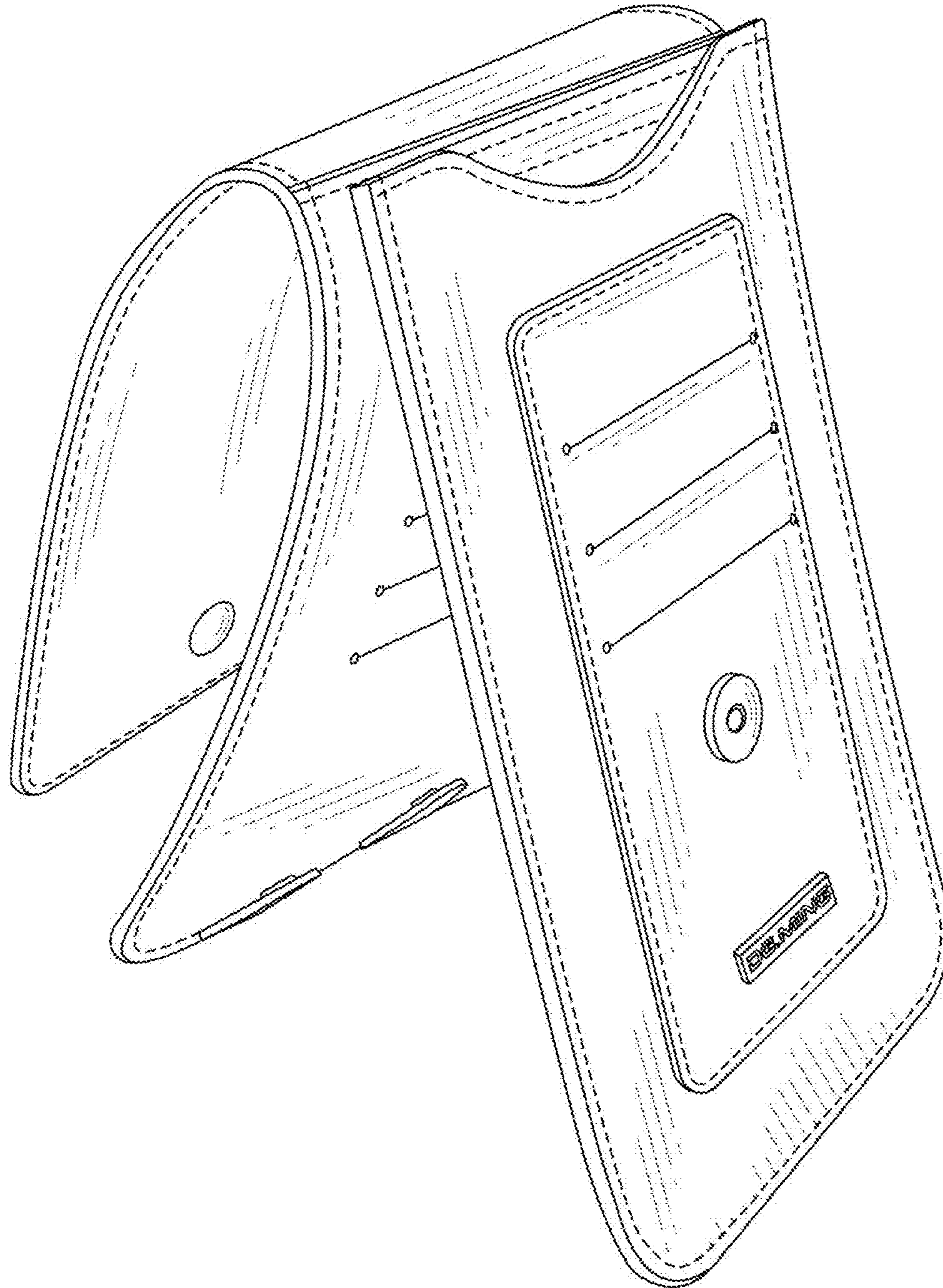


FIG.10