



US00D899407S

(12) **United States Design Patent**
Mai

(10) **Patent No.:** **US D899,407 S**

(45) **Date of Patent:** **** Oct. 20, 2020**

(54) **MICROPHONE**

(71) Applicant: **SHENZHEN XUNWEIJIA TECHNOLOGY DEVELOPMENT CO., LTD.**

(72) Inventor: **Qibin Mai, Shenzhen (CN)**

(73) Assignee: **SHENZHEN XUNWEIJIA TECHNOLOGY DEVELOPMENT CO., LTD., Shenzhen (CN)**

(**) Term: **15 Years**

(21) Appl. No.: **29/728,838**

(22) Filed: **Mar. 21, 2020**

(51) **LOC (12) Cl.** **14-01**

(52) **U.S. Cl.**
USPC **D14/227; D14/228**

(58) **Field of Classification Search**
USPC D14/227, 228, 229, 225, 211; D21/483;
D26/63; D16/244; D6/681; 381/363,
381/355, 361, 122; 248/188.7, 121,
248/185.1, 125.1, 166

CPC H04R 25/00; H04R 19/04; H04R 1/1908;
H04R 1/02; A47B 85/00

See application file for complete search history.

(56) **References Cited**

U.S. PATENT DOCUMENTS

- 1,893,799 A * 1/1933 Harrington B01L 9/00
248/188.7
- 2,131,593 A * 9/1938 Marshall H04R 1/083
181/148
- D171,055 S * 12/1953 Schell D14/225
- D176,069 S * 11/1955 Kamp D14/229
- D179,540 S * 1/1957 Knechtsberger D14/227
- D181,416 S * 11/1957 Hewitt D23/370
- 3,054,588 A * 9/1962 Ondrasik D06F 79/02
248/117.2

- 3,383,476 A * 5/1968 Morgan H04R 1/222
381/357
- 3,505,515 A * 4/1970 Adra F21V 21/30
362/371
- 3,573,401 A * 4/1971 Lininger H04R 1/08
381/363
- D222,072 S * 9/1971 Millburn D14/211
- D233,669 S * 11/1974 Plice D14/228
- 4,480,809 A * 11/1984 Healey F16M 11/10
248/185.1
- 4,501,201 A * 2/1985 Fitzner F16M 11/041
108/150
- 4,964,606 A * 10/1990 Beam F16M 11/14
248/188.5

(Continued)

FOREIGN PATENT DOCUMENTS

CN 305938687 * 7/2020

Primary Examiner — Paula Allen Greene

(74) *Attorney, Agent, or Firm* — Law Offices of Steven W. Weinrieb

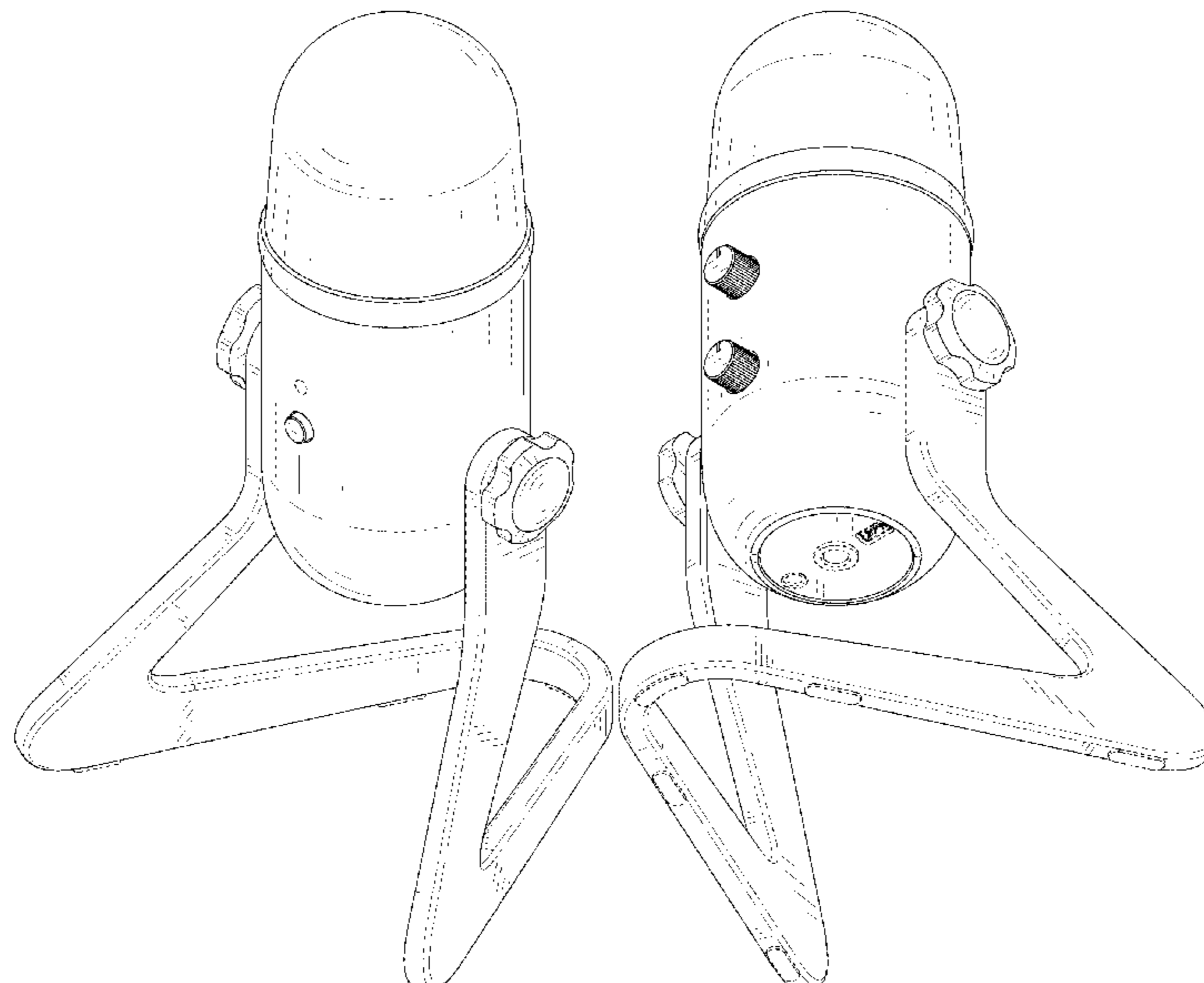
(57) **CLAIM**

The ornamental design for a microphone, as shown and described.

DESCRIPTION

FIG. 1 is a front, right side, top perspective view of a microphone showing my new design;
 FIG. 2 is a rear, left side, bottom perspective view thereof;
 FIG. 3 is a front elevational view thereof;
 FIG. 4 is a rear elevational view thereof;
 FIG. 5 is a left side elevational view thereof;
 FIG. 6 is a right side elevational view thereof;
 FIG. 7 is a top plan view thereof; and,
 FIG. 8 is a bottom plan view thereof.
 The broken lines depict portions of the microphone that form no part of the claimed design.

1 Claim, 8 Drawing Sheets



(56)

References Cited

U.S. PATENT DOCUMENTS

4,979,759	A *	12/1990	Solovay	B62H 3/10				
					211/17				
5,048,789	A *	9/1991	Eason	F16M 11/10				
					248/188.7				
D326,969	S *	6/1992	Eason	D14/224				
D370,080	S *	5/1996	Stultz	D26/140				
5,621,846	A *	4/1997	Smith	F24C 7/065				
					248/324				
5,664,750	A *	9/1997	Cohen	F16M 11/041				
					248/229.15				
6,219,429	B1 *	4/2001	Chung	H04R 1/08				
					248/324				
D441,354	S *	5/2001	Jing	D14/228				
D447,131	S *	8/2001	Hough	D14/228				
D448,364	S *	9/2001	Chung	D14/228				
D457,876	S *	5/2002	Chung	D14/228				
D464,041	S *	10/2002	Ming-Cheng	D14/227				
D466,495	S *	12/2002	Beraut	D14/227				
D505,670	S *	5/2005	Hoehn	D14/211				
D529,484	S *	10/2006	Probst	D14/228				
D535,645	S *	1/2007	Probst	D14/225				
7,412,069	B2 *	8/2008	Workman	H04R 1/08				
					381/363				
D594,856	S *	6/2009	Marshall	D14/228				
D604,274	S *	11/2009	Durrett	D14/228				
D629,549	S *	12/2010	Feigenbaum	D26/63				
D634,737	S *	3/2011	Lippert	D14/229				
D645,184	S *	9/2011	Zhan	D26/63				
D704,168	S *	5/2014	Godfrey	D14/225				
D737,253	S *	8/2015	Henricksen	D14/228				
D746,797	S	1/2016	Chen						
D758,997	S	6/2016	Miller et al.						
D760,204	S *	6/2016	Wise	D14/227				
D766,303	S *	9/2016	Anzures	D14/486				
D834,004	S *	11/2018	Chen	D14/226				
D834,564	S *	11/2018	Chen	D14/226				
D835,612	S *	12/2018	Tong	D14/225				
D836,090	S *	12/2018	Li	D14/227				
D842,278	S *	3/2019	Tong	D14/227				
D842,846	S *	3/2019	Mai	D14/225				
D848,404	S *	5/2019	Chen	D14/227				
D850,423	S	6/2019	Chen						
D851,073	S *	6/2019	Tong	D14/227				
D864,921	S	10/2019	Mai						
D864,922	S	10/2019	Mai						
D868,754	S	12/2019	Chou et al.						
D890,141	S *	7/2020	Chen	D14/228				

* cited by examiner

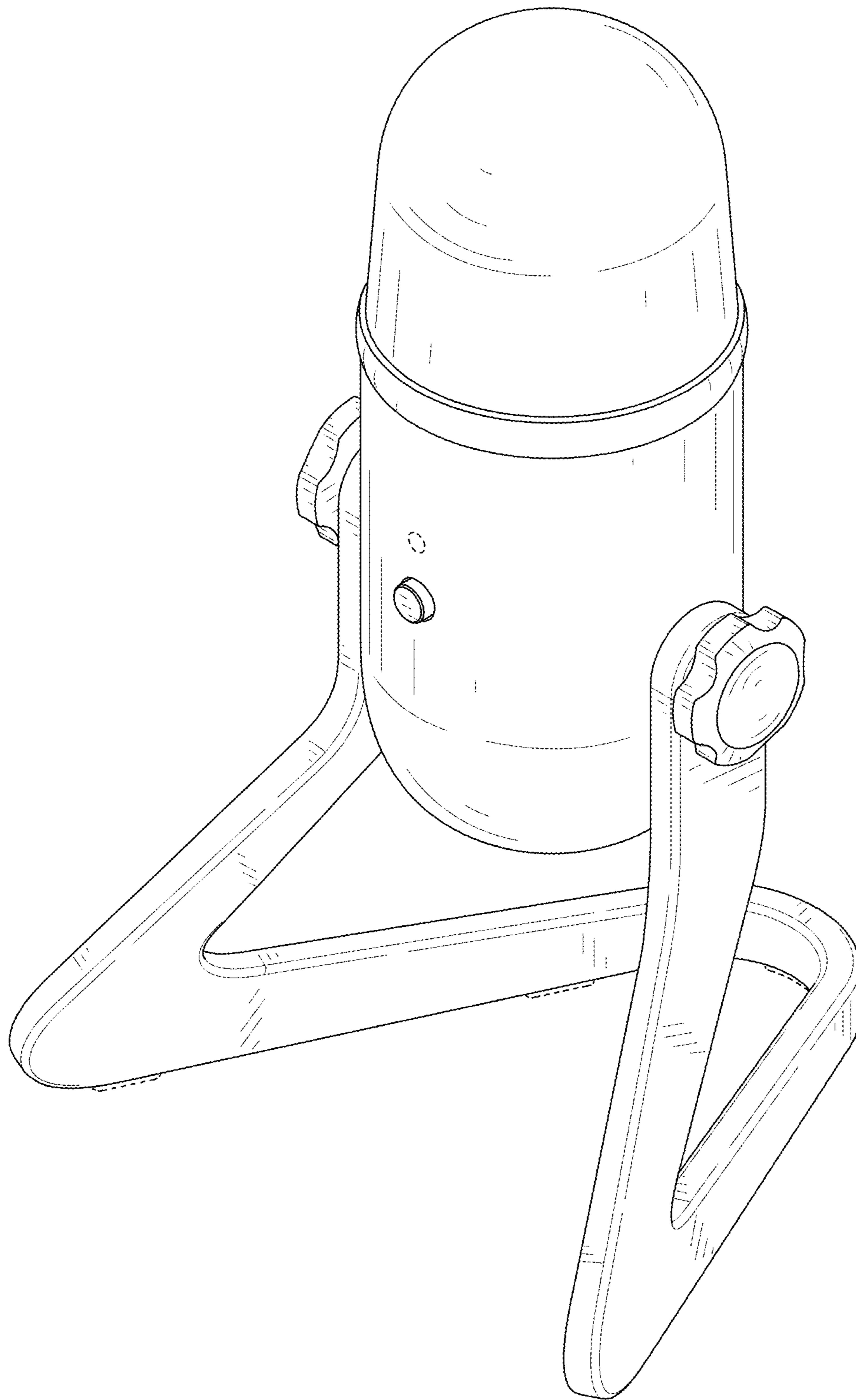


FIG. 1

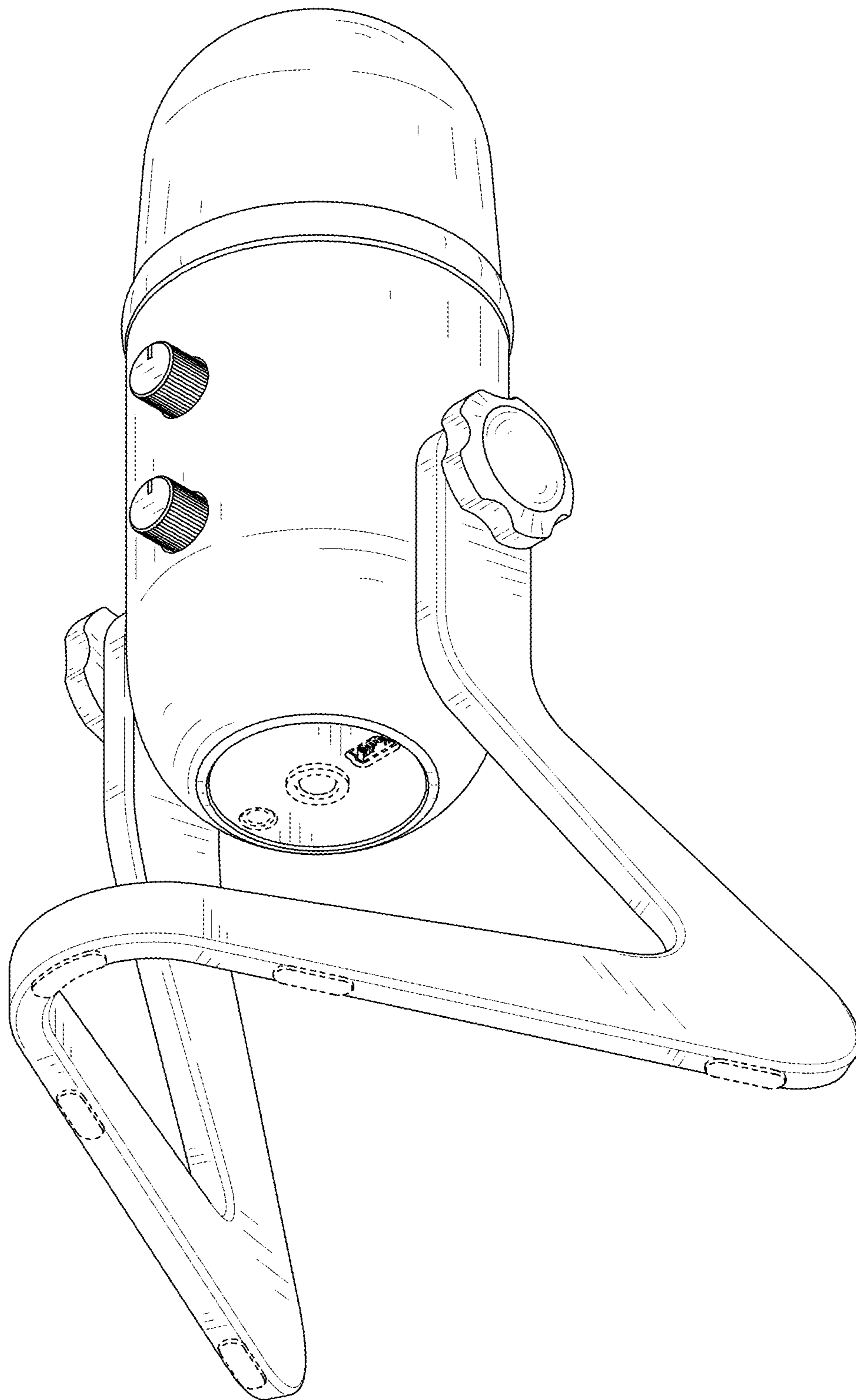


FIG. 2

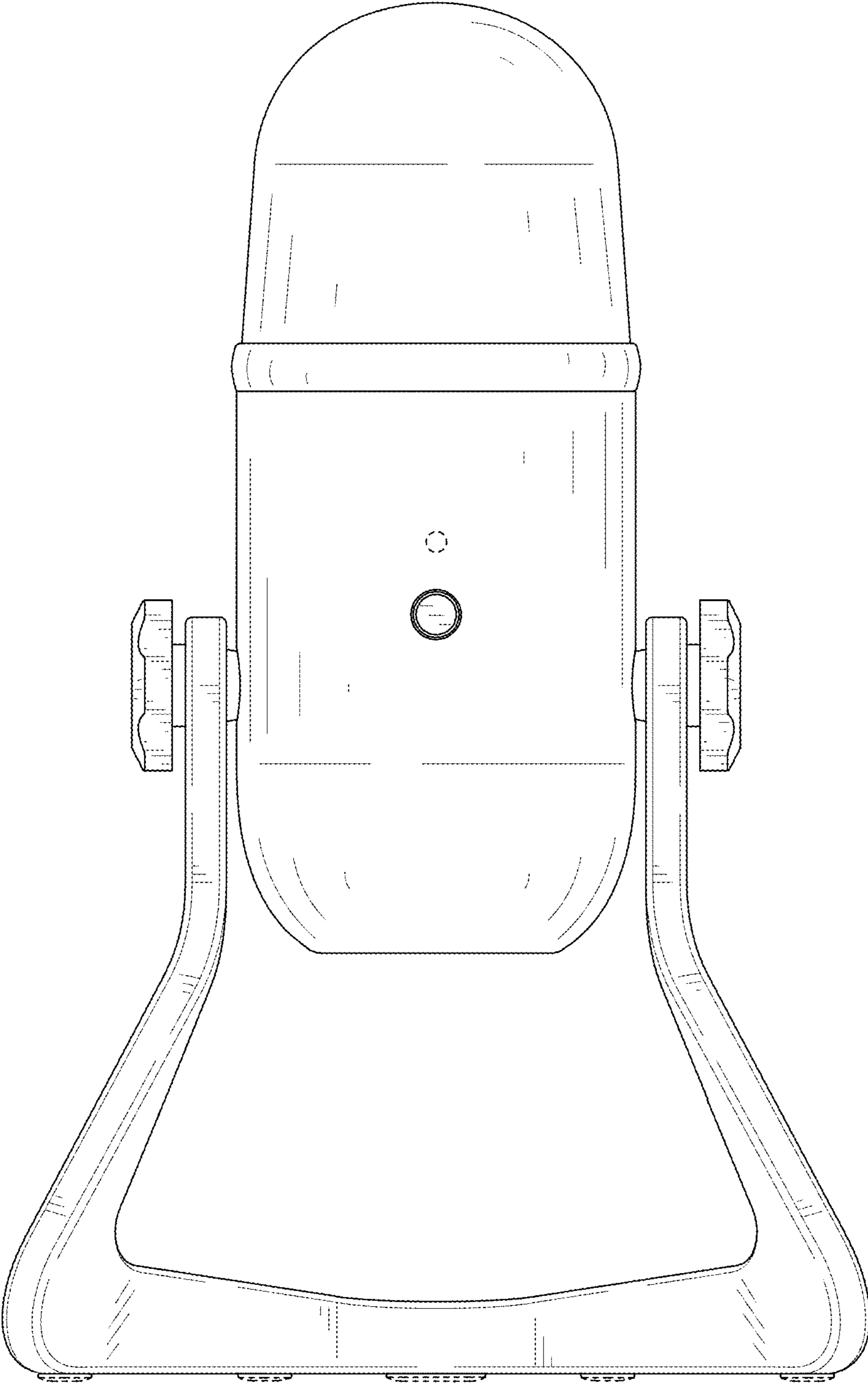


FIG. 3

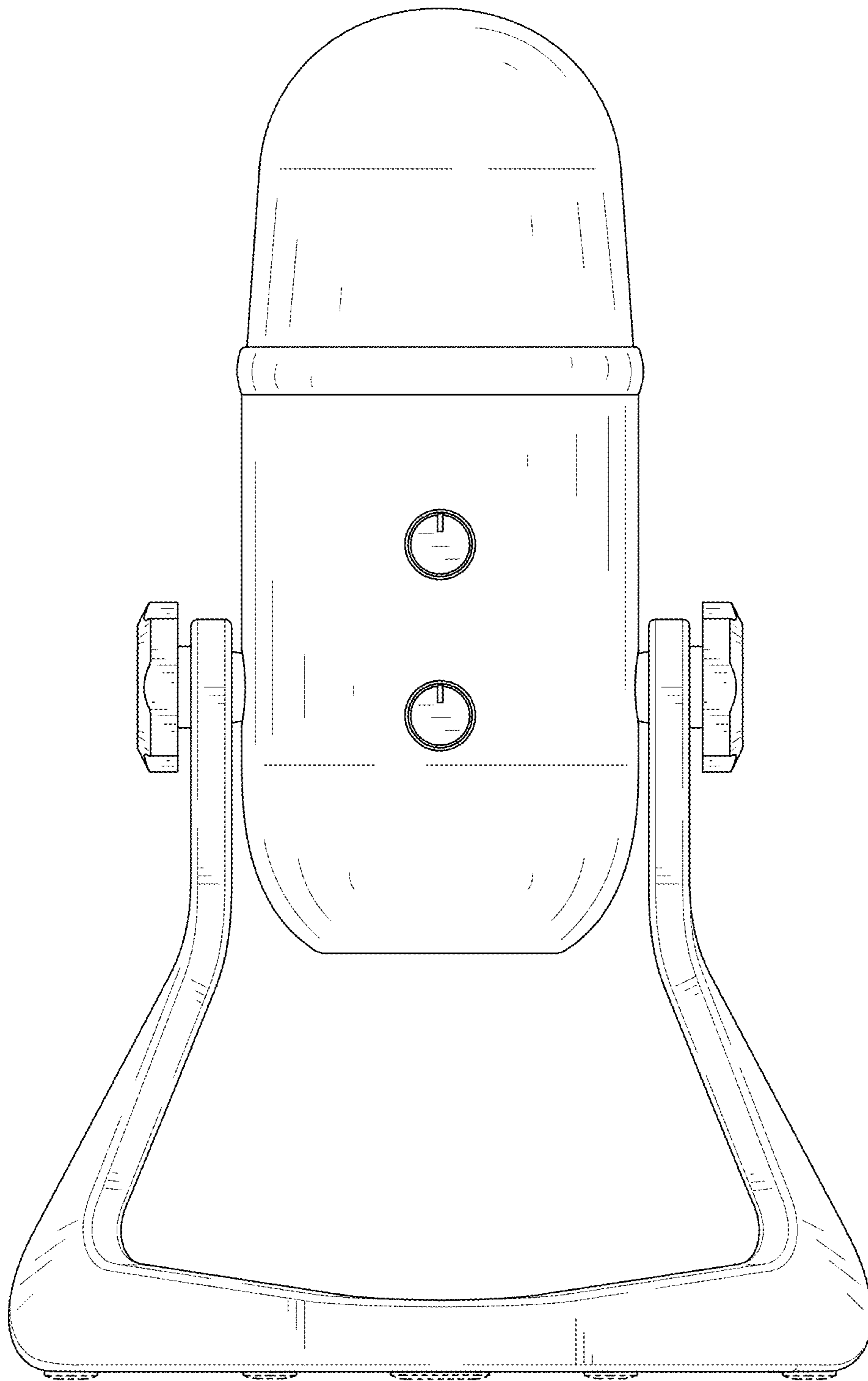


FIG. 4

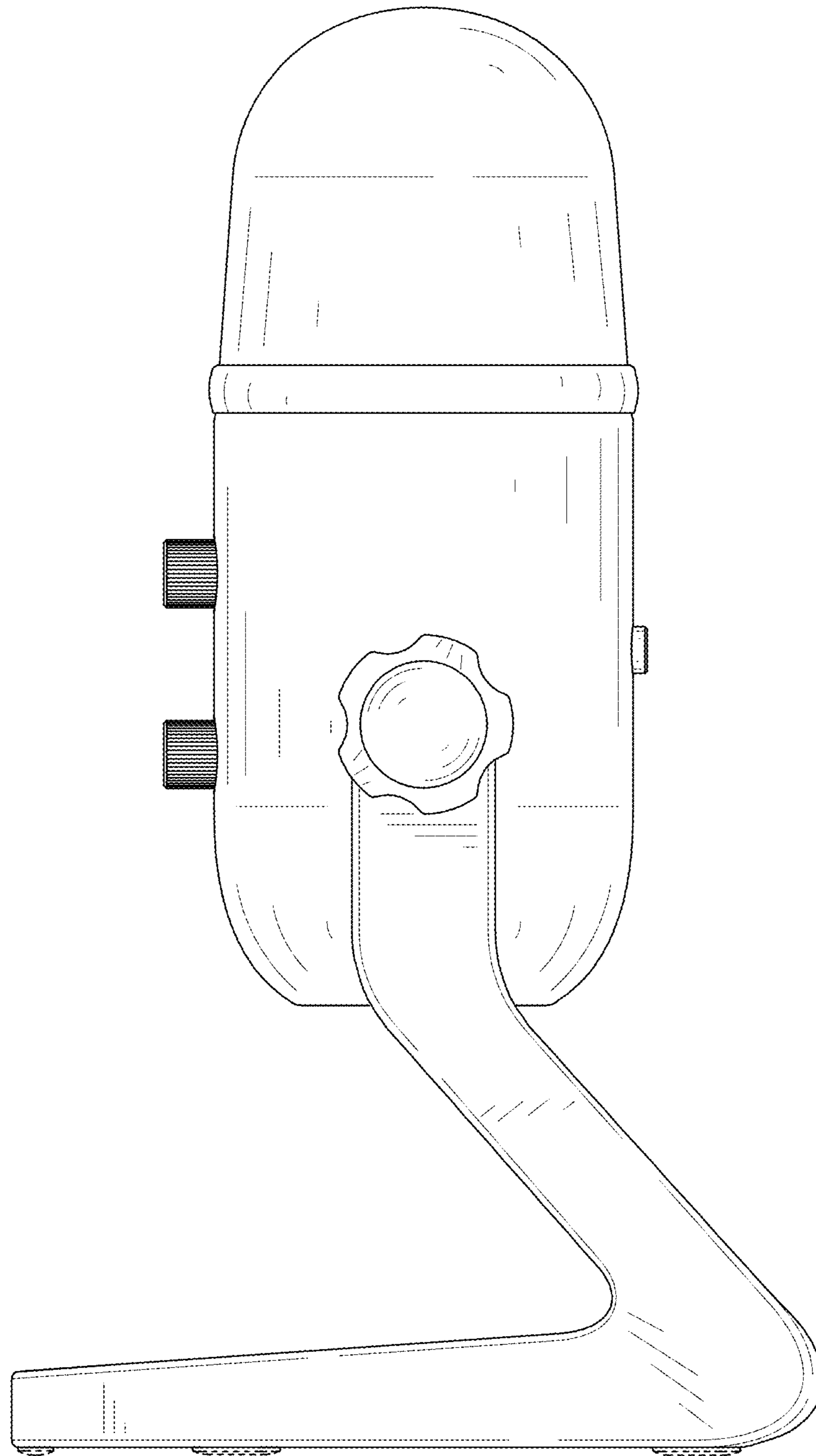


FIG. 5

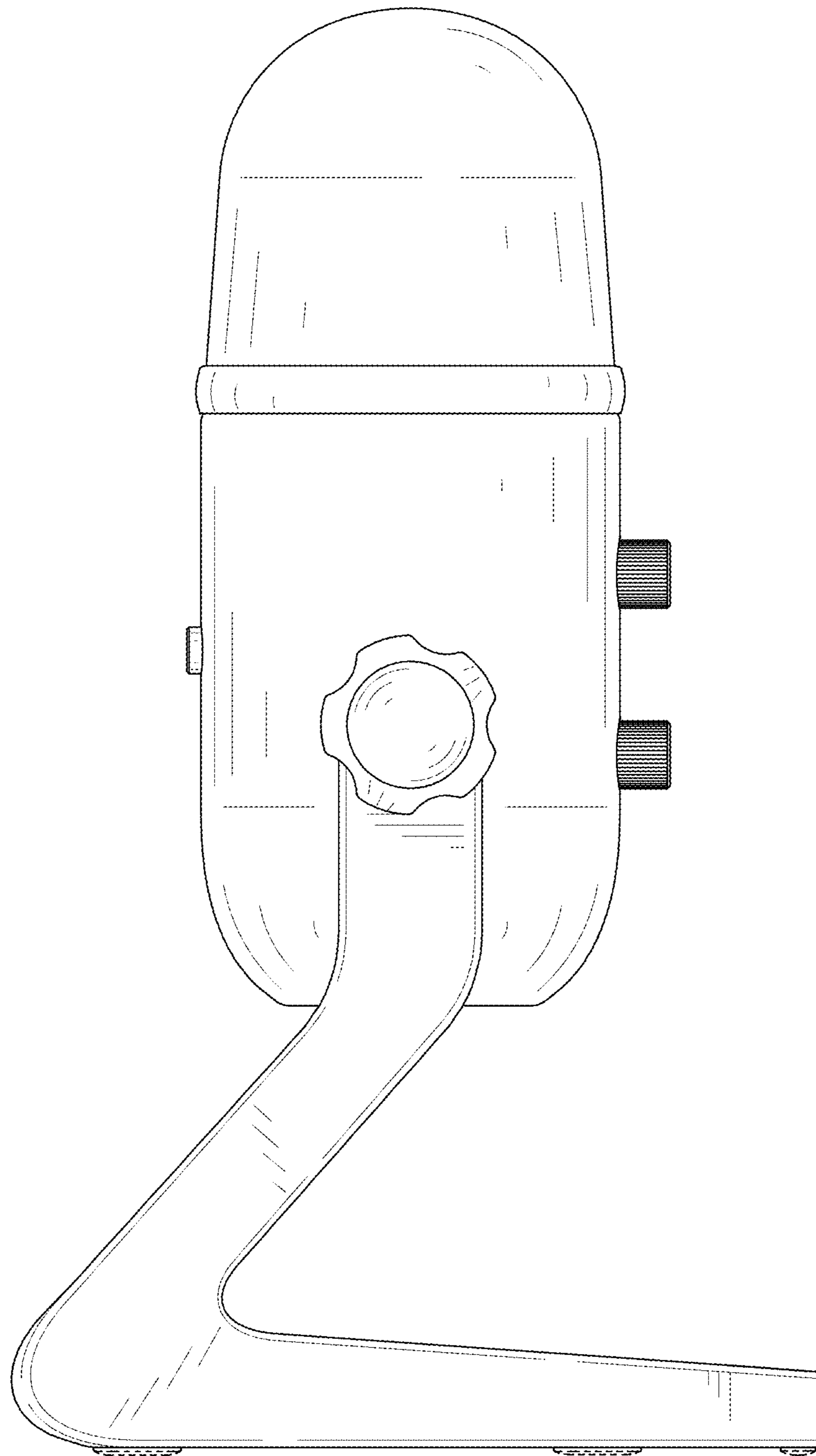


FIG. 6

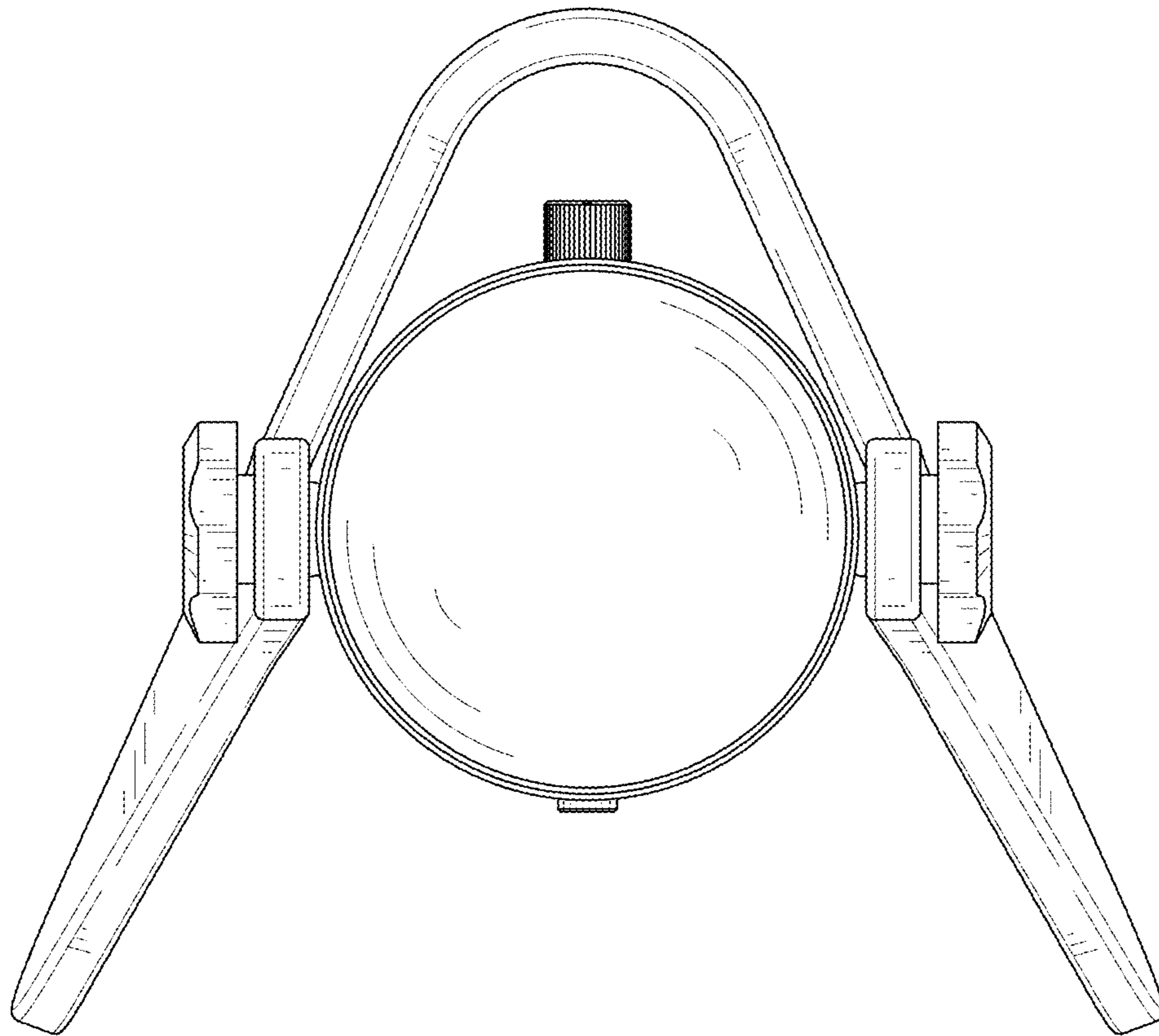


FIG. 7

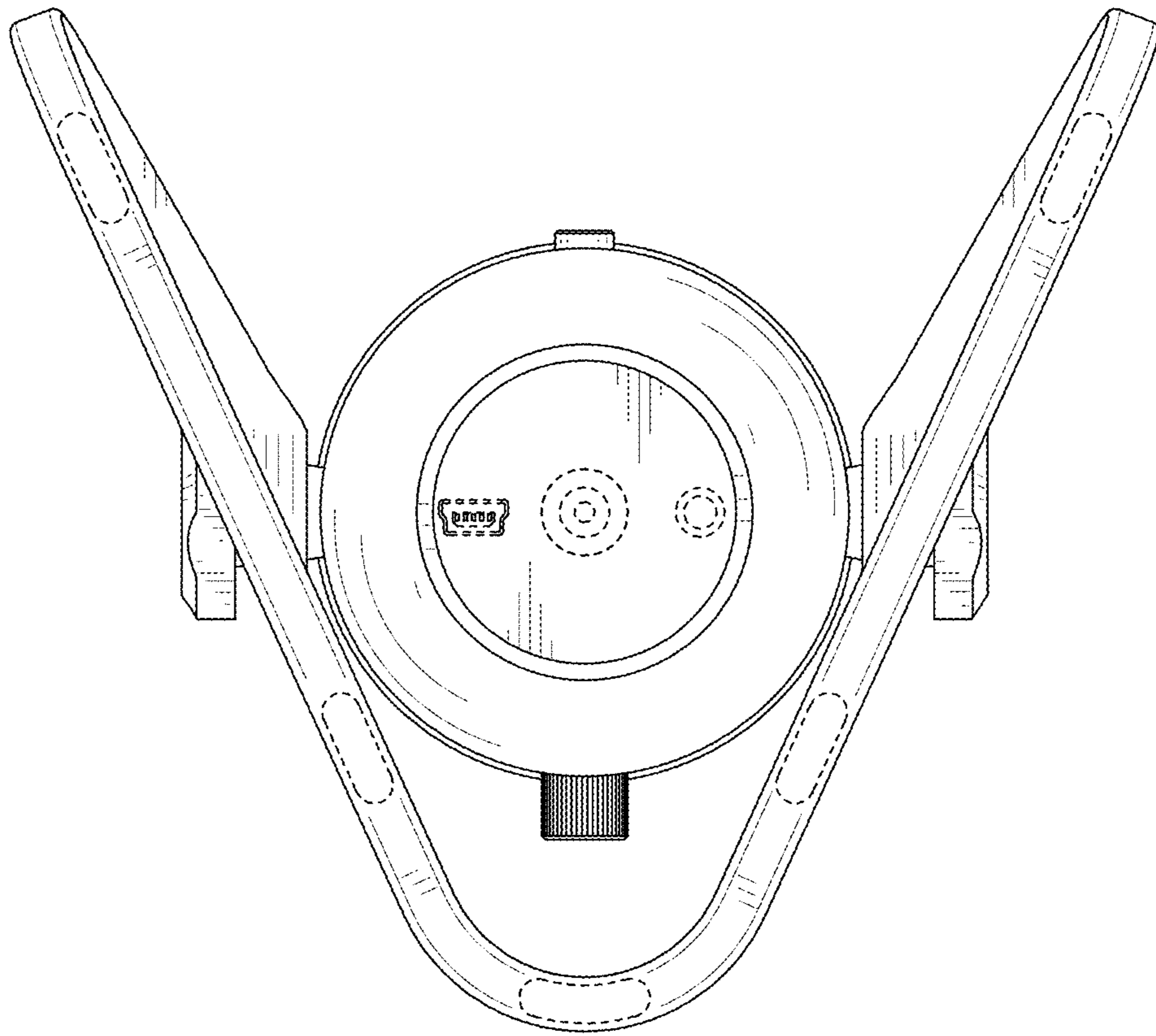


FIG. 8