



US00D899403S

(12) **United States Design Patent**
Zhu

(10) **Patent No.:** **US D899,403 S**
(45) **Date of Patent:** **** Oct. 20, 2020**

(54) **HEADPHONES**

(71) Applicant: **SHENZHEN QIANHAI PATUOXUN NETWORK AND TECHNOLOGY CO., LTD**, Shenzhen (CN)

(72) Inventor: **Qi Zhu**, Shenzhen (CN)

(73) Assignee: **SHENZHEN QIANHAI PATUOXUN NETWORK AND TECHNOLOGY CO., LTD**, Shenzhen (CN)

(**) Term: **15 Years**

(21) Appl. No.: **29/740,432**

(22) Filed: **Jul. 3, 2020**

(30) **Foreign Application Priority Data**

Jan. 6, 2020 (EM) 007481221-0004

(51) **LOC (12) Cl.** **14-01**

(52) **U.S. Cl.**
USPC **D14/206; D14/226**

(58) **Field of Classification Search**
USPC D14/206, 226, 372, 188, 192; D29/112;
2/209; 381/380, 381, 330, 374, 375;
455/90.3, 575.1, 569.1; 345/7, 8
CPC H04R 25/00; H04R 25/02; H04R 1/1066;
H04R 1/1016; H04R 5/033; H04R
5/0335; H04R 1/1091; H04R 1/08; H04R
19/04
See application file for complete search history.

(56) **References Cited**

U.S. PATENT DOCUMENTS

D361,066 S * 8/1995 Langhorn D14/142
D410,921 S * 6/1999 Luchs D14/142
6,154,539 A * 11/2000 Pitel H04M 1/05
379/430
D448,749 S * 10/2001 Weikel D14/206

D518,474 S * 4/2006 Suzuki D14/205
7,106,873 B1 * 9/2006 Harrison A61N 1/36038
381/330
7,317,810 B2 * 1/2008 Ohashi H04R 9/025
381/421
D588,098 S * 3/2009 Kurihara D14/205
7,519,196 B2 * 4/2009 Bech H04R 1/105
381/371
D637,579 S * 5/2011 Hamaura D14/205
D641,727 S * 7/2011 Krauss D14/206
D651,764 S * 1/2012 Gresko A61F 11/14
D29/112
D662,080 S * 6/2012 Carr D14/205
D673,524 S * 1/2013 Brennwald D14/206
D706,244 S * 6/2014 Goransson D14/225
D716,762 S * 11/2014 Greve D14/206
D719,136 S * 12/2014 Schaal D14/206
D721,052 S * 1/2015 Carr D14/205

(Continued)

FOREIGN PATENT DOCUMENTS

EM 007481221-0004 * 1/2020
EM 008062350-0002 * 7/2020

Primary Examiner — Paula Allen Greene

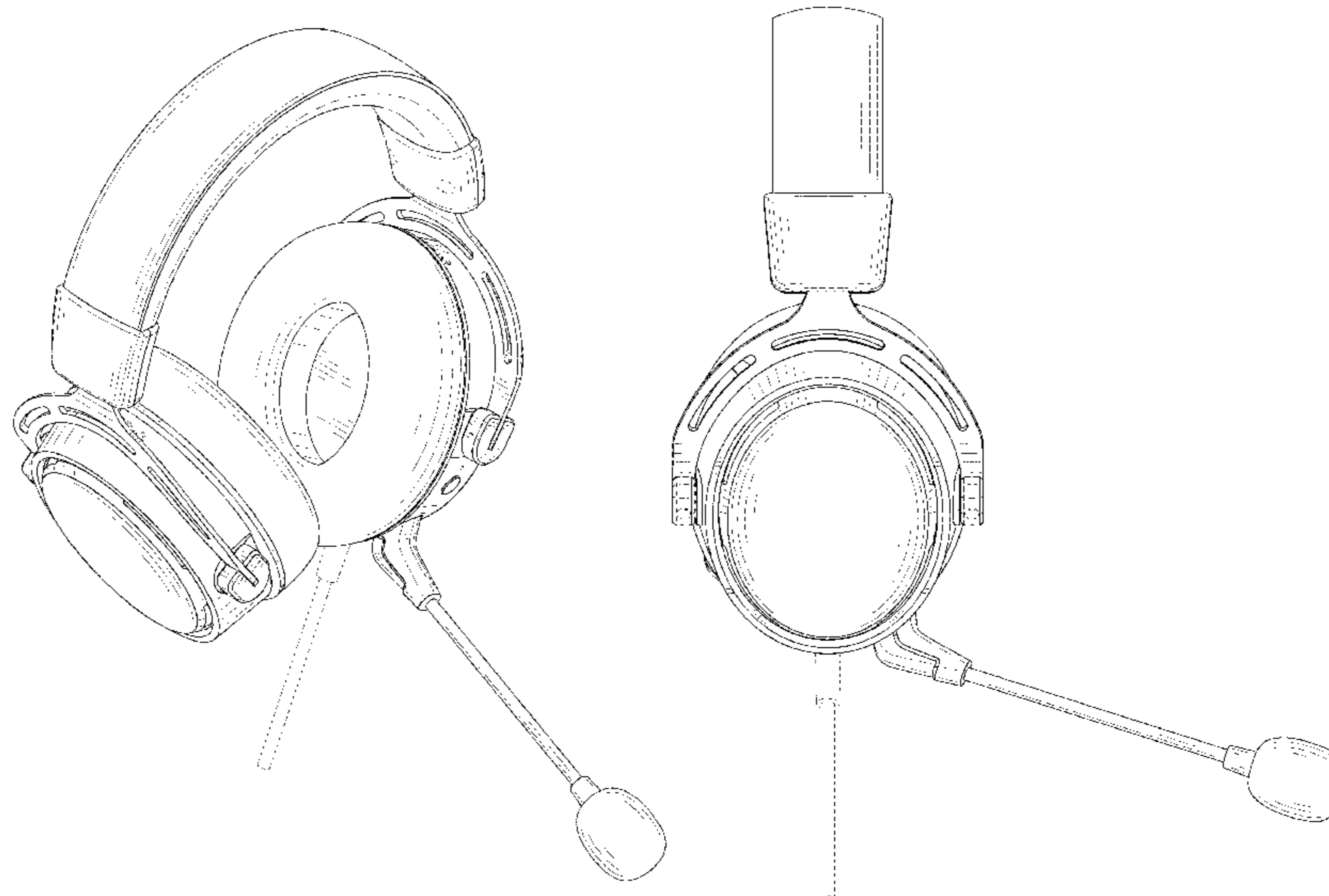
(57) **CLAIM**

The ornamental design for headphones, as shown and described.

DESCRIPTION

FIG. 1 is a perspective view of headphones showing my new design;
FIG. 2 is another perspective view thereof;
FIG. 3 is a front elevational view thereof;
FIG. 4 is a rear elevational view thereof;
FIG. 5 is a left side elevational view thereof;
FIG. 6 is a right side elevational view thereof;
FIG. 7 is a top plan view thereof; and,
FIG. 8 is a bottom plan view thereof.
The broken lines in the drawings depict portions of the headphones that form no part of the claimed design.

1 Claim, 8 Drawing Sheets



(56)

References Cited

U.S. PATENT DOCUMENTS

D727,286	S *	4/2015	Galler	D14/205
D729,196	S *	5/2015	Liu	D14/205
D734,297	S *	7/2015	Sasaki	D14/205
D740,256	S *	10/2015	Carr	D14/206
D746,790	S *	1/2016	Strasberg	D14/205
D752,017	S *	3/2016	Daniel	D14/205
D771,012	S	11/2016	Wagner	
D778,258	S *	2/2017	Hsu	D14/205
D782,999	S *	4/2017	Spio	D14/206
9,706,281	B2 *	7/2017	Hernandez Vazquez	
				H04R 1/08
D802,556	S	11/2017	Galler	
D812,588	S *	3/2018	Levine	D14/205
D818,458	S *	5/2018	Lee	D14/223
D826,209	S	8/2018	Homewood	
D832,813	S *	11/2018	Levine	D14/205
D836,084	S *	12/2018	Xie	D14/205
D838,687	S *	1/2019	Wu	D14/205
D840,370	S *	2/2019	Kelly	D14/205
D840,373	S *	2/2019	Lee	D14/206
D872,050	S *	1/2020	Liu	D14/206
D875,067	S *	2/2020	Tsubone	D14/205
D893,454	S *	8/2020	Li	D14/206
2011/0206216	A1 *	8/2011	Brunner	H04R 1/1066
				381/74
2020/0288234	*	9/2020	Fletcher	H04R 1/1066

* cited by examiner

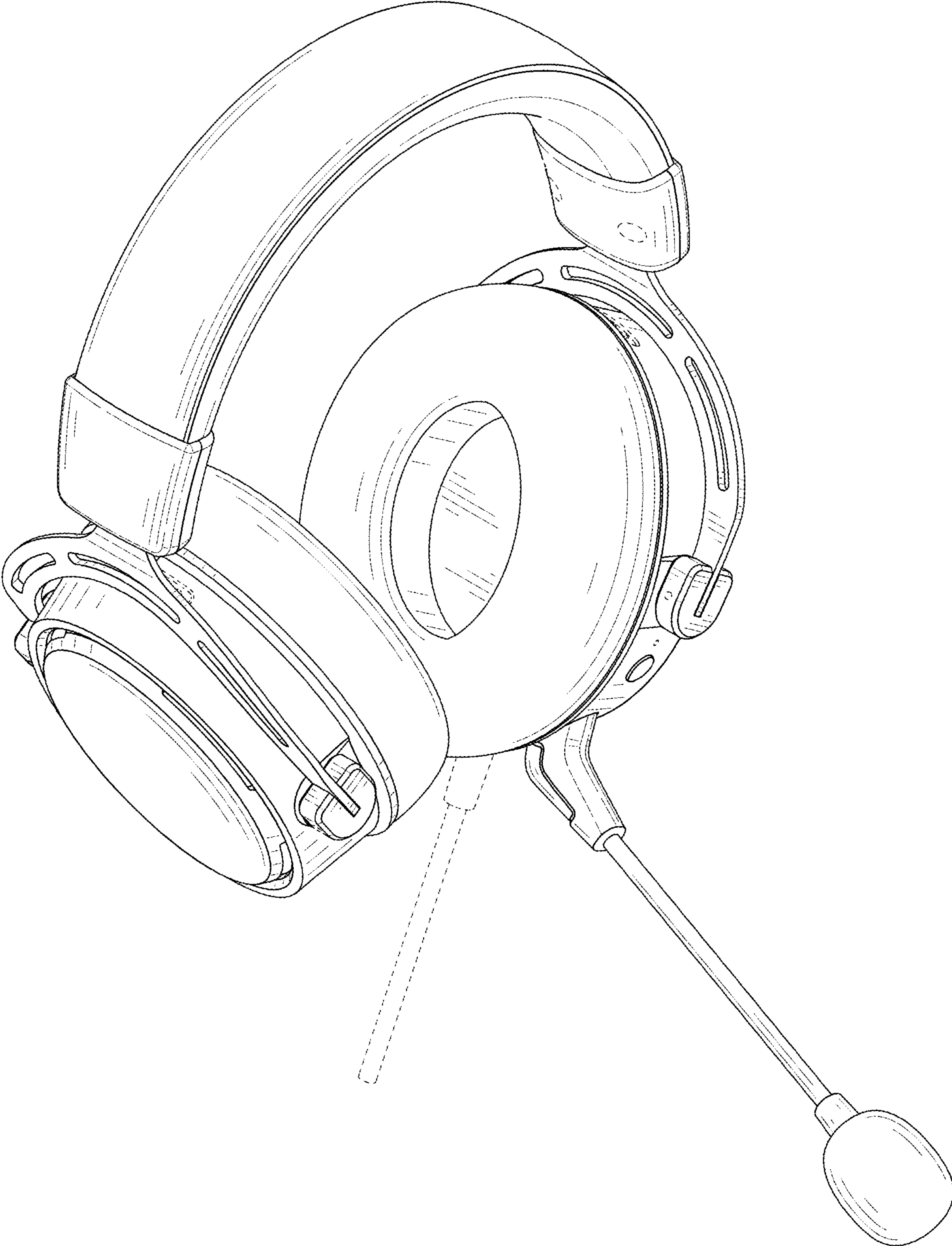


FIG. 1



FIG. 2



FIG. 3



FIG. 4

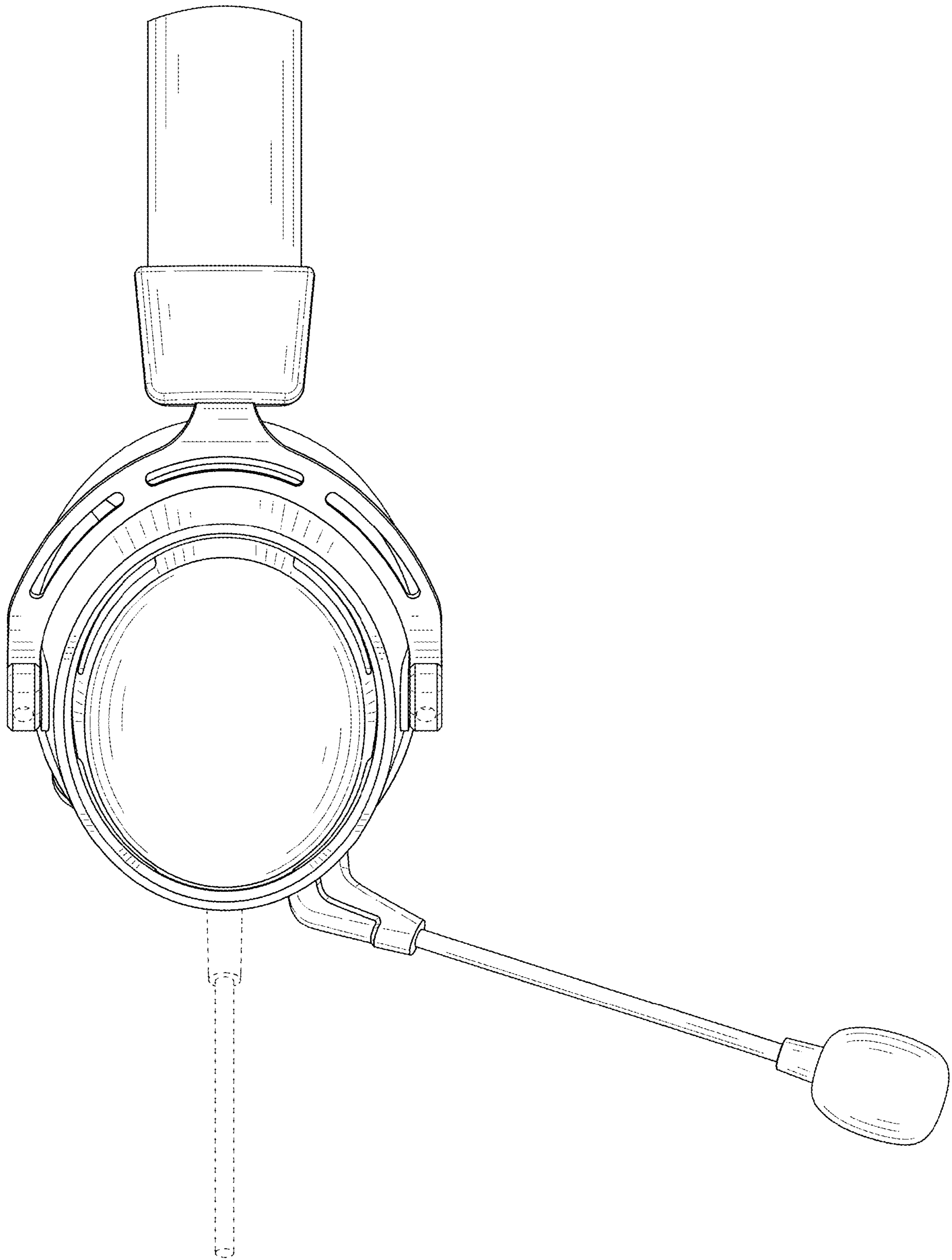


FIG. 5

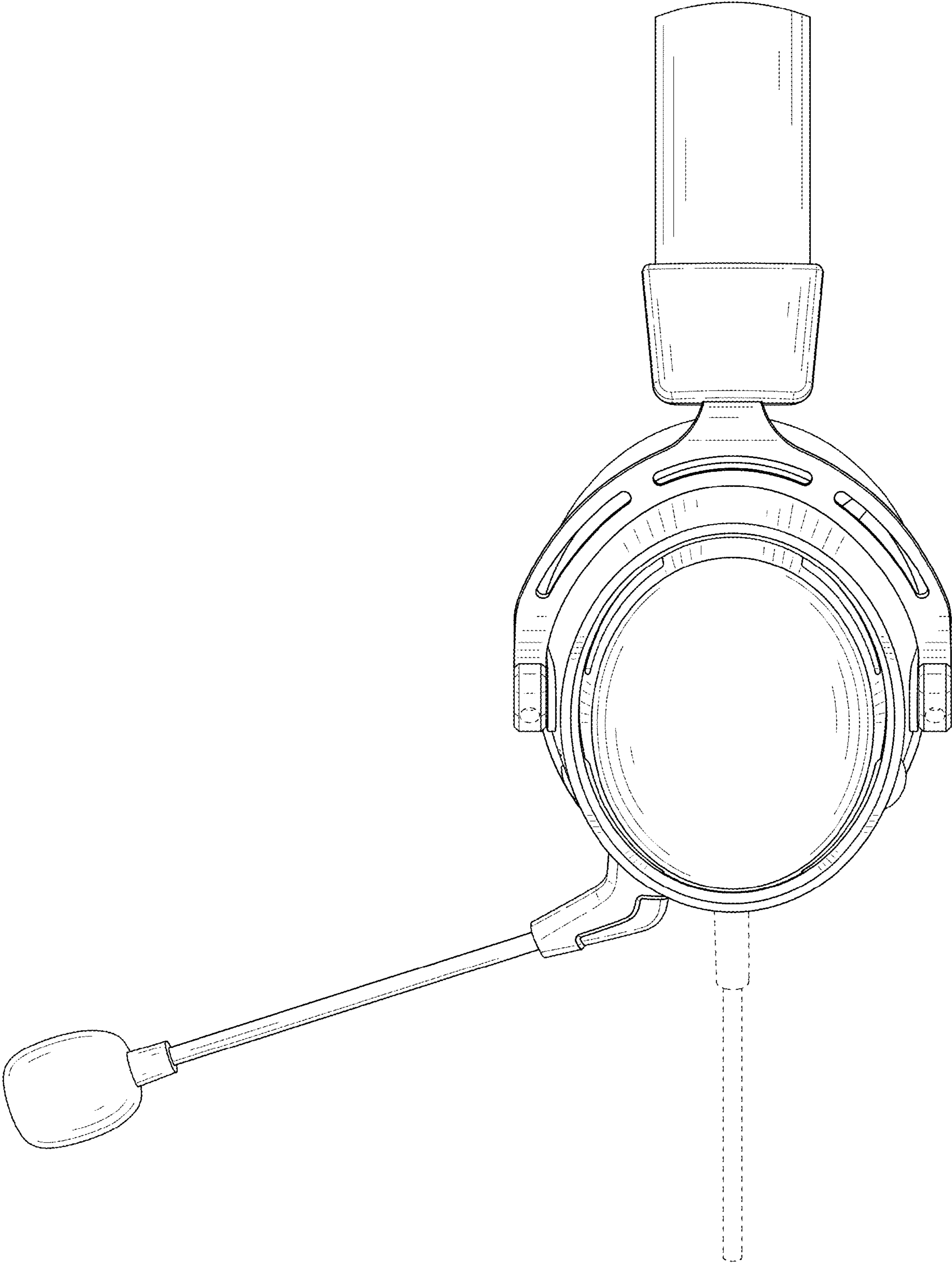


FIG. 6

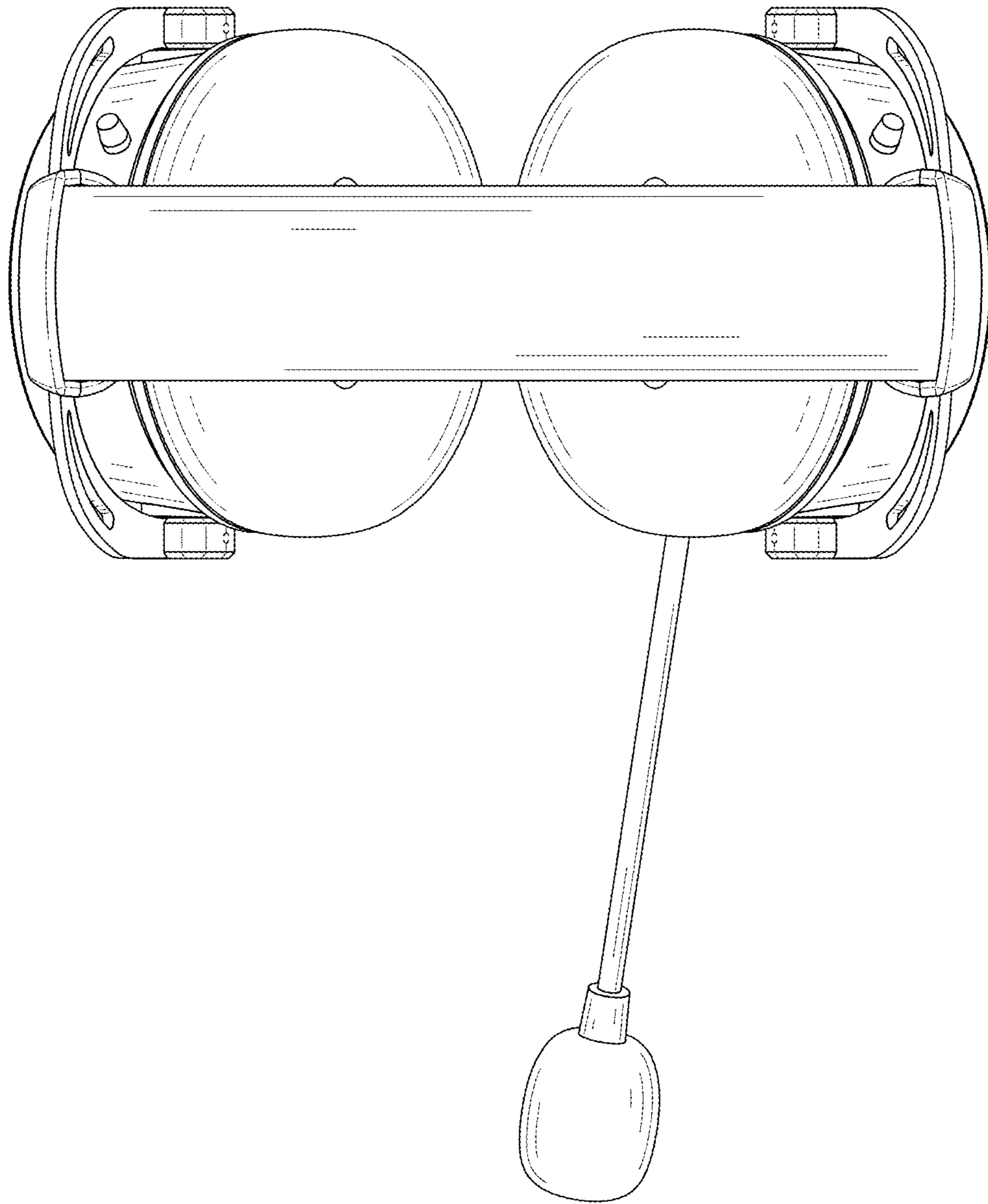


FIG. 7

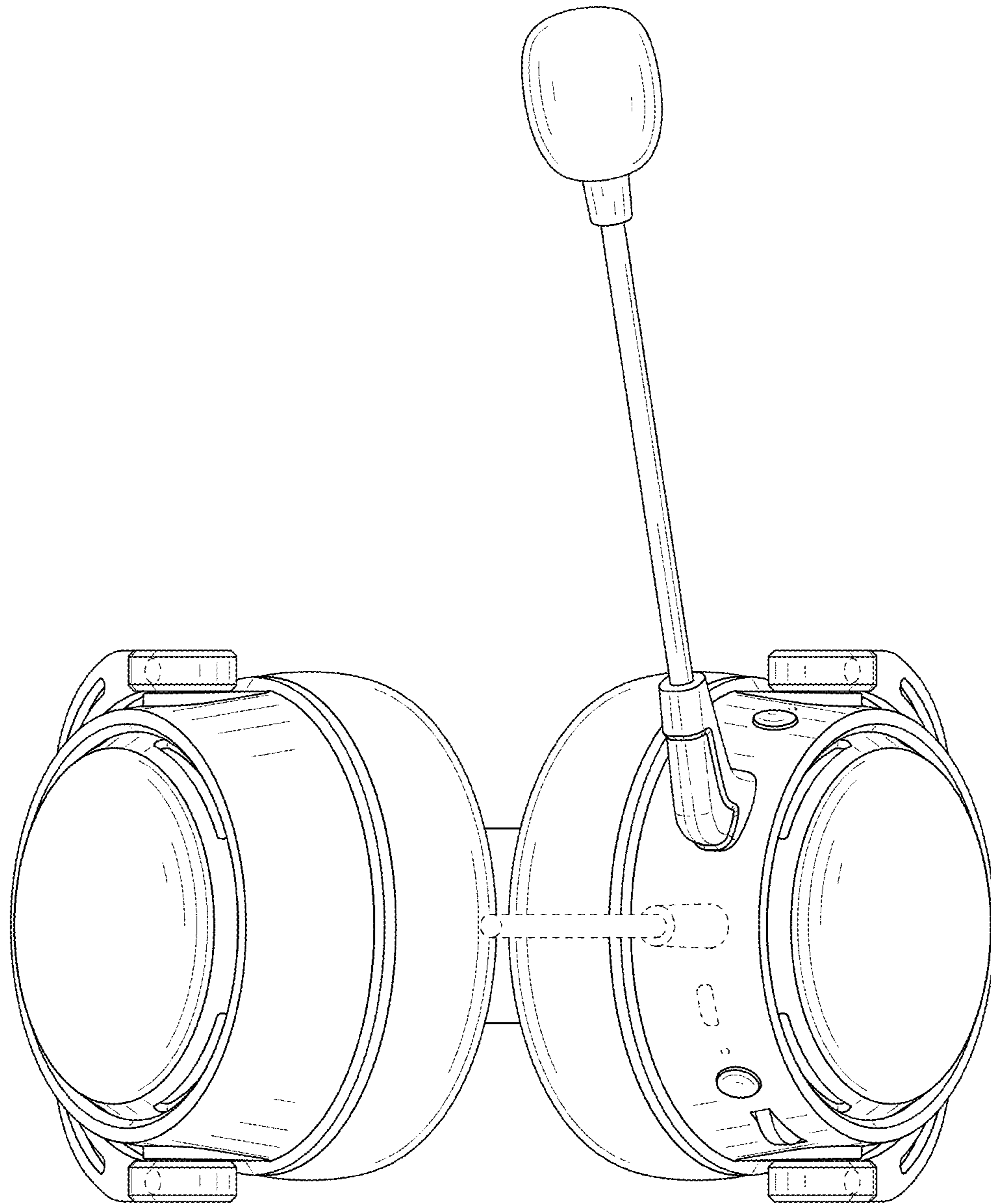


FIG. 8